



US00D922606S

(12) **United States Design Patent** (10) **Patent No.:** **US D922,606 S**  
**Oh** (45) **Date of Patent:** **\*\* Jun. 15, 2021**

(54) **CLOSURE FOR UV STERILIZER**  
(71) Applicant: **TAB Co., Ltd.**, Daejeon (KR)  
(72) Inventor: **Hwan Jong Oh**, Daejeon (KR)  
(73) Assignee: **TAB CO., LTD.**, Daejeon (KR)  
(\*\*) Term: **15 Years**

D826,370 S \* 8/2018 Sarchese ..... D23/207  
2005/0163653 A1\* 7/2005 Crawford ..... A61L 2/10  
422/24  
2014/0065013 A1\* 3/2014 Nonnenmacher ..... A61L 2/14  
422/24  
2019/0060497 A1\* 2/2019 Sharp ..... A61L 2/07  
2019/0351212 A1\* 11/2019 Dudar ..... A61L 2/186  
2020/0069932 A1\* 3/2020 Wood ..... A61L 2/26  
2020/0188823 A1\* 6/2020 Oh ..... C02F 1/002

(21) Appl. No.: **29/731,021**  
(22) Filed: **Apr. 10, 2020**

**OTHER PUBLICATIONS**

Information Disclosure Statement Transmittal Letter filed herewith,  
dated Jun. 12, 2020, 2 pages.

(30) **Foreign Application Priority Data**

\* cited by examiner

Feb. 6, 2020 (KR) ..... 30-2020-0005127

*Primary Examiner* — Anhdao Doan

(51) **LOC (13) Cl.** ..... **24-01**

(74) *Attorney, Agent, or Firm* — George C. Rondeau, Jr.;  
Davis Wright Tremaine LLP

(52) **U.S. Cl.**  
USPC ..... **D24/217**

(58) **Field of Classification Search**  
USPC ..... D24/216, 217, 218, 219, 232, 129, 224;  
D9/724, 733, 434, 435, 439, 440, 447  
CPC ... A61L 2/025; A61L 2/07; A61L 2/10; A61L  
2/18; A61L 2/24; A61L 2/26; A61L  
2202/10; A61L 2202/11; A61L 2202/14;  
A61L 2202/23; A61L 2202/24; A61L  
2202/122; A61L 2202/182; C02F 1/002;  
C02F 1/325; C02F 2307/02; C02F  
2201/005; C02F 2201/3222; C02F  
2201/3223; C02F 2201/3225

(57) **CLAIM**

The ornamental design for a closure for UV sterilizer, as  
shown and described.

See application file for complete search history.

**DESCRIPTION**

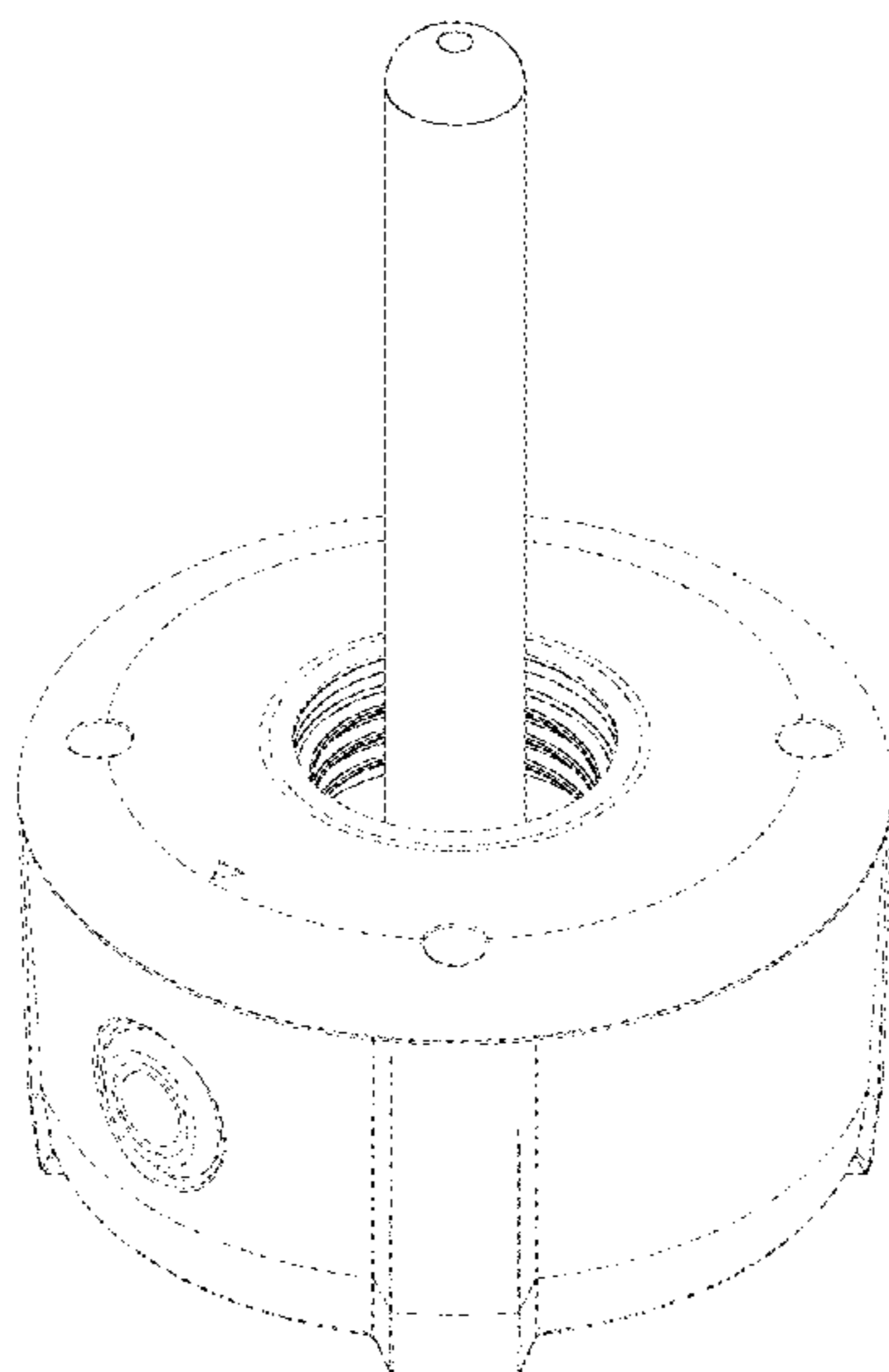
(56) **References Cited**

FIG. 1 is a top perspective view of a closure for UV sterilizer  
showing my new design.  
FIG. 2 is a front elevational view thereof.  
FIG. 3 is a rear elevational view thereof.  
FIG. 4 is a left side elevational view thereof.  
FIG. 5 is a right side elevational view thereof.  
FIG. 6 is a top plan view thereof.  
FIG. 7 is a bottom plan view thereof; and,  
FIG. 8 is a front bottom perspective view thereof showing  
the closure for UV sterilizer positioned above a bottle.  
The broken lines depict portions of the closure for UV  
sterilizer that form no part of the claimed design. The bottle  
shown in FIG. 8 represents an environment. None of the  
broken lines form part of the claimed design.

**U.S. PATENT DOCUMENTS**

D271,902 S \* 12/1983 Campton ..... D24/112  
D468,438 S \* 1/2003 Wong ..... D24/217  
D590,254 S \* 4/2009 Saraceni ..... D9/435  
D737,961 S \* 9/2015 Schultz ..... D24/129  
D787,084 S \* 5/2017 Sarchese ..... D24/217  
9,738,547 B2\* 8/2017 Schmitt ..... A61L 2/10  
D809,173 S \* 1/2018 Schneider ..... D26/51

**1 Claim, 8 Drawing Sheets**



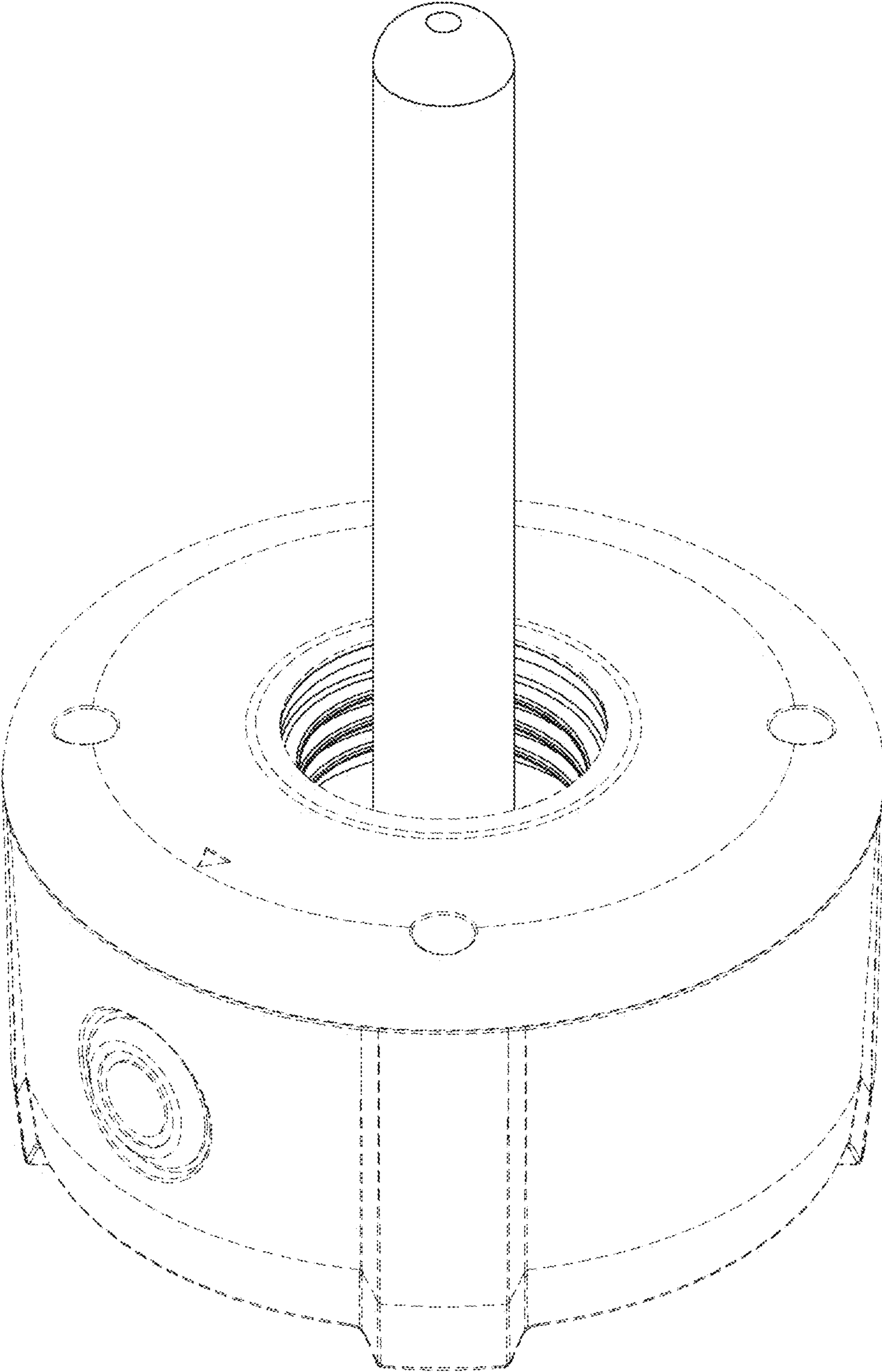


FIG. 1

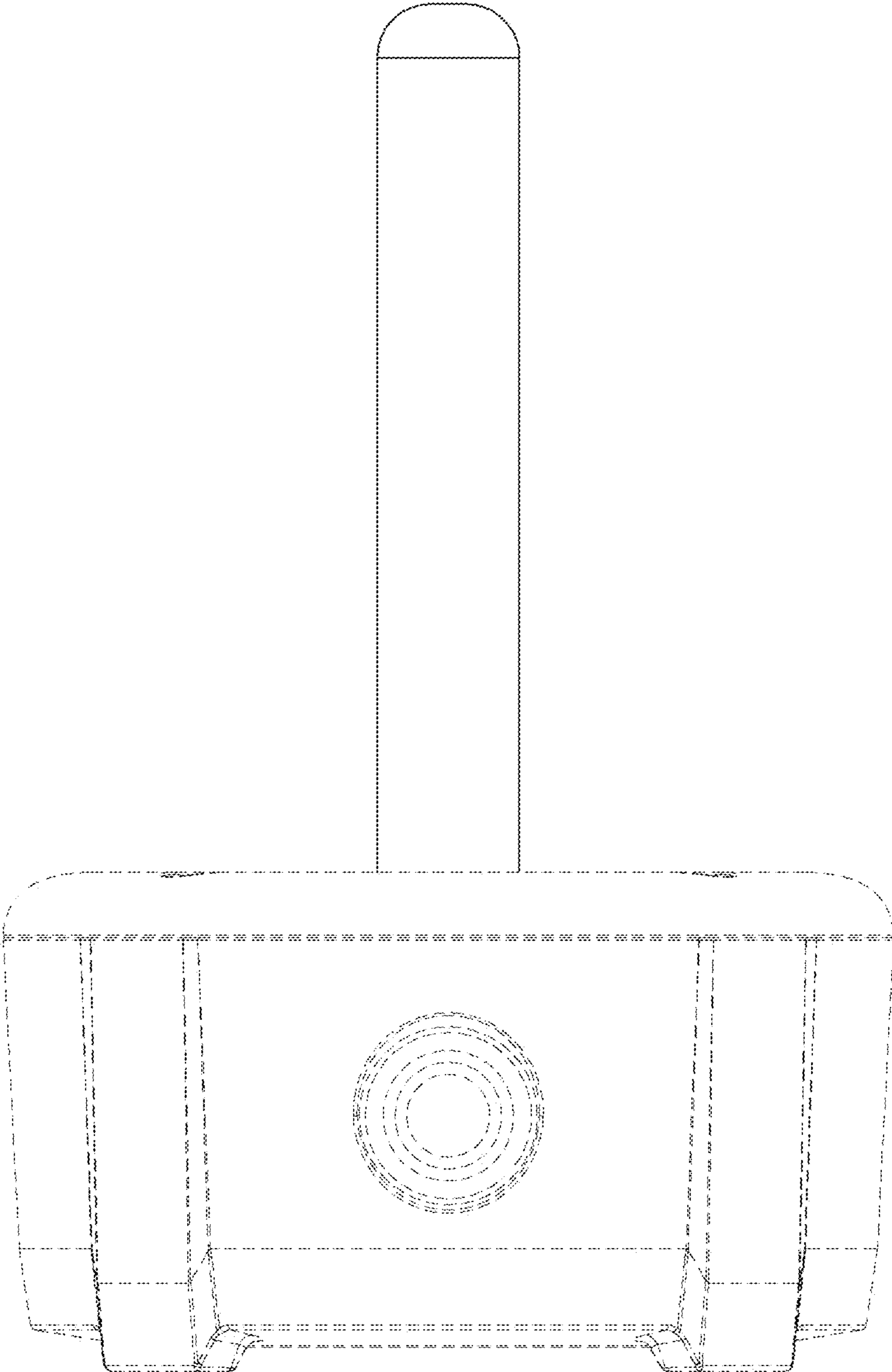


FIG. 2

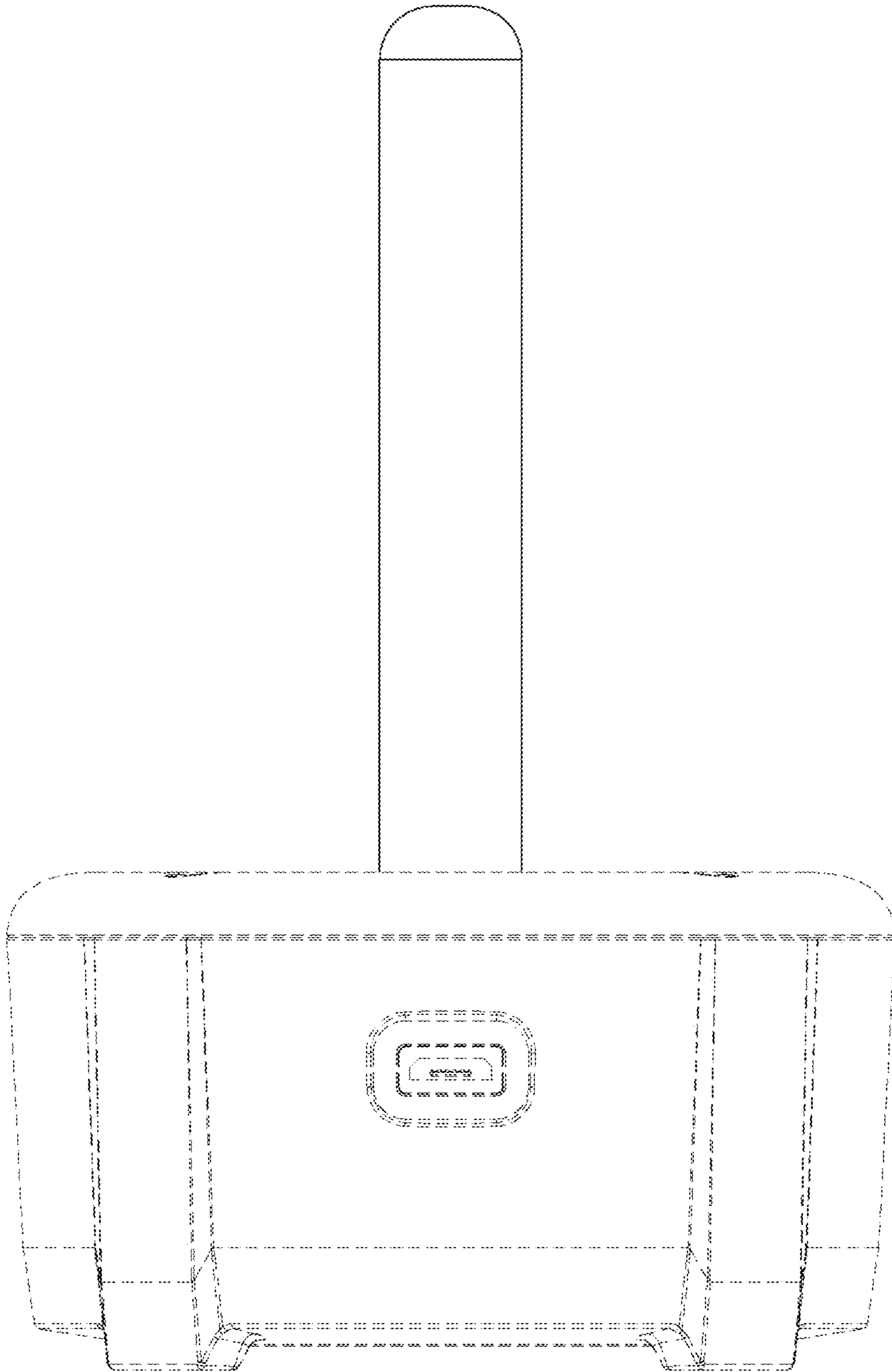


FIG. 3

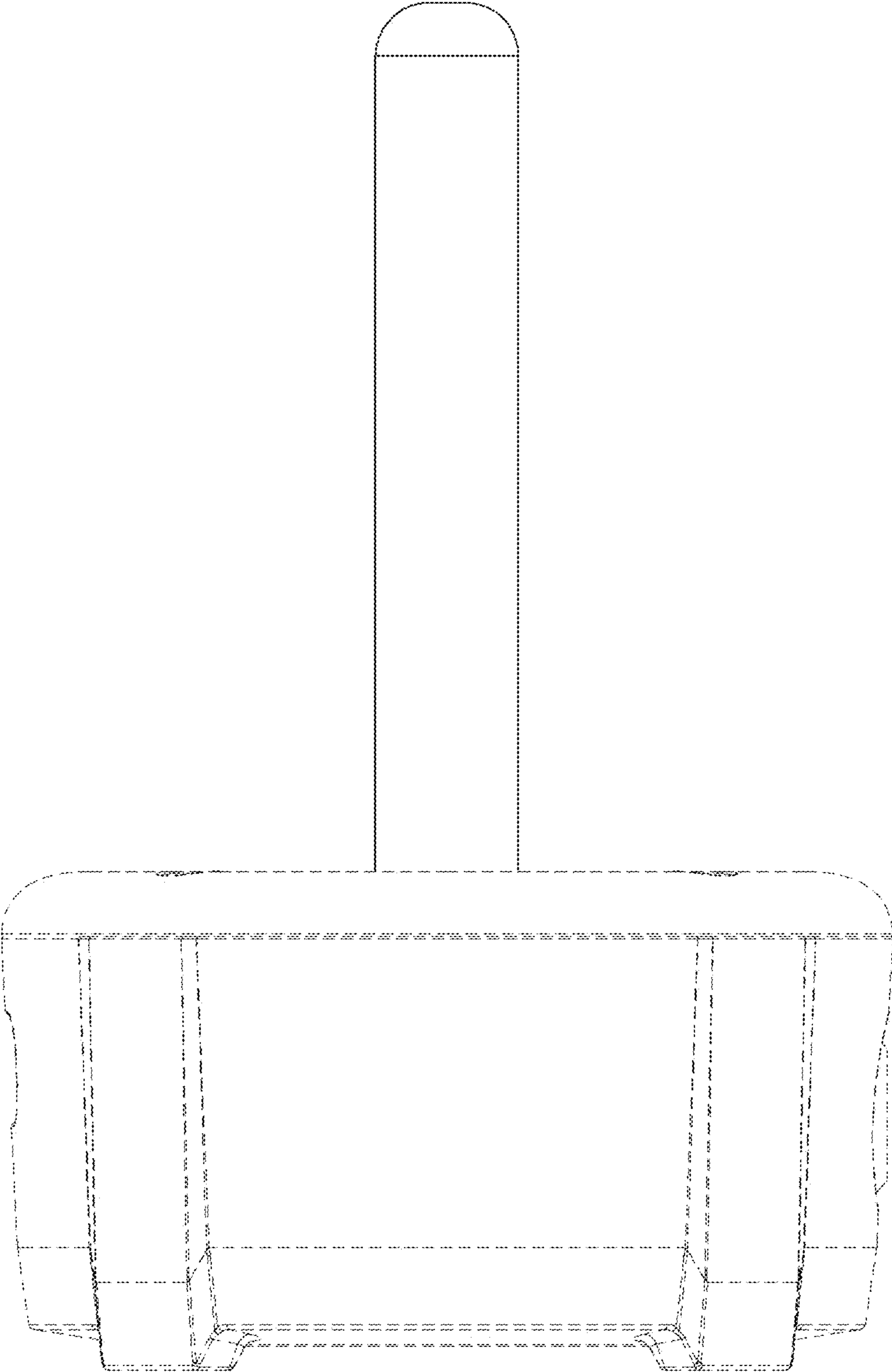


FIG. 4

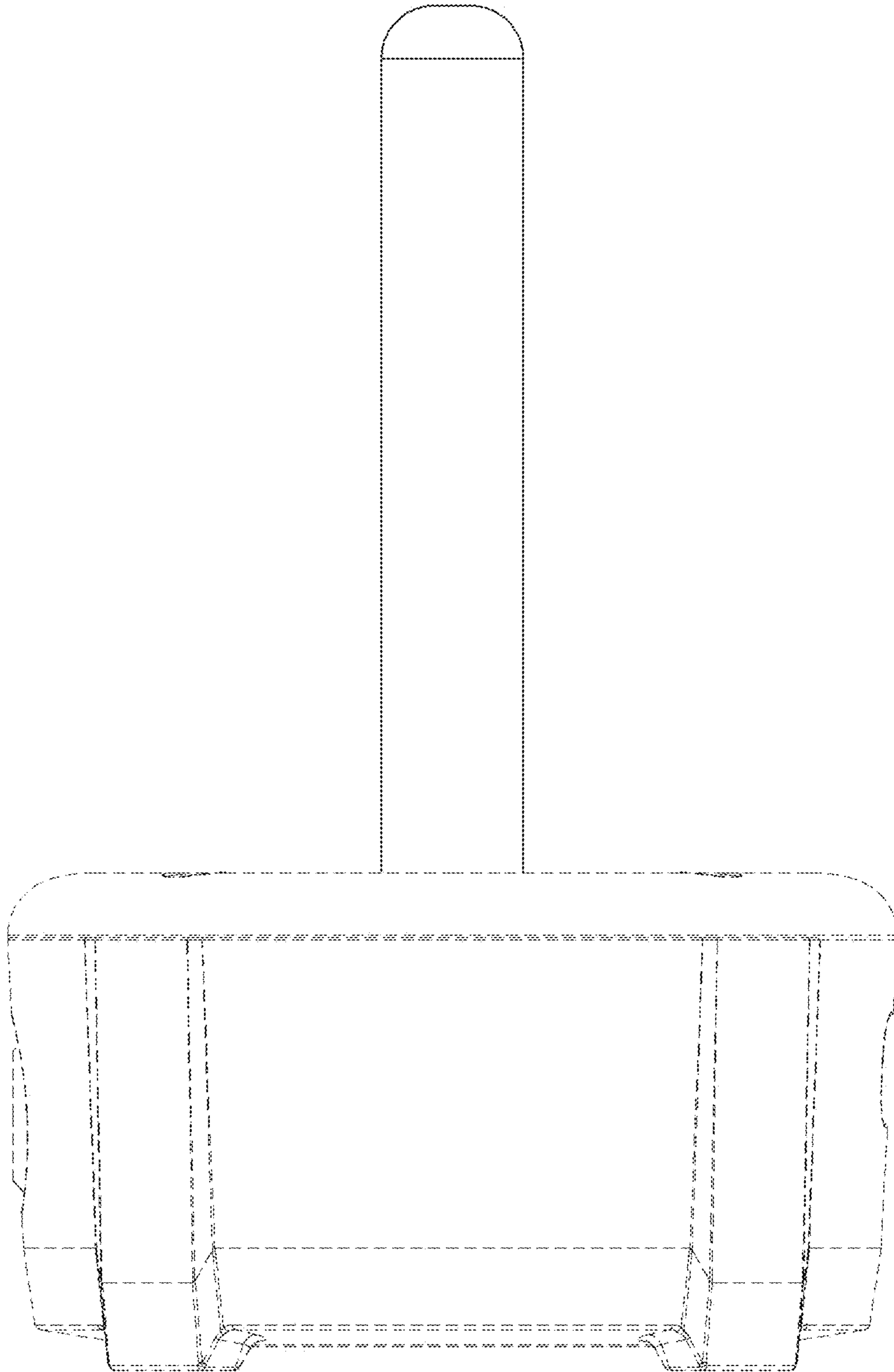


FIG. 5

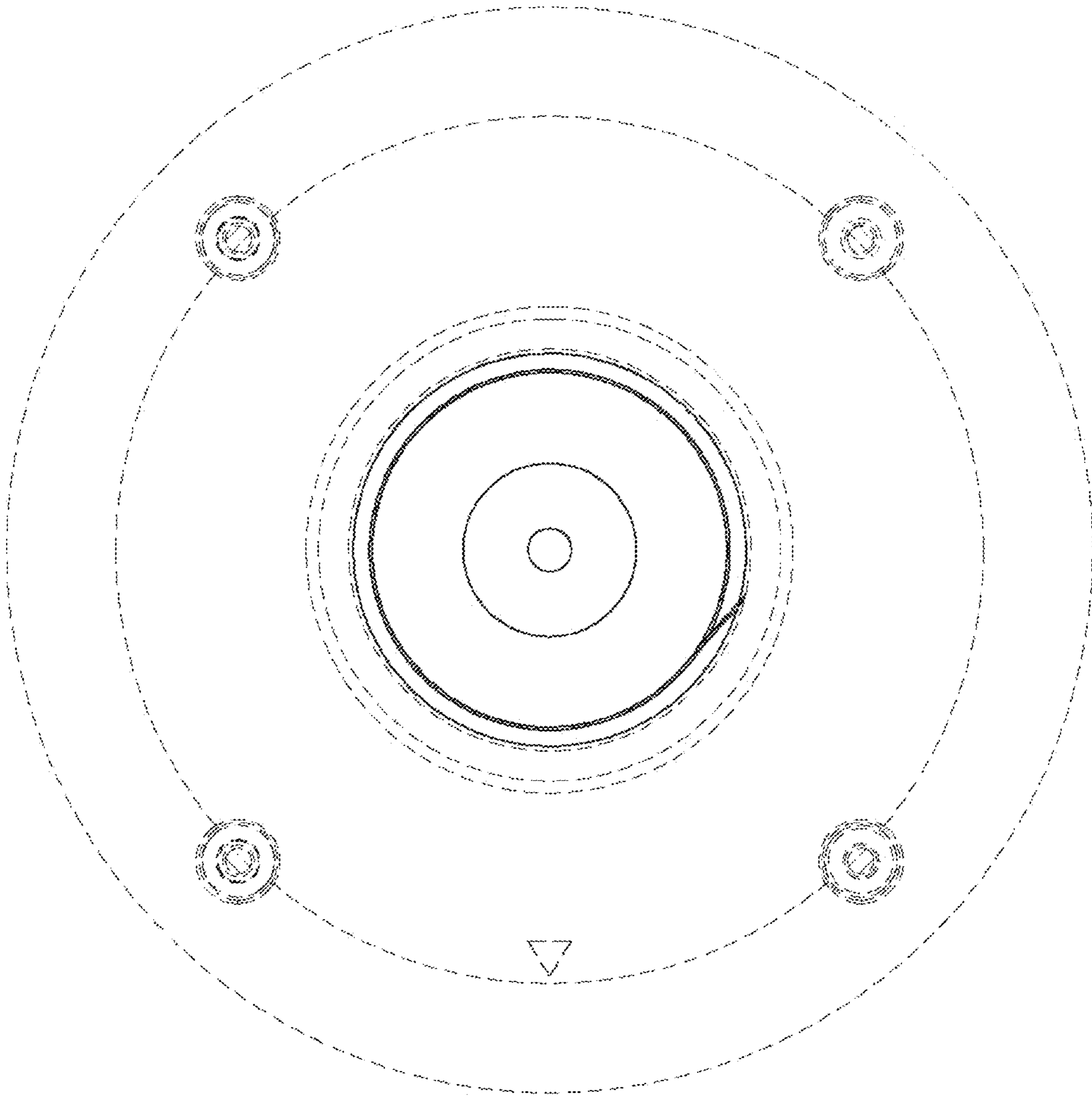


FIG. 6

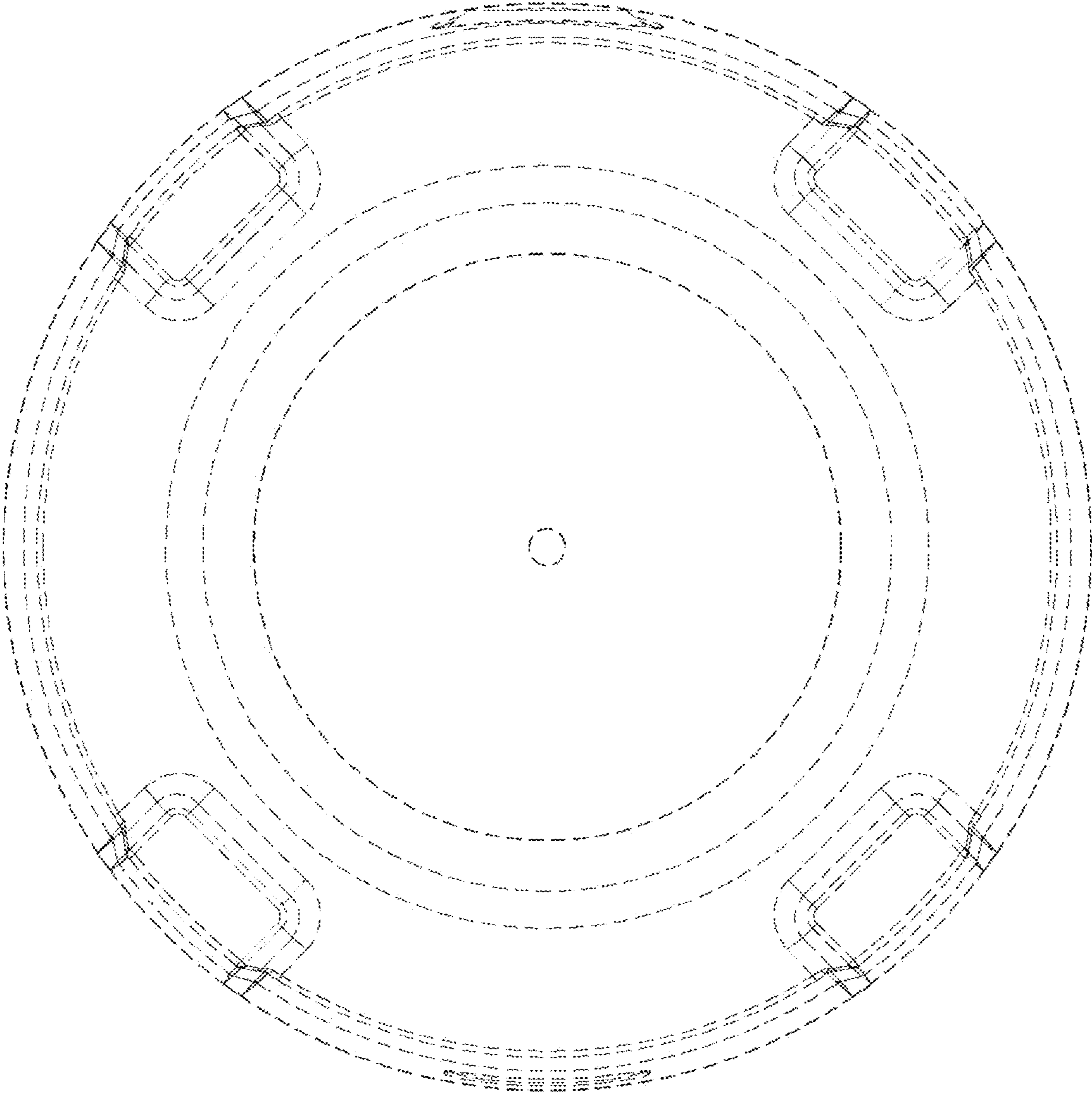


FIG. 7



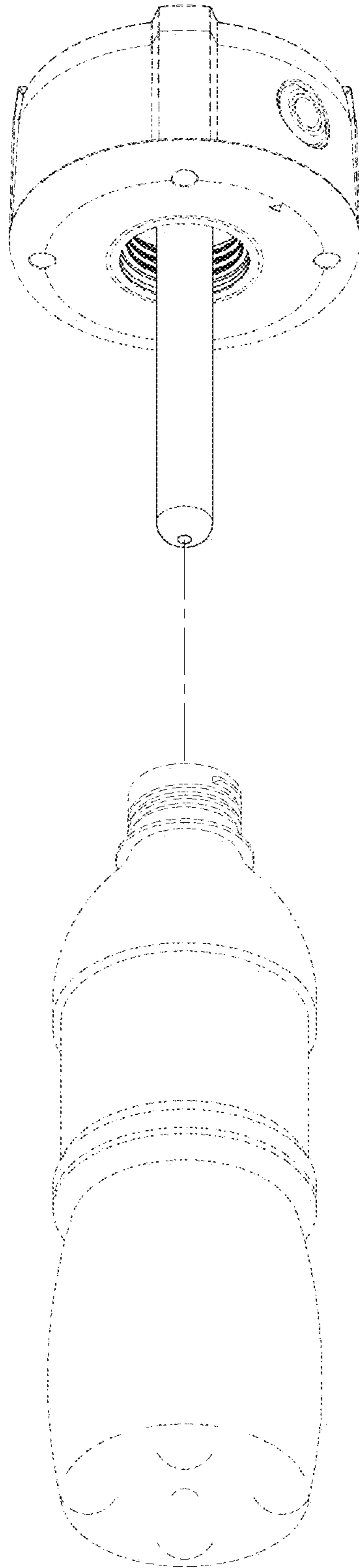


FIG. 8