

US00D922605S

(12) **United States Design Patent** (10) **Patent No.:** **US D922,605 S**
Berkeley et al. (45) **Date of Patent:** **** Jun. 15, 2021**

- (54) **MEDICAL WASTE TREATMENT DEVICE**
- (71) Applicant: **PathogenX Inc**, Pebble Beach, CA (US)
- (72) Inventors: **Charles R Berkeley**, Pebble Beach, CA (US); **Courtney E Scott**, Pebble Beach, CA (US)
- (73) Assignee: **PathogenX Inc**, Pebble Beach, CA (US)
- (**) Term: **15 Years**
- (21) Appl. No.: **29/727,994**
- (22) Filed: **Mar. 16, 2020**
- (51) **LOC (13) Cl.** **24-01**
- (52) **U.S. Cl.**
USPC **D24/217**
- (58) **Field of Classification Search**
USPC D24/107, 216, 217, 218, 231, 232, 234, D24/131; D32/1
CPC ... A61L 2/025; A61L 2/07; A61L 2/10; A61L 2/18; A61L 2/24; A61L 2/26; A61L 2202/10; A61L 2202/11; A61L 2202/14; A61L 2202/23; A61L 2202/24; A61L 2202/122; A61L 2202/182
See application file for complete search history.

- D703,343 S * 4/2014 Biswas D24/217
- D776,293 S * 1/2017 Cerasi D24/217
- D807,504 S 1/2018 Pena et al.
- D824,533 S * 7/2018 Shimobayashi D24/217
- D908,238 S * 1/2021 Cavada, Jr. D24/217
- 2003/0000530 A1 1/2003 McDonald et al.
- 2007/0224077 A1 9/2007 Cox et al.
- 2012/0001003 A1 1/2012 Davis

(Continued)

FOREIGN PATENT DOCUMENTS

- CN 304359506 S 11/2017
- CN 2019140462 B 8/2019

(Continued)

OTHER PUBLICATIONS

Notice of Allowance Taiwan Appl. No. 109303459 filed Jun. 29, 2020.

Primary Examiner — Anhdao Doan

(74) *Attorney, Agent, or Firm* — Thomas F. Woolf

(57) **CLAIM**

The ornamental design for a medical waste treatment device, as shown and described.

DESCRIPTION

FIG. 1 is a front perspective view of a medical waste treatment device showing our new design; FIG. 2 is a front elevational view thereof; FIG. 3 is a rear elevational view thereof; FIG. 4 is a left side elevational view thereof; FIG. 5 is a right side elevational view thereof; FIG. 6 is a top plan view thereof; and, FIG. 7 is a bottom plan view thereof.

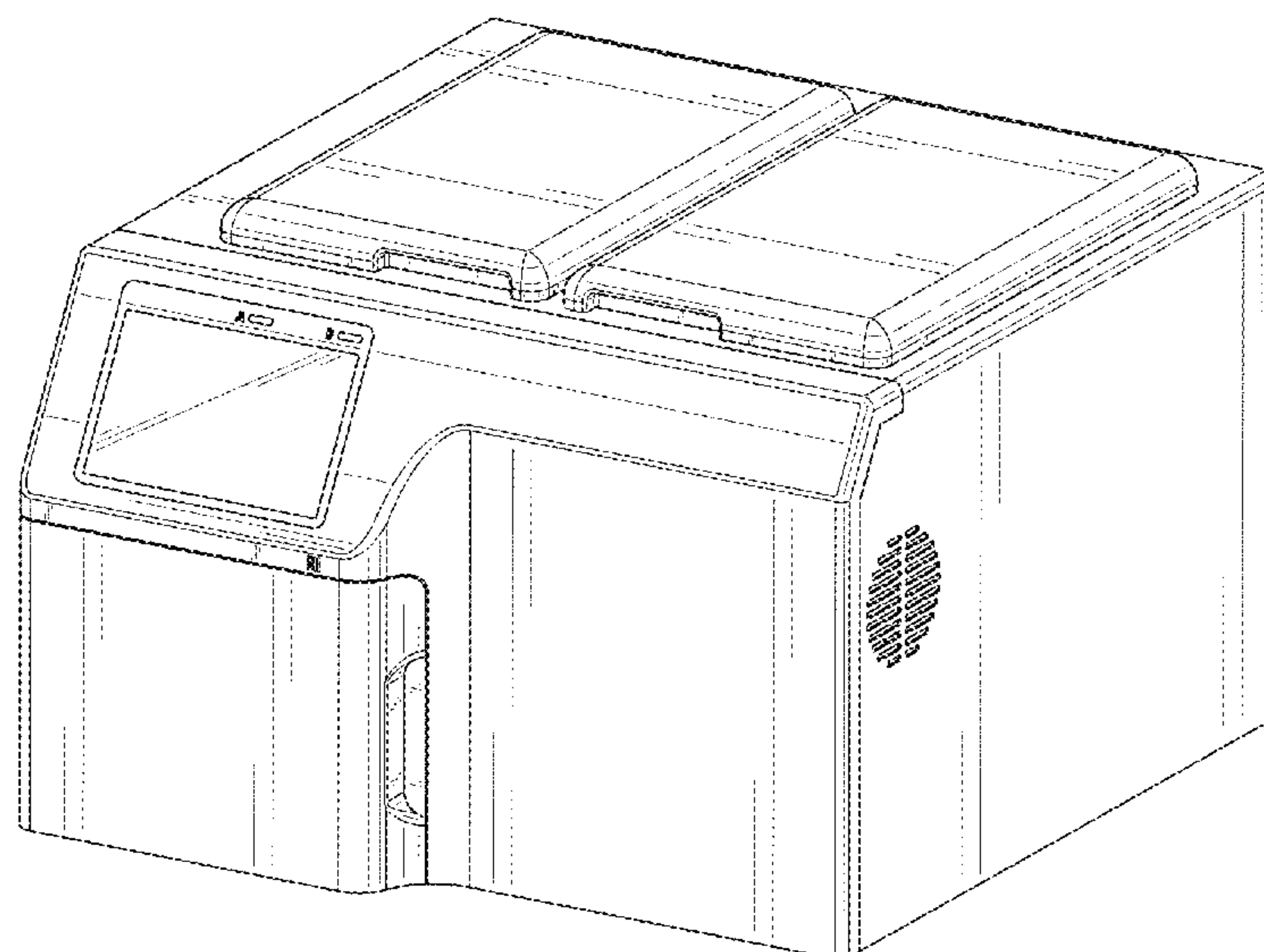
The portions of the medical waste treatment device shown in broken lines depict unclaimed portions of the medical waste treatment device only and form no part of the claimed design.

1 Claim, 7 Drawing Sheets

(56) **References Cited**

U.S. PATENT DOCUMENTS

- D319,309 S * 8/1991 Taylor D24/217
- D404,827 S * 1/1999 Thoburn D24/217
- 5,972,291 A 10/1999 Healy et al.
- D433,147 S * 10/2000 Florkey D24/217
- D538,436 S * 3/2007 Patadia D24/217
- 7,195,743 B2 3/2007 Butler
- D546,473 S * 7/2007 Xu D24/217
- D560,814 S * 1/2008 Briussel D24/217
- 7,373,903 B2 5/2008 Kojima et al.
- D688,839 S * 8/2013 Helm D32/1



(56)

References Cited

U.S. PATENT DOCUMENTS

2017/0202987 A1* 7/2017 Kishishita A61L 2/07
2020/0324007 A1* 10/2020 Lucio A61L 2/202

FOREIGN PATENT DOCUMENTS

EP	3369491	A1	9/2018
JP	D1280562	S	9/2006
TW	D180370		1/2017
WO	2007111918	A2	10/2007
WO	2011072136	A2	6/2011
WO	2011075129	A1	6/2011
WO	2013108411	A1	7/2013
WO	2016028593	A1	2/2016

* cited by examiner

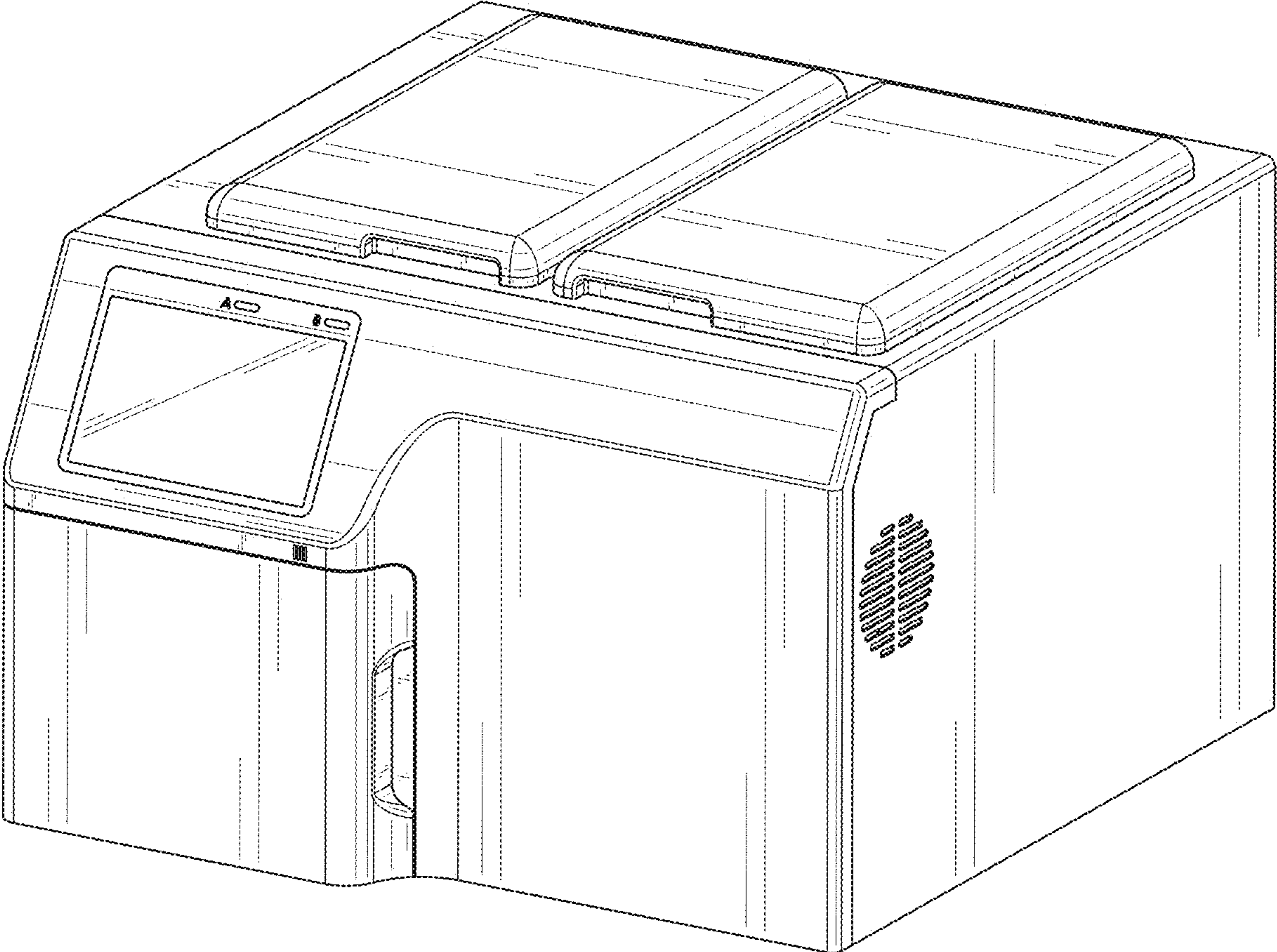


FIG. 1

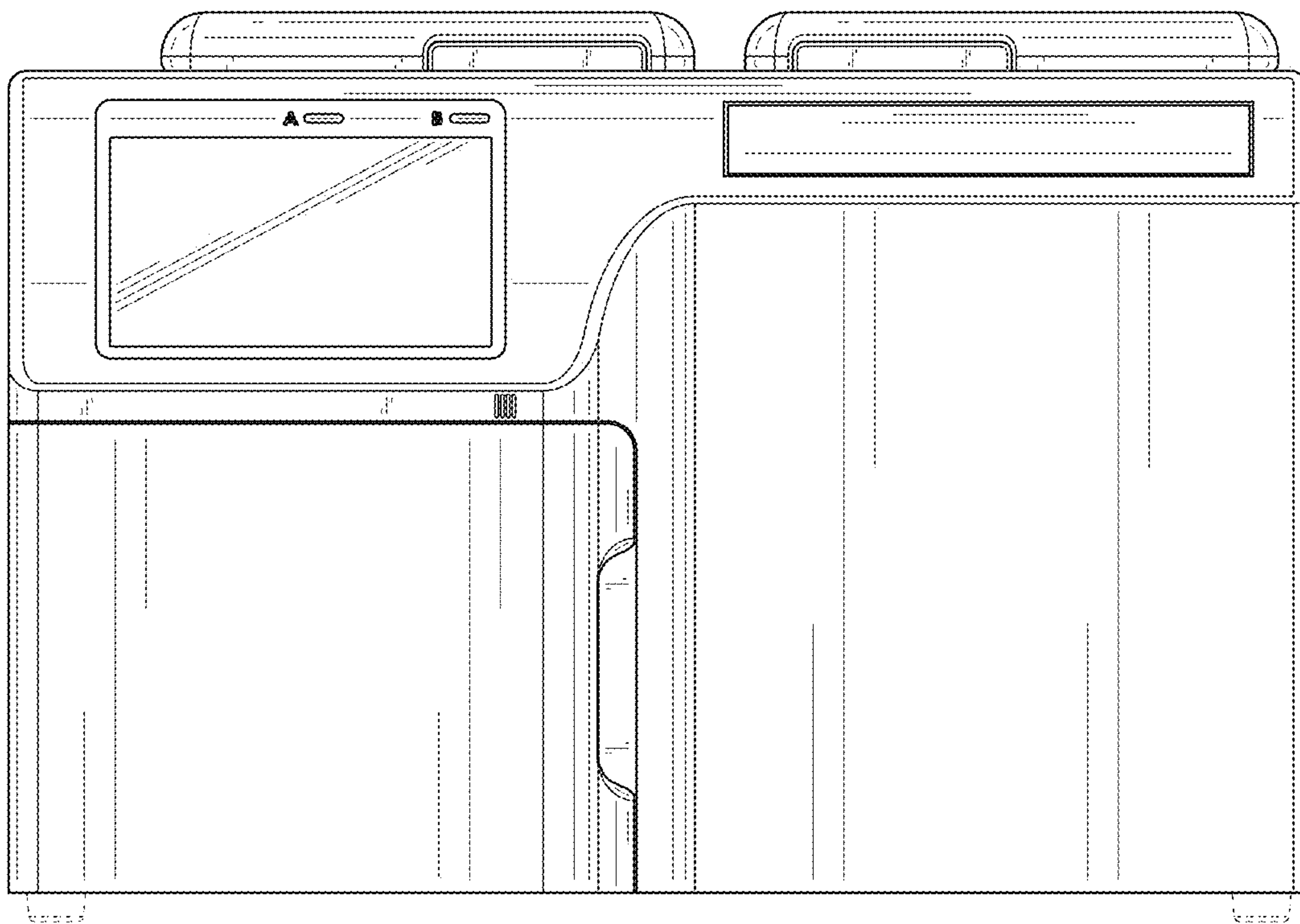


FIG. 2

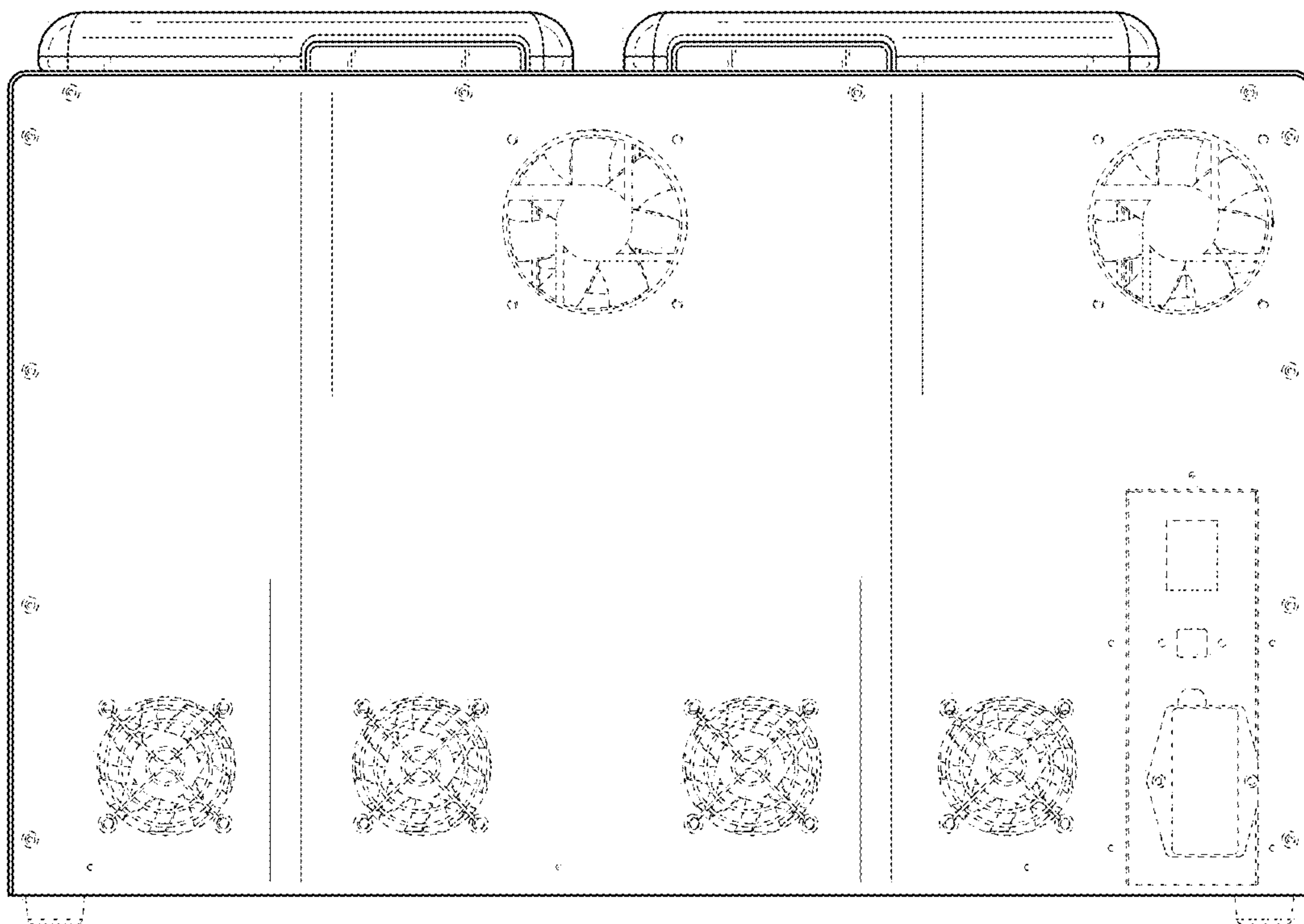


FIG. 3

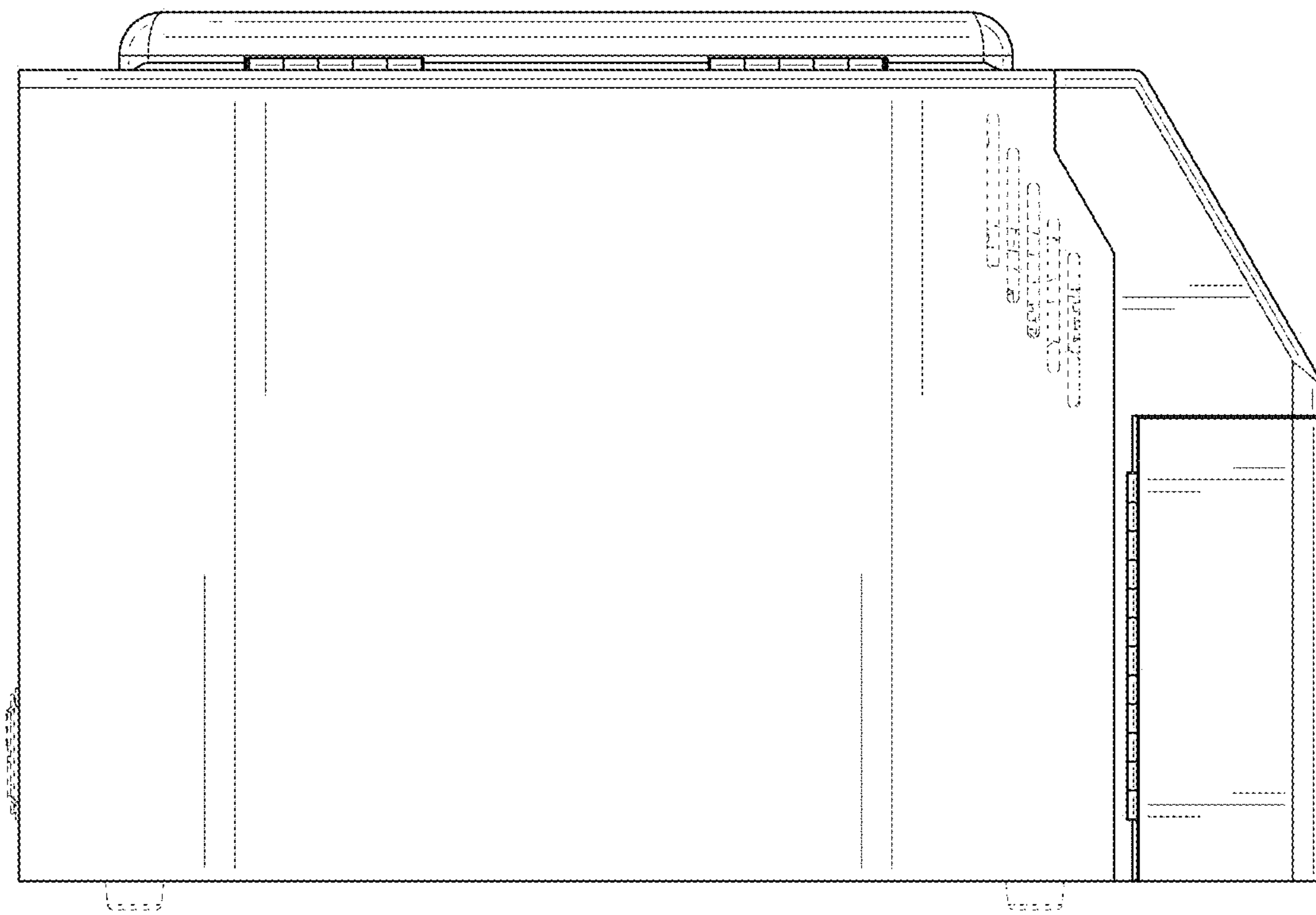


FIG. 4

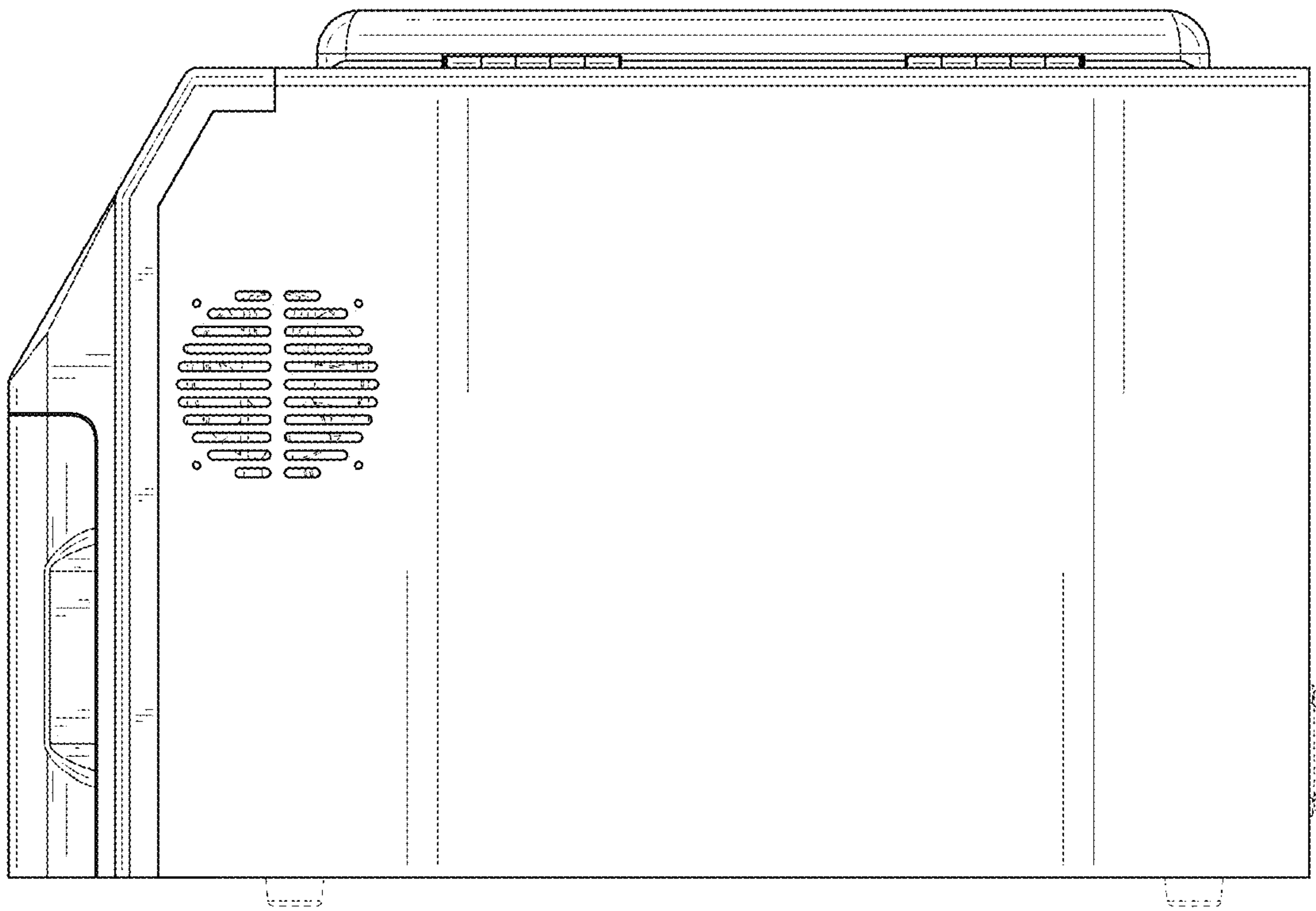


FIG. 5

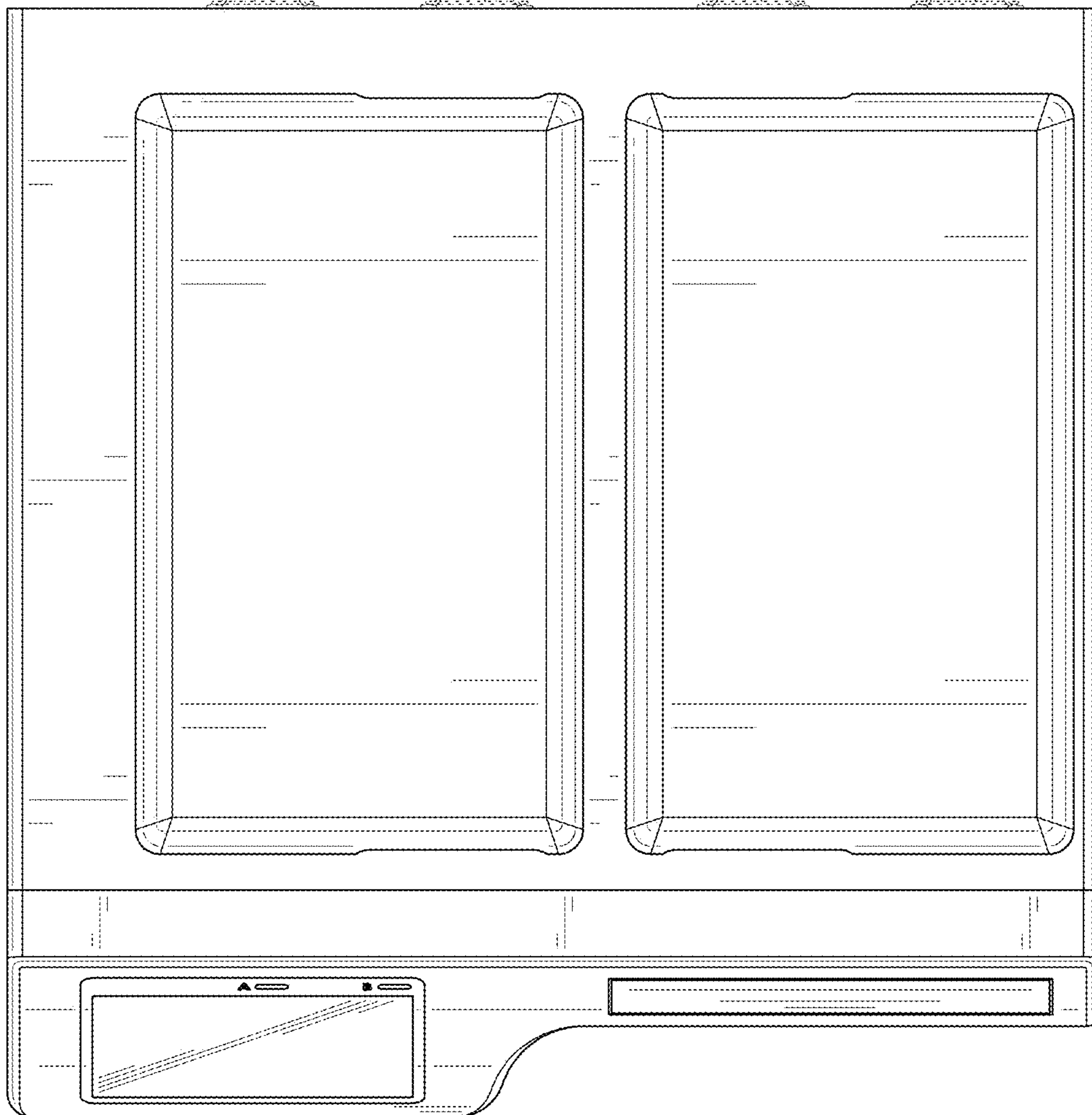


FIG. 6

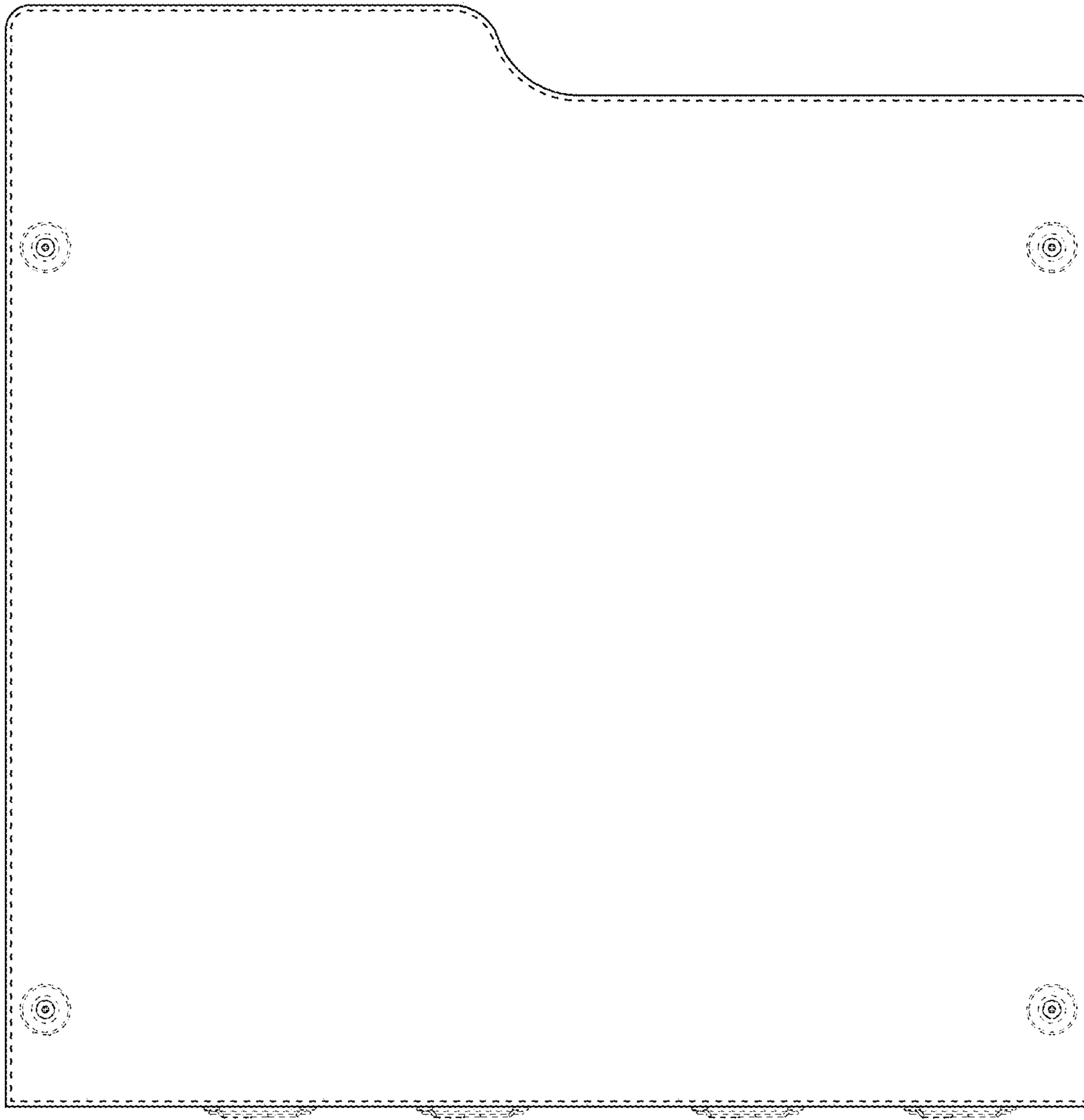


FIG. 7