



US00D922604S

(12) **United States Design Patent** (10) **Patent No.:** **US D922,604 S**
Oh (45) **Date of Patent:** **** Jun. 15, 2021**

(54) **CAP FOR ULTRAVIOLET STERILIZER**

(71) Applicant: **Hwan Jong Oh**, Daejeon (KR)

(72) Inventor: **Hwan Jong Oh**, Daejeon (KR)

(**) Term: **15 Years**

(21) Appl. No.: **29/716,102**

(22) Filed: **Dec. 6, 2019**

(30) **Foreign Application Priority Data**

Sep. 9, 2019 (KR) 30-2019-0043431

(51) **LOC (13) Cl.** **24-01**

(52) **U.S. Cl.**
USPC **D24/217**

(58) **Field of Classification Search**
USPC D24/216, 217, 218, 219, 232, 129, 224;
D9/724, 733, 434, 435, 439, 440, 447
CPC ... A61L 2/025; A61L 2/07; A61L 2/10; A61L
2/18; A61L 2/24; A61L 2/26; A61L
2202/10; A61L 2202/11; A61L 2202/14;
A61L 2202/23; A61L 2202/24; A61L
2202/122; A61L 2202/182; C02F 1/002;
C02F 1/325; C02F 2307/02; C02F
2201/005; C02F 2201/3222; C02F
2201/3223; C02F 2201/3225

See application file for complete search history.

(56) **References Cited**

U.S. PATENT DOCUMENTS

D271,902 S * 12/1983 Campton D24/112
D468,438 S * 1/2003 Wong D24/217
D590,254 S * 4/2009 Saraceni D9/435
D737,961 S * 9/2015 Schultz D24/129
D787,084 S * 5/2017 Sarchese D24/217
9,738,547 B2 * 8/2017 Schmitt A61L 2/10
D809,173 S * 1/2018 Schneider D26/51
D826,370 S * 8/2018 Sarchese D23/207

2005/0163653 A1* 7/2005 Crawford A61L 2/10
422/24
2014/0065013 A1* 3/2014 Nonnenmacher A61L 2/14
422/24
2019/0060497 A1* 2/2019 Sharp A61L 2/07
2019/0351212 A1* 11/2019 Dudar A61L 2/186
2020/0069932 A1* 3/2020 Wood A61L 2/26
2020/0188823 A1* 6/2020 Oh C02F 1/002

OTHER PUBLICATIONS

Information Disclosure Statement Transmittal Letter filed herewith,
dated Jun. 12, 2020, 2 pages.

* cited by examiner

Primary Examiner — Anhdao Doan

(74) *Attorney, Agent, or Firm* — George C. Rondeau, Jr.;
Davis Wright Tremaine LLP

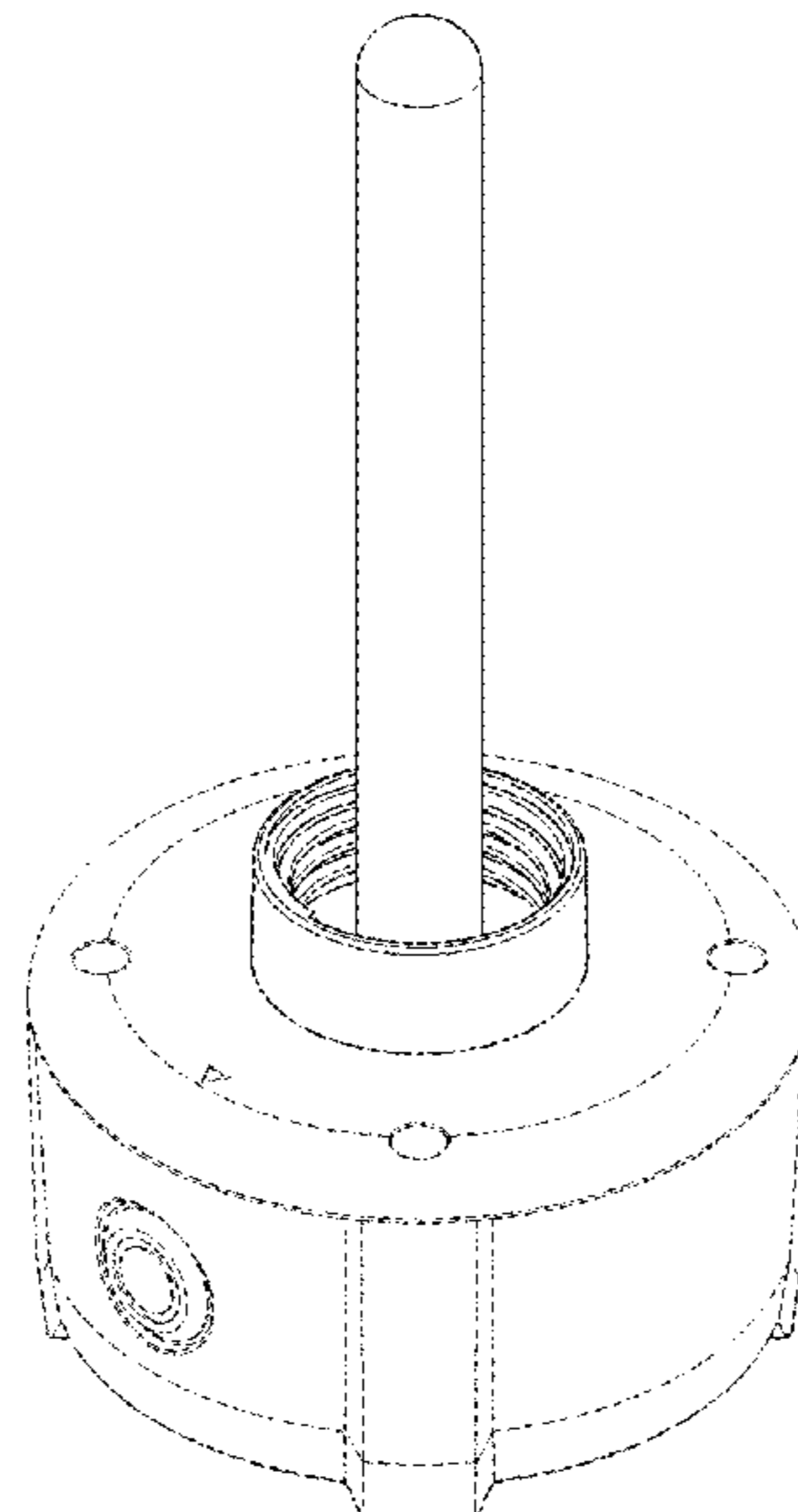
(57) **CLAIM**

The ornamental design for a cap for ultraviolet sterilizer, as
shown and described.

DESCRIPTION

FIG. 1 is a top perspective view of a cap for ultraviolet
sterilizer showing my new design.
FIG. 2 is a front elevational view thereof.
FIG. 3 is a rear elevational view thereof.
FIG. 4 is a left side elevational view thereof.
FIG. 5 is a right side elevational view thereof.
FIG. 6 is a top plan view thereof.
FIG. 7 is a bottom plan view thereof; and,
FIG. 8 is a front bottom perspective view thereof showing
the cap for ultraviolet sterilizer positioned above a bottle.
The broken lines depict portions of the cap for ultraviolet
sterilizer that form no part of the claimed design. The bottle
shown in FIG. 8 represents an environment. The dash-dot-
dash lines represent the bounds of the claim. None of the
broken lines form part of the claimed design.

1 Claim, 7 Drawing Sheets



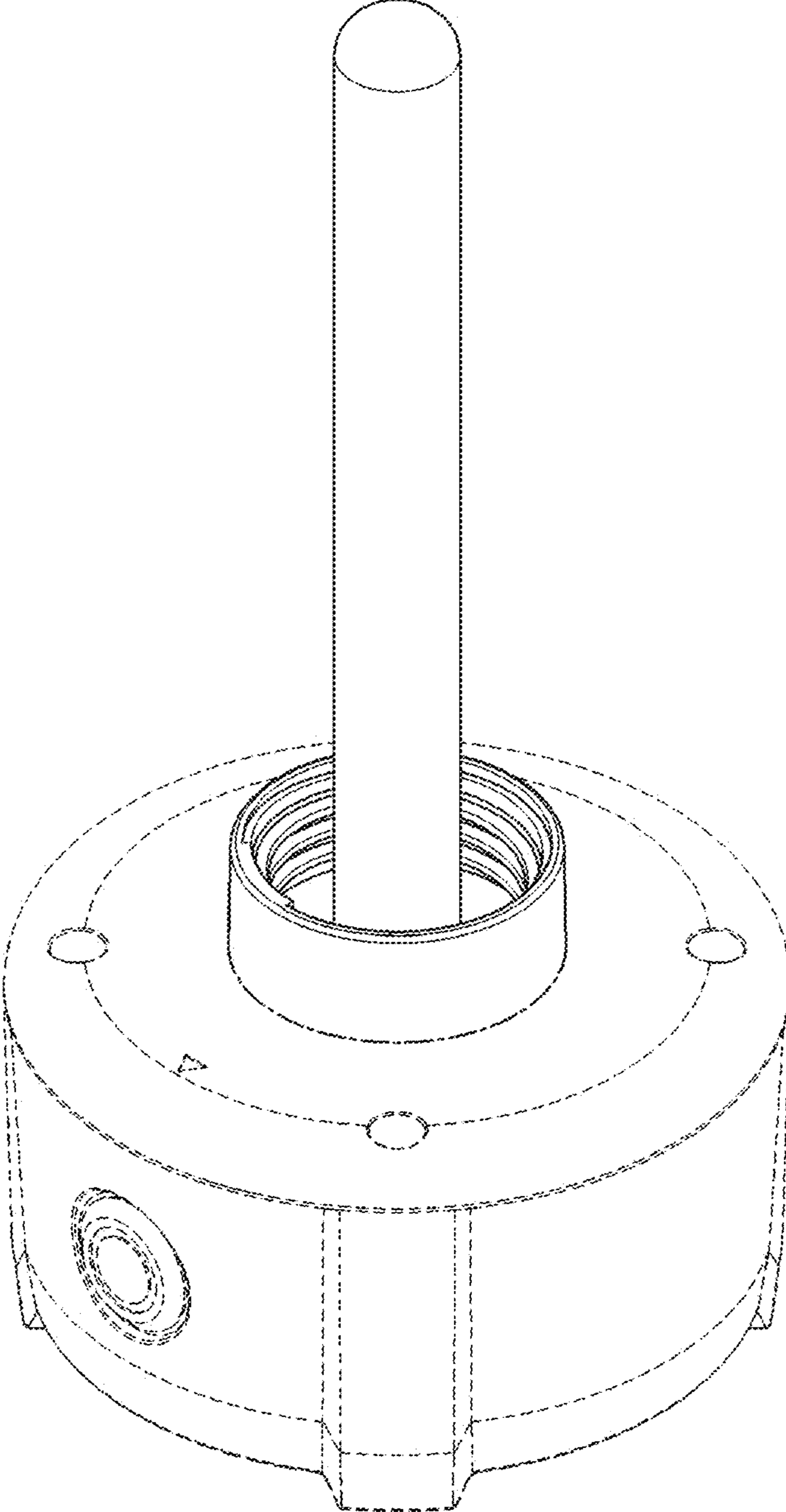


FIG. 1

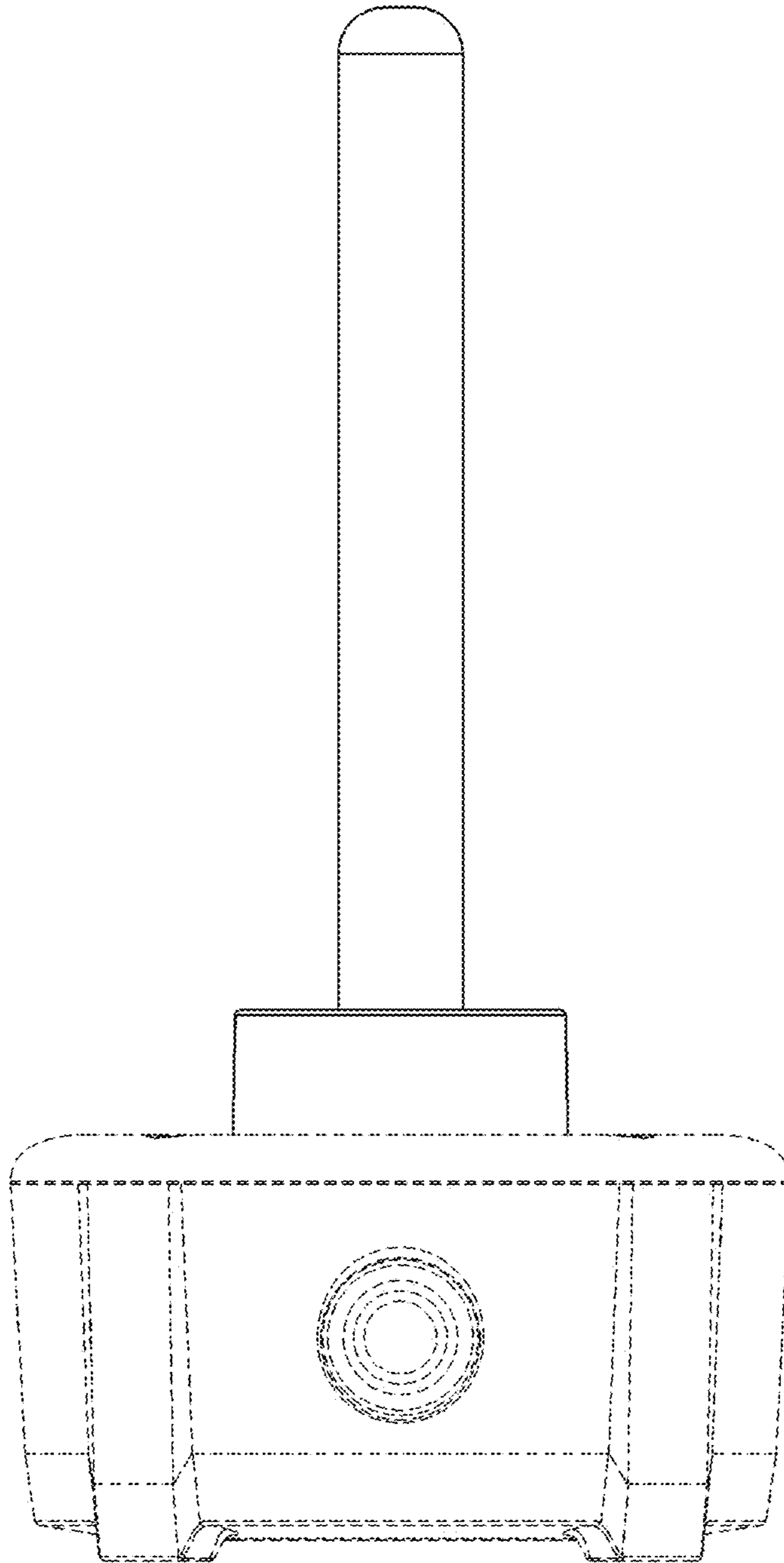


FIG. 2

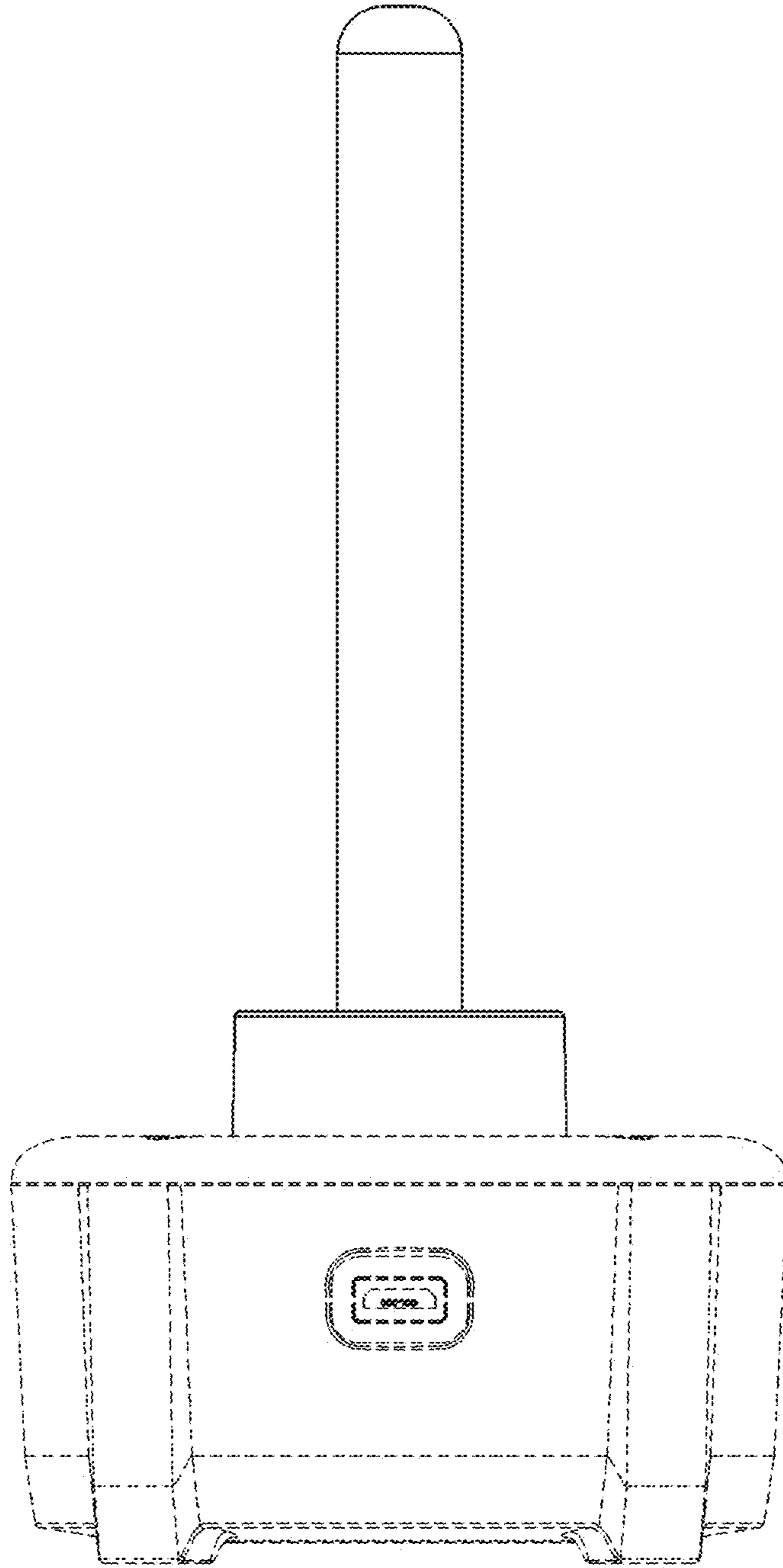


FIG. 3

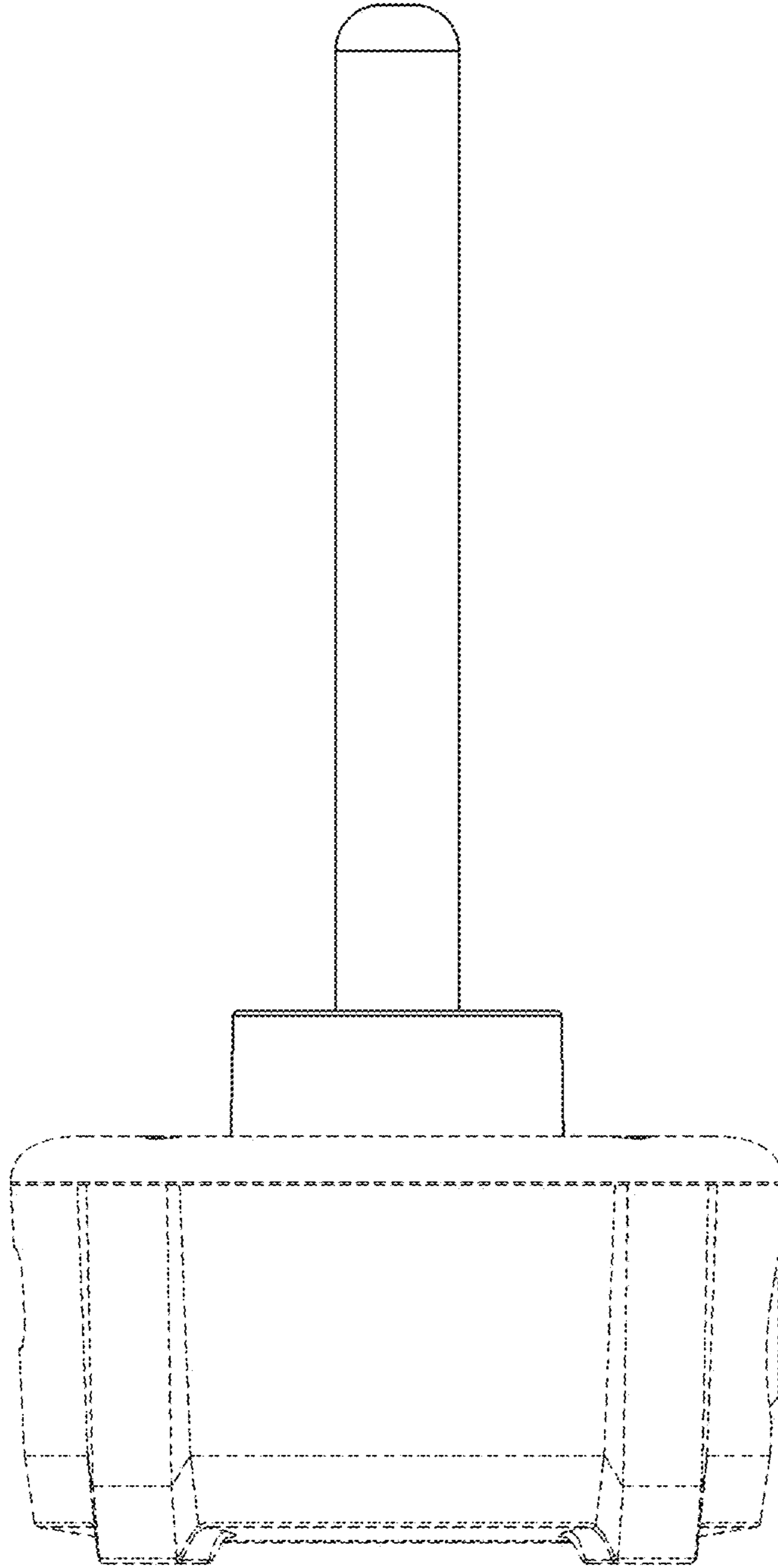


FIG. 4

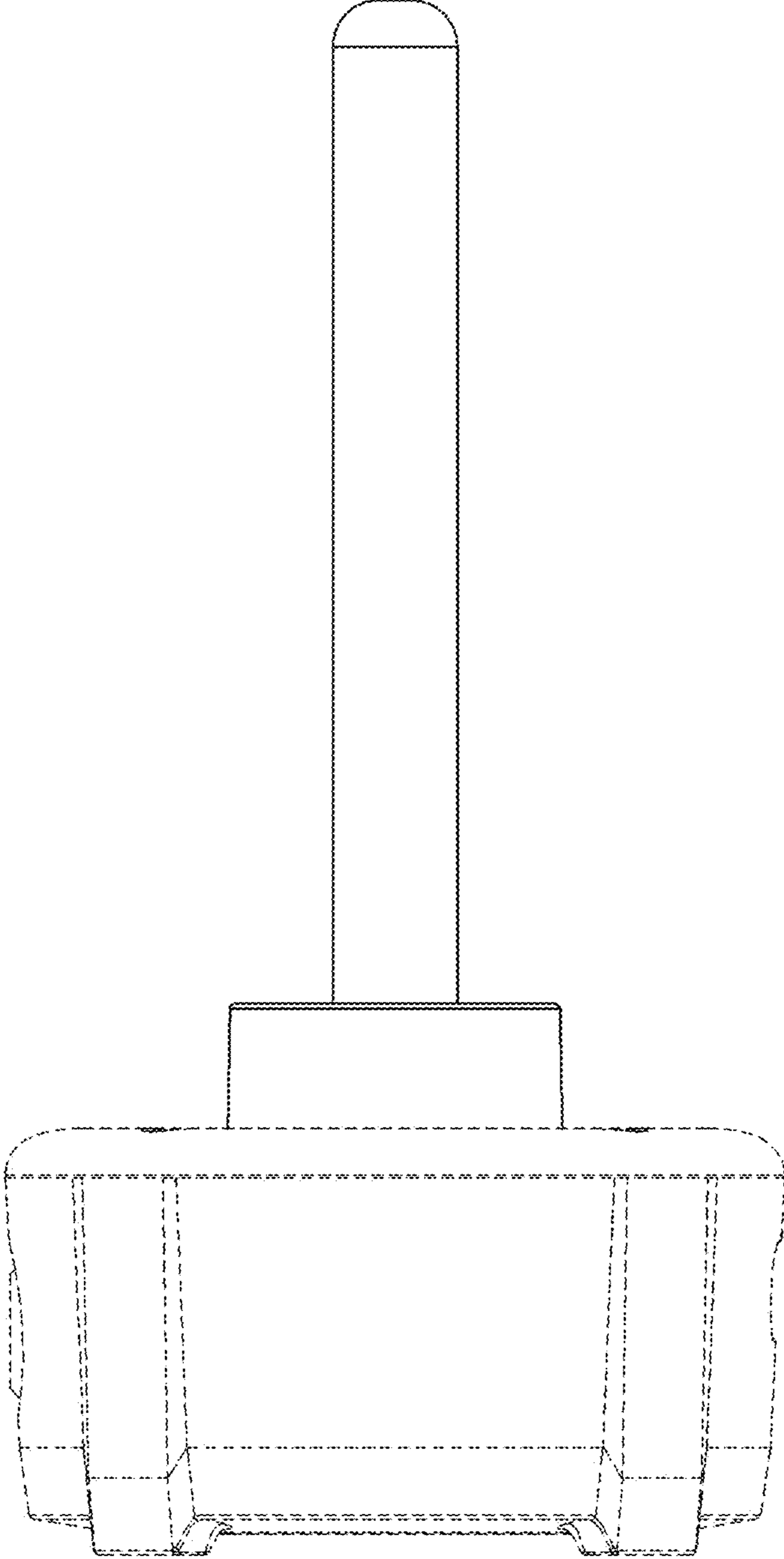


FIG. 5

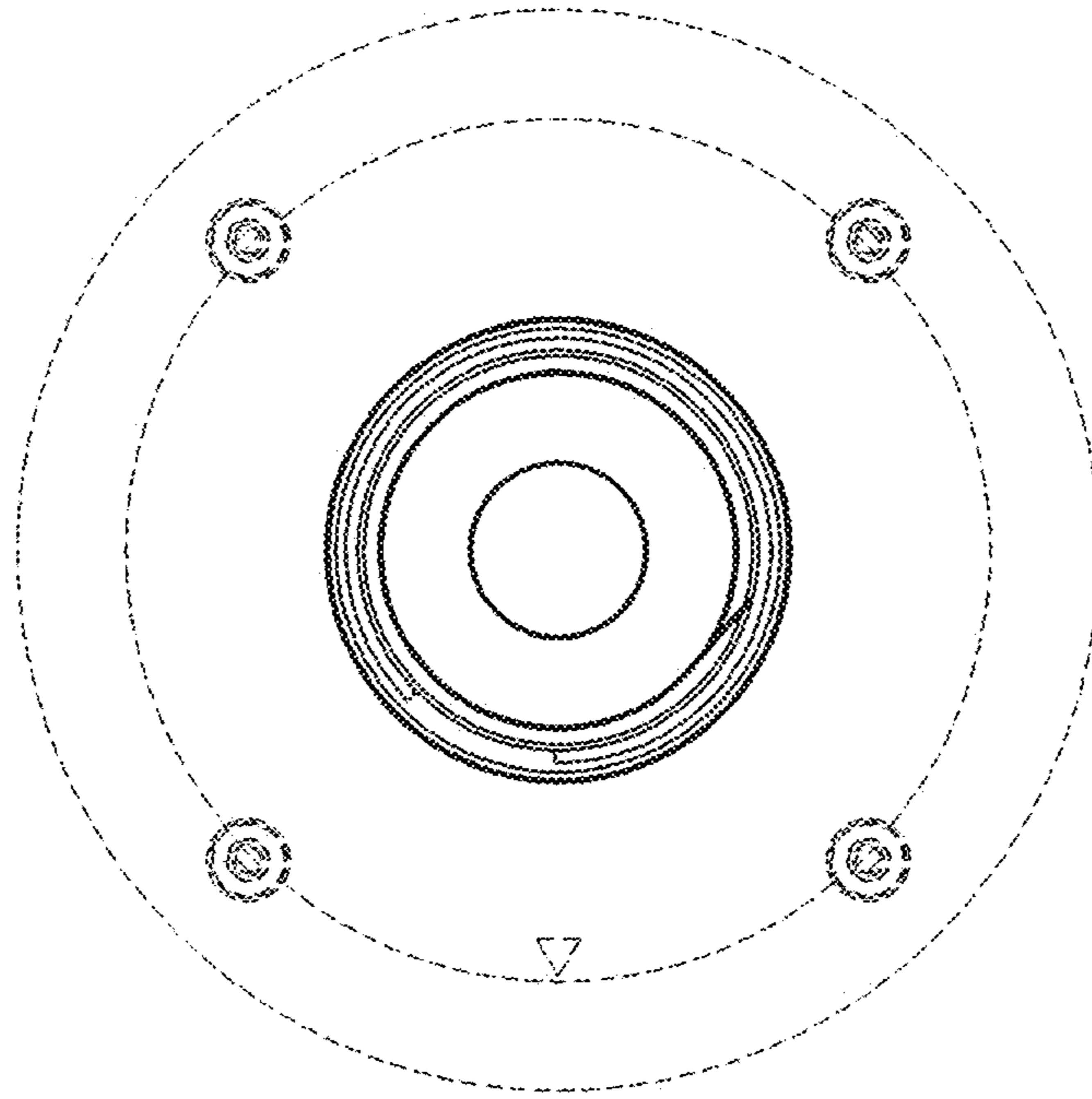


FIG. 6

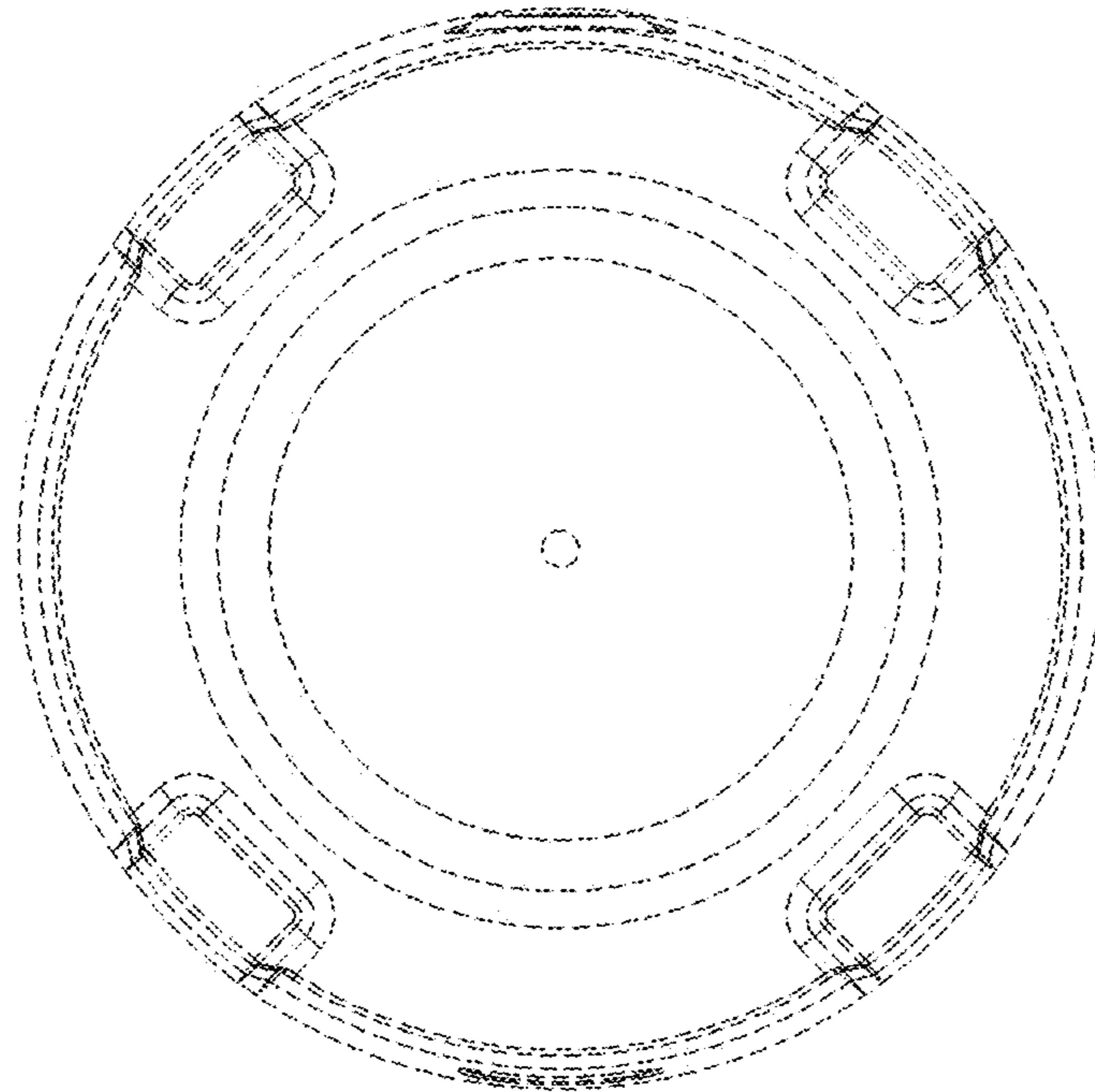


FIG. 7

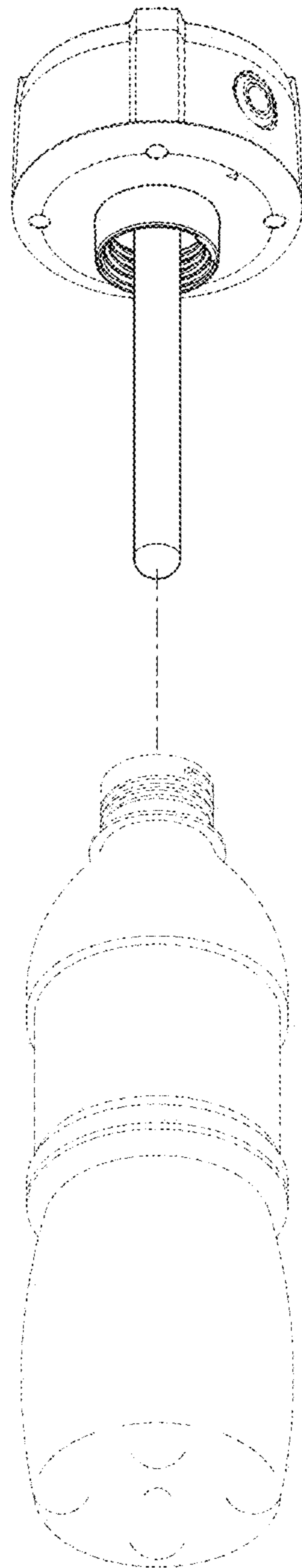


FIG. 8