



US00D922600S

(12) **United States Design Patent**
Upsdell

(10) **Patent No.:** **US D922,600 S**

(45) **Date of Patent:** **** Jun. 15, 2021**

(54) **ANALYSIS DEVICE**

(71) Applicant: **Oxford Nanopore Technologies Ltd.,**
Oxford (GB)

(72) Inventor: **Jonathan Upsdell,** Oxford (GB)

(73) Assignee: **Oxford Nanopore Technologies Ltd.,**
Oxford (GB)

(**) Term: **15 Years**

(21) Appl. No.: **29/670,973**

(22) Filed: **Nov. 21, 2018**

(30) **Foreign Application Priority Data**

May 22, 2018 (GB) 6035710

(51) **LOC (13) Cl.** **24-01**

(52) **U.S. Cl.**
USPC **D24/216**

(58) **Field of Classification Search**

USPC D24/107, 169, 185, 186, 216–219,
D24/231–234; D10/81, 96, 97

CPC G01N 2035/00306; G01N 2035/00326;
G01N 2035/00336; G01N 2030/027;
G01N 35/1085; G01N 2021/6432; C12Q
1/6869; C12Q 1/6806

See application file for complete search history.

(56) **References Cited**

U.S. PATENT DOCUMENTS

D542,931 S * 5/2007 Pukall D24/232
D588,276 S * 3/2009 Isozaki D24/232

D687,561 S * 8/2013 Iseki D24/216
D737,459 S * 8/2015 Kurihara D24/232
D761,142 S * 7/2016 Golta D24/216
D843,005 S * 3/2019 Kobeli D24/216
D858,790 S * 9/2019 Hsu D24/216
2010/0267049 A1* 10/2010 Rutter G01N 21/6428
435/7.1

* cited by examiner

Primary Examiner — Anhdao Doan

(74) *Attorney, Agent, or Firm* — Wolf, Greenfield &
Sacks, P.C.

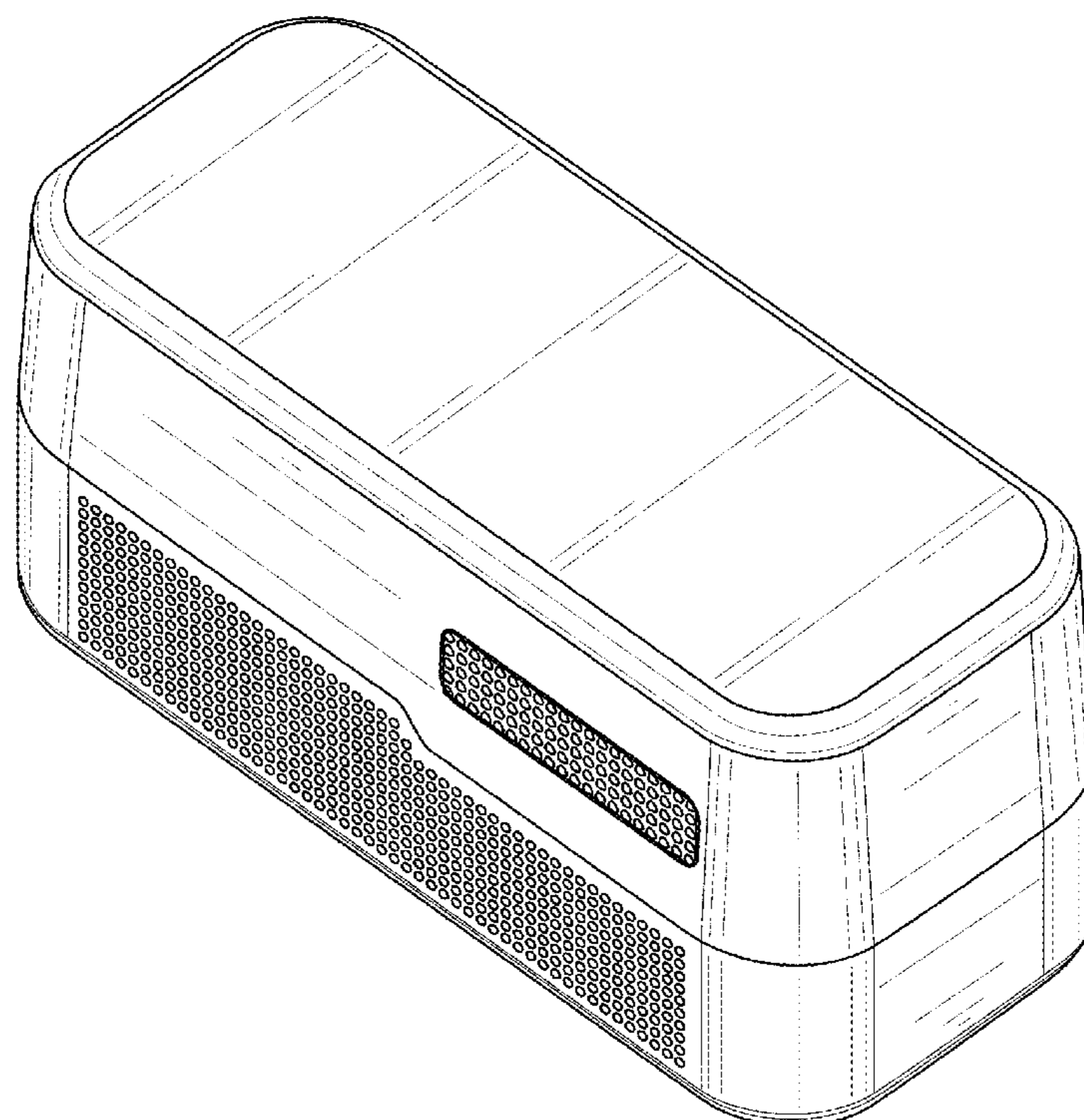
(57) **CLAIM**

The ornamental design for an analysis device, as shown and described.

DESCRIPTION

FIG. 1 is a top, front, left side perspective view of an analysis device showing our new design; FIG. 2 is a front elevation view thereof; FIG. 3 is a rear elevation view thereof; FIG. 4 is a left side elevation view thereof; FIG. 5 is a right side elevation view thereof; FIG. 6 is a top plan view thereof; FIG. 7 is a bottom plan view thereof; and, FIG. 8 is a top, rear, right side perspective view thereof. The broken lines depict portions of the analysis device that form no part of the claimed design.

1 Claim, 8 Drawing Sheets



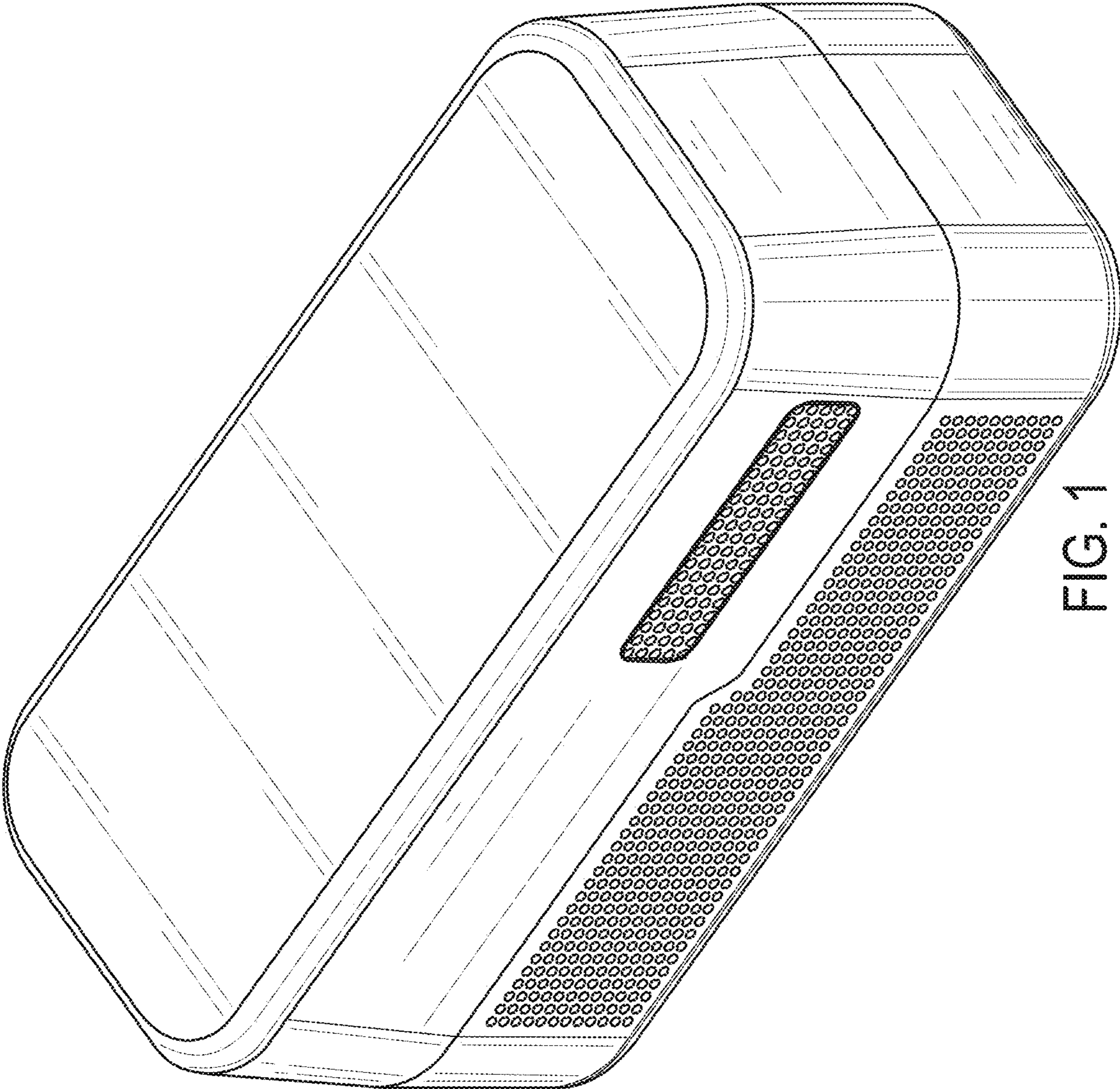


FIG. 1

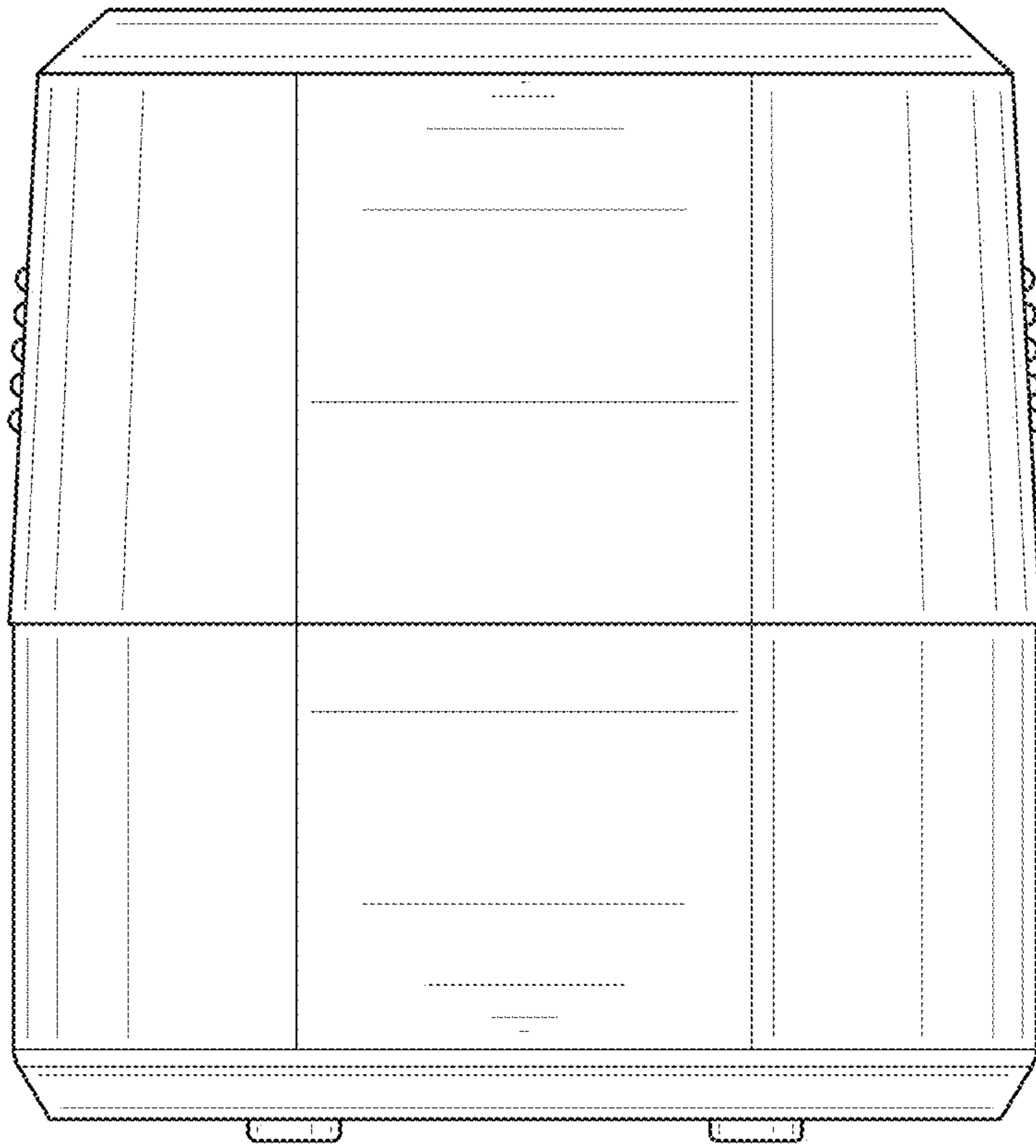


FIG. 2

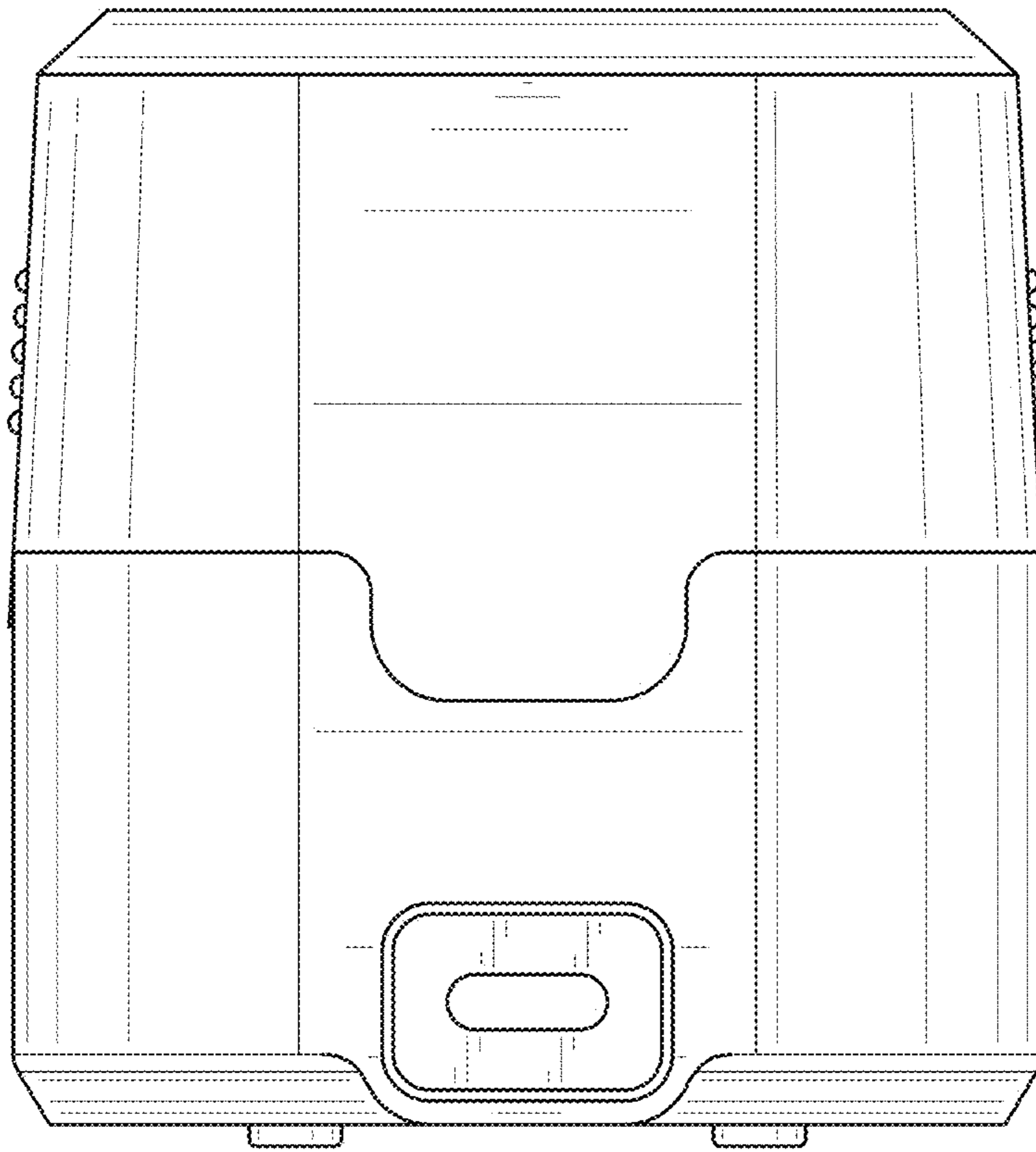


FIG. 3

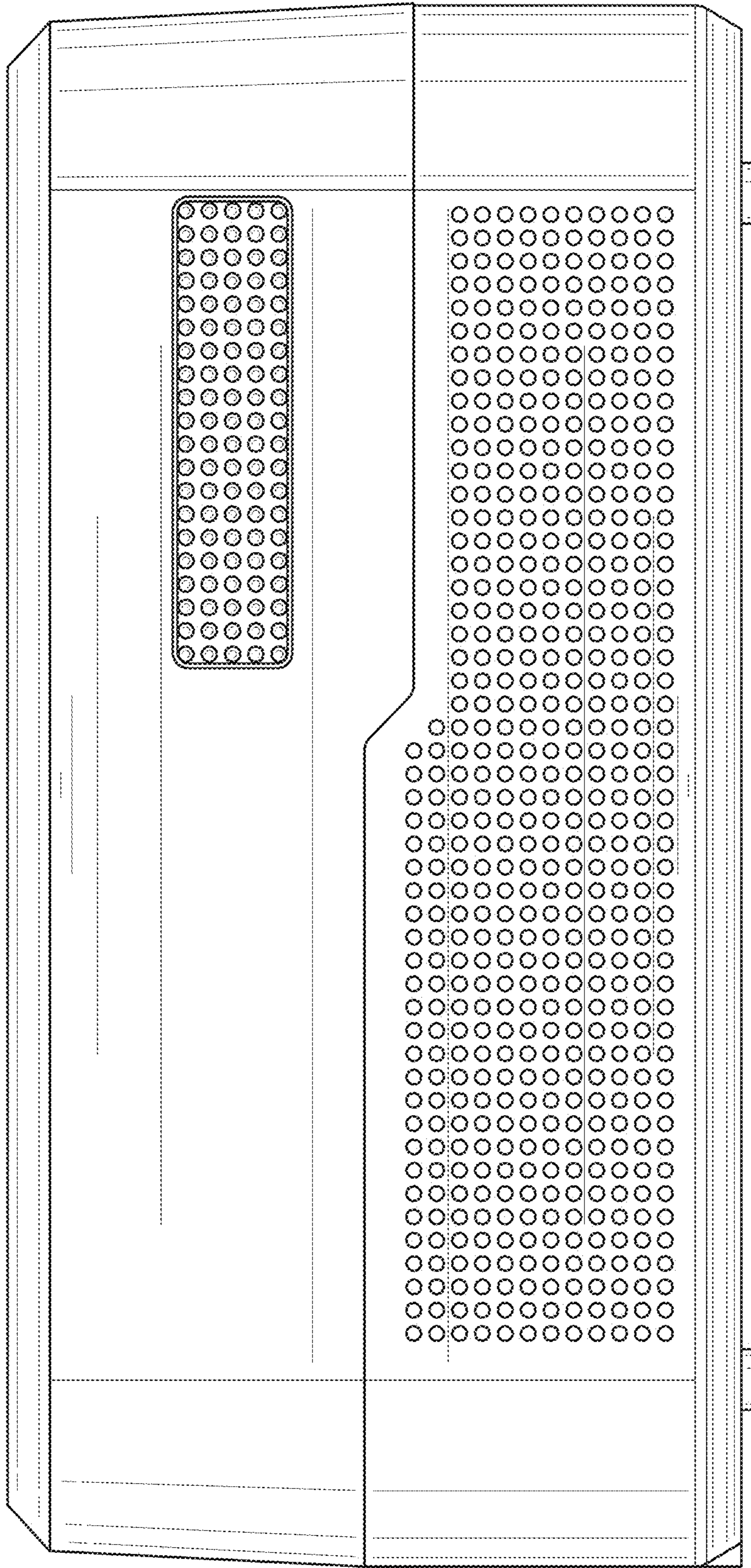


FIG. 4

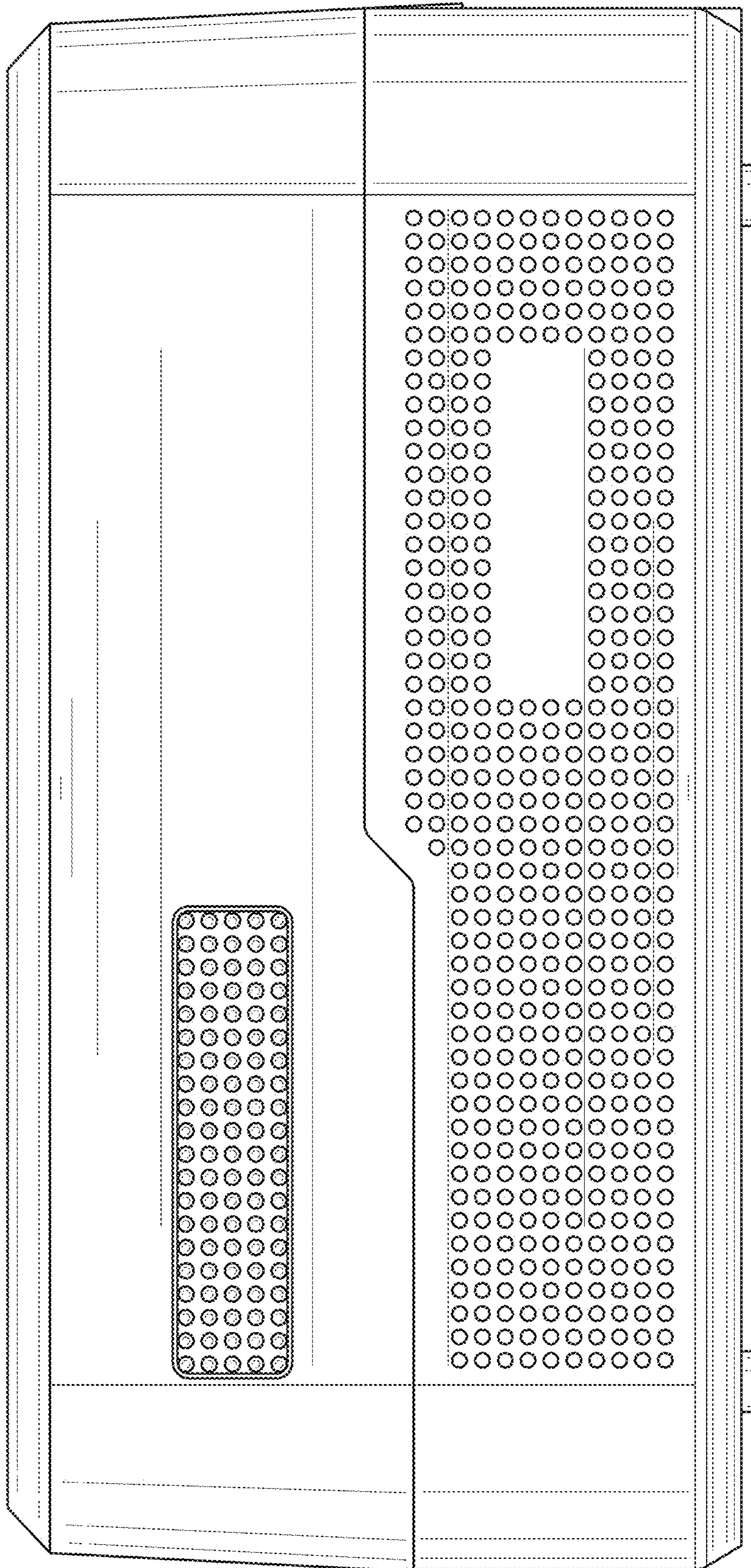


FIG. 5

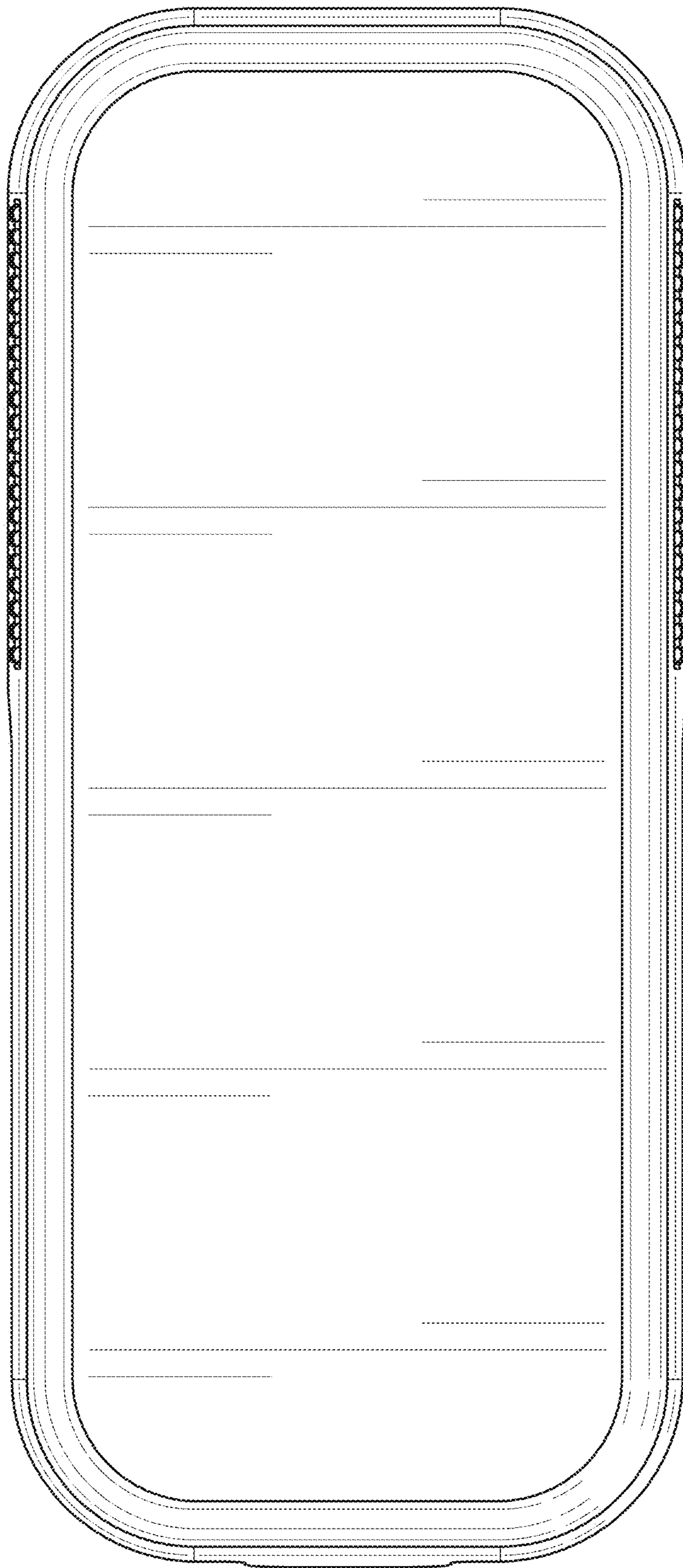


FIG. 6

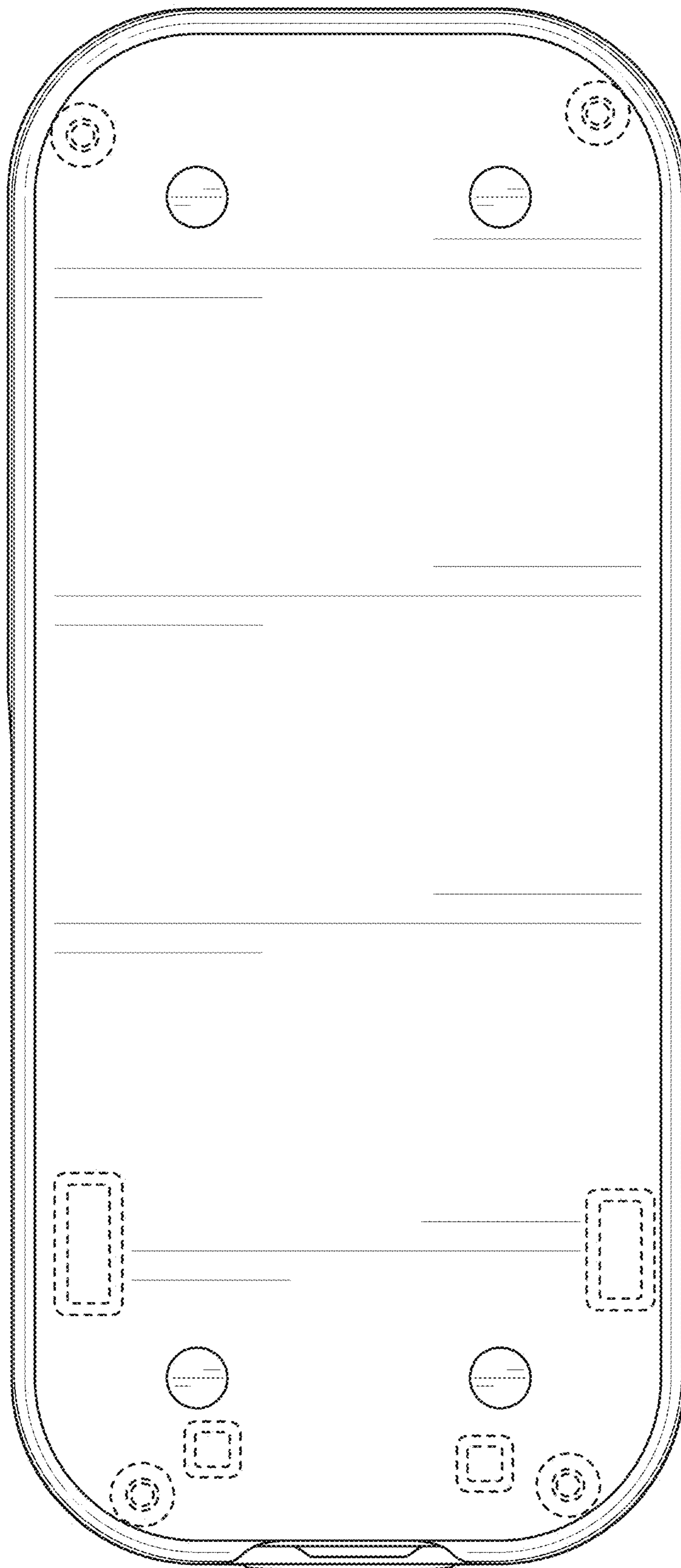


FIG. 7

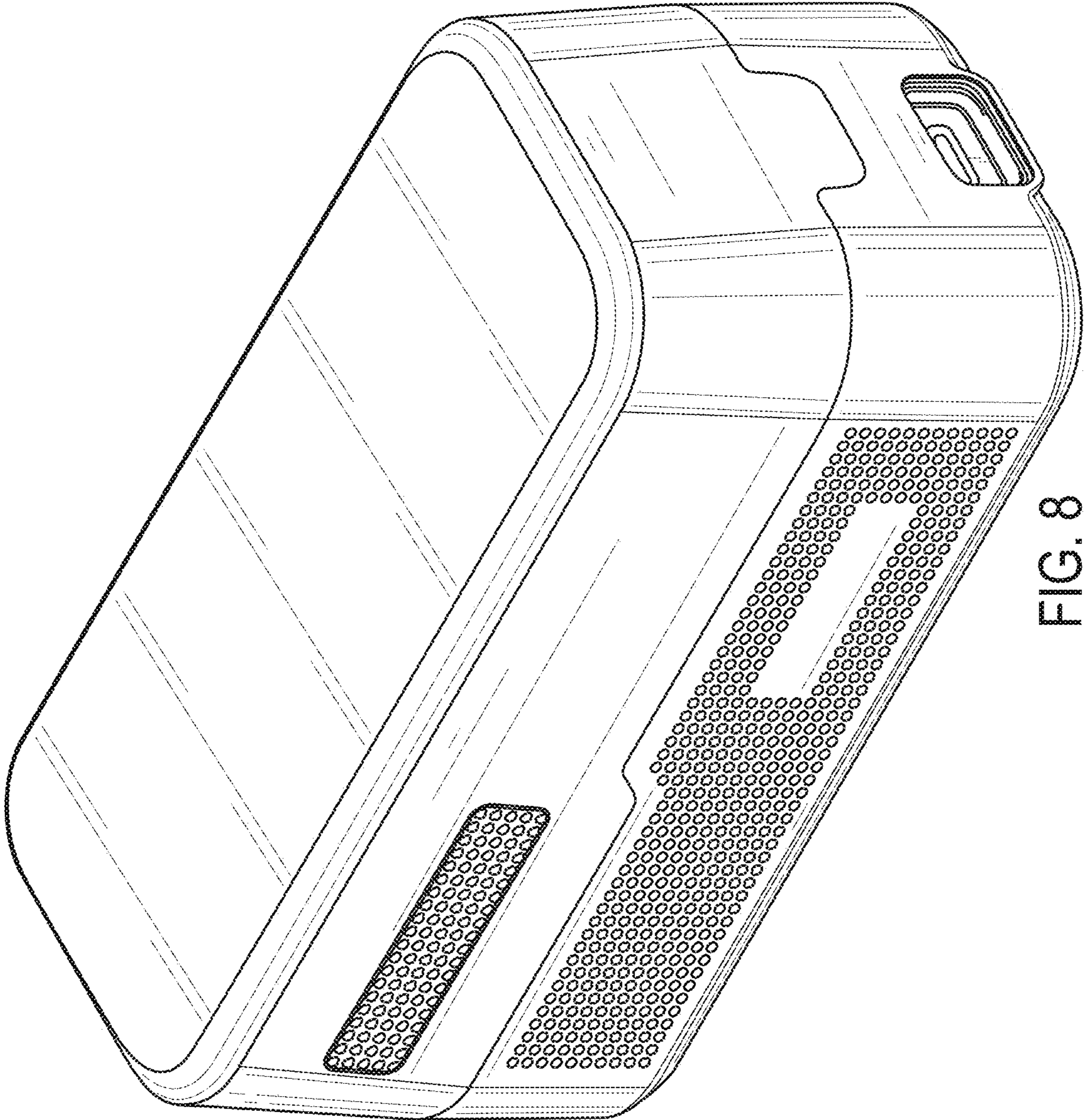


FIG. 8