



US00D922597S

(12) **United States Design Patent** (10) **Patent No.:** **US D922,597 S**
Holl (45) **Date of Patent:** **** Jun. 15, 2021**

(54) **FOOT PAD**

(71) Applicant: **Christopher Holl**, Jackson, NJ (US)

(72) Inventor: **Christopher Holl**, Jackson, NJ (US)

(**) Term: **15 Years**

(21) Appl. No.: **29/725,262**

(22) Filed: **Feb. 24, 2020**

(51) **LOC (13) Cl.** **28-03**

(52) **U.S. Cl.**
USPC **D24/213**

(58) **Field of Classification Search**
USPC D24/188, 189, 200, 211, 212, 213,
D24/214, 215; D29/101.1
CPC A61H 1/00; A61H 2023/002; A61H
2201/1238; A61H 7/002; A61H 7/007
See application file for complete search history.

(56) **References Cited**

U.S. PATENT DOCUMENTS

2,358,966	A *	9/1944	Einstoss	A61F 13/065
					602/66
D445,192	S *	7/2001	Rodgers	D24/192
D636,498	S *	4/2011	Smith	D24/206
D692,438	S *	10/2013	Chang	D14/447
D757,287	S *	5/2016	Chen	D24/215
D757,288	S *	5/2016	Chen	D24/215
D757,290	S *	5/2016	Chen	D24/215
D760,908	S *	7/2016	MacNeil	D24/190
D785,804	S *	5/2017	Matfus	D24/190
D800,323	S *	10/2017	Cox	D24/190
D800,324	S *	10/2017	Cox	D24/190
D804,680	S *	12/2017	Bledsoe	D24/190
D837,988	S *	1/2019	Khubani	D24/192
D844,157	S *	3/2019	Lind	D24/192
D850,631	S *	6/2019	McEwen	D24/189
D871,601	S *	12/2019	Zhang	D24/215
D871,602	S *	12/2019	Zhang	D24/215
D905,859	S *	12/2020	Inzer	D24/190

OTHER PUBLICATIONS

Amazon, "Ball of Foot Cushions", Feb. 22, 2016. https://www.amazon.com/Ball-Foot-Cushions-Pieces-Metatarsal/dp/B08Y85M5YM/ref=sr_1_8?dchild=1&keywords=foot+pad&qid=1618341761&sr=8-8. Shown on p. 1. (Year: 2016).*

* cited by examiner

Primary Examiner — Cynthia Ramirez

Assistant Examiner — Michael A Maharajh

(74) *Attorney, Agent, or Firm* — Guy Levi; The IP Law Firm of Guy Levi, LLC

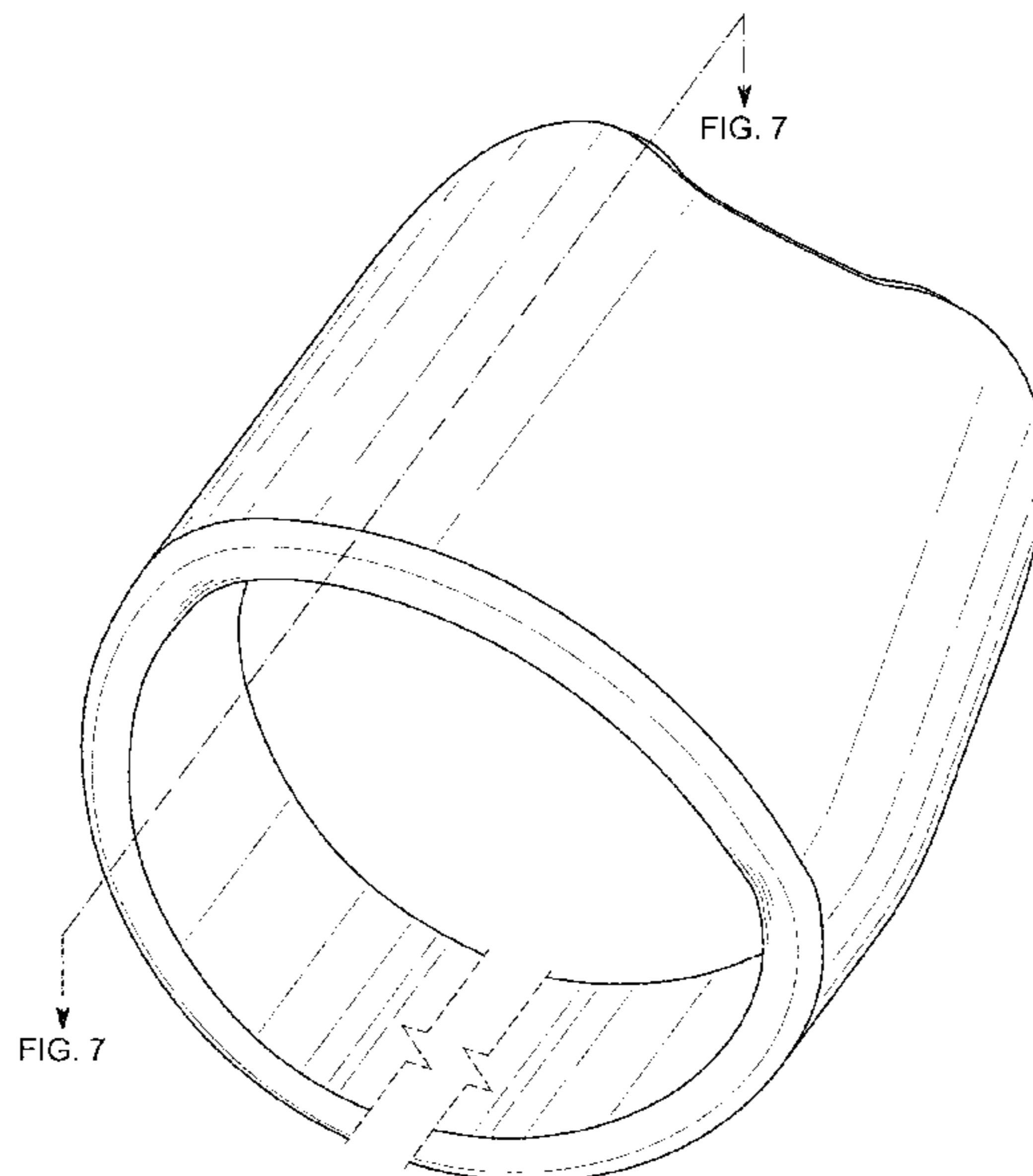
(57) **CLAIM**

The ornamental design for a foot pad, as shown and described.

DESCRIPTION

FIG. 1, is a front top left perspective view of the foot pad, showing my new design;
FIG. 2 is a bottom right perspective view thereof;
FIG. 3, is a front elevation view thereof;
FIG. 4, is a right side elevation view thereof, the left side being a mirror image;
FIG. 5, is a top plan view thereof;
FIG. 6, is a bottom plan view thereof;
FIG. 7, is an enlarged cross section taken along dash-dot-dash line in FIG. 1; and,
FIG. 8 is another perspective view thereof.
The foot pad is show in FIGS. 1-3, 6, 8 with a symbolic break in its length, represented by a dashed jagged break line. The appearance of any portion of the article between the break lines forms no part of the claimed design.
The square shown in broken lines in FIG. 7 is to show the enlarged view. The foot shown in broken lines in FIG. 8 is for the purpose of illustrating environmental structure, which form no part of the claimed design.

1 Claim, 7 Drawing Sheets



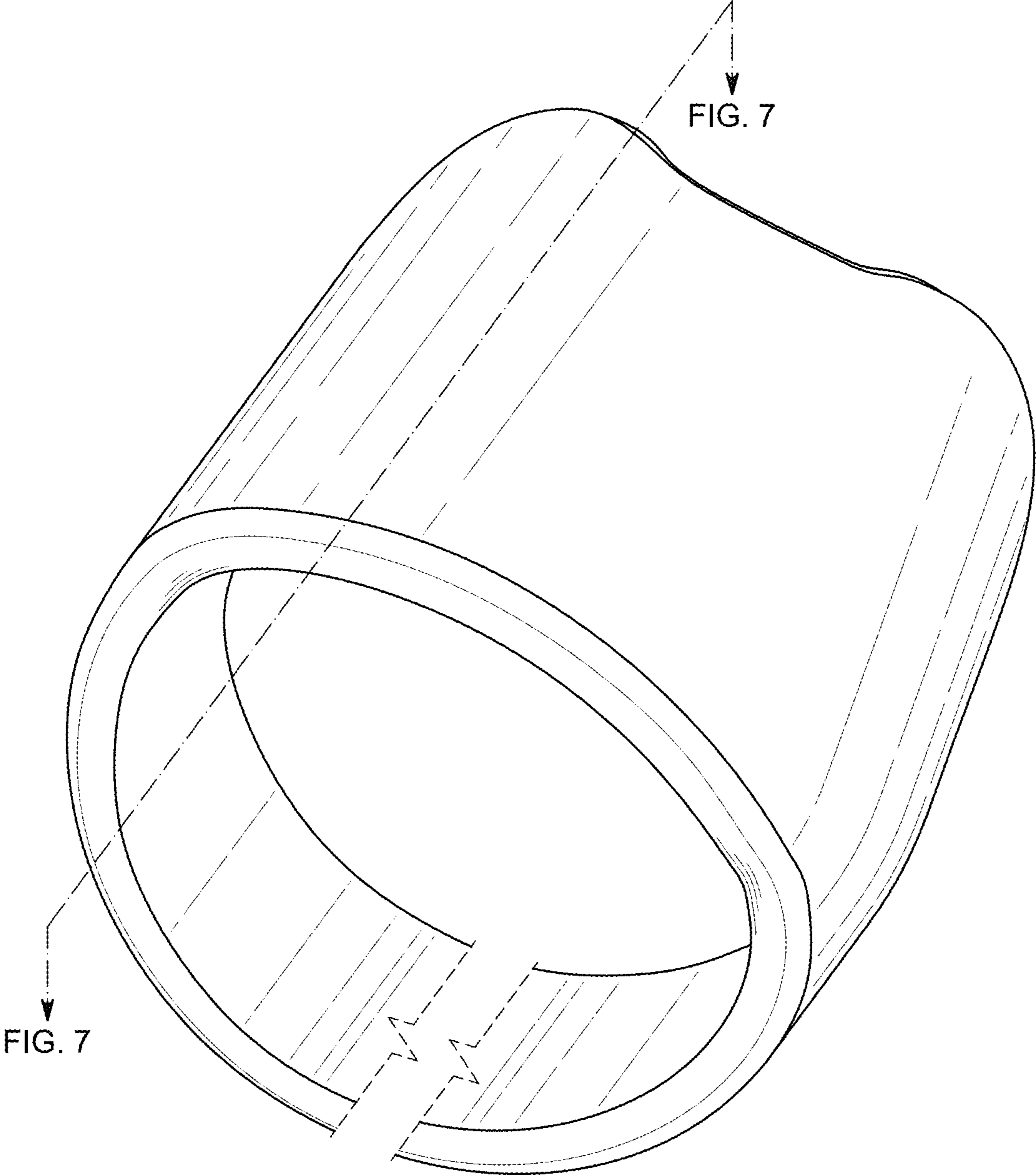


FIG. 1

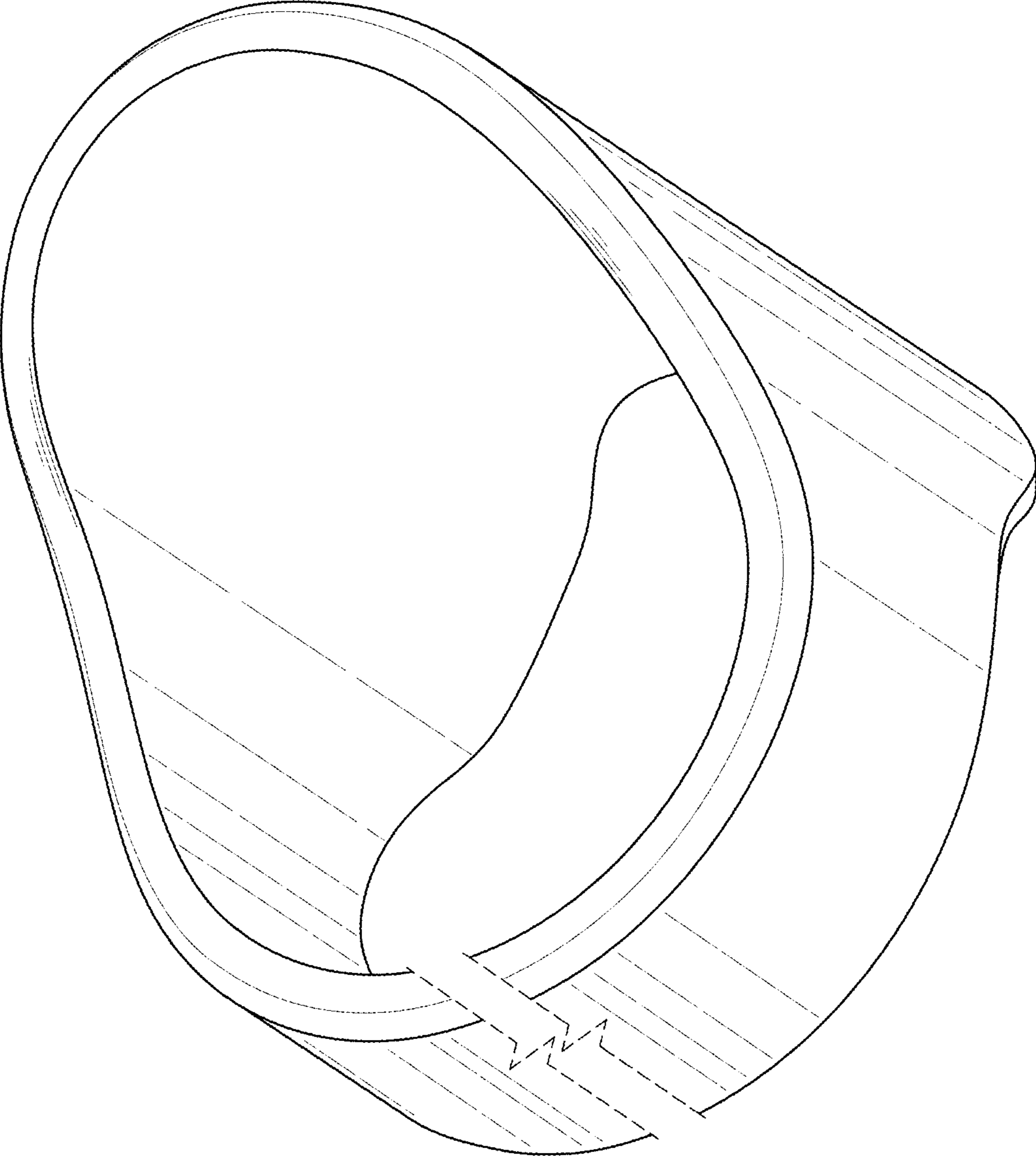


FIG. 2

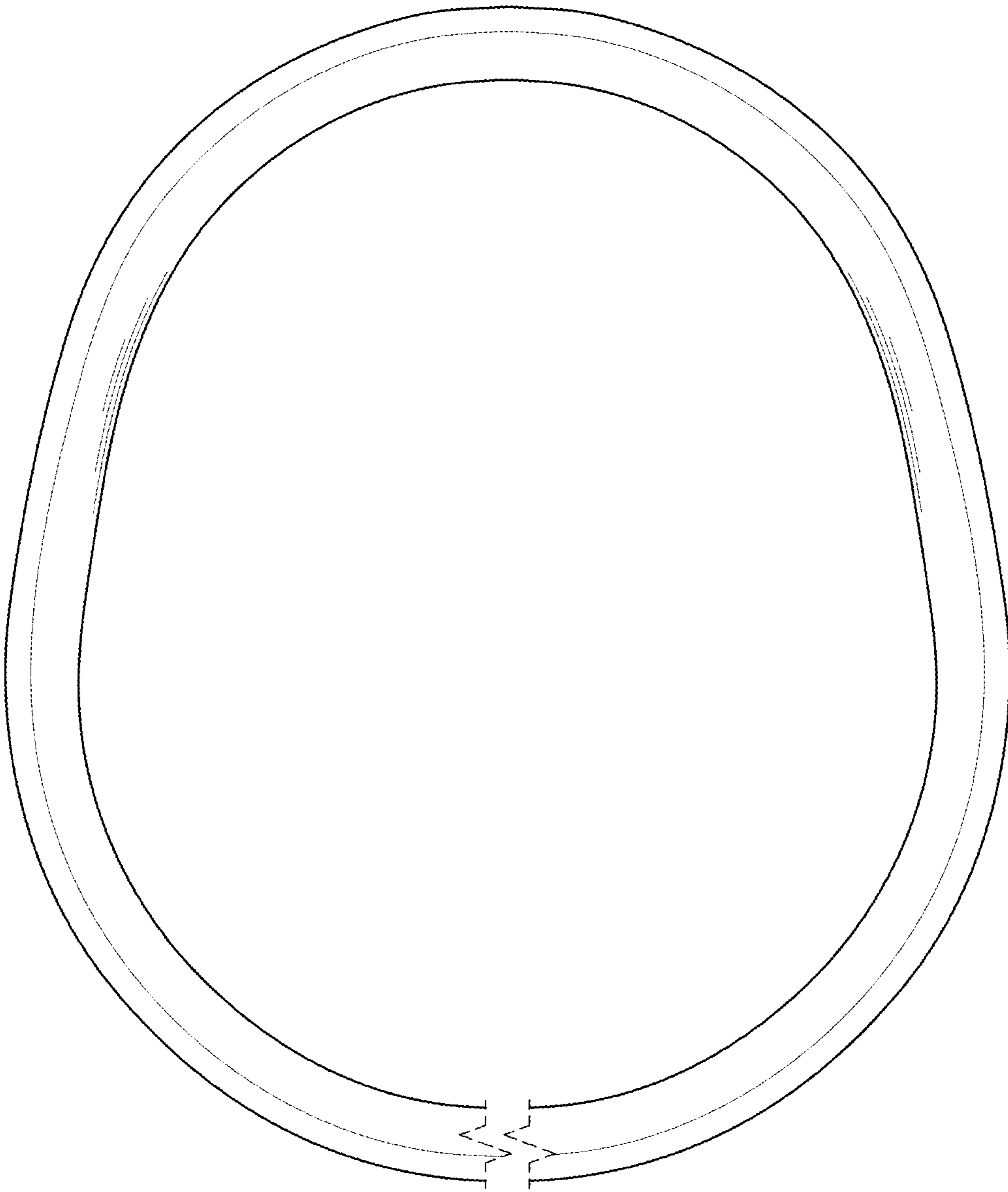


FIG. 3

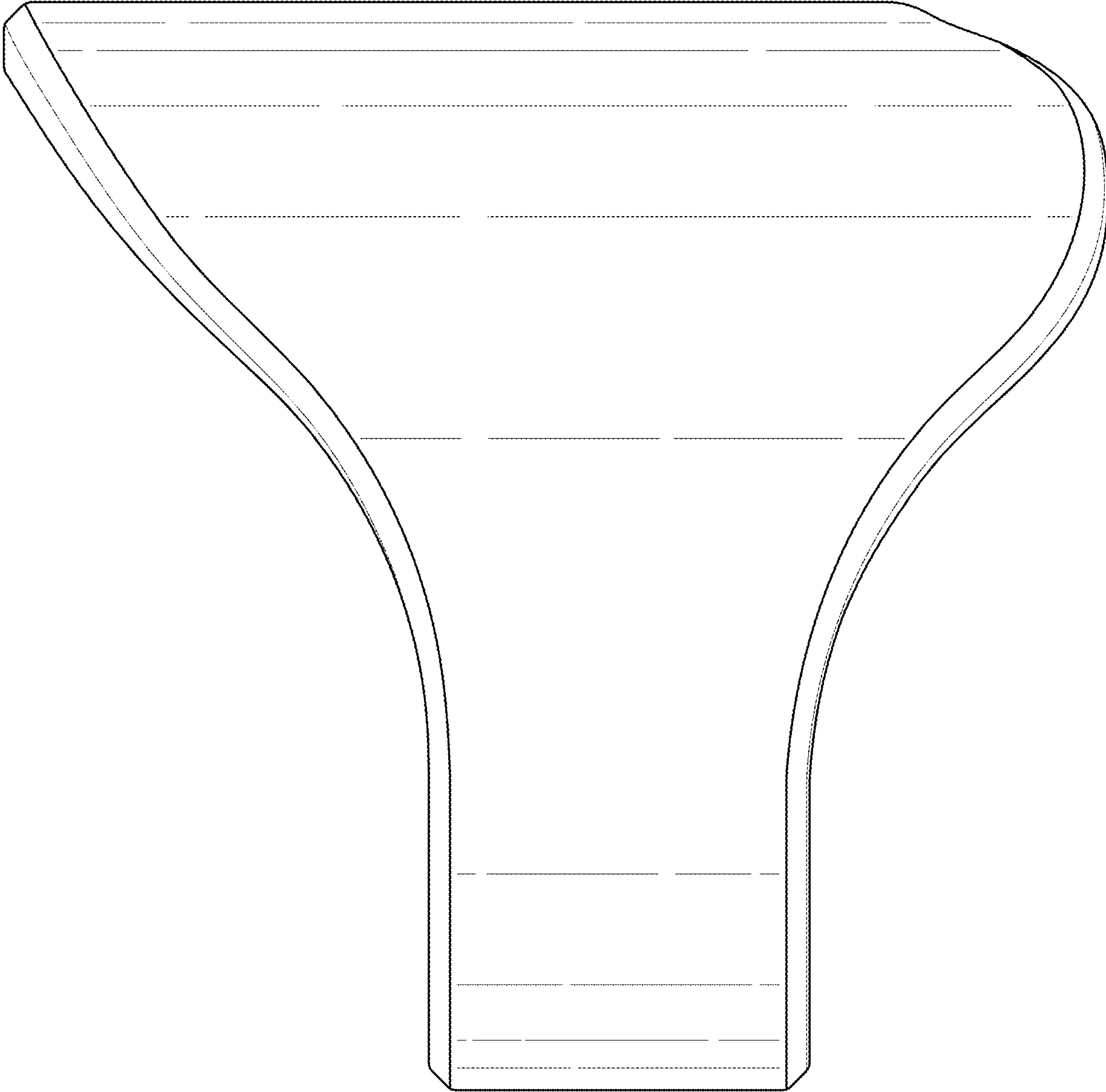


FIG. 4

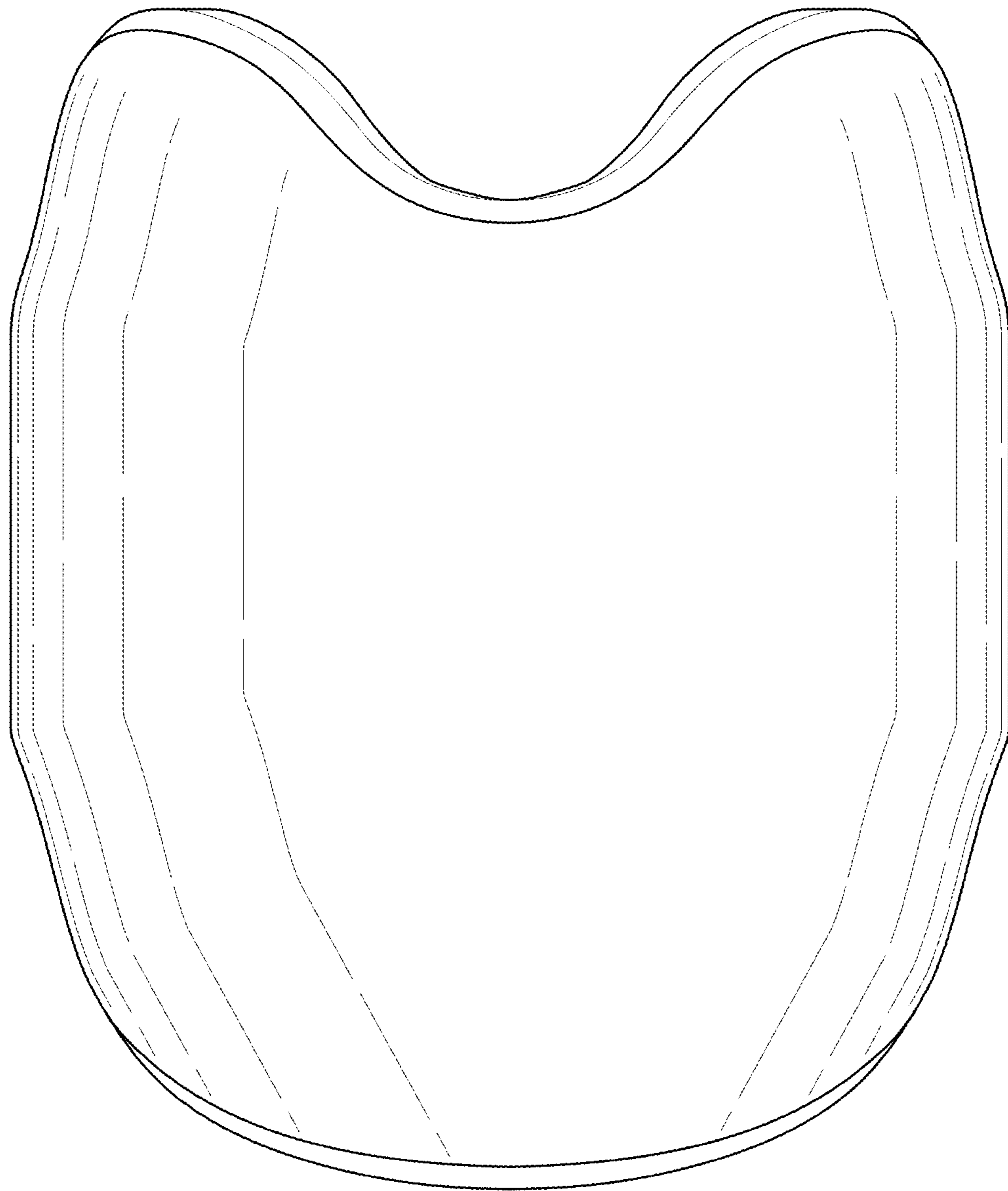


FIG. 5

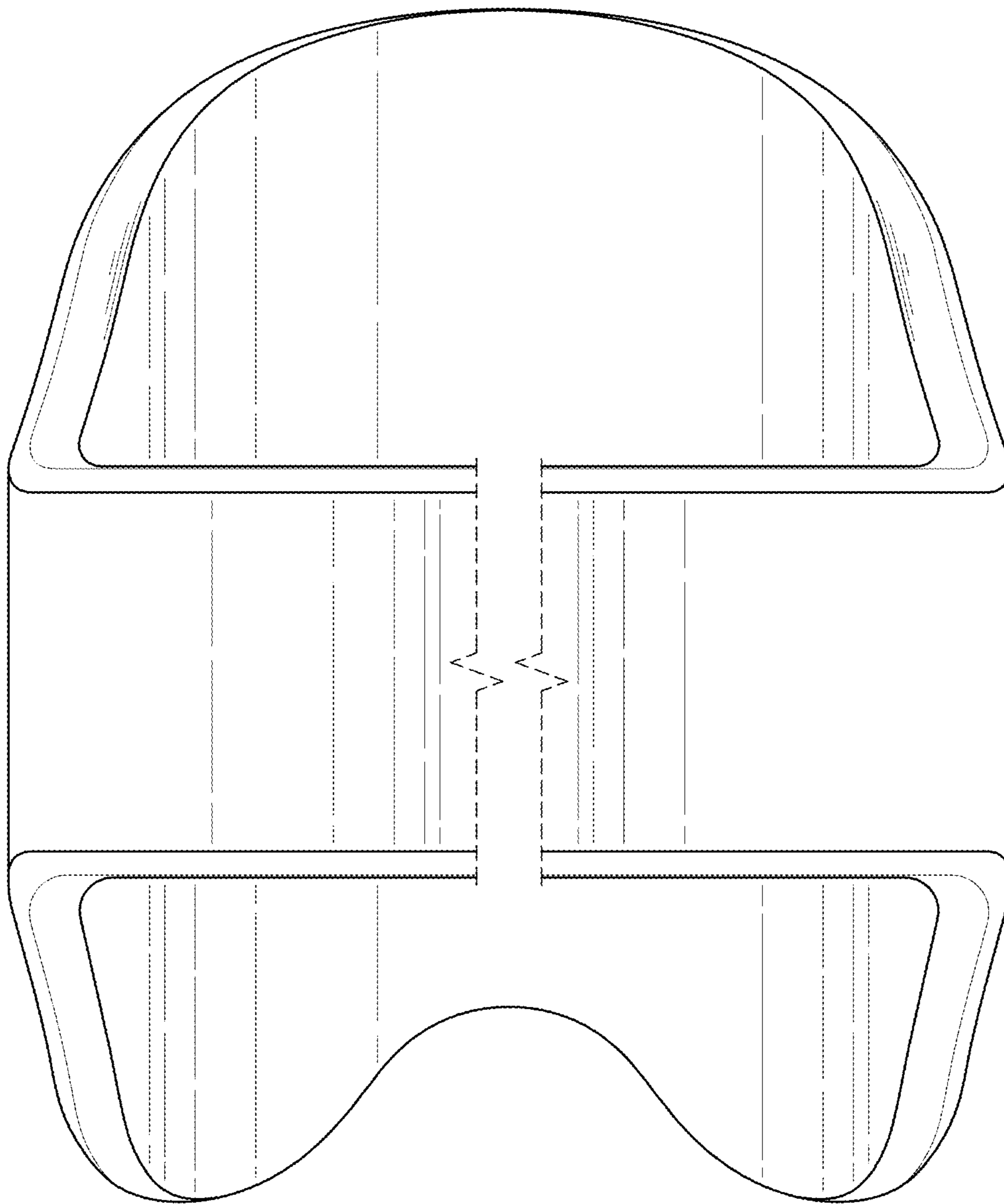


FIG. 6

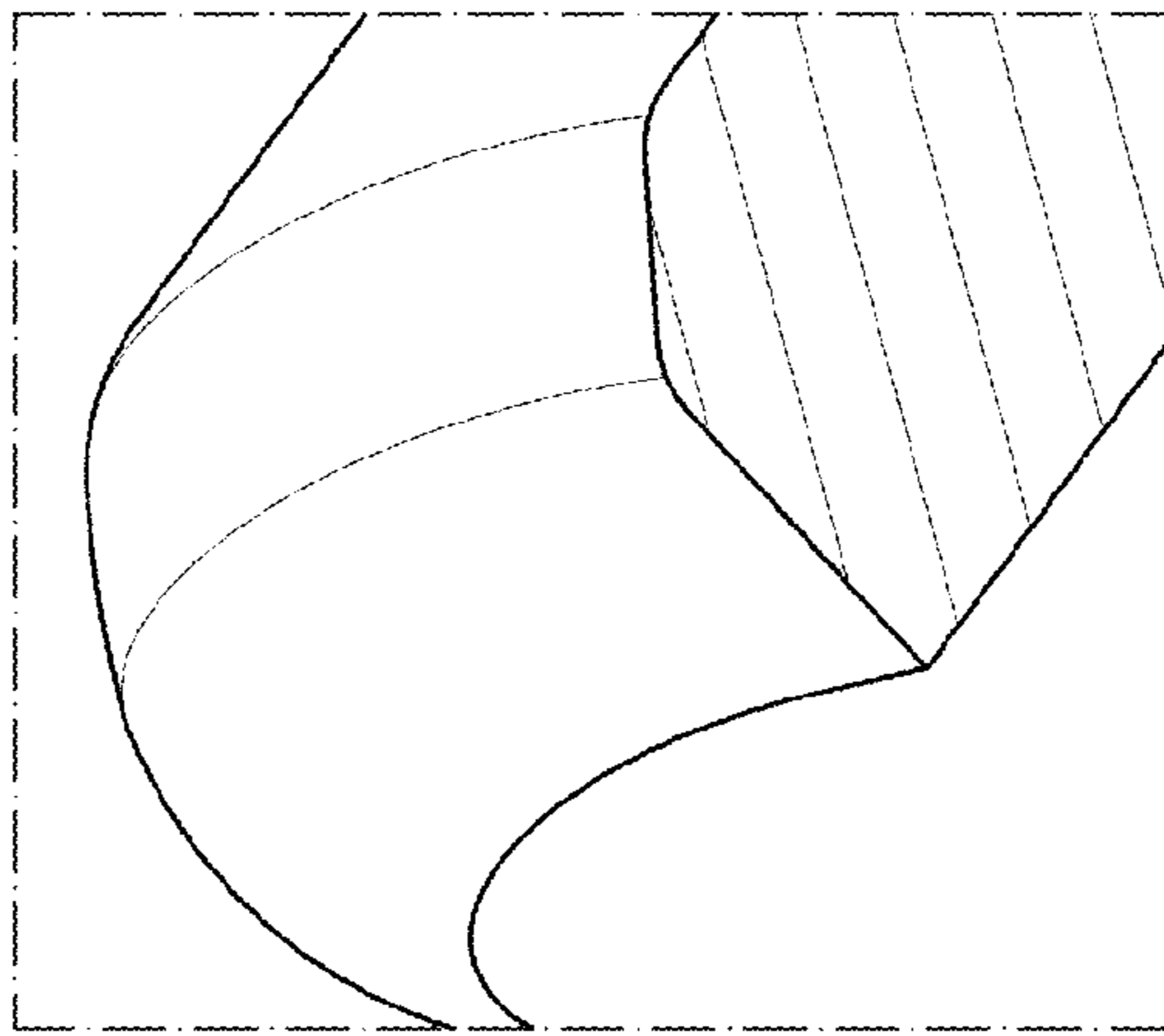


FIG. 7

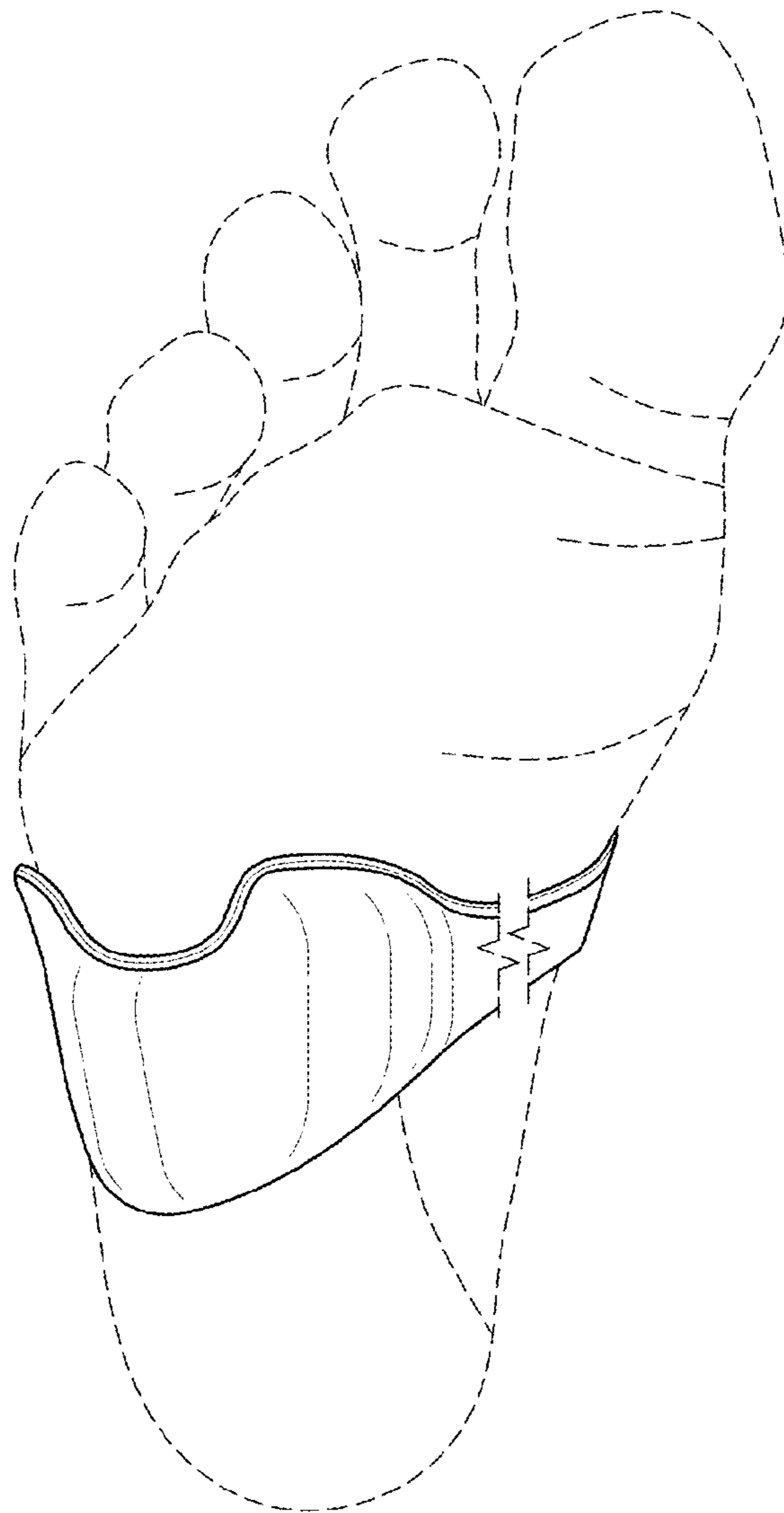


FIG. 8