



US00D922595S

(12) **United States Design Patent** (10) **Patent No.:** **US D922,595 S**  
**Bockenstedt et al.** (45) **Date of Patent:** **\*\* Jun. 15, 2021**

- (54) **LIGHT THERAPY DEVICE**
- (71) Applicant: **Bausch Health Ireland Limited**,  
Dublin (IE)
- (72) Inventors: **Craig Bockenstedt**, Bothell, WA (US);  
**Richard Malwitz**, Bothell, WA (US);  
**Adam Weisgerber**, Shoreline, WA  
(US); **Jeffrey Ladwig**, Seattle, WA  
(US); **Aaron Piazza**, Lake Forest Park,  
WA (US); **Michael Carl Beckman**,  
Seattle, WA (US)
- (73) Assignee: **BAUSCH HEALTH IRELAND  
LIMITED**, Dublin (IE)
- (\*\*) Term: **15 Years**
- (21) Appl. No.: **29/720,107**
- (22) Filed: **Jan. 9, 2020**
- (51) **LOC (13) Cl.** ..... **28-03**
- (52) **U.S. Cl.**  
USPC ..... **D24/209**
- (58) **Field of Classification Search**  
USPC ..... D24/107, 200, 209, 210, 214, 215, 185,  
D24/186, 231; D26/37-39, 76, 104, 106,  
D26/120; D28/9; D14/307, 336, 371,  
D14/375, 376  
CPC .... A61N 5/062; A61N 5/0614; A61N 5/0616;  
A61N 5/0617; A61N 5/0618; A61N  
5/0624; A61N 5/0627; A61N 5/0625;  
A61N 2005/0643; A61N 2005/0644;  
A61N 2005/0645; A61N 2005/0647;  
A61N 2005/0651; A61N 2005/0652;  
A61N 2005/0654; A61N 2005/0662;  
A61B 2018/00452; A61B 2018/1807  
See application file for complete search history.

(56) **References Cited**  
U.S. PATENT DOCUMENTS

- D545,973 S \* 7/2007 Powell ..... D24/209
- D599,485 S \* 9/2009 Burrows ..... D24/209

- D611,160 S \* 3/2010 Fernie ..... D24/209
- RE45,816 E \* 12/2015 Andre ..... D14/375
- D757,955 S \* 5/2016 Johnson ..... D24/209
- D809,141 S \* 1/2018 Adams ..... D24/158
- D816,222 S \* 4/2018 Barak ..... D24/158
- D835,291 S \* 12/2018 Lei ..... D24/209
- D857,220 S \* 8/2019 Chew ..... D24/210

(Continued)

**OTHER PUBLICATIONS**

Office Action—Japanese Design Application No. 2020-14062, dated Dec. 9, 2020, (4 pages).

(Continued)

*Primary Examiner* — Anhdao Doan

(74) *Attorney, Agent, or Firm* — Finnegan, Henderson, Farabow, Garrett & Dunner, LLP

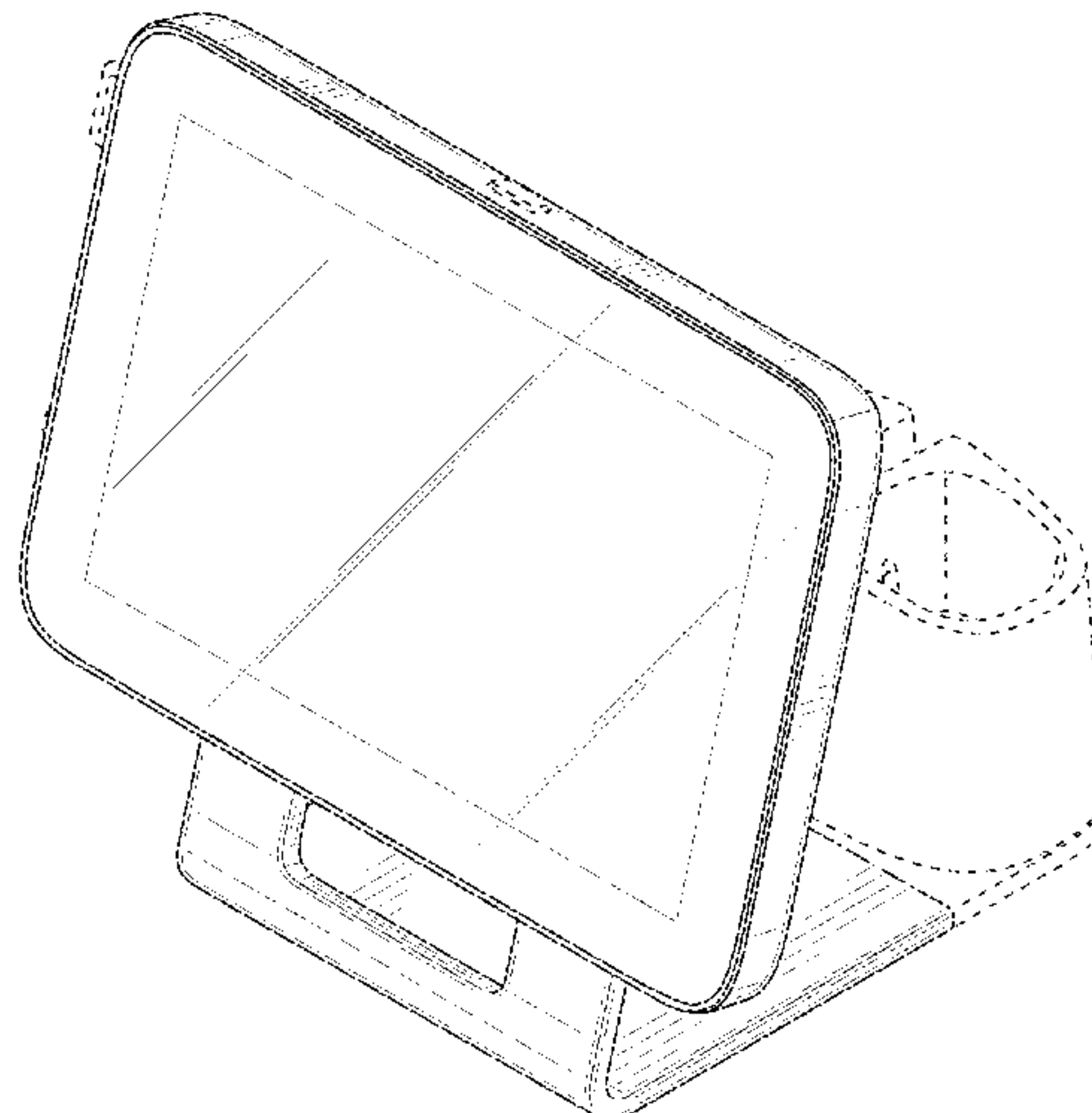
(57) **CLAIM**

The ornamental design for light therapy device, as shown and described.

**DESCRIPTION**

FIG. 1 is a front perspective view of a light therapy device showing the new design;  
 FIG. 2 is a bottom perspective view thereof;  
 FIG. 3 is a front elevation view thereof;  
 FIG. 4 is a rear elevation view thereof;  
 FIG. 5 is a left side view thereof;  
 FIG. 6 is a right side view thereof;  
 FIG. 7 is a top plan view thereof; and,  
 FIG. 8 is a bottom view plan view thereof.  
 The even-length broken lines shown in the drawings illustrate portions of the light therapy device that form no part of the claimed design. The broken lines of uneven length illustrate the boundary of the claimed design and form no part thereof.

**1 Claim, 8 Drawing Sheets**



(56)

**References Cited**

U.S. PATENT DOCUMENTS

D861,167 S \* 9/2019 Emery ..... D24/158  
2004/0249423 A1 \* 12/2004 Savage ..... A61N 5/0618  
607/88

OTHER PUBLICATIONS

Office Action—Japanese Design Application No. 2020-014064,  
dated Dec. 9, 2020, (5 pages).

Bockenstedt et al., Design U.S. Appl. No. 29/720,106, “Light  
Therapy Device,” filed Jan. 9, 2020.

Bockenstedt et al., Design U.S. Appl. No. 29/720,109, “Light  
Therapy Device,” filed Jan. 9, 2020.

Office Action of the Intellectual Property Office for ROC (Taiwan)  
Patent Application No. 109303744, dated Dec. 10, 2020, (4 pages).

Office Action of the Intellectual Property Office for ROC (Taiwan)  
Patent Application No. 109303745, dated Dec. 10, 2020, (4 pages).

Office Action of the Intellectual Property Office for ROC (Taiwan)  
Patent Application No. 109303746, dated Dec. 10, 2020, (4 pages).

\* cited by examiner

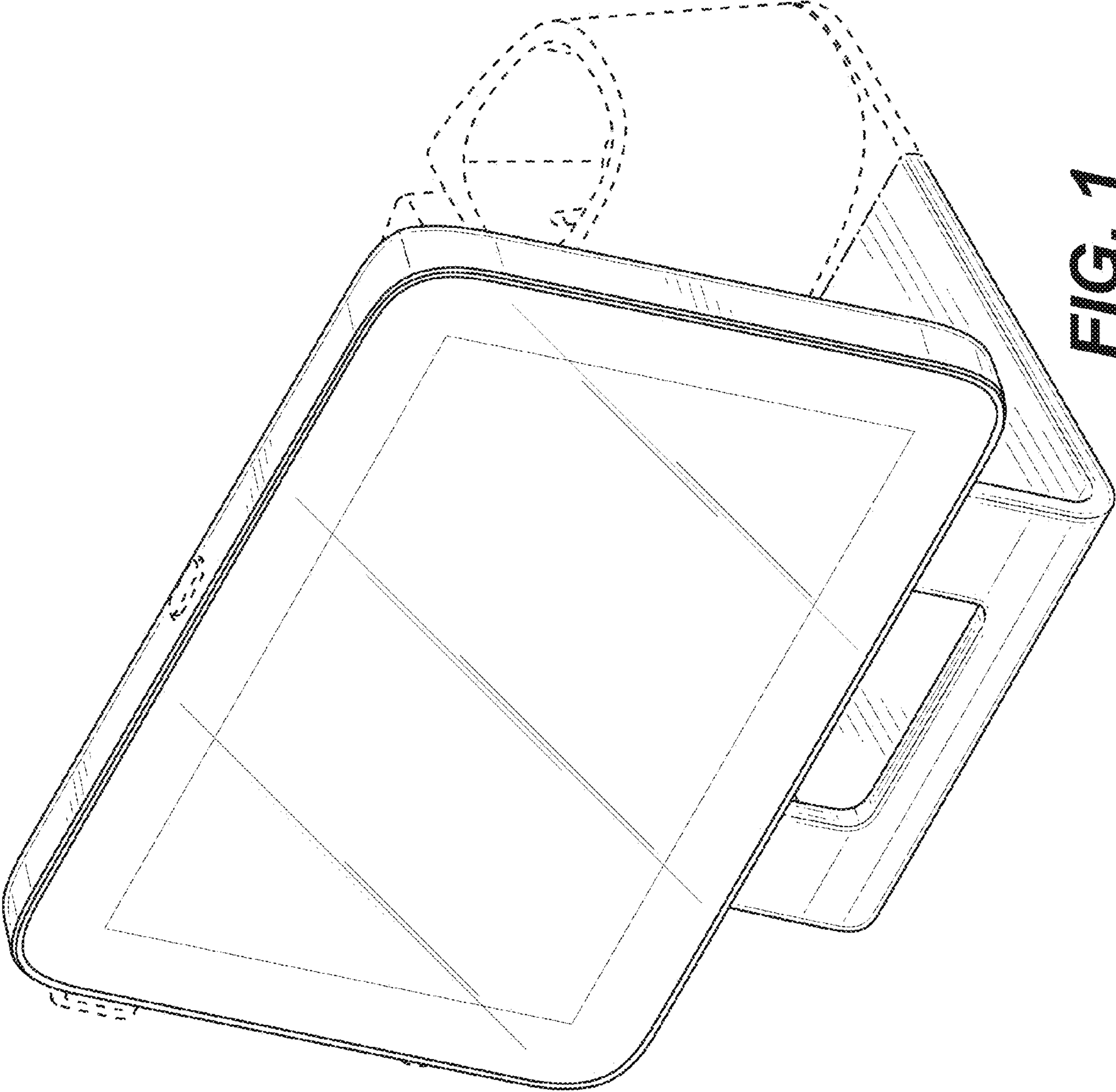


FIG. 1



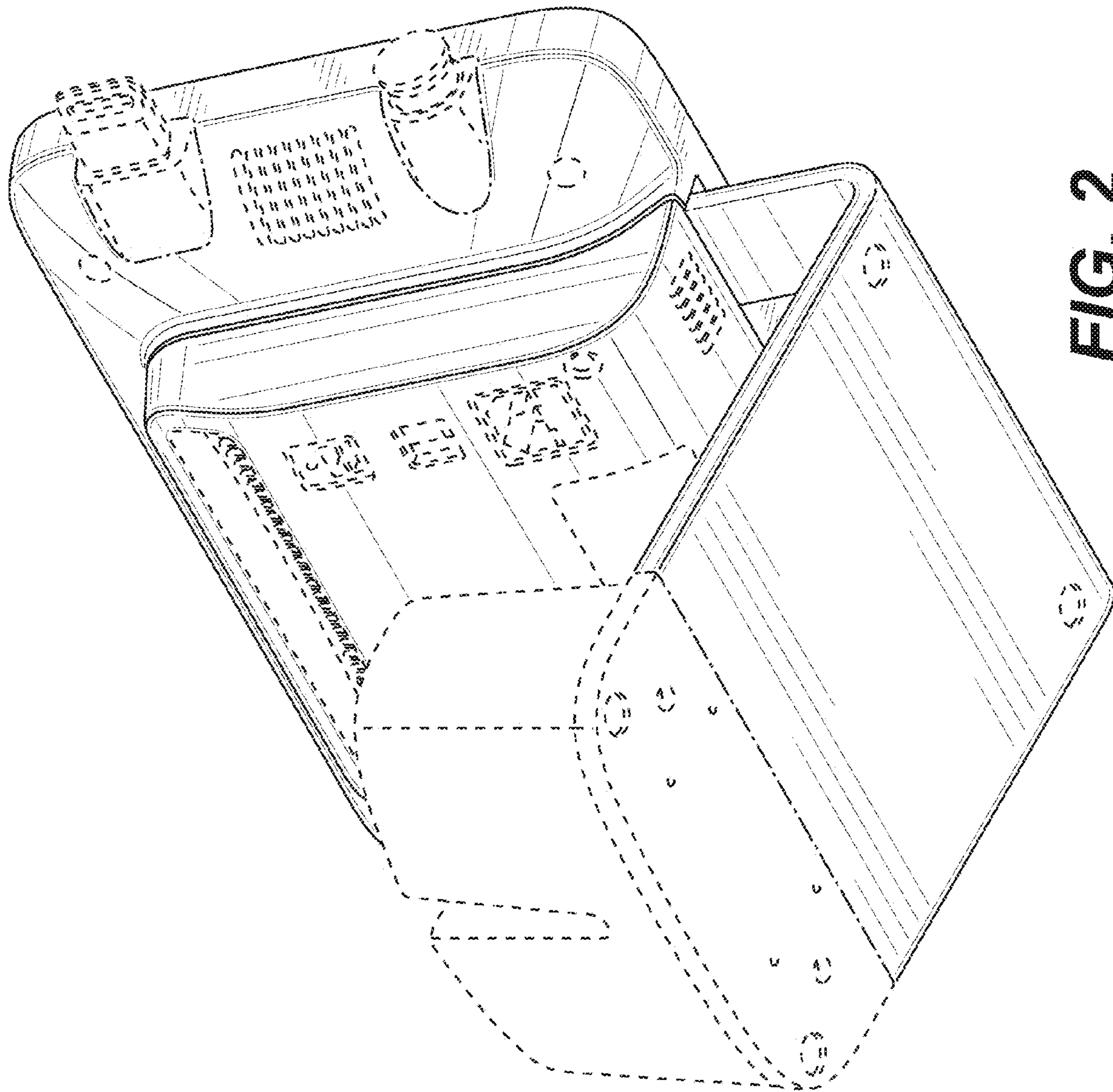


FIG. 2

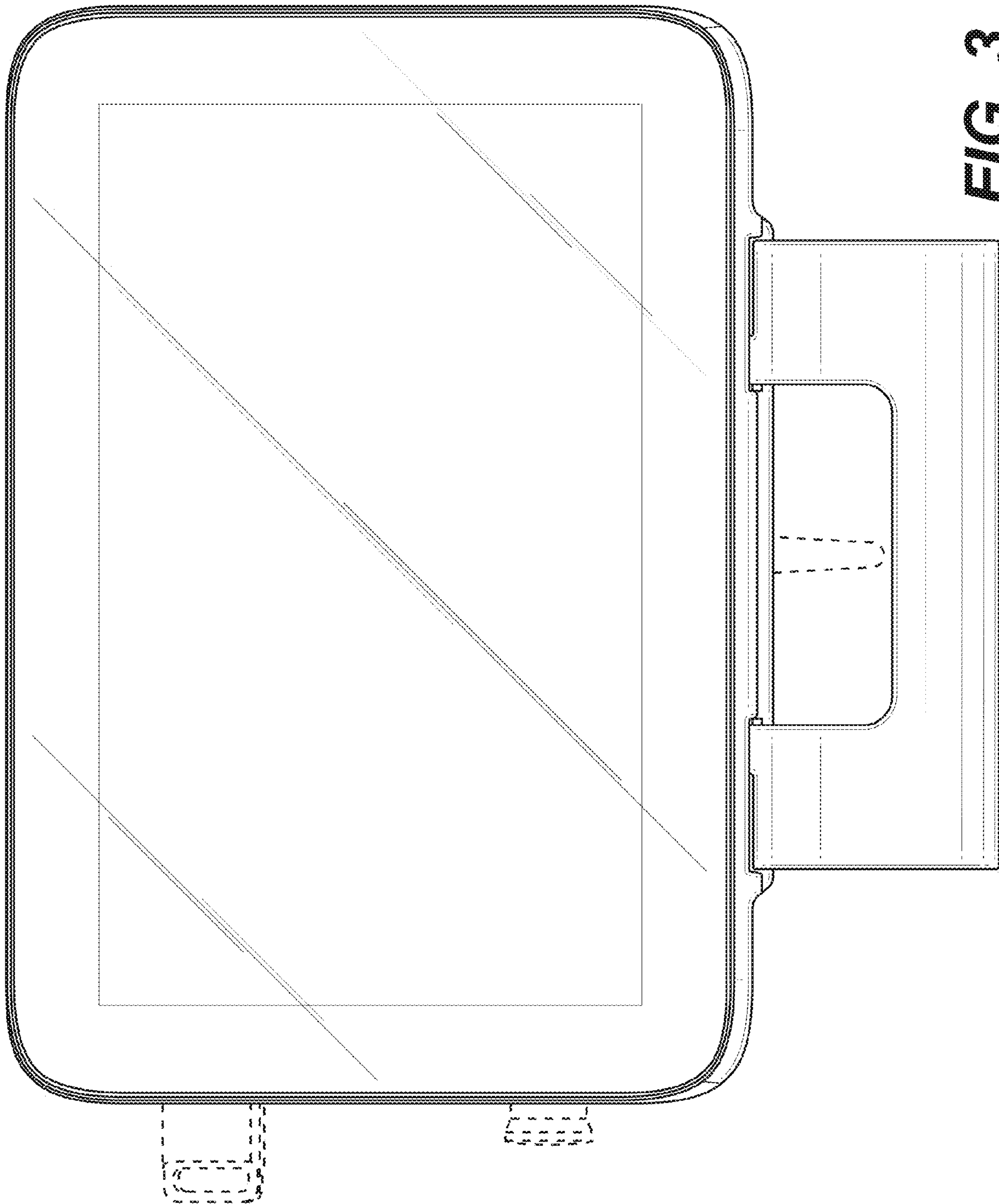


FIG. 3

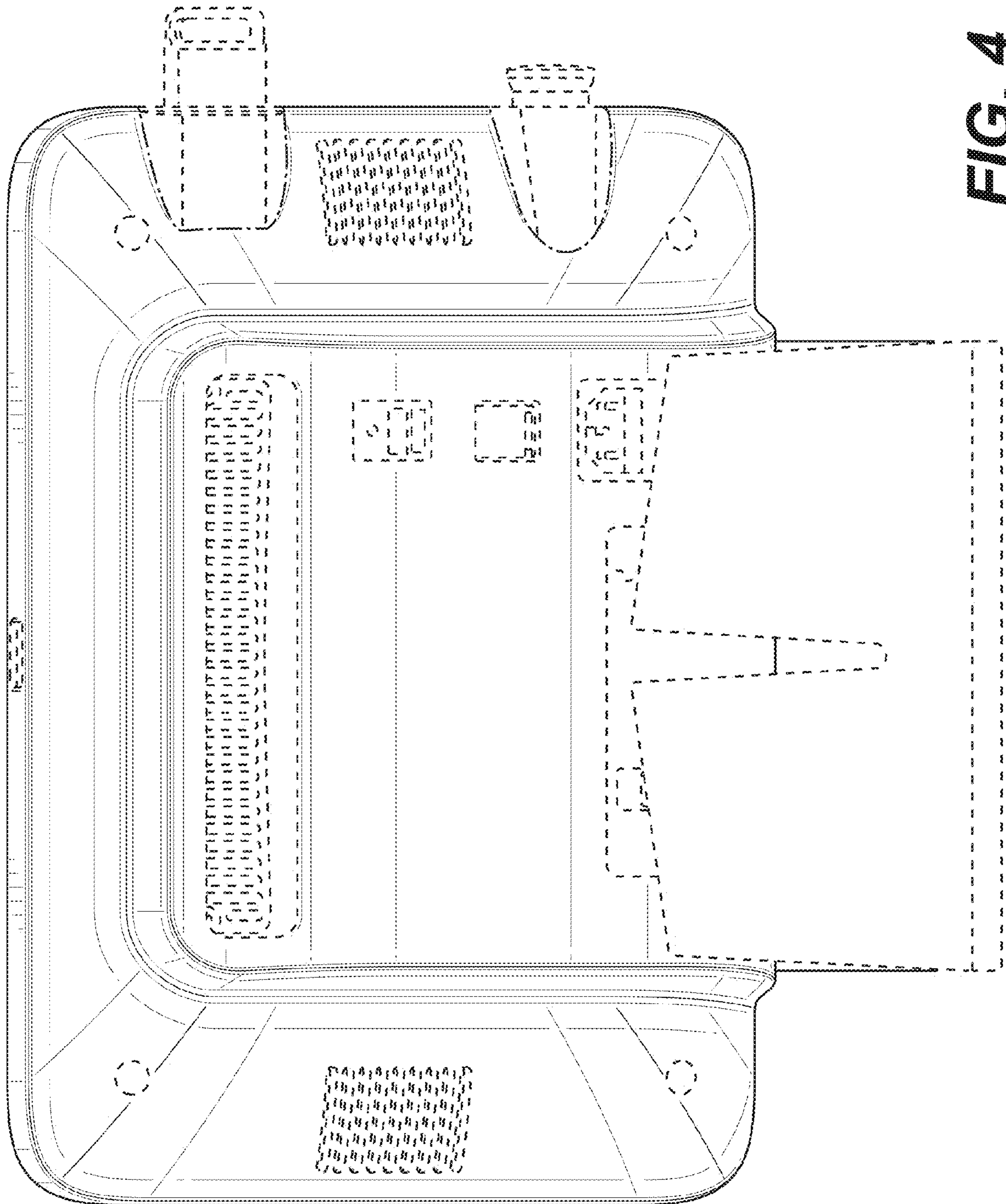


FIG. 4

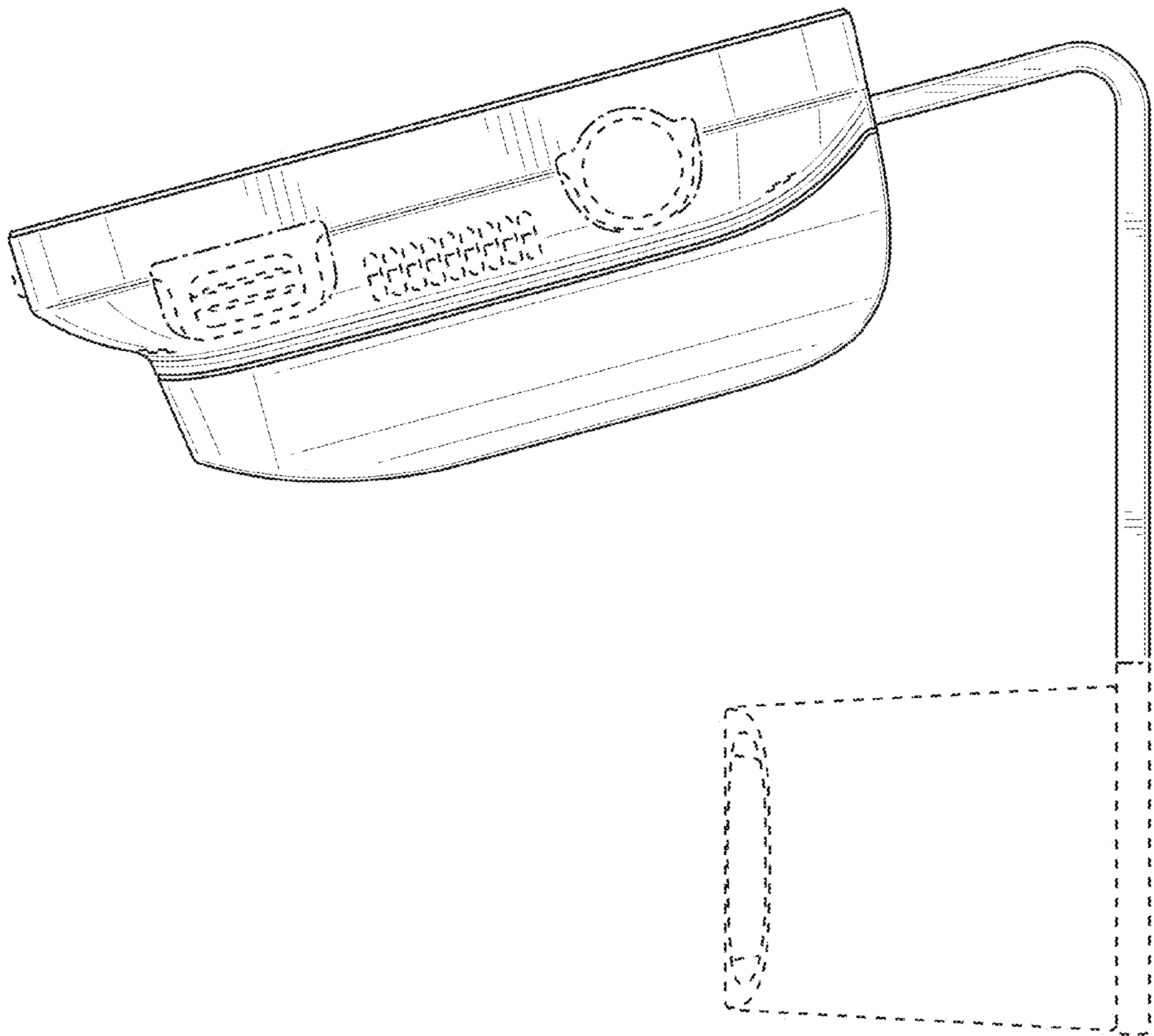


FIG. 5



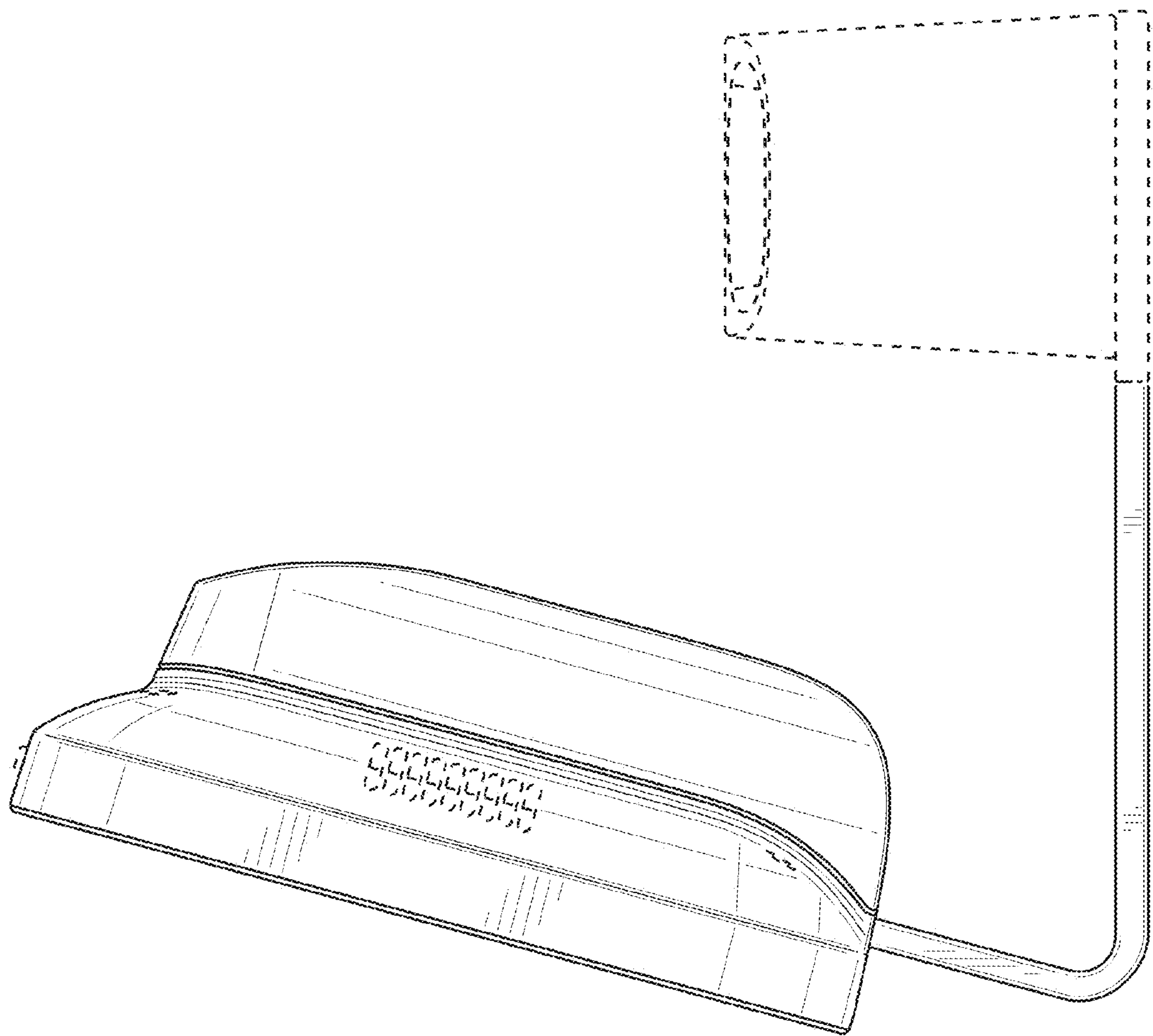
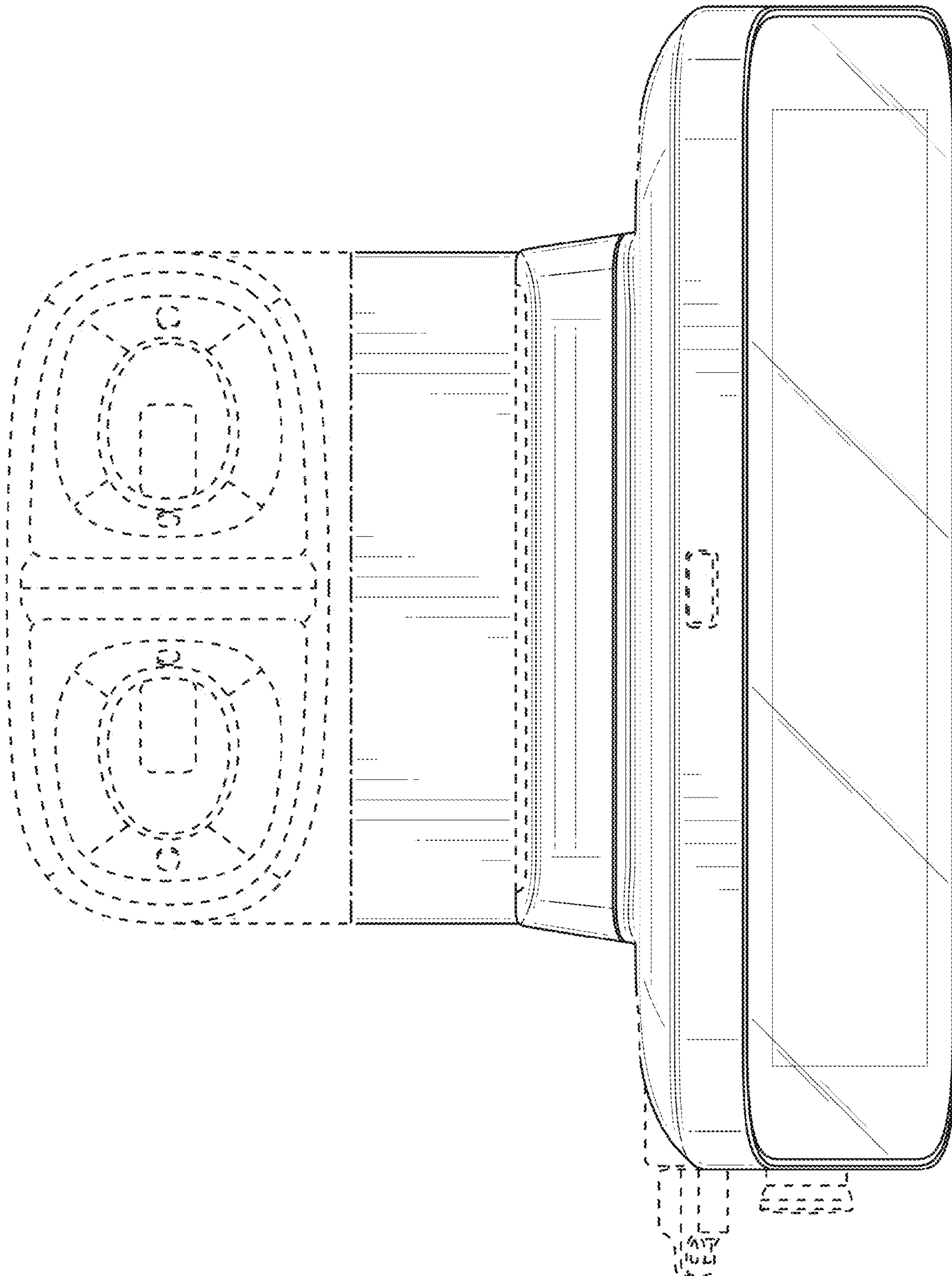


FIG. 6





**FIG. 7**

