



US00D922594S

(12) **United States Design Patent** (10) **Patent No.:** **US D922,594 S**  
**Akiyama** (45) **Date of Patent:** **\*\* Jun. 15, 2021**

(54) **COLD GEL PACK**  
(71) Applicant: **A-MEC Co., Ltd.**, Kofu (JP)  
(72) Inventor: **Takahiro Akiyama**, Yamanashi-ken (JP)  
(73) Assignee: **A-MEC CO., LTD.**, Kofu (JP)  
(\*\*) Term: **15 Years**

D831,384 S \* 10/2018 O'Neill ..... D6/601  
D887,174 S \* 6/2020 Bridgham ..... D6/601  
D888,261 S \* 6/2020 Fan ..... D24/206  
(Continued)

**FOREIGN PATENT DOCUMENTS**

IN 289451-0001 \* 12/2016  
JP D1565850 \* 12/2016  
(Continued)

**OTHER PUBLICATIONS**

Replacement Ice Pack. Yahoo! Japan (translated to English). Oldest review date: Jul. 6, 2017. Retrieved from internet: <https://store.shopping.yahoo.co.jp/ryozai-ya/hvkh001.html#> (Year: 2017).  
Comparative experiment of ice pack and introduction to horay world products. Youtube. Posting date: Oct. 17, 2018. Retrieved from internet: <https://www.youtube.com/watch?v=NiYbvlwQmV4> (Year: 2018).\*

(Continued)

*Primary Examiner* — Lilyana Bekic  
*Assistant Examiner* — Lee D. Starr  
(74) *Attorney, Agent, or Firm* — Browdy and Neimark, PLLC

(57) **CLAIM**

The ornamental design for a cold gel pack, as shown and described.

**DESCRIPTION**

FIG. 1 is a front elevational view of a cold gel pack showing my new design;  
FIG. 2 is a rear elevational view thereof;  
FIG. 3 is a left side view thereof, the left side and right side views being identical;  
FIG. 4 is a top plan view thereof, the top plan and bottom plan views being identical;  
FIG. 5 is a front perspective view thereof; and,  
FIG. 6 is a rear perspective view thereof.

**1 Claim, 6 Drawing Sheets**

(30) **Foreign Application Priority Data**

Mar. 25, 2019 (JP) ..... JP2019-006200

(51) **LOC (13) Cl.** ..... **24-04**

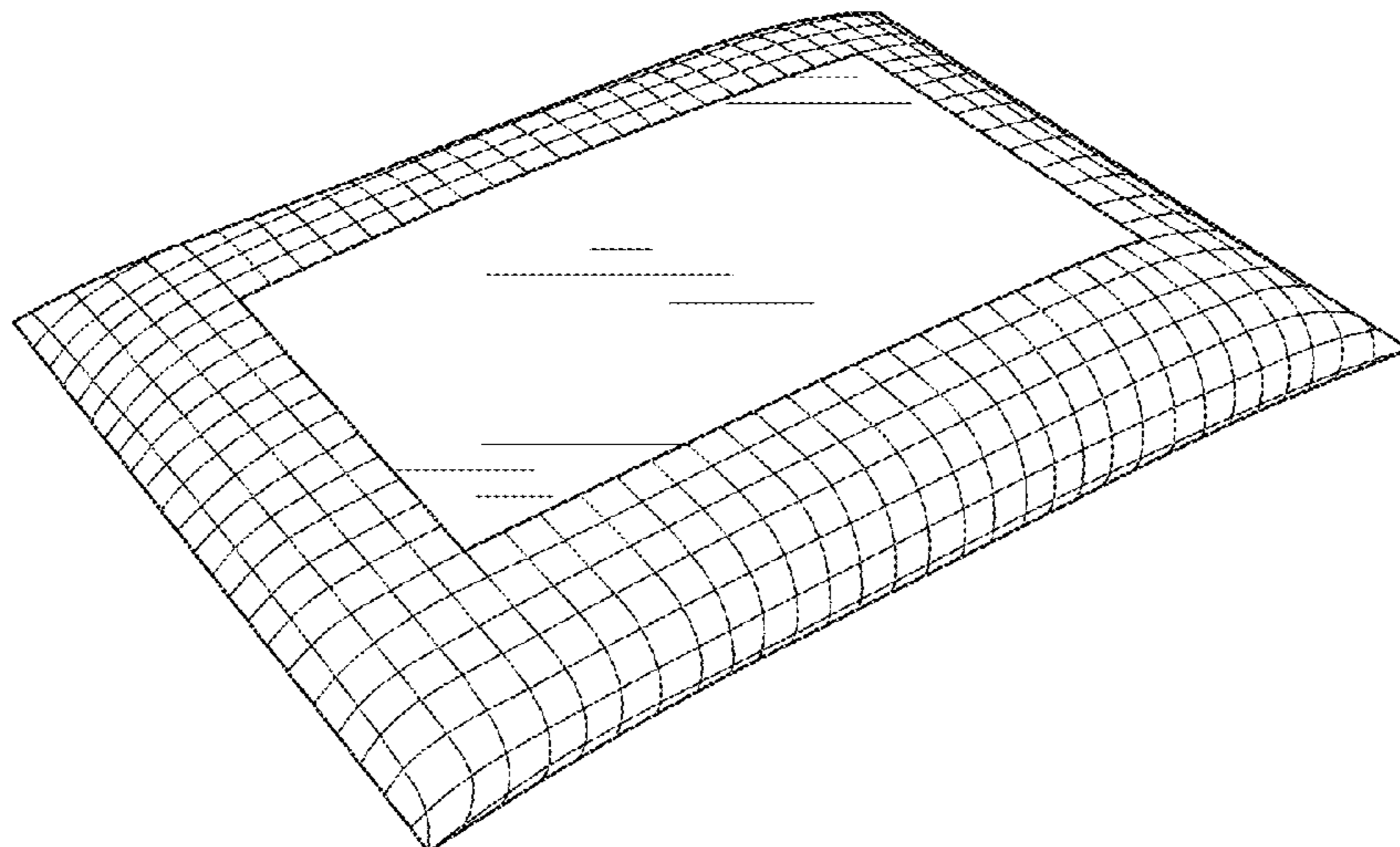
(52) **U.S. Cl.**  
USPC ..... **D24/206**; D24/207; D6/601

(58) **Field of Classification Search**  
USPC ..... D24/206, 207, 200, 190, 191; D6/601, D6/604  
CPC .... A61F 7/02; A61F 7/10; A61F 7/106; A61F 2007/0001; A61F 2007/0024-0027; A61F 2007/0029; A61F 2007/0091; A61F 2007/0092; A61F 2007/0215; A61F 2007/0217; A61F 2007/0219  
See application file for complete search history.

(56) **References Cited**

**U.S. PATENT DOCUMENTS**

D243,476 S \* 2/1977 Avery ..... D24/187  
4,268,272 A \* 5/1981 Taura ..... A47J 36/28  
44/253  
4,404,820 A \* 9/1983 Romaine ..... F28D 20/023  
62/530  
4,953,550 A \* 9/1990 Dunshee ..... A61F 7/03  
383/102  
5,031,418 A \* 7/1991 Hirayama ..... C09K 5/066  
62/530  
D485,723 S \* 1/2004 Salazar ..... D6/601  
D804,046 S \* 11/2017 Whitely ..... D24/207



(56)

References Cited

U.S. PATENT DOCUMENTS

D888,973 S \* 6/2020 Fan ..... D24/206  
D896,547 S \* 9/2020 Huang ..... D6/601  
2007/0256677 A1\* 11/2007 Yim ..... A61F 7/03  
126/263.02  
2010/0217363 A1\* 8/2010 Whitely ..... A61F 7/02  
607/112  
2015/0173942 A1\* 6/2015 Whitely ..... A61F 7/02  
607/114  
2019/0254865 A1\* 8/2019 Eddy ..... F25D 3/08  
2019/0307270 A1\* 10/2019 Blum ..... A47G 9/1036

FOREIGN PATENT DOCUMENTS

KR 300852844.0000 \* 5/2015  
KR 300857262.0000 \* 5/2015

OTHER PUBLICATIONS

Steiner 15A56 Reversible Aluminized Fiberglass Glove. Amazon.  
Date first available: Dec. 10, 2018. Retrieved from internet: <https://www.amazon.com/Steiner-15A56-Reversible-Aluminized-Fiberglass/dp/B07FQXR7GC> (Year: 2018).\*

Self-adhering aluminized heat shield blanket. Hisco. Date viewed: Dec. 3, 2020. Retrieved from internet: <https://www.hisco.com/Product/235-4010-10123> (Year: 2020).\*

Heat insulation material texture (photo) by Anatskwong, Sep. 23, 2016. Depositphotos. Retrieved from internet: <https://depositphotos.com/124504010/stock-photo-heat-insulation-material-texture.html> (Year: 2016).\*

\* cited by examiner

FIG. 1

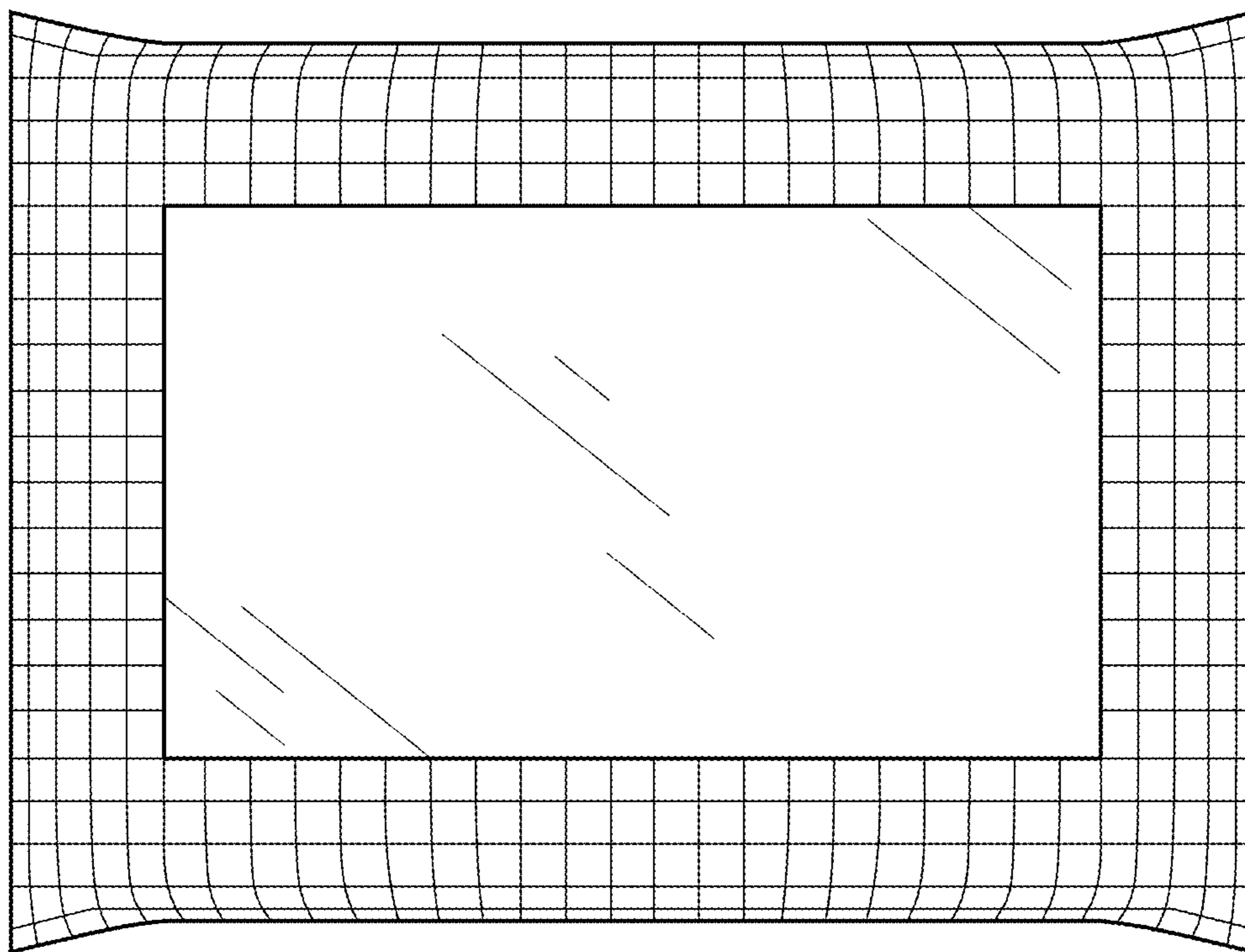


FIG. 2

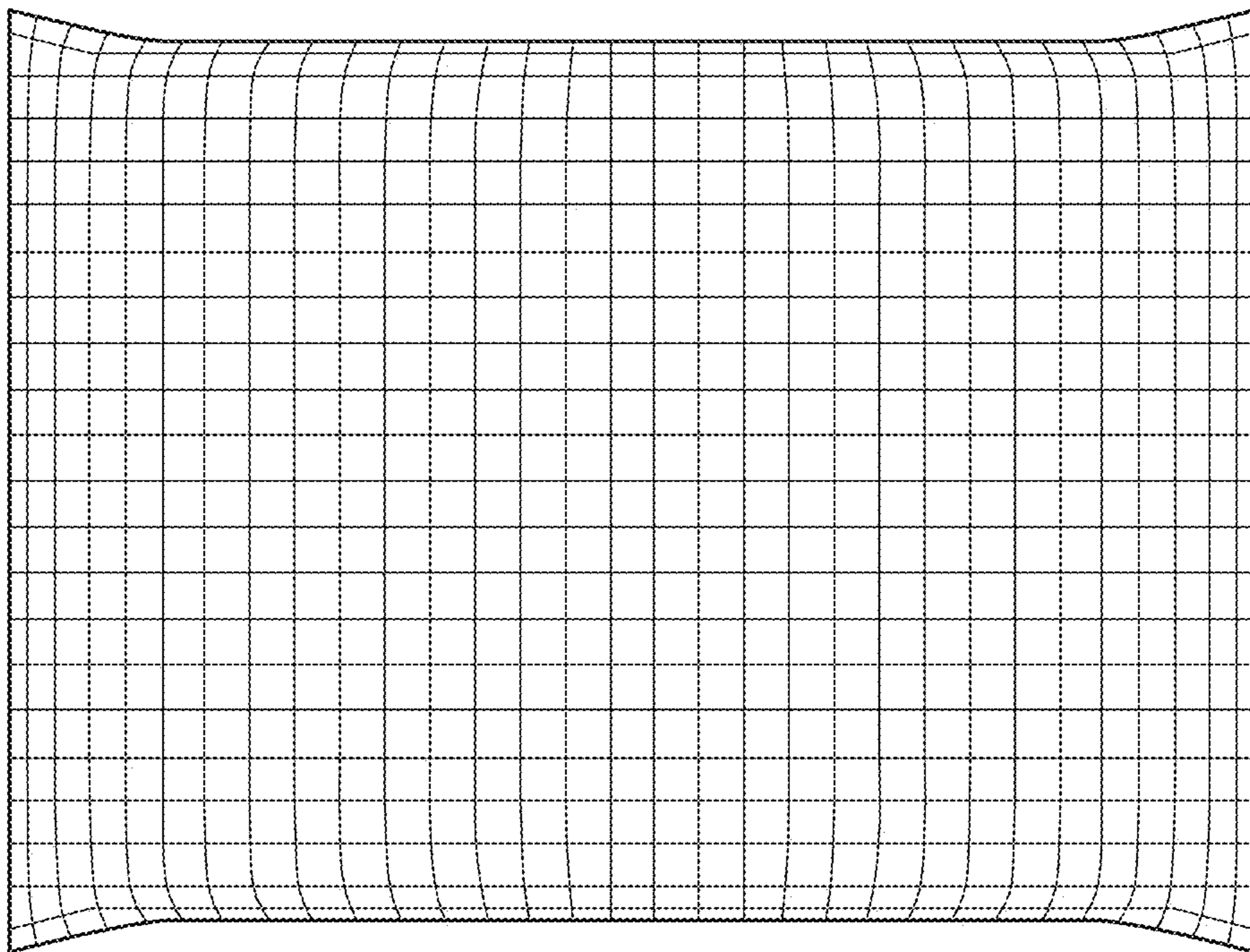


FIG. 3



FIG. 4

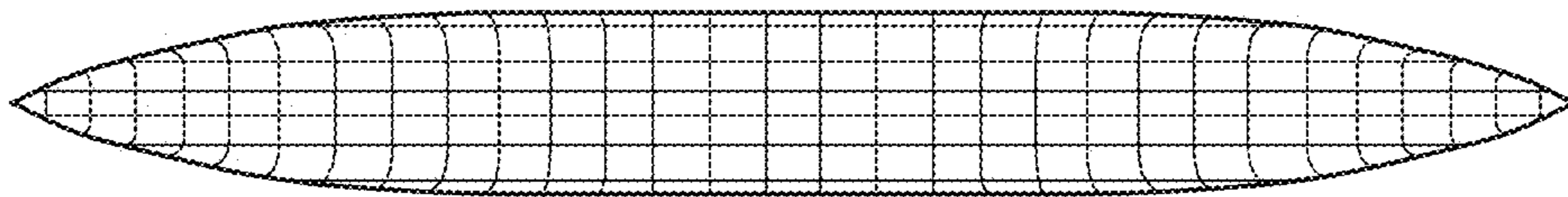


FIG. 5

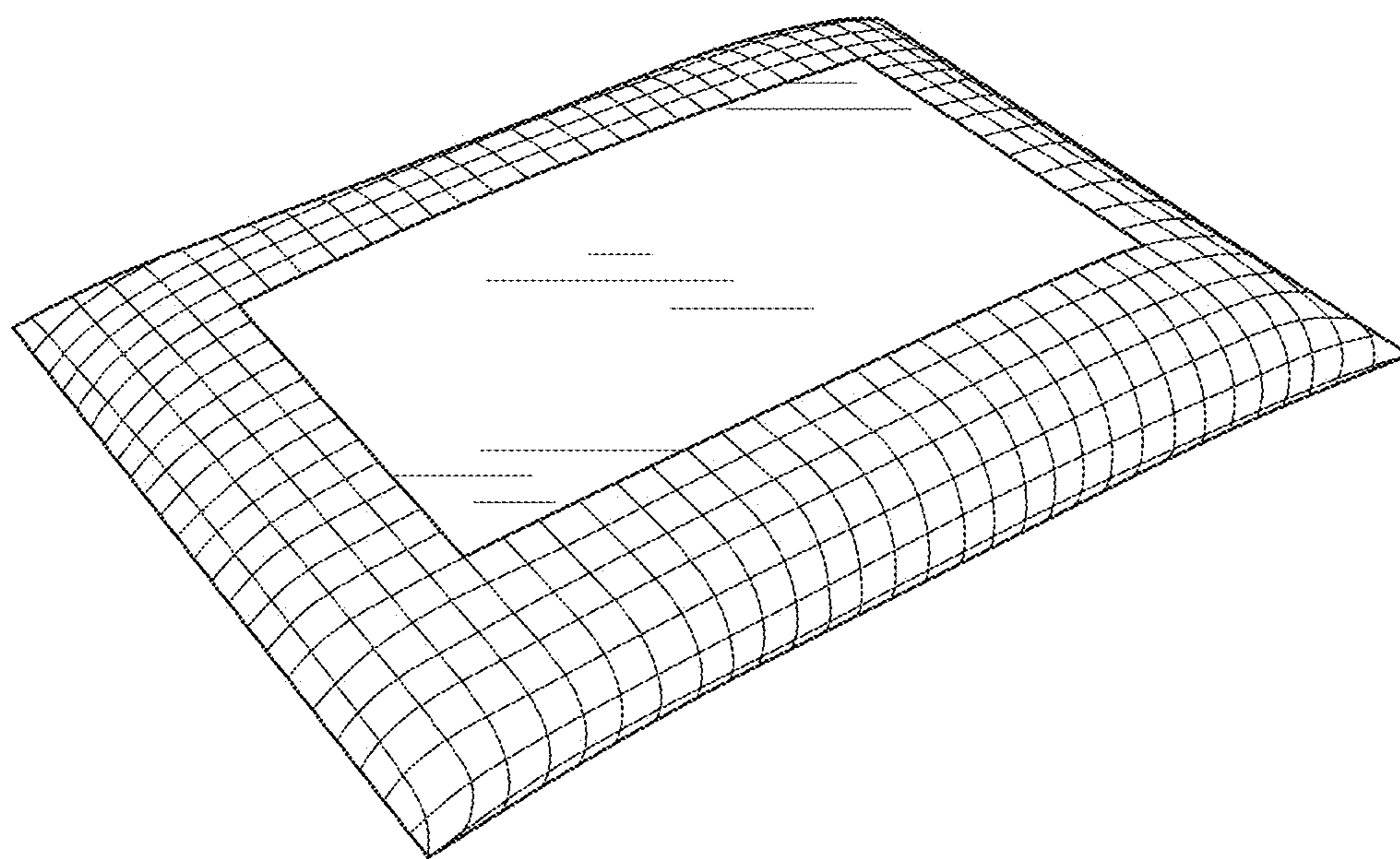


FIG. 6

