



US00D922591S

(12) **United States Design Patent** (10) **Patent No.:** **US D922,591 S**  
**Douglas et al.** (45) **Date of Patent:** **\*\* Jun. 15, 2021**

(54) **PACIFIER HANDLE**

(71) Applicant: **Quintessential Tots, LLC**, Naperville, IL (US)

(72) Inventors: **Kelly Douglas**, Naperville, IL (US);  
**Maureen Salazar**, Chicago, IL (US)

(73) Assignee: **Quintessential Tots, LLC**, Naperville, IL (US)

(\*\*) Term: **15 Years**

(21) Appl. No.: **29/723,285**

(22) Filed: **Feb. 5, 2020**

(51) **LOC (13) Cl.** ..... **24-04**

(52) **U.S. Cl.**  
USPC ..... **D24/194**

(58) **Field of Classification Search**  
USPC ..... D24/194, 195, 196; D30/160  
CPC ..... A61J 17/001  
See application file for complete search history.

(56) **References Cited**

**U.S. PATENT DOCUMENTS**

D413,387 S *	8/1999	Fitzpatrick	.....	D24/194
D440,718 S *	4/2001	Florance	.....	D30/160
D477,411 S *	7/2003	Kroepel	.....	D24/194
6,776,157 B2 *	8/2004	Williams	.....	A61J 7/0053 128/203.12
D539,430 S *	3/2007	Lowsky, Jr.	.....	D24/194
D594,559 S *	6/2009	Kliegman	.....	D24/194
D602,299 S *	10/2009	Heroux	.....	D6/601
D872,385 S *	1/2020	Soto	.....	D30/160
D890,453 S *	7/2020	Blair	.....	D30/160
2003/0100922 A1 *	5/2003	Fitzpatrick	.....	A61J 17/001 606/234
2009/0248074 A1 *	10/2009	Kliegman	.....	A61J 17/001 606/236
2009/0249571 A1 *	10/2009	Rohrig	.....	A46B 5/02 15/167.2
2019/0254933 A1 *	8/2019	Lake	.....	A61J 17/001

**OTHER PUBLICATIONS**

“Itzy Ritzy: Sweetie Soother Pacifier 2 pack: Bow, Braid, Twist”. Found online Mar. 19, 2021 at amazon.com. Reference dated Jan. 10, 2020. Retrieved from [https://www.amazon.com/Itzy-Ritzy-Pacifiers-Collapsible-Sugarplum/dp/B081SM2F1B/ref=cm\\_cr\\_ar\\_p\\_d\\_product\\_top?ie=UTF8](https://www.amazon.com/Itzy-Ritzy-Pacifiers-Collapsible-Sugarplum/dp/B081SM2F1B/ref=cm_cr_ar_p_d_product_top?ie=UTF8).\*

“Boon Inc: Jewl Pacifier”. Found online Apr. 3, 2020 at facebook.com. Reference dated Jun. 3, 2019. Retrieved from <https://www.facebook.com/booninc/photos/a.160412824261/10156777600174262/?type=3>.\*

“ChewBeads: Mulberry Teether”. Found online Jul. 3, 2019 at mbeans.com. Reference dated Aug. 3, 2013. Retrieved from <https://mbeans.com/chewbeads-mulberry-teether>.\*

“Itzy Ritzy: Bitzy Biter Lemon Teething Ball”. Found online Jan. 21, 2020 at amazon.com. Reference dated Jan. 16, 2019. Retrieved from [https://www.amazon.com/Itzy-Ritzy-Teething-Training-Toothbrush/dp/B07M7D6PY3/ref=cm\\_cr\\_ar\\_p\\_d\\_product\\_top?ie=UTF8&th=1](https://www.amazon.com/Itzy-Ritzy-Teething-Training-Toothbrush/dp/B07M7D6PY3/ref=cm_cr_ar_p_d_product_top?ie=UTF8&th=1).\*

Ryan & Rose webpage—<https://www.ryanandrose.co>—three (3) pages.

\* cited by examiner

*Primary Examiner* — Kendra Leslie Hamilton

(74) *Attorney, Agent, or Firm* — Greenberg Traurig, LLP

(57) **CLAIM**

The ornamental design for a pacifier handle, as shown and described.

**DESCRIPTION**

FIG. 1 is a top perspective view of a pacifier handle showing my new design;

FIG. 2 is top plan view thereof;

FIG. 3 is a bottom plan view thereof;

FIG. 4 is a front side elevational view thereof;

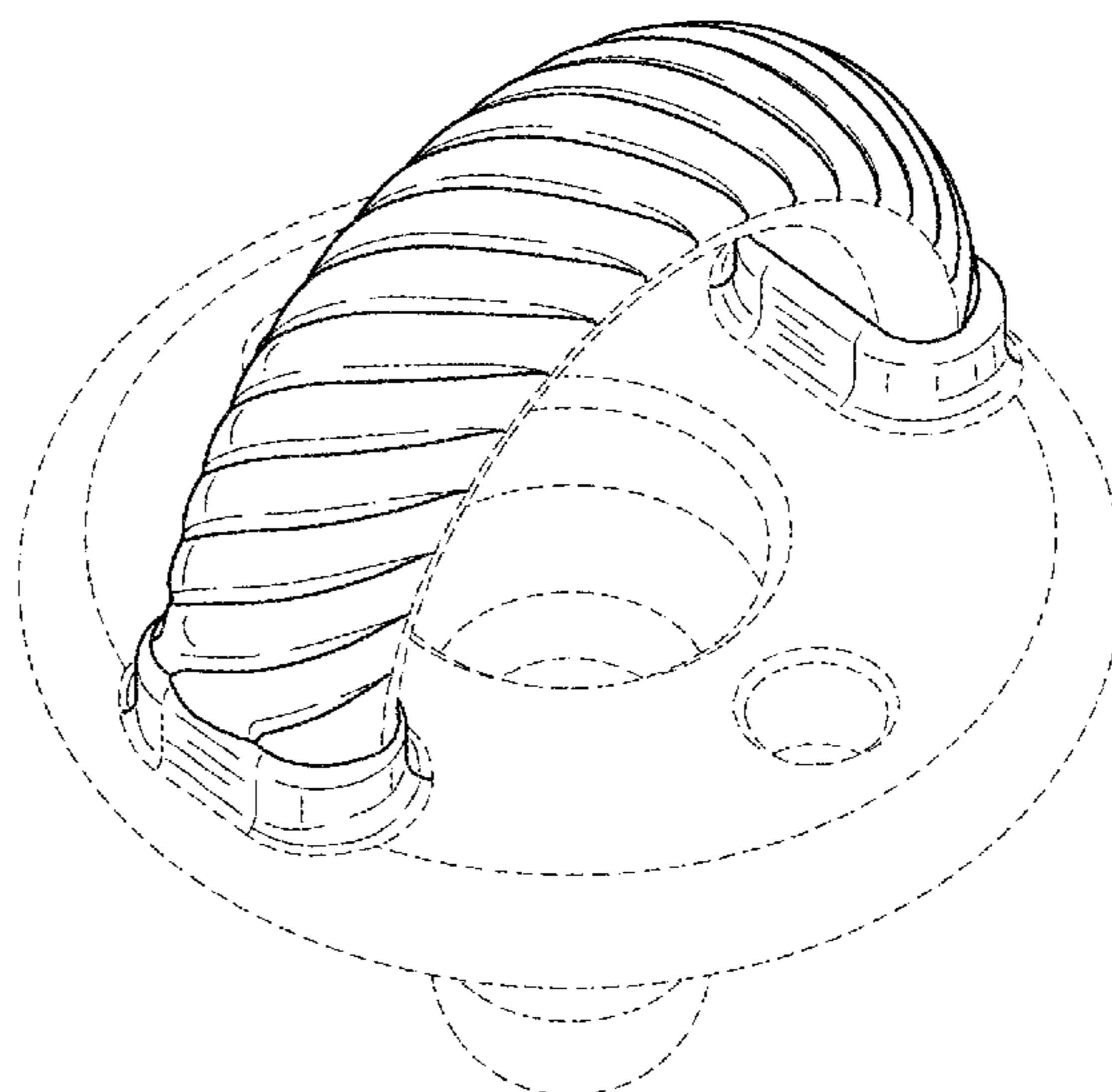
FIG. 5 is a rear side elevational view thereof;

FIG. 6 is a left side elevational view thereof; and,

FIG. 7 is a right side elevational view thereof.

The broken lines depict portions of the pacifier that form no part of the claimed design.

**1 Claim, 4 Drawing Sheets**



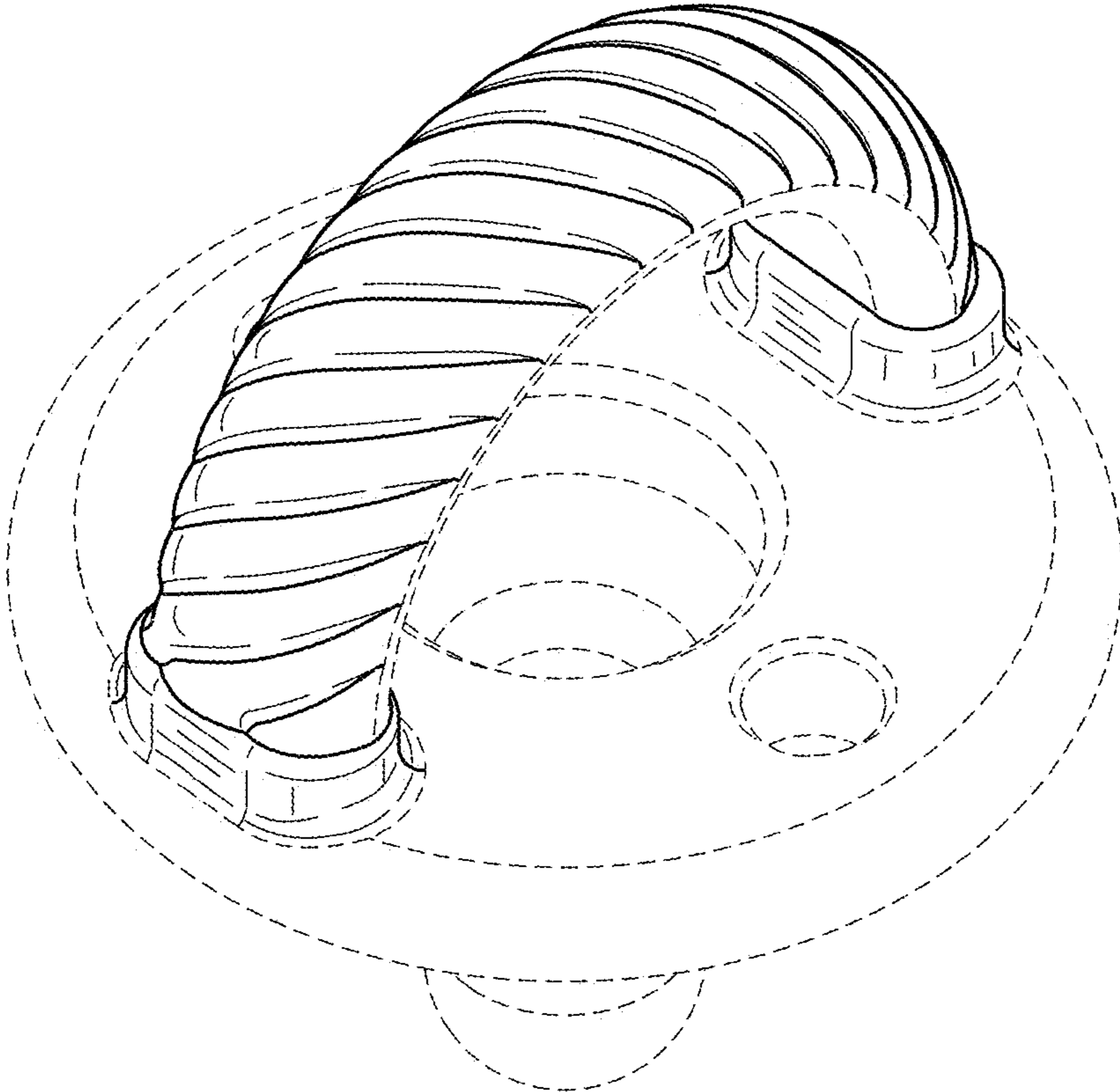


FIG. 1

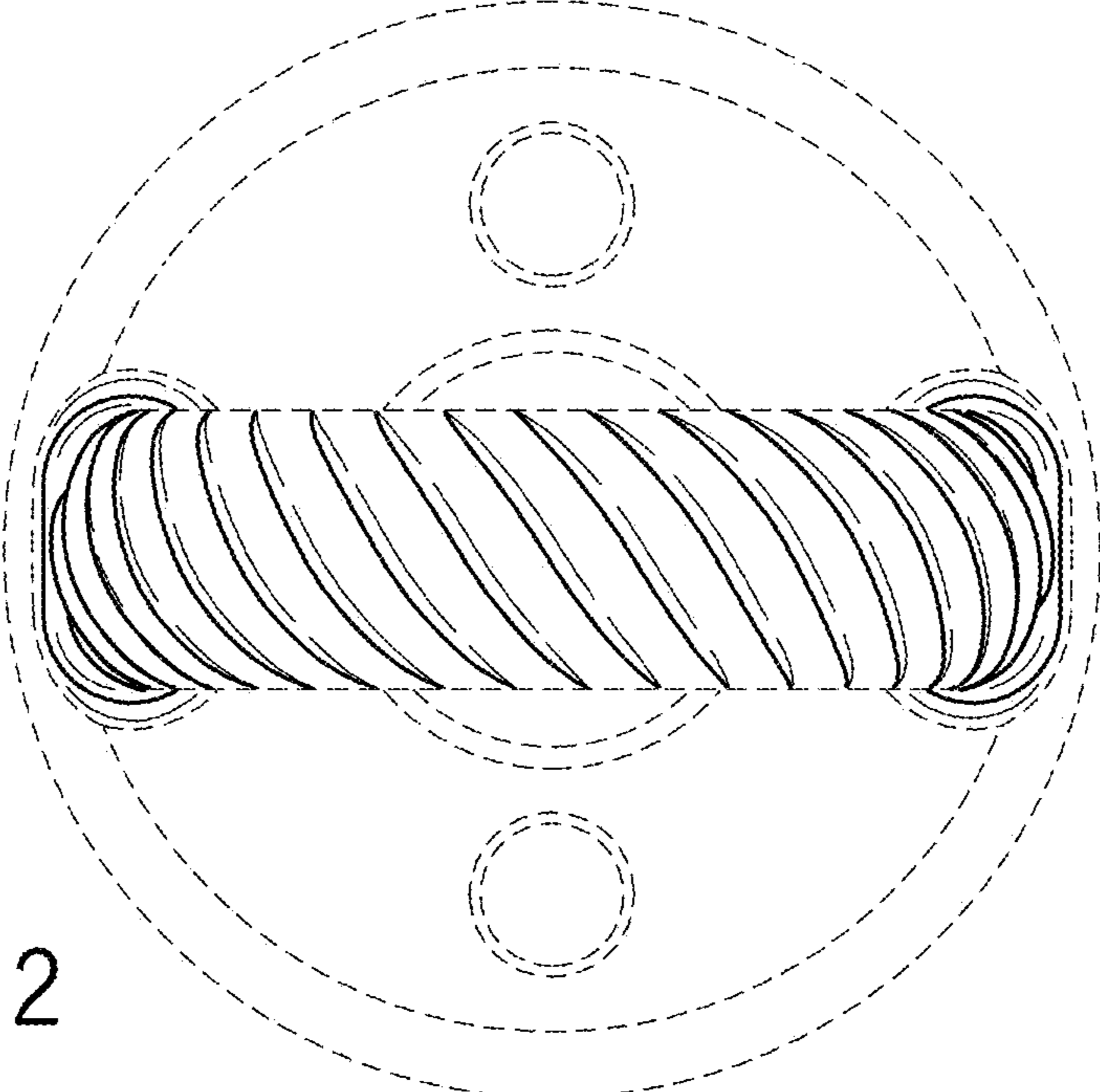


FIG. 2

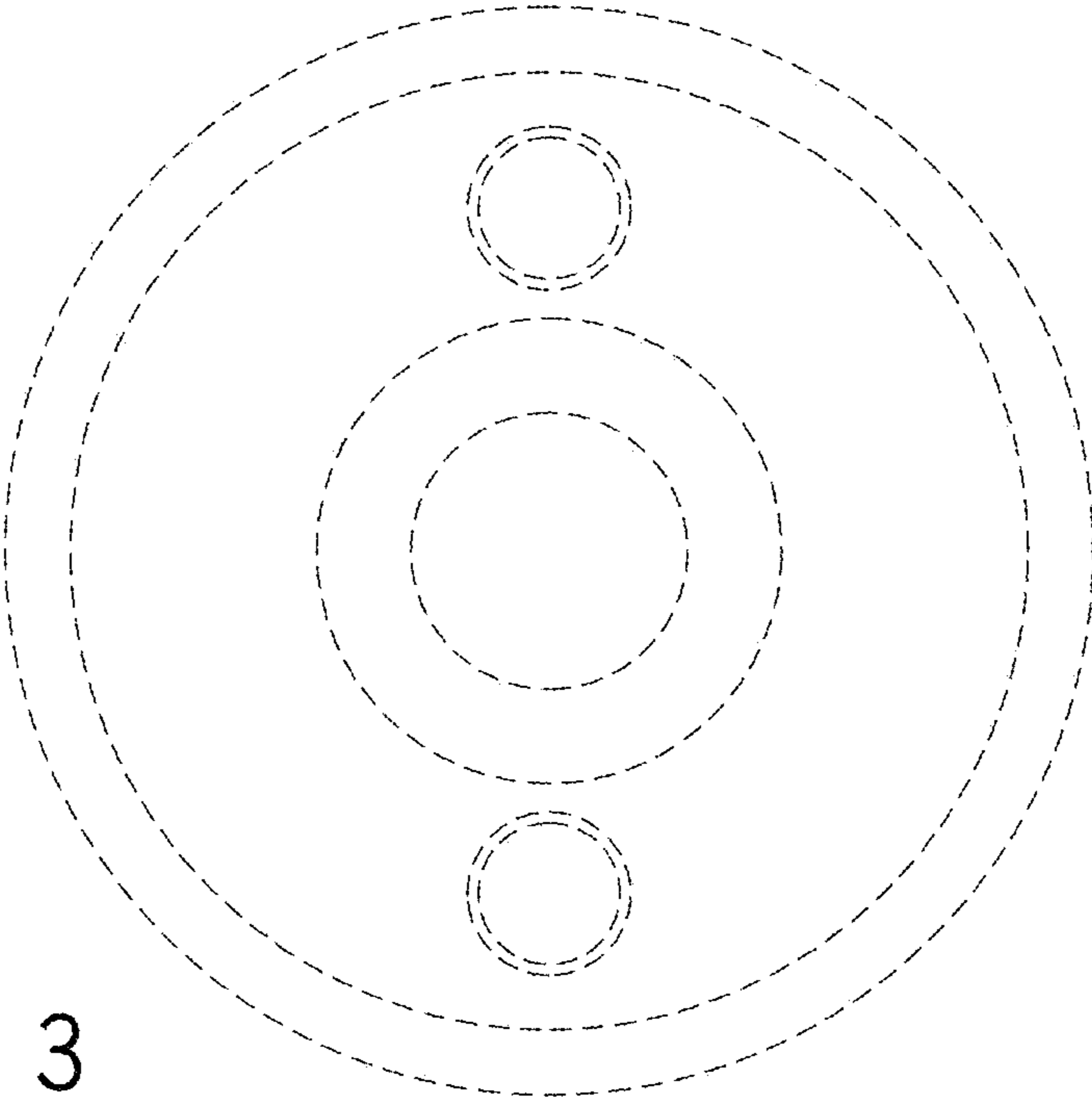


FIG. 3

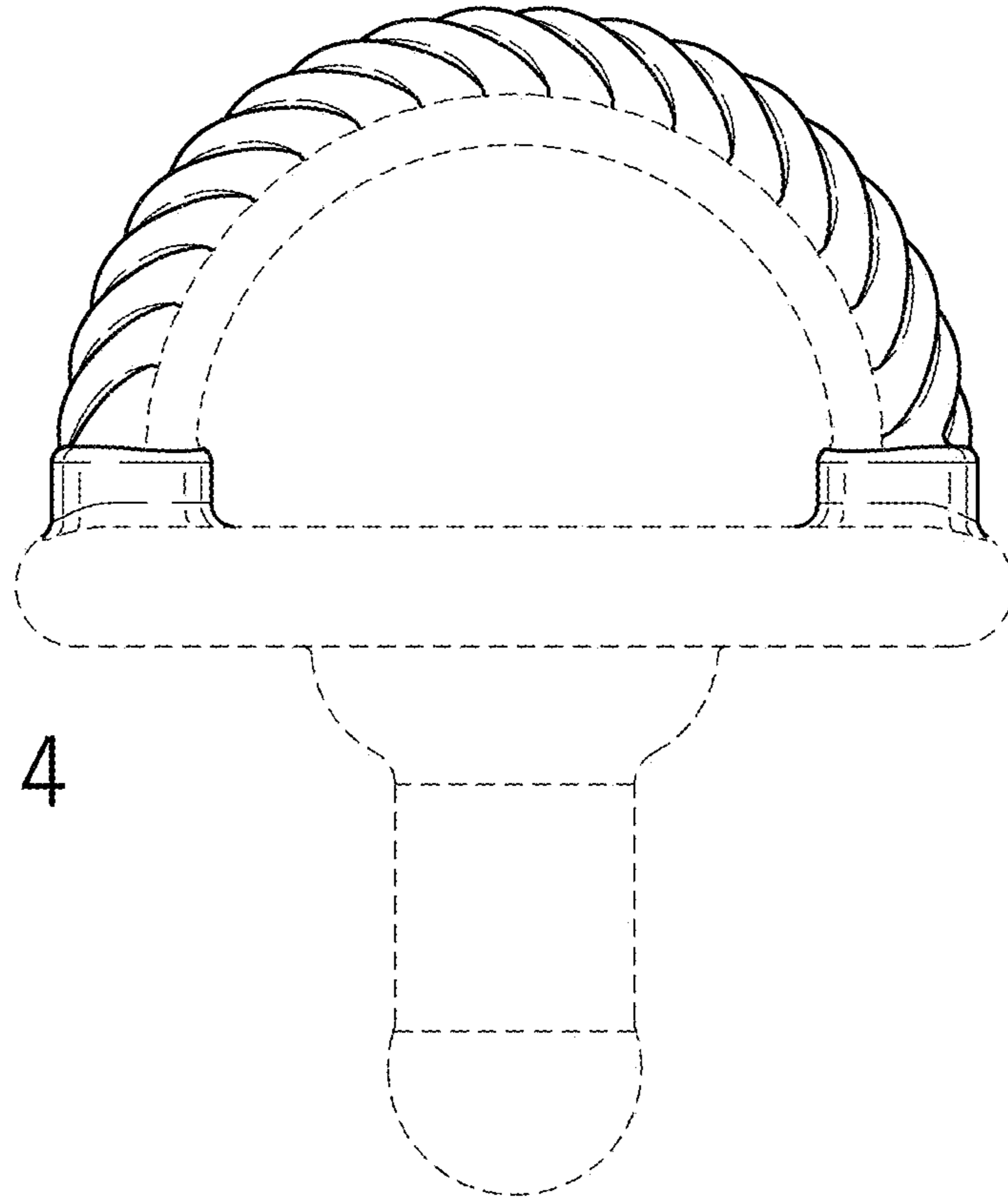


FIG. 4

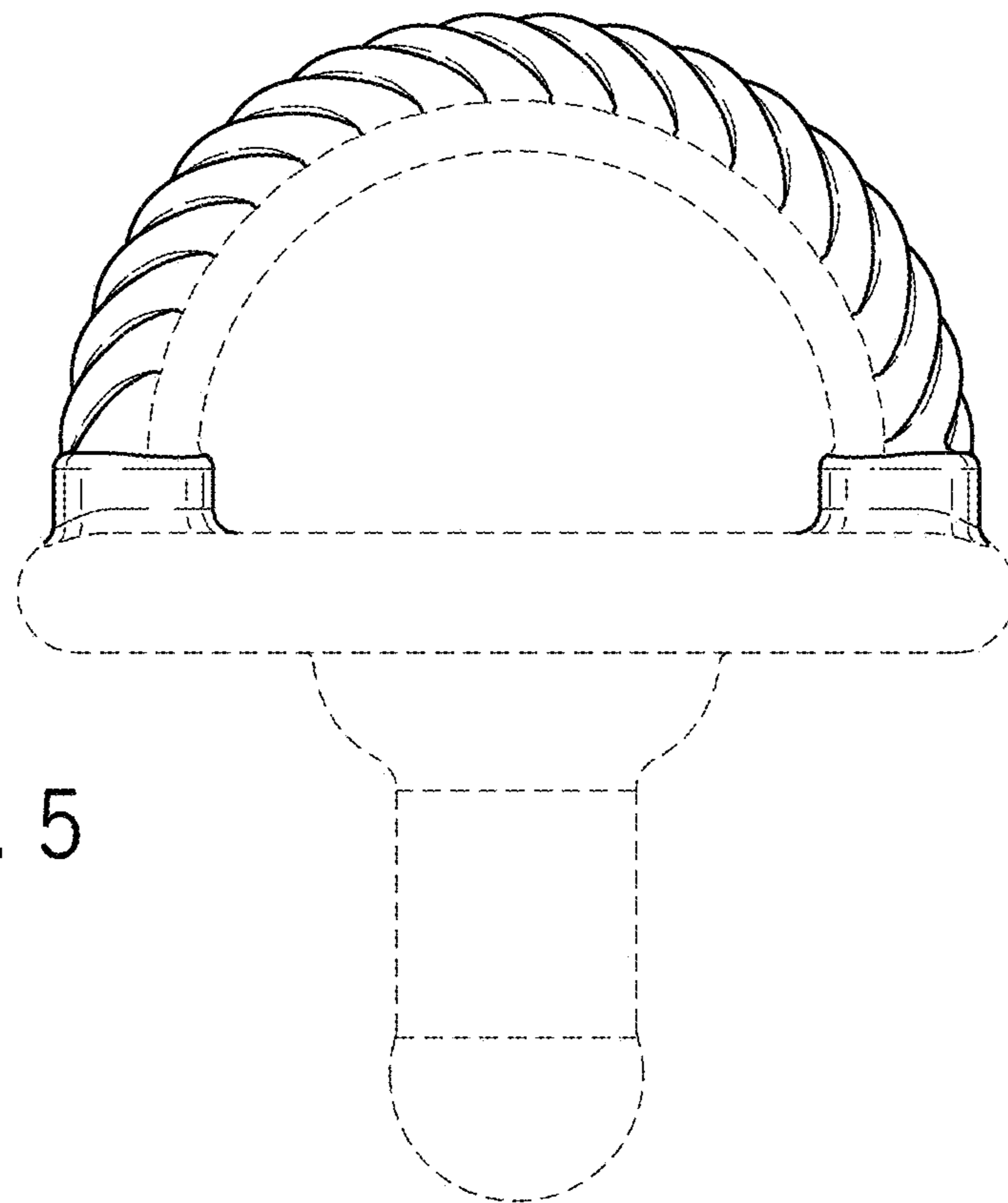


FIG. 5

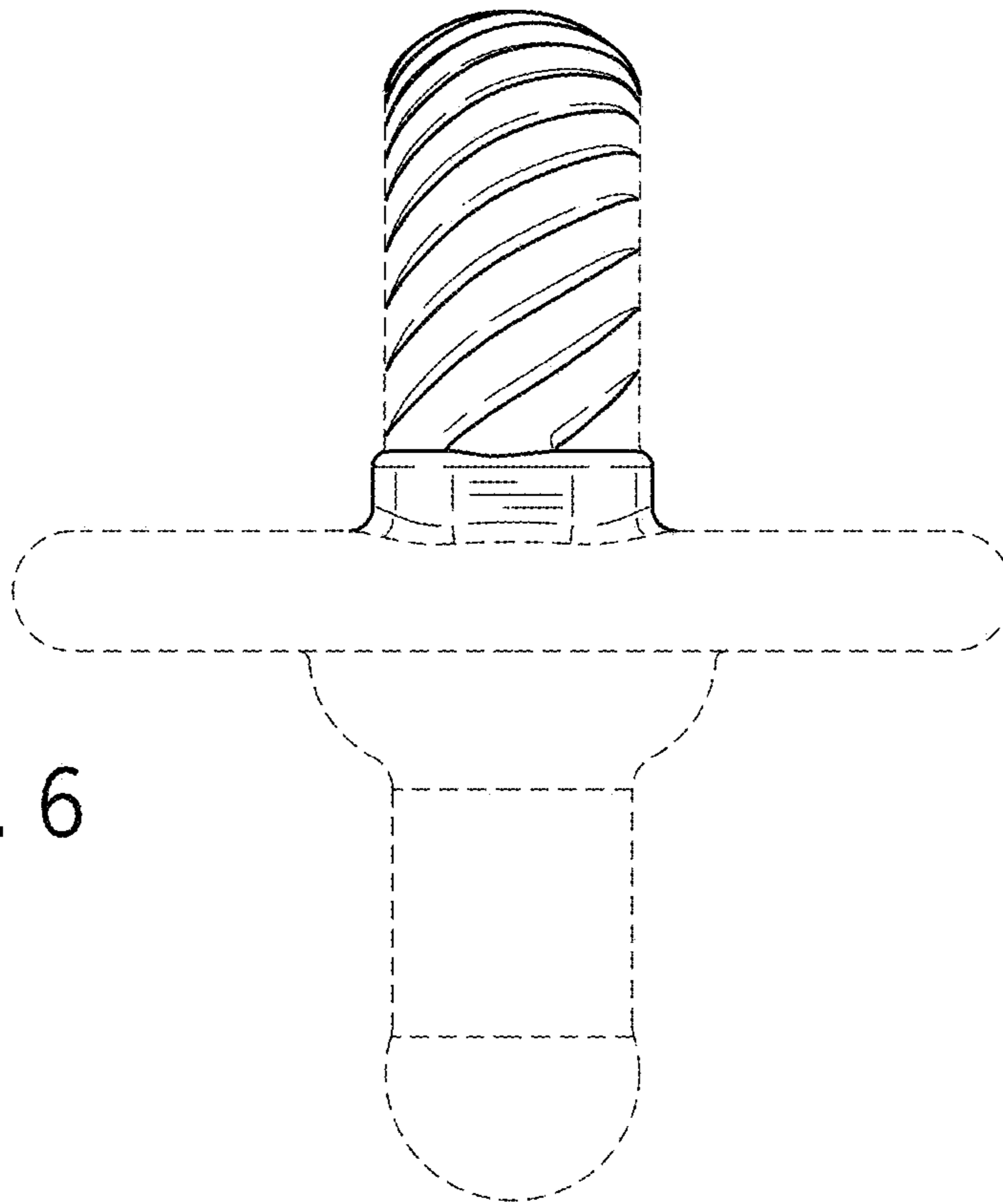


FIG. 6

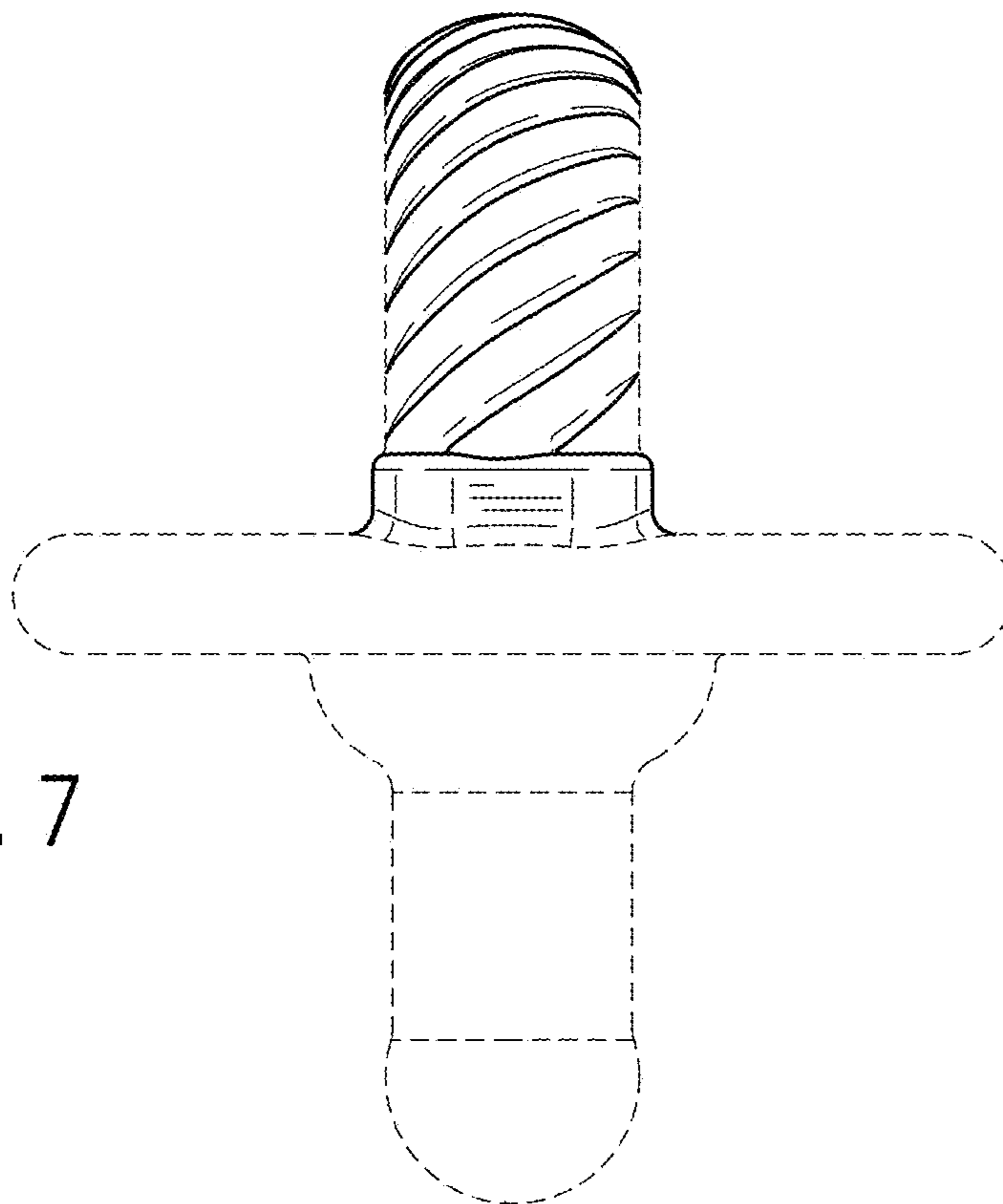


FIG. 7