



US00D922589S

(12) **United States Design Patent** (10) **Patent No.:** **US D922,589 S**
Jalinous (45) **Date of Patent:** **** Jun. 15, 2021**

- (54) **COIL**
- (71) Applicant: **Reza Jalinous**, Winchester, MA (US)
- (72) Inventor: **Reza Jalinous**, Winchester, MA (US)
- (**) Term: **15 Years**
- (21) Appl. No.: **29/690,423**
- (22) Filed: **Sep. 8, 2020**
- (51) **LOC (13) Cl.** **24-02**
- (52) **U.S. Cl.**
USPC **D24/187**
- (58) **Field of Classification Search**
USPC D24/186, 187, 190, 191, 200, 214, 215;
D10/81
CPC A61N 2/008
See application file for complete search history.

(56) **References Cited**

U.S. PATENT DOCUMENTS

D112,023 S	11/1938	Martinson	
D318,330 S	7/1991	Doty	
D357,069 S	4/1995	Plahn	
D442,694 S *	5/2001	Cheng	D24/200
D482,453 S *	11/2003	Wade	D24/200
D571,920 S	6/2008	Juliana	
D607,712 S	1/2010	Kelleghan	
D699,359 S	2/2014	Lindekugel	
D716,457 S *	10/2014	Brefka	D24/186
D735,873 S *	8/2015	Brefka	D24/200
D742,535 S	11/2015	Wu	
D770,635 S	11/2016	Cole	
D770,992 S	11/2016	Tauchi	
D776,822 S	1/2017	McKinley	
D810,952 S *	2/2018	Hsu	D24/200
D813,405 S *	3/2018	Ho	D24/200
D861,905 S *	10/2019	Ho	D24/200
10,589,086 B2 *	3/2020	Sacristan	A61N 1/40
10,589,117 B1 *	3/2020	Fischell	A61N 2/008
D882,092 S *	4/2020	Rheineck	D24/158
D886,304 S *	6/2020	Galkina	D24/187

D895,130 S *	9/2020	Wise	D24/211
2013/0267763 A1 *	10/2013	Schneider	A61N 2/008 600/13
2013/0303827 A1 *	11/2013	Feng	A61H 23/06 600/9
2013/0317281 A1 *	11/2013	Schneider	A61N 2/008 600/13

(Continued)

OTHER PUBLICATIONS

Tadpole Coil. Online, published date unknown. Retrieved on Sep. 18, 2020 from URL: https://www.jaltron-coils.com/tadpole-coil.*

Primary Examiner — Janice Hallmark
Assistant Examiner — Omeed Agilee
(74) *Attorney, Agent, or Firm* — Lambert Shortell & Connaughton; David J. Connaughton, Jr.

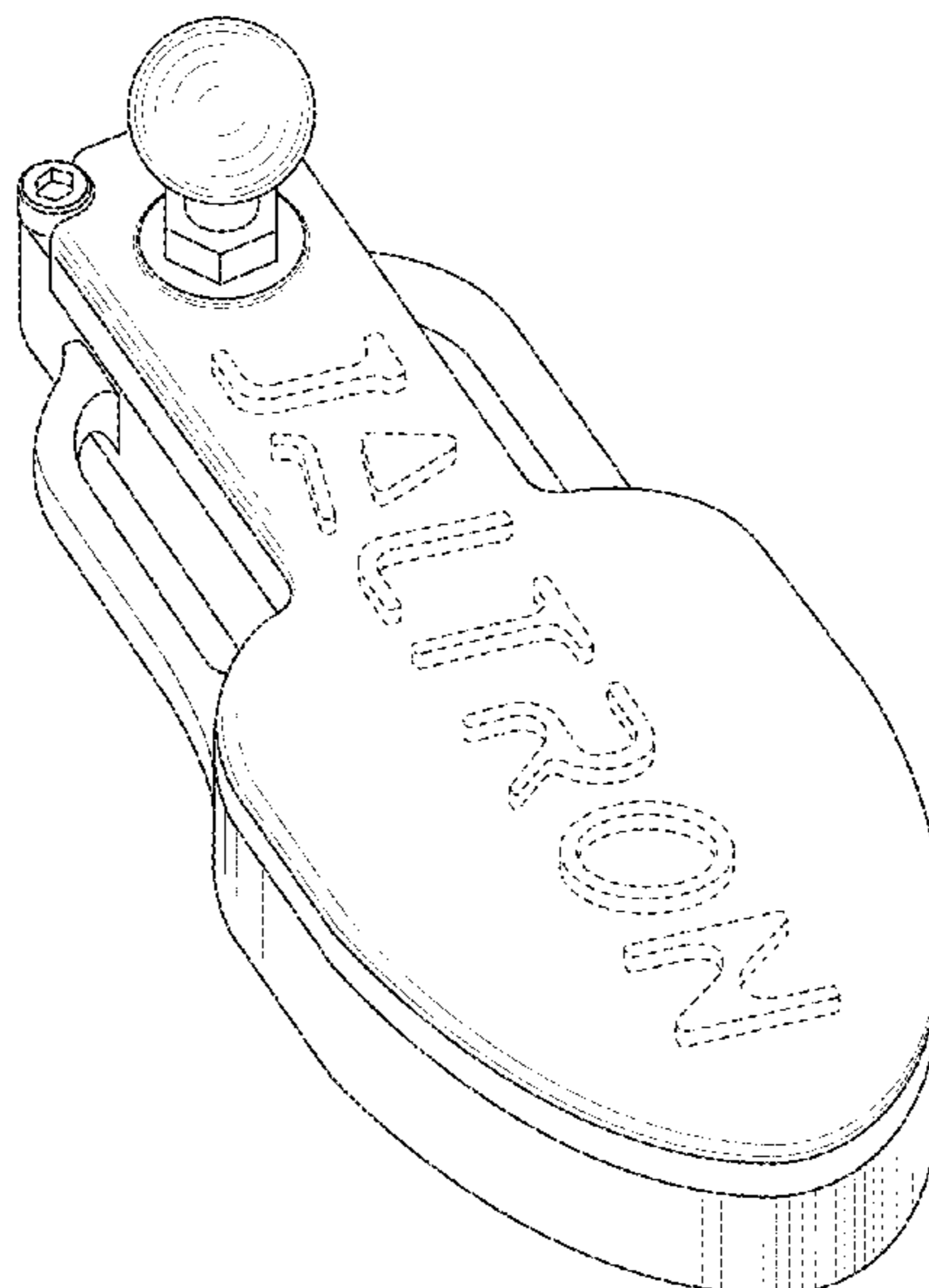
(57) **CLAIM**

The ornamental design for a coil, as shown and described.

DESCRIPTION

FIG. 1 is an isometric view of the front of a coil, which embodies my design;
FIG. 2 is an isometric view of the back of a coil;
FIG. 3 is a top plan view of a coil;
FIG. 4 is a bottom plan view of a coil;
FIG. 5 is a side view of a coil;
FIG. 6 is a side view of a coil;
FIG. 7 is a side view of a coil; and,
FIG. 8 is a side view of a coil.
The intended use of the article is a transcranial magnetic stimulation coil.
The dash lines depict portions of the coil that form no part of the claimed design.
The dot dash dot broken line depict the boundary claim and form no part of the claimed design.

1 Claim, 5 Drawing Sheets



(56)

References Cited

U.S. PATENT DOCUMENTS

2014/0039573 A1* 2/2014 Jindra H01M 10/48
607/48

* cited by examiner

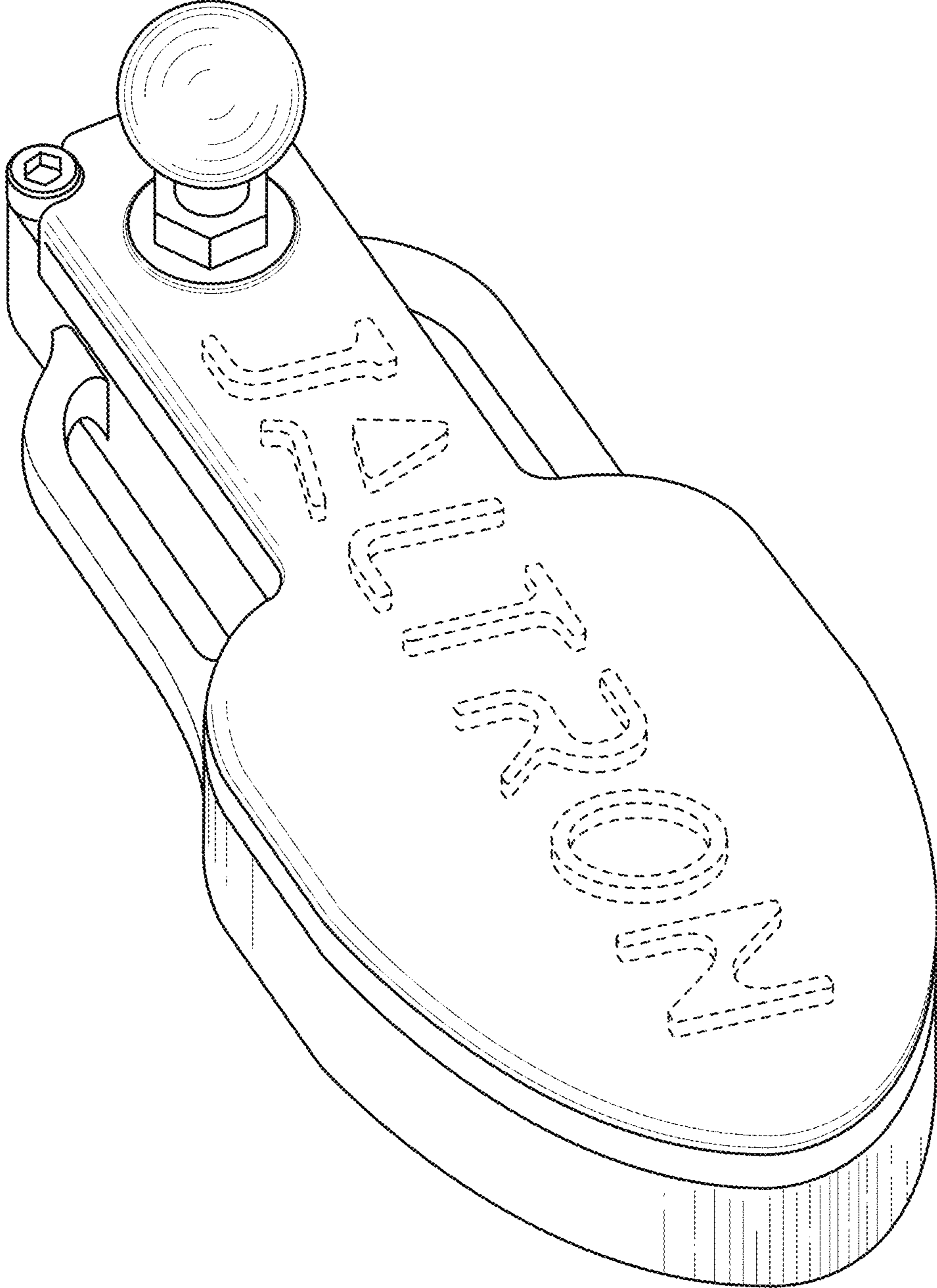


Fig. 1

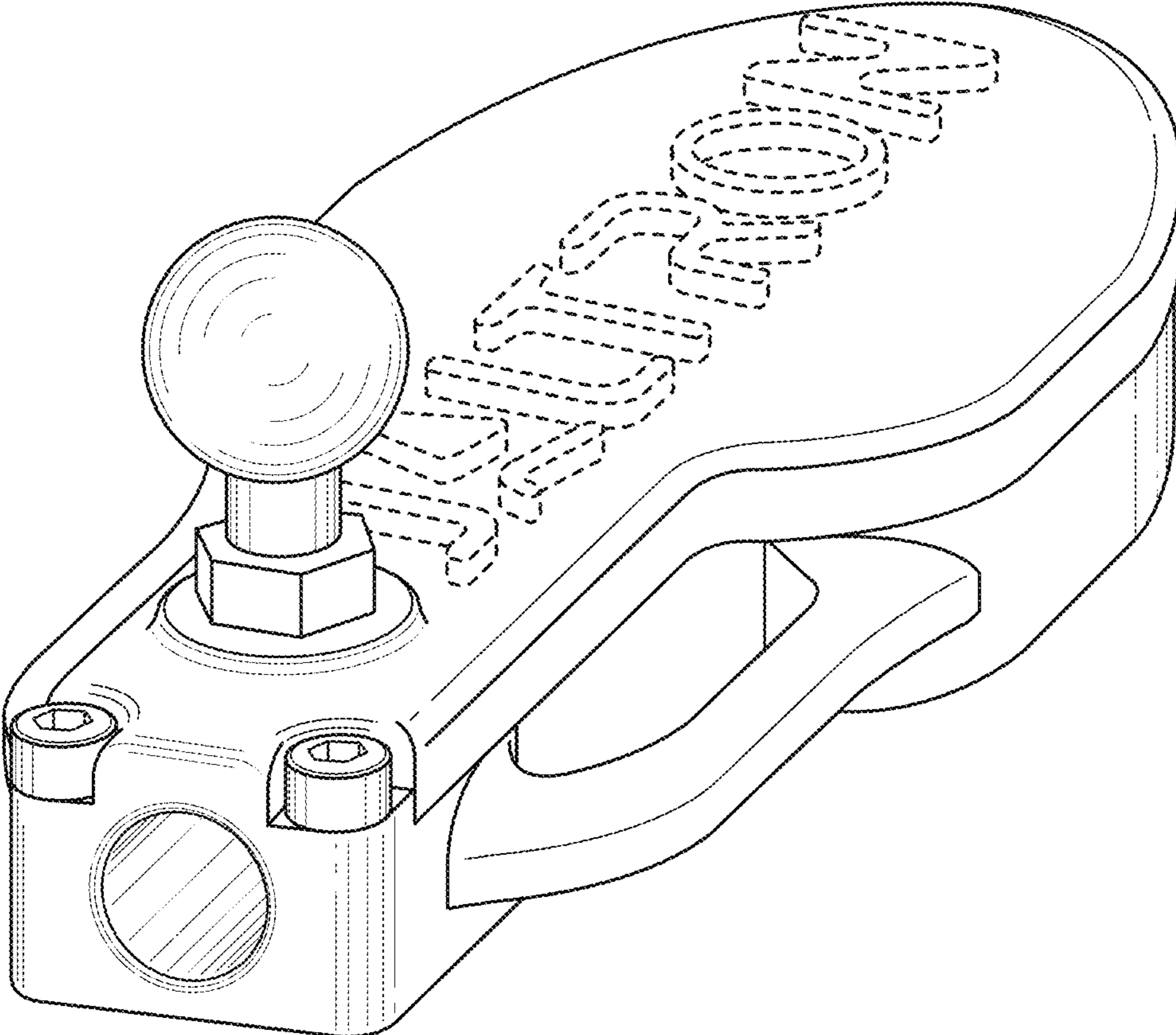


Fig. 2

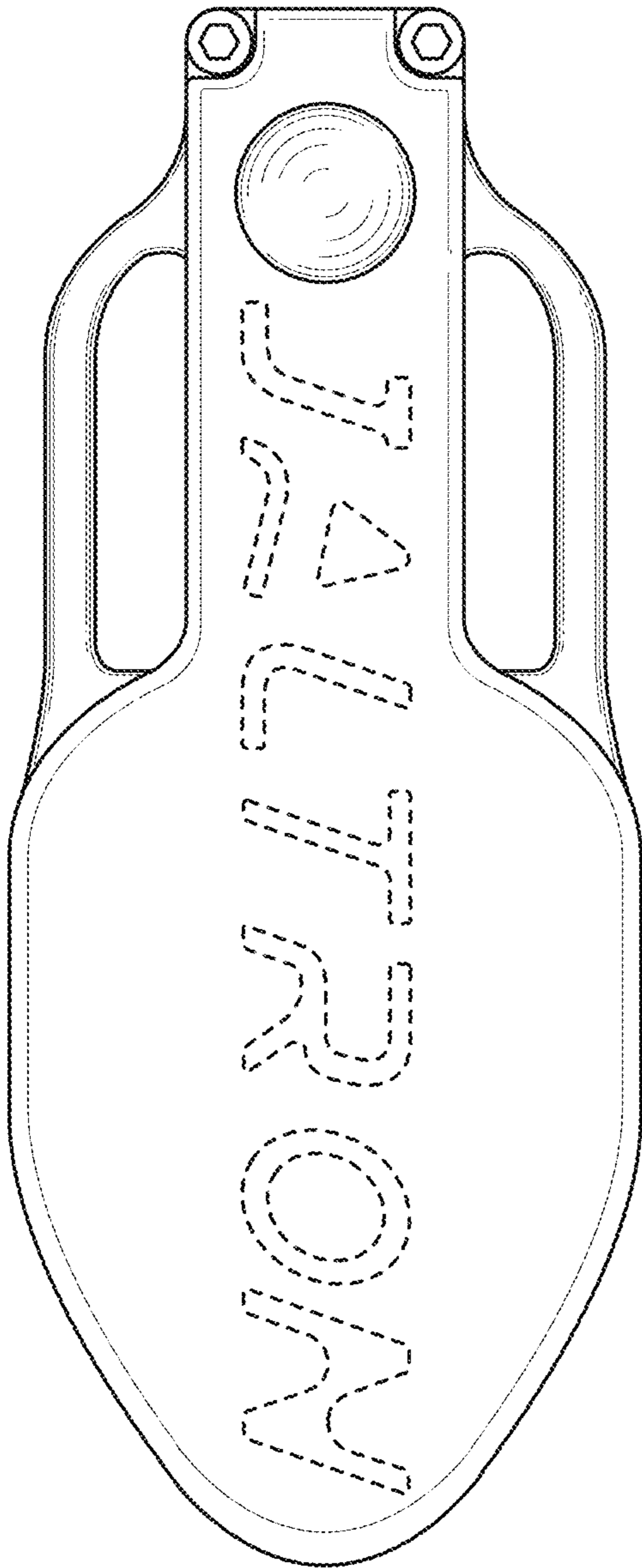


Fig. 3

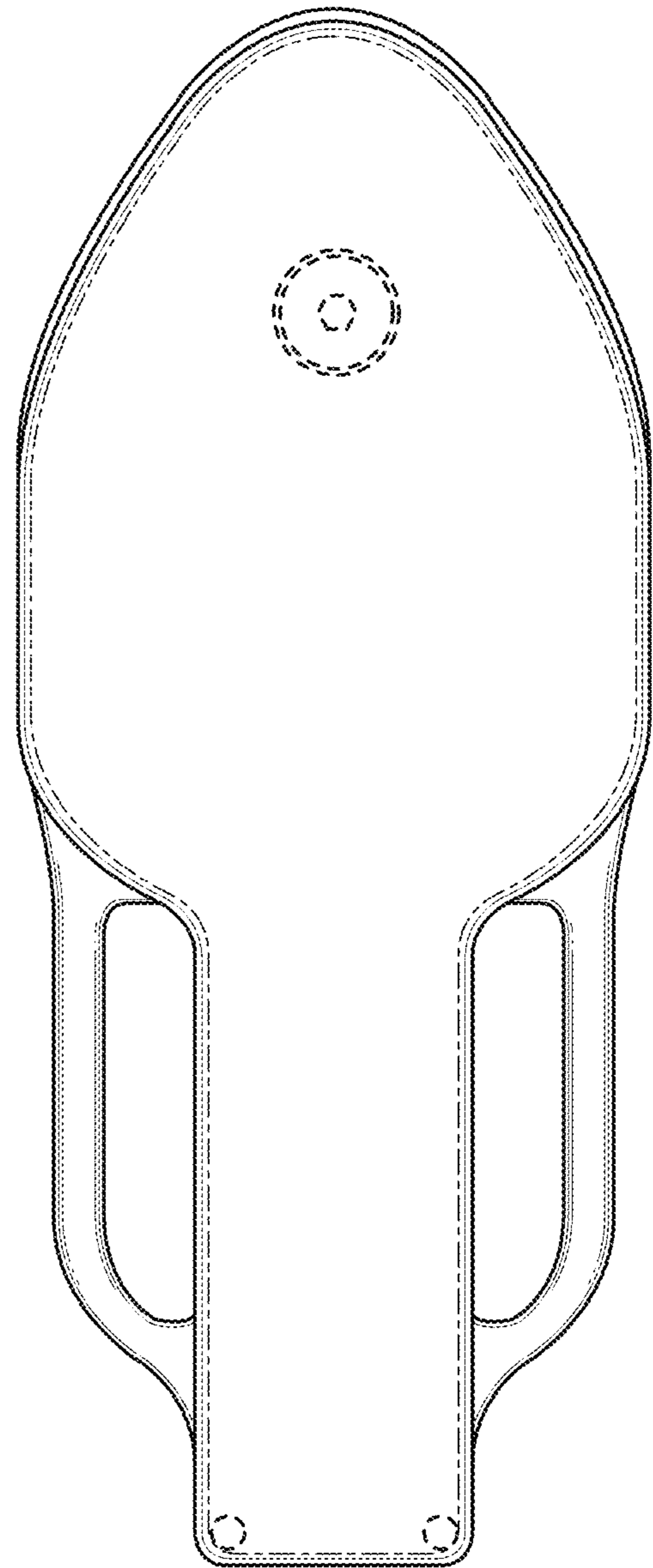


Fig. 4

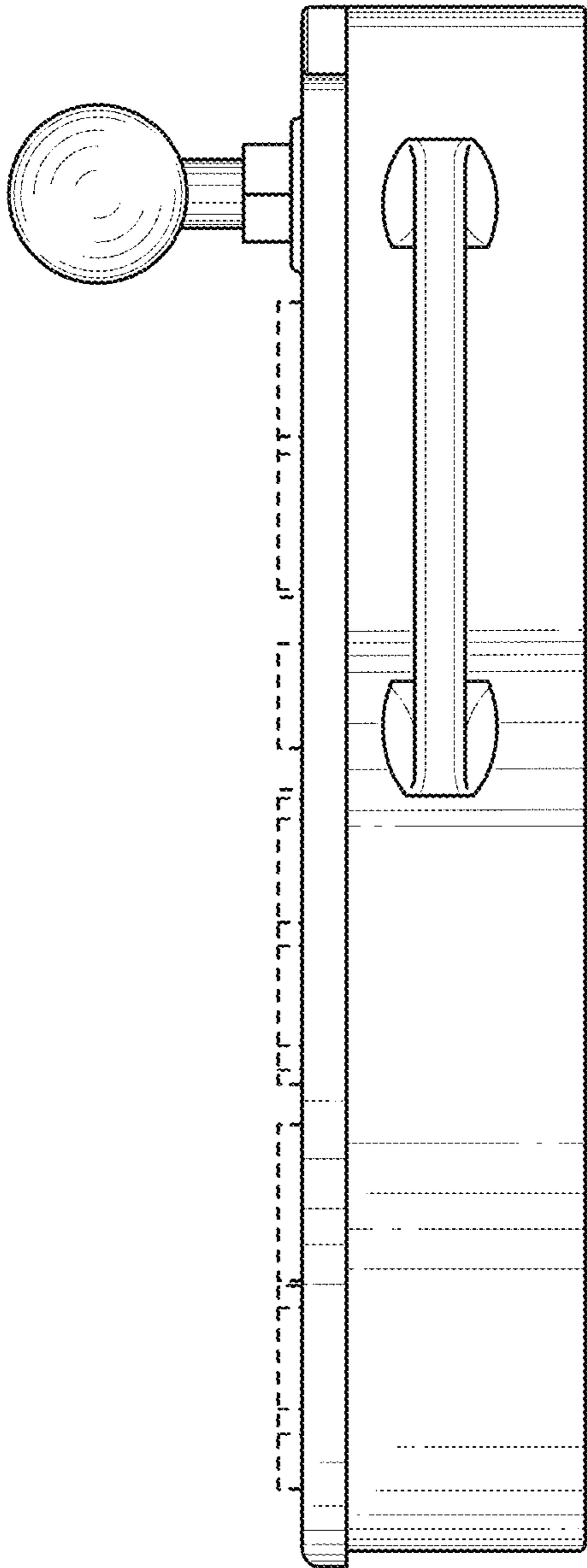


Fig. 5

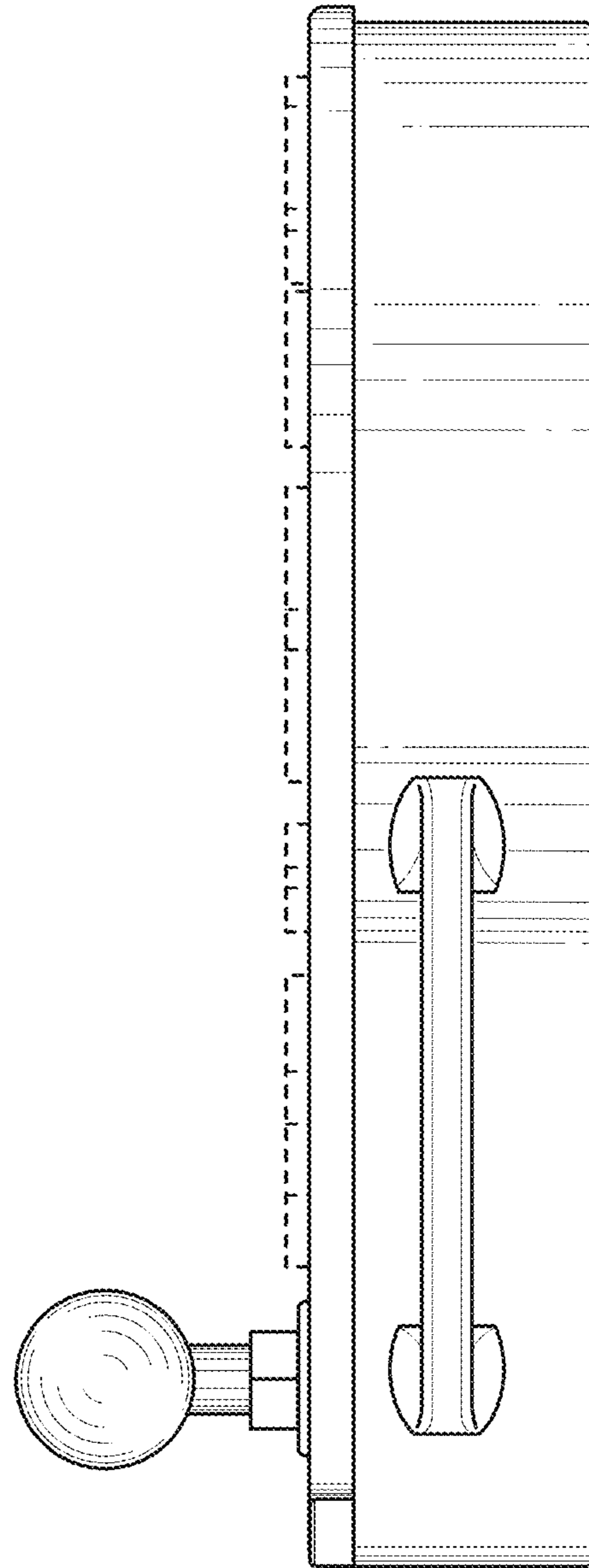


Fig. 6

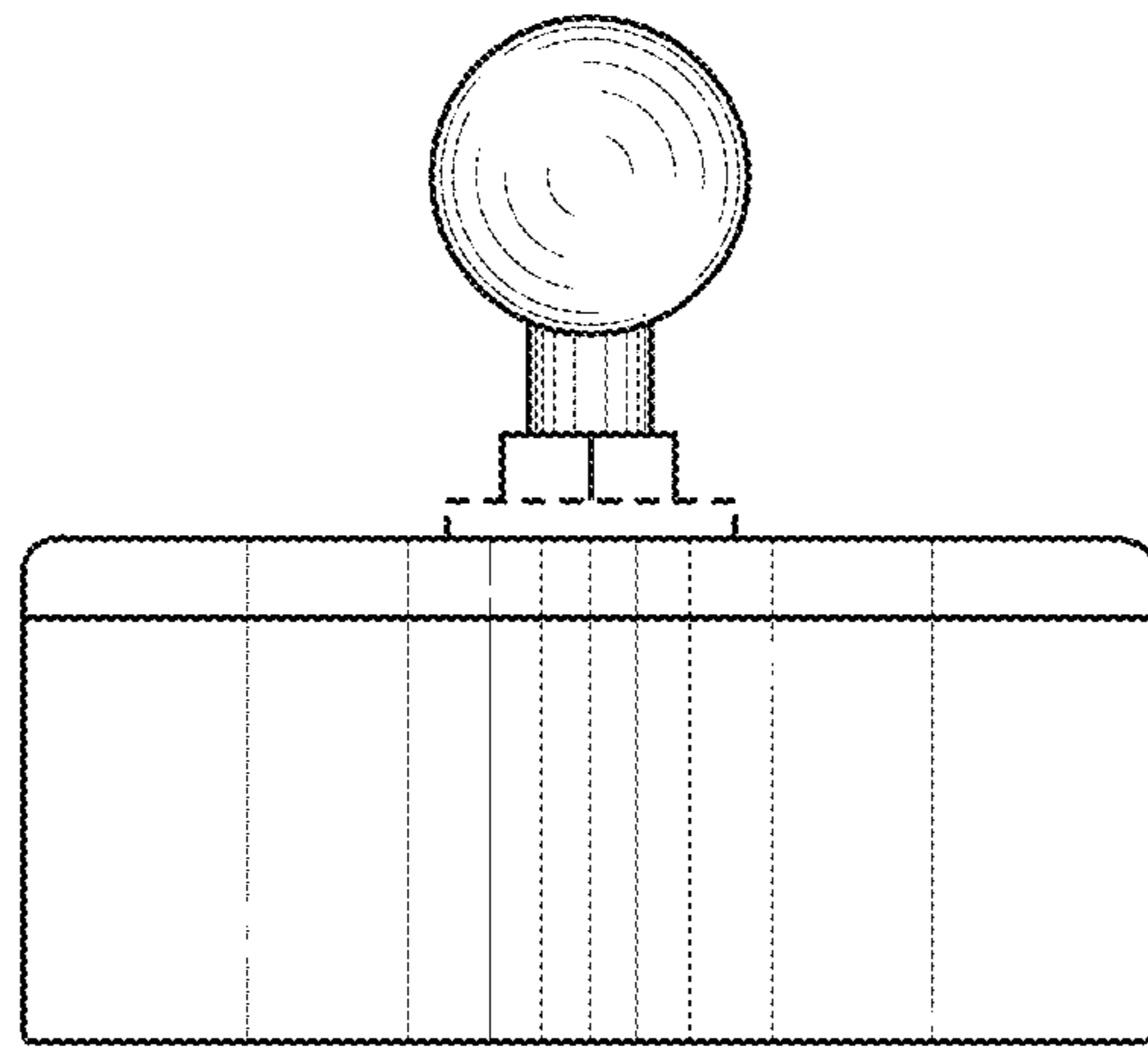


Fig. 7

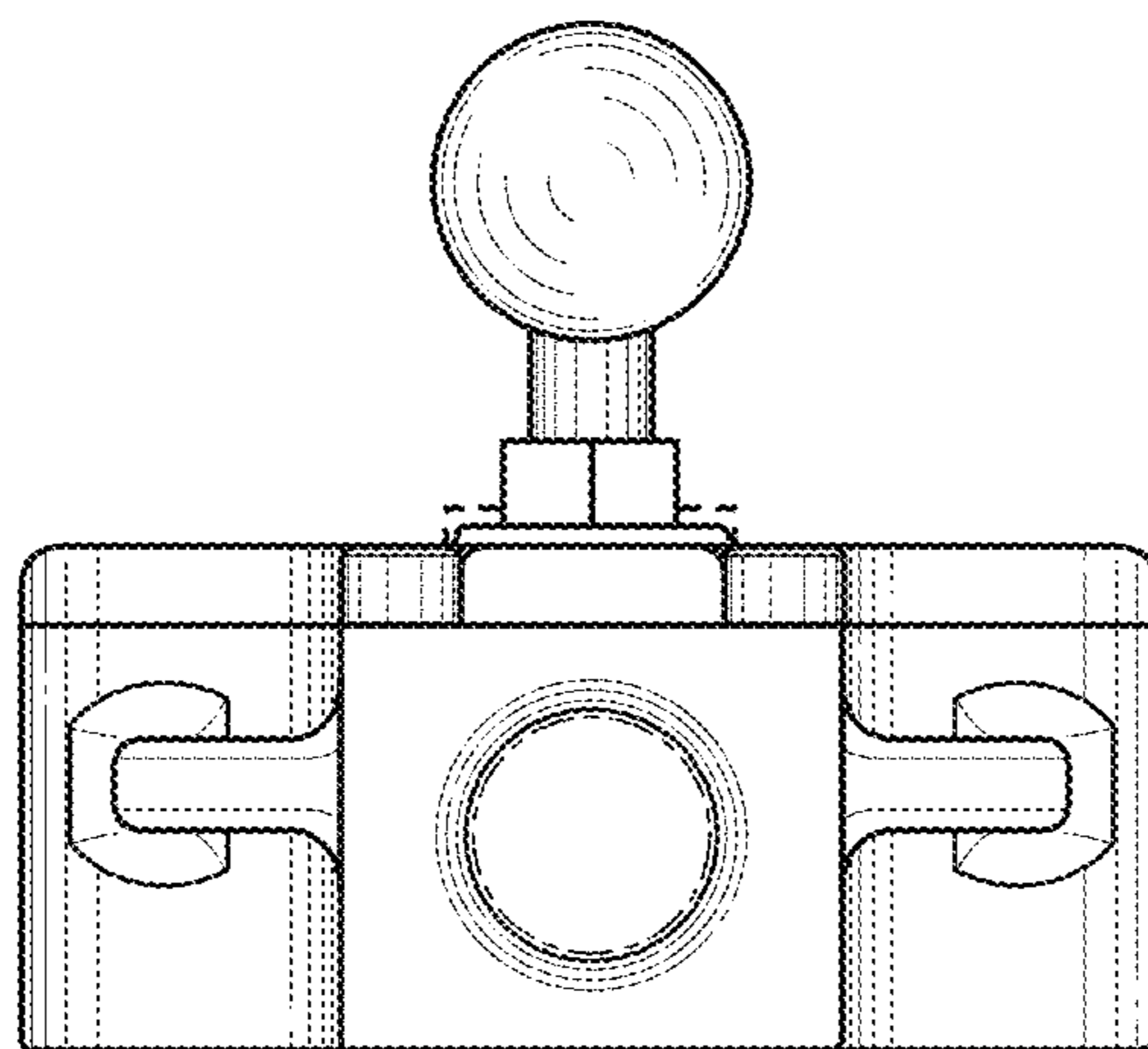


Fig. 8