



US00D922587S

(12) **United States Design Patent**
Jung et al.

(10) **Patent No.:** **US D922,587 S**
(45) **Date of Patent:** **** Jun. 15, 2021**

(54) **ELECTRIC DENTAL CARE APPARATUS**

(71) Applicant: **LG ELECTRONICS INC.**, Seoul (KR)

(72) Inventors: **Dana Jung**, Seoul (KR); **Byungsoo Kim**, Seoul (KR); **Yihyun Moon**, Seoul (KR)

(73) Assignee: **LG ELECTRONICS INC.**, Seoul (KR)

(**) Term: **15 Years**

(21) Appl. No.: **35/509,235**

(22) Filed: **Aug. 2, 2019**

(80) **Hague Agreement Data**

Int. Filing Date: **Aug. 2, 2019**
Int. Reg. No.: **DM/207540**
Int. Reg. Date: **Aug. 2, 2019**
Int. Reg. Pub. Date: **May 1, 2020**

(30) **Foreign Application Priority Data**

Feb. 18, 2019 (KR) 30-2019-0007176

(51) **LOC (13) Cl.** **24-02**

(52) **U.S. Cl.**
USPC **D24/176; D24/180**

(58) **Field of Classification Search**
USPC D6/512, 528, 534; D24/107, 111, 121, D24/127, 152, 176, 177, 180-182
CPC . A46B 13/023; A46B 5/0095; A46B 15/0008; A46B 15/0038; A46D 1/02; A46D 99/00; A61C 17/224
See application file for complete search history.

(56) **References Cited**

U.S. PATENT DOCUMENTS

D182,034 S * 2/1958 Merendino D6/534
D299,095 S * 12/1988 Gresens D6/524

D356,708 S * 3/1995 Shames D6/527
D417,992 S * 12/1999 Roth D6/531
D423,265 S * 4/2000 Azo D6/528
D423,847 S * 5/2000 Roth D6/534
D686,327 S * 7/2013 Marumori D24/181
D795,440 S * 8/2017 Way D24/181
D820,458 S * 6/2018 Way D24/181
D864,399 S * 10/2019 Qin D24/176
D867,598 S * 11/2019 Qin D24/176
D888,961 S * 6/2020 Levine D24/181
D895,808 S * 9/2020 Li D24/176
D899,600 S * 10/2020 Li D24/176

(Continued)

OTHER PUBLICATIONS

Amazon. AuraGlow Teeth Whitening Kit, LED Light, 35% Carbamide Peroxide, (2) 5ml Gel Syringes, Tray and Case. Jun. 3, 2015. <https://amzn.to/3riR9Km> (Year: 2015).*

(Continued)

Primary Examiner — Darcey E Gottschalk
(74) *Attorney, Agent, or Firm* — Birch, Stewart, Kolasch & Birch, LLP

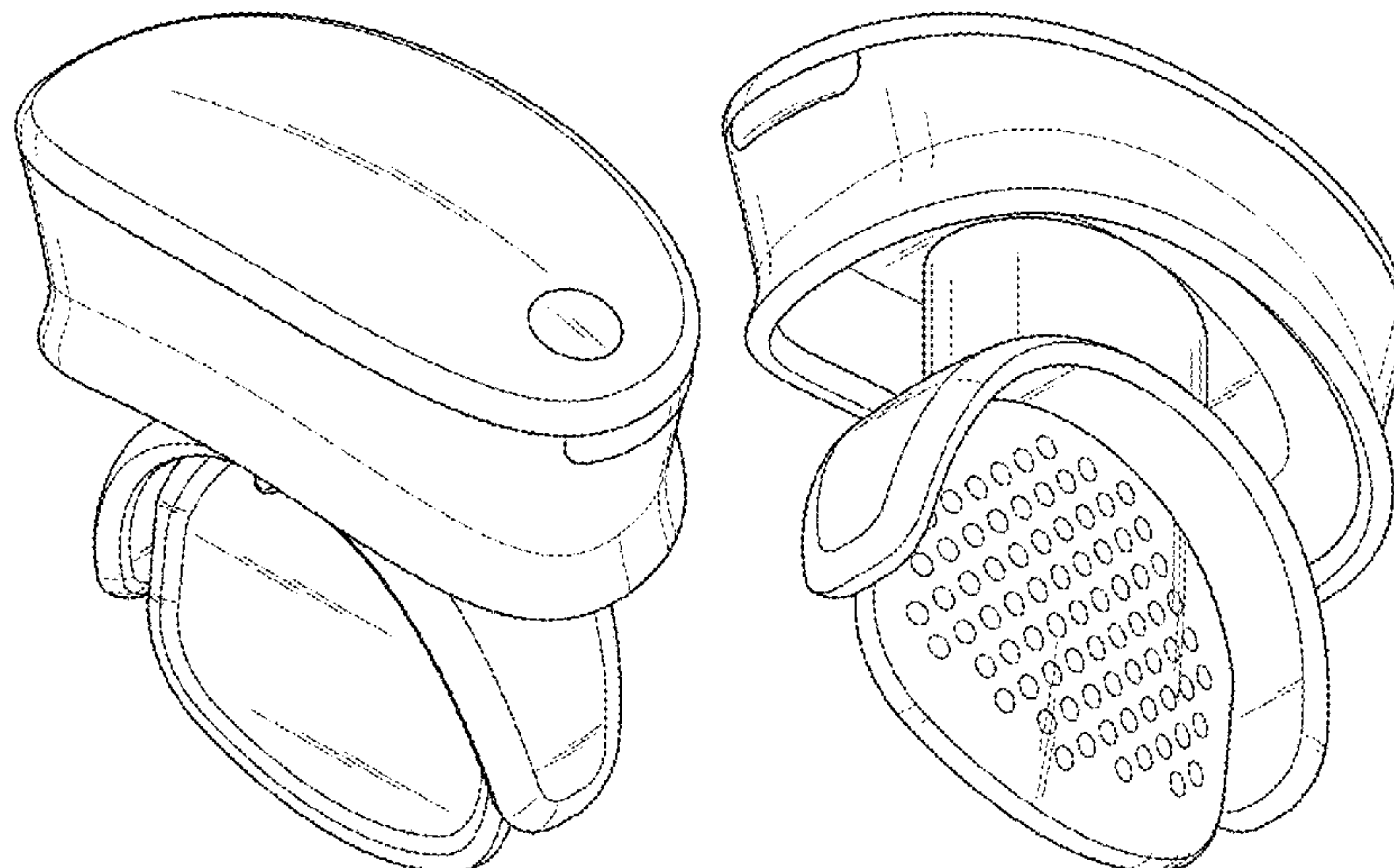
(57) **CLAIM**

The ornamental design for an electric dental care apparatus, as shown and described.

DESCRIPTION

1. Electric dental care apparatus
1.1 : Front perspective view
1.2 : Rear perspective view
1.3 : Front
1.4 : Back
1.5 : Left
1.6 : Right
1.7 : Top
1.8 : Bottom
1.9 : Reference view showing a state of use
Broken lines illustrate environmental condition only and form no part of the claimed design.

1 Claim, 9 Drawing Sheets



(56)

References Cited

U.S. PATENT DOCUMENTS

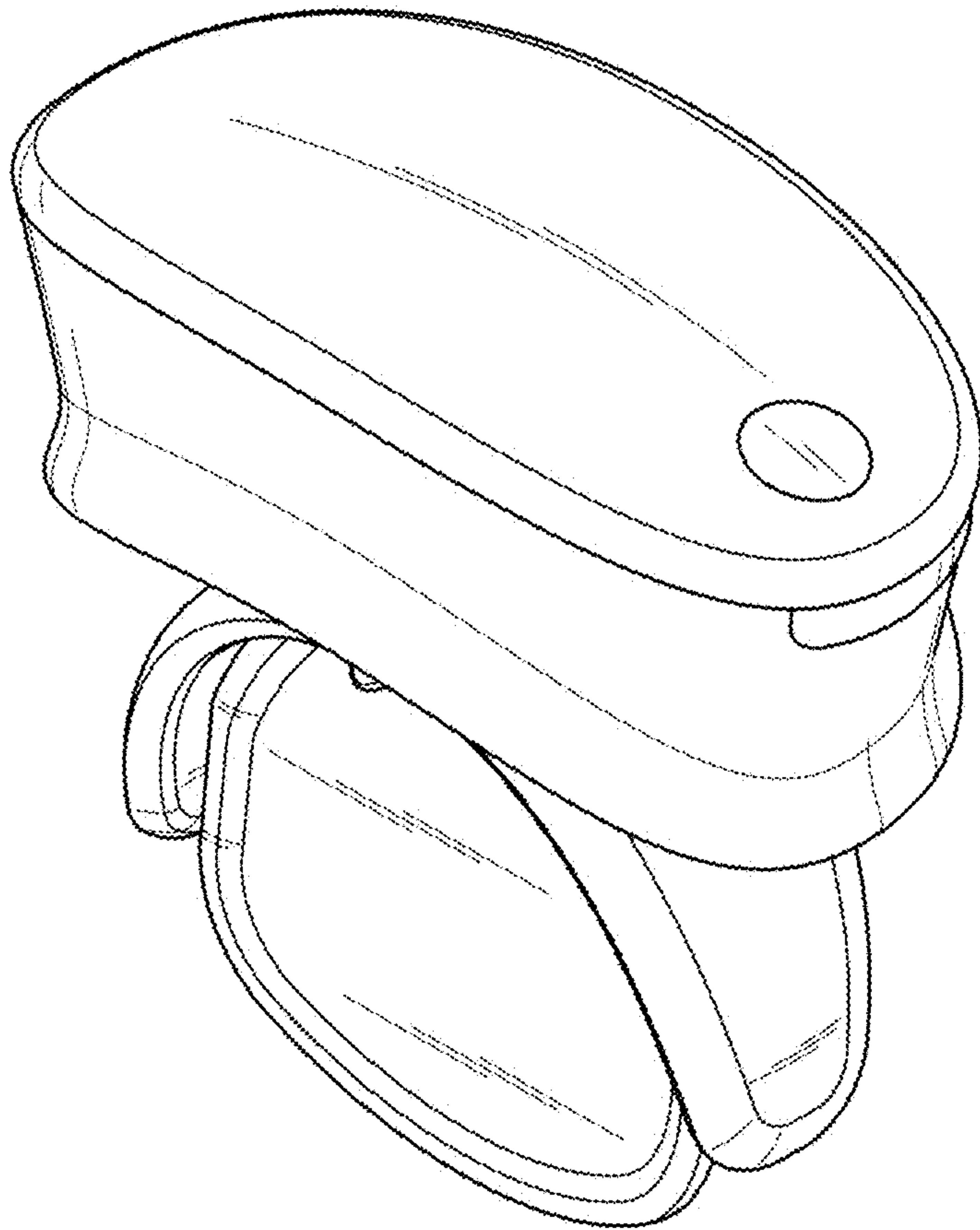
D904,620 S * 12/2020 Farrell D24/181
D908,223 S * 1/2021 Pai D24/176
D912,826 S * 3/2021 Bao D24/181

OTHER PUBLICATIONS

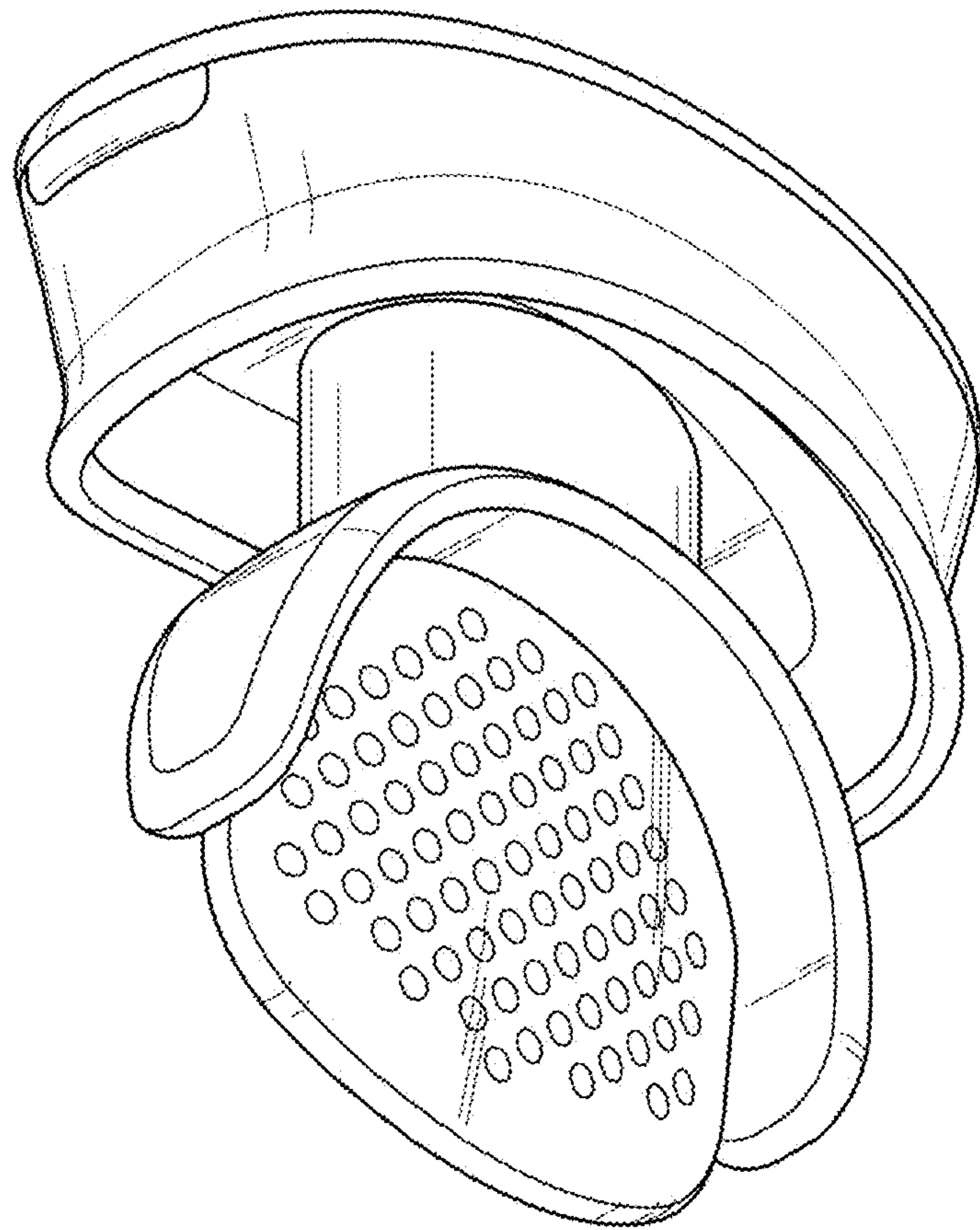
Medium. Review & Hack: DPL Oral Gum Care Light Therapy Led System Kit. May 5, 2018. <https://medium.com/@regit000/review-hack-dpl-oral-gum-care-light-therapy-led-system-kit-51df6ab98f28> (Year: 2018).*

* cited by examiner

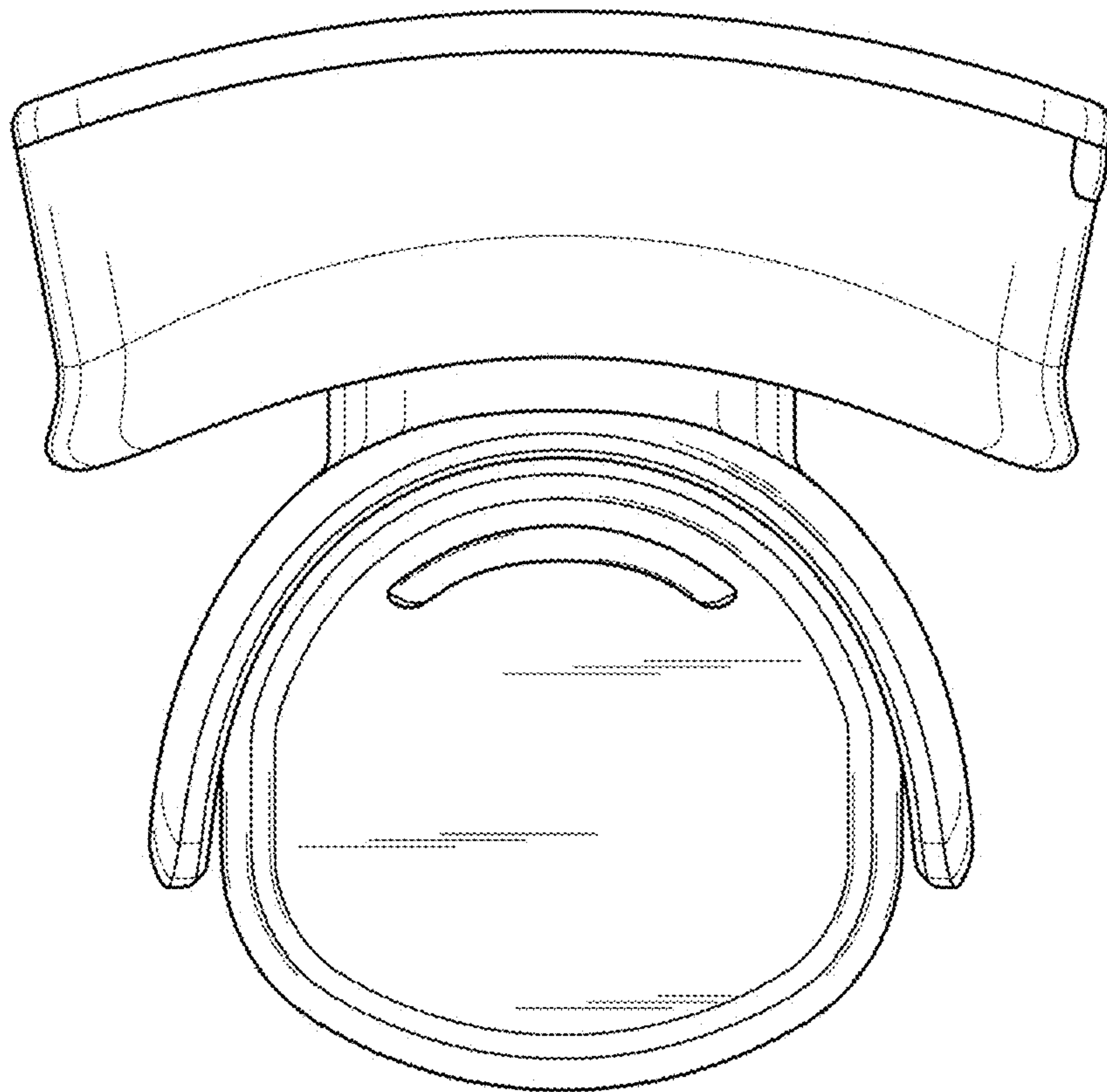
1.1



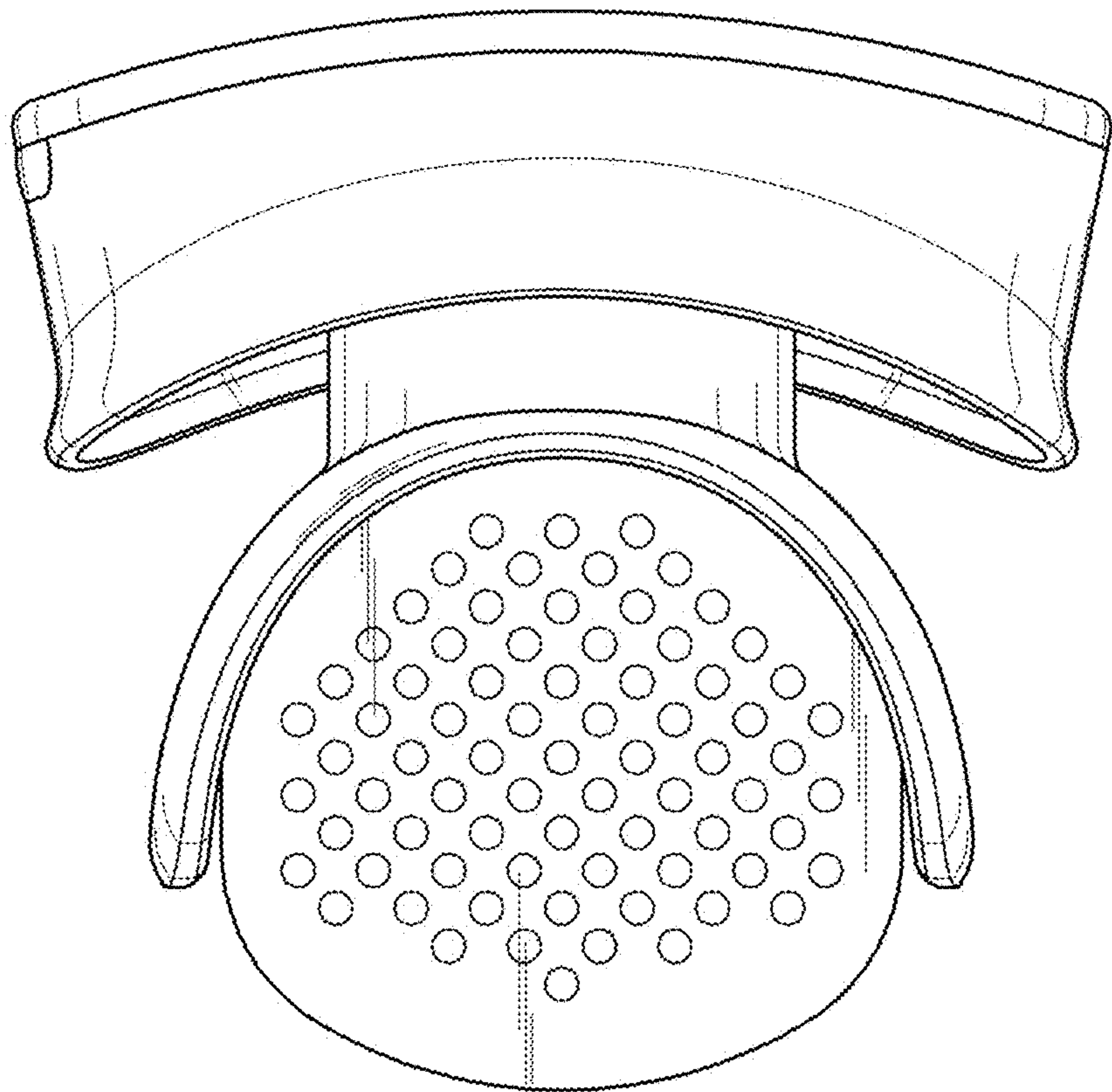
1.2



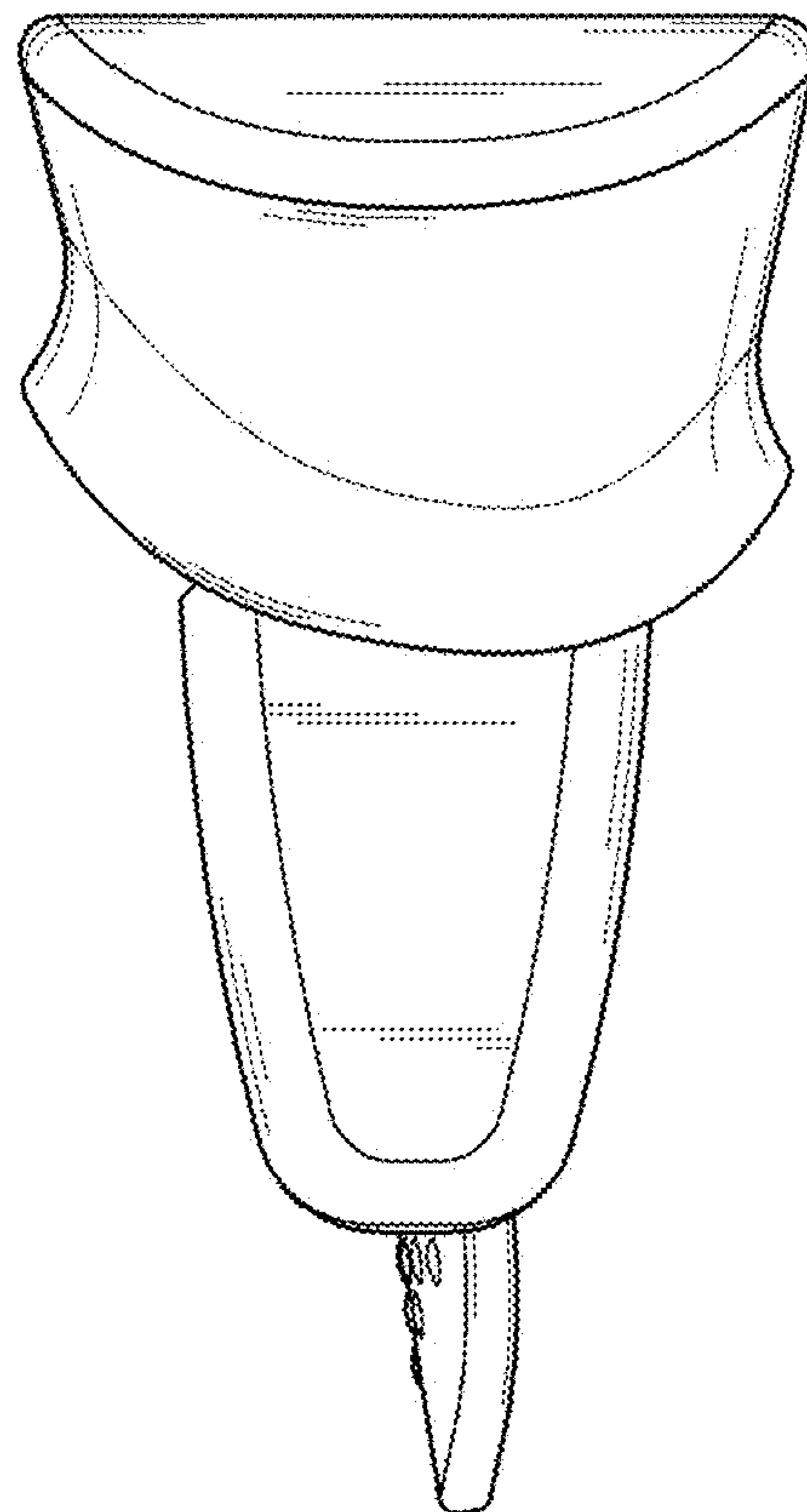
1.3



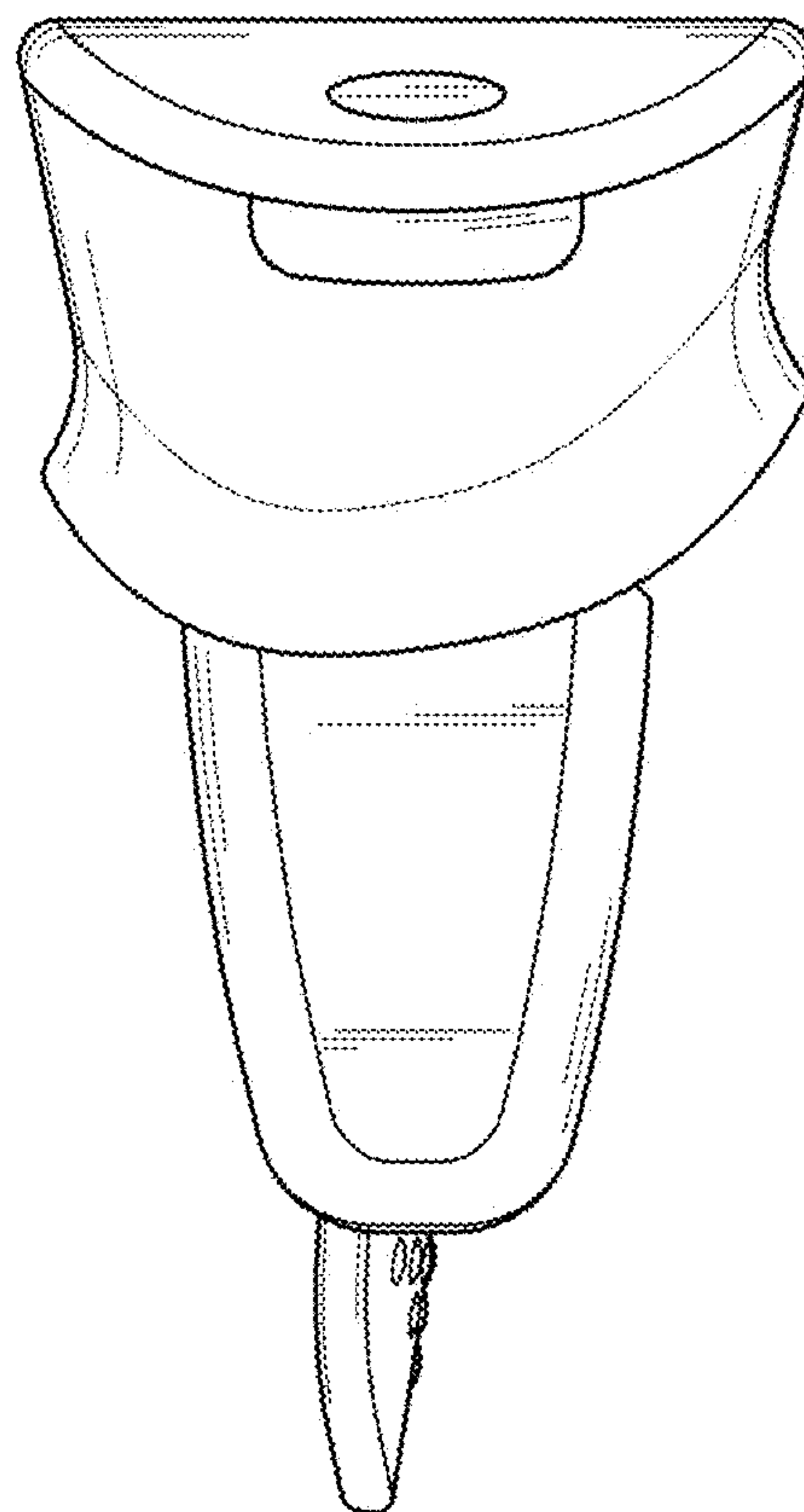
1.4



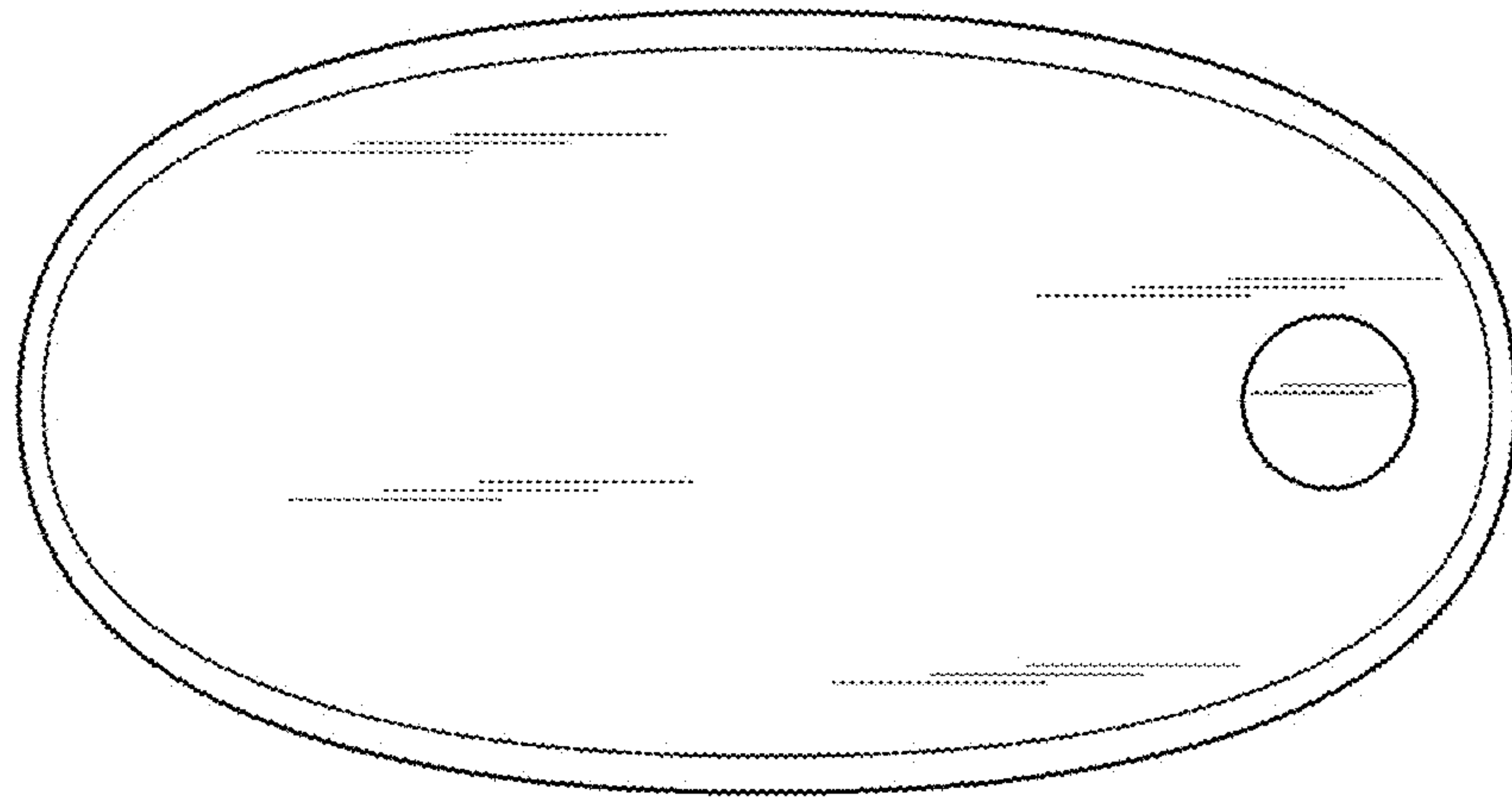
1.5



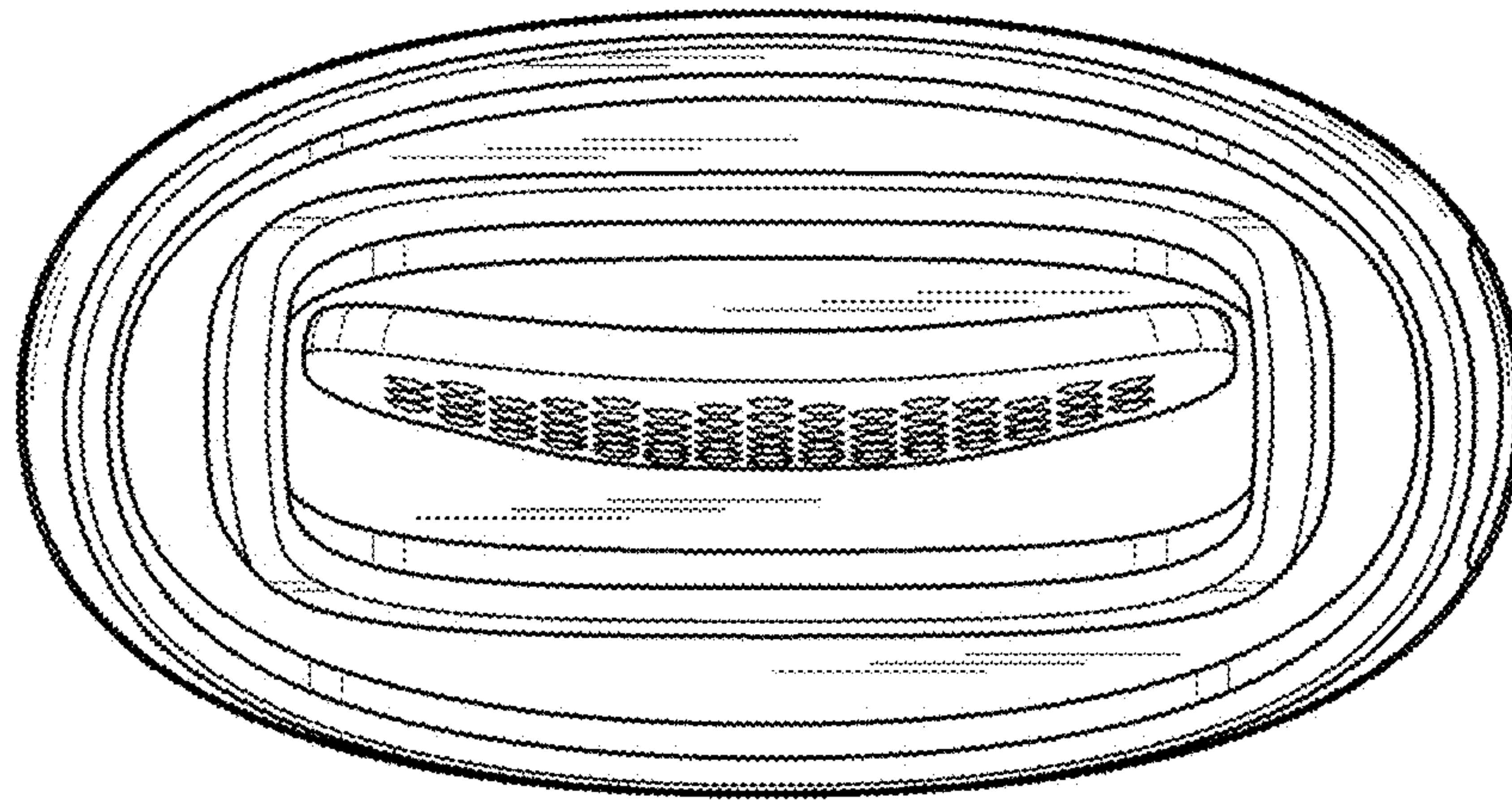
1.6



1.7



1.8



1.9

