



US00D922586S

(12) **United States Design Patent**  
**Zhou**

(10) **Patent No.:** **US D922,586 S**  
(45) **Date of Patent:** **\*\* Jun. 15, 2021**

(54) **TEETH WHITENING EQUIPMENT**

2012/0258418 A1\* 10/2012 Shen ..... A61C 19/066  
433/29

(71) Applicant: **ELFROVE INC**, Boulder, CO (US)

\* cited by examiner

(72) Inventor: **Zhongfeng Zhou**, Boulder, CO (US)

*Primary Examiner* — Wan Laymon

(\*\*) Term: **15 Years**

(57) **CLAIM**

The ornamental design for a teeth whitening equipment, as shown and described.

(21) Appl. No.: **29/774,110**

(22) Filed: **Mar. 15, 2021**

**DESCRIPTION**

(51) **LOC (13) Cl.** ..... **24-02**

(52) **U.S. Cl.**  
USPC ..... **D24/176**

(58) **Field of Classification Search**  
USPC ..... D24/176–178, 107, 152  
CPC ..... A61C 19/066; A61C 19/063; A61C 17/20;  
A61N 5/0603; A61N 2005/0606  
See application file for complete search history.

FIG. 1 is a right rear top perspective view of a teeth whitening equipment, showing my new design;  
FIG. 2 is a left front bottom perspective view thereof;  
FIG. 3 is a front elevation view thereof;  
FIG. 4 is a rear elevation view thereof;  
FIG. 5 is a left side elevation view thereof;  
FIG. 6 is a right side elevation view thereof;  
FIG. 7 is a top plan view thereof;  
FIG. 8 is a bottom plan view thereof;  
FIG. 9 is an enlarged view of a portion labelled, “FIG. 9” in FIG. 2; and,  
FIG. 10 is another perspective view of the teeth whitening equipment, shown in an alternative position.

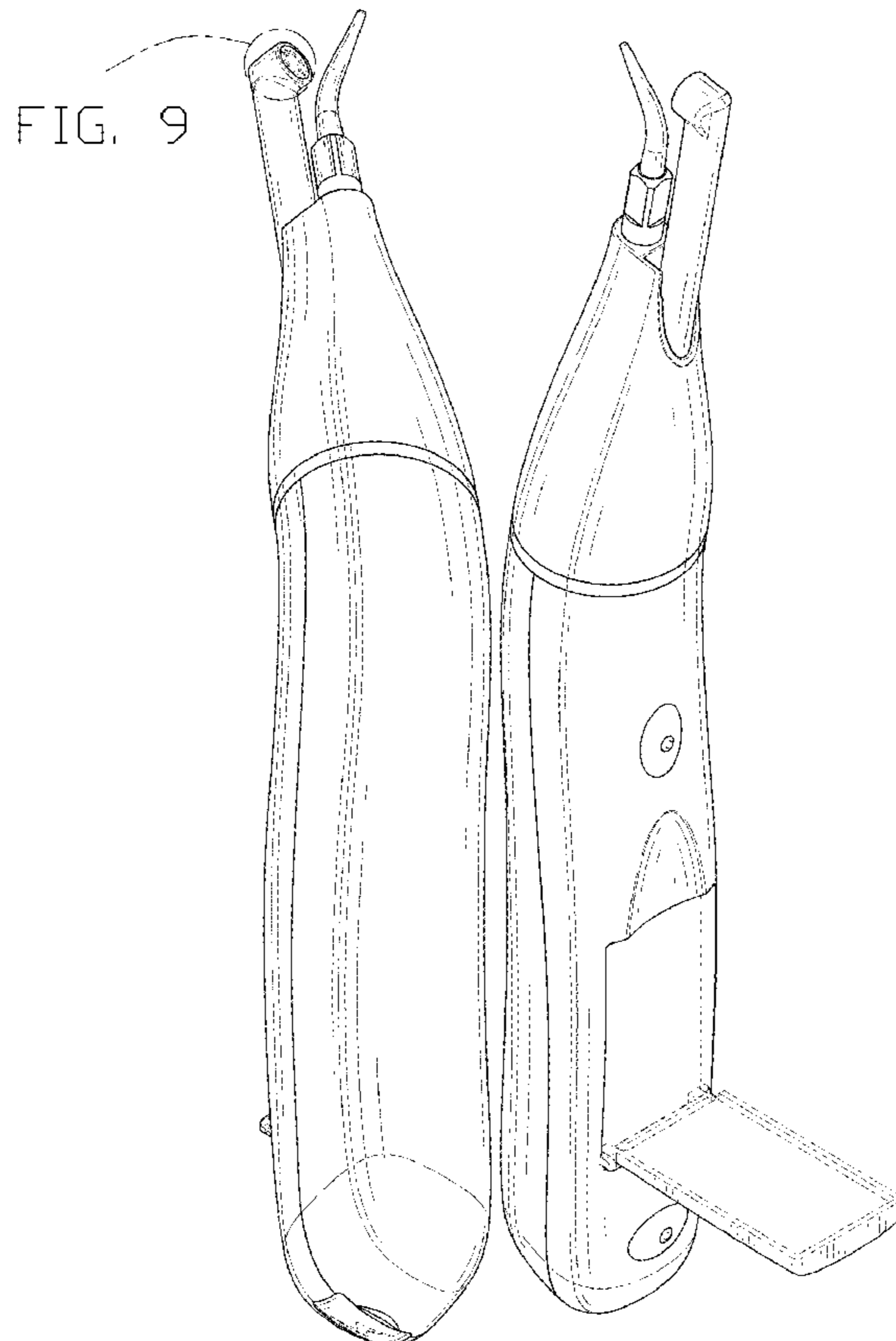
(56) **References Cited**

**U.S. PATENT DOCUMENTS**

|                   |         |            |       |                       |
|-------------------|---------|------------|-------|-----------------------|
| D340,521 S *      | 10/1993 | Heinzelman | ..... | D24/176               |
| D438,622 S *      | 3/2001  | Chang      | ..... | D24/176               |
| 9,320,580 B2 *    | 4/2016  | Montgomery | ..... | A61N 5/0603           |
| D827,834 S *      | 9/2018  | Zhou       | ..... | D24/176               |
| 10,292,799 B2 *   | 5/2019  | Sergi      | ..... | A61C 19/066           |
| D864,399 S        | 10/2019 | Qin et al. |       |                       |
| 2007/0105063 A1 * | 5/2007  | Pinyayev   | ..... | A61N 5/0603<br>433/29 |

The broken lines in the figures illustrate portions of the teeth whitening equipment that form no part of the claimed design. The dash dot dash lines in FIGS. 2 and 9 are for the purpose of depicting the cut line of the enlarged view and form no part of the claim.

**1 Claim, 10 Drawing Sheets**



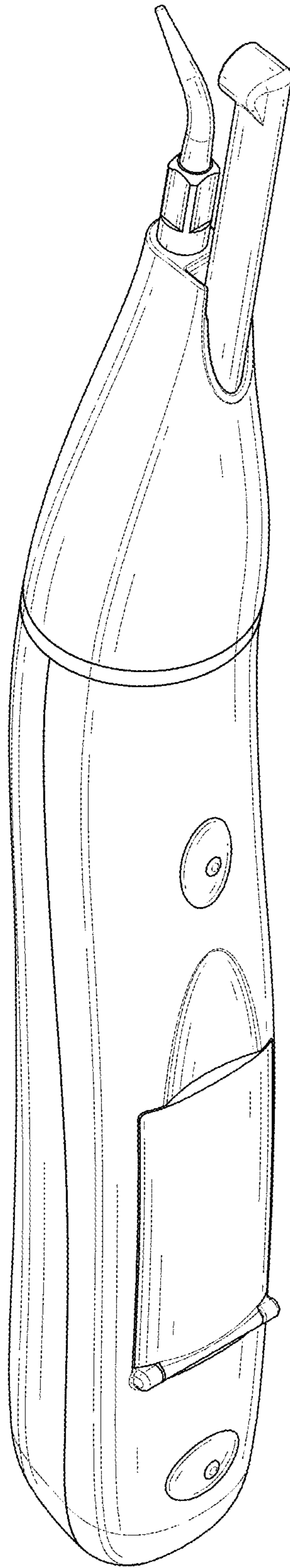


FIG. 1

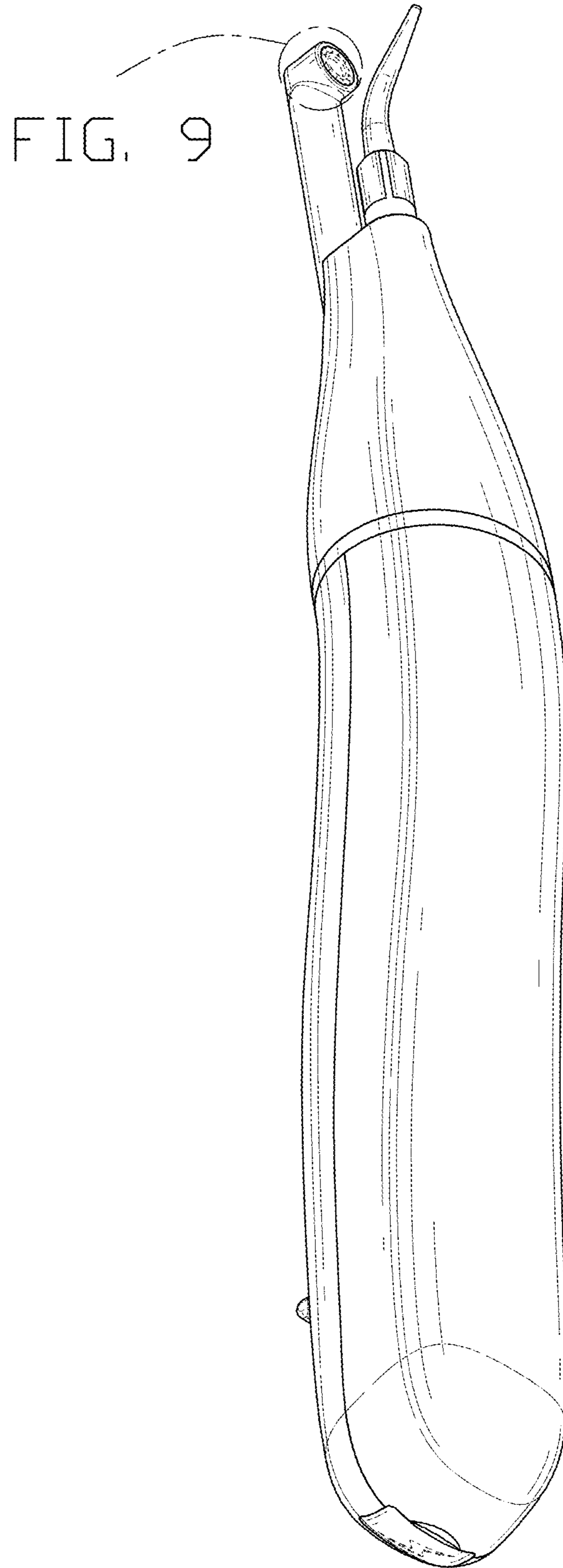


FIG. 9

FIG. 2

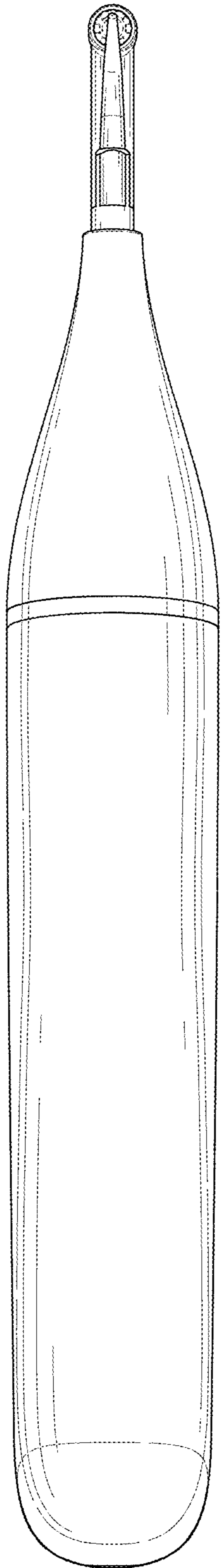


FIG. 3

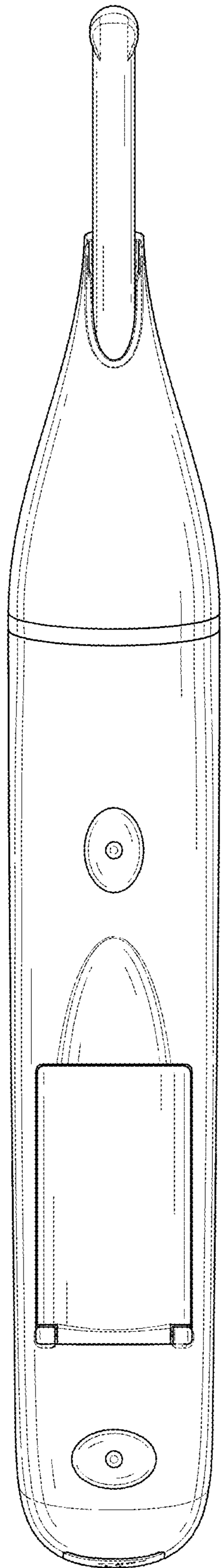


FIG. 4

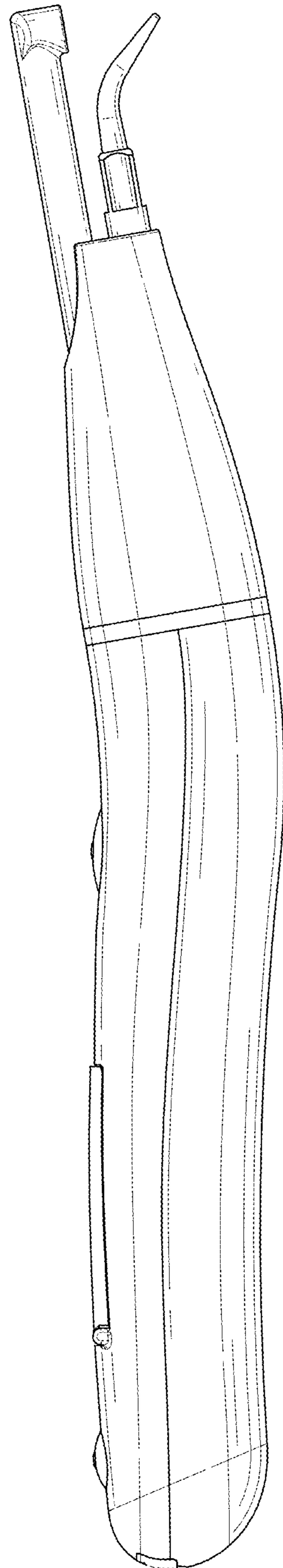


FIG. 5

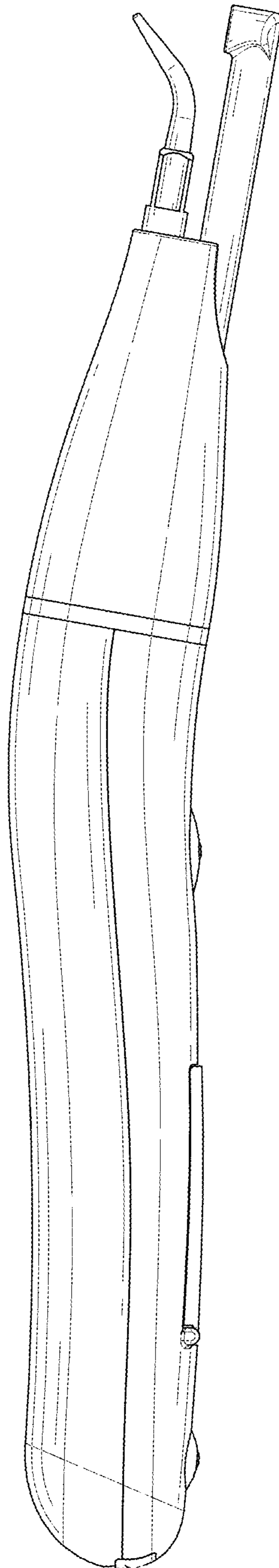


FIG. 6

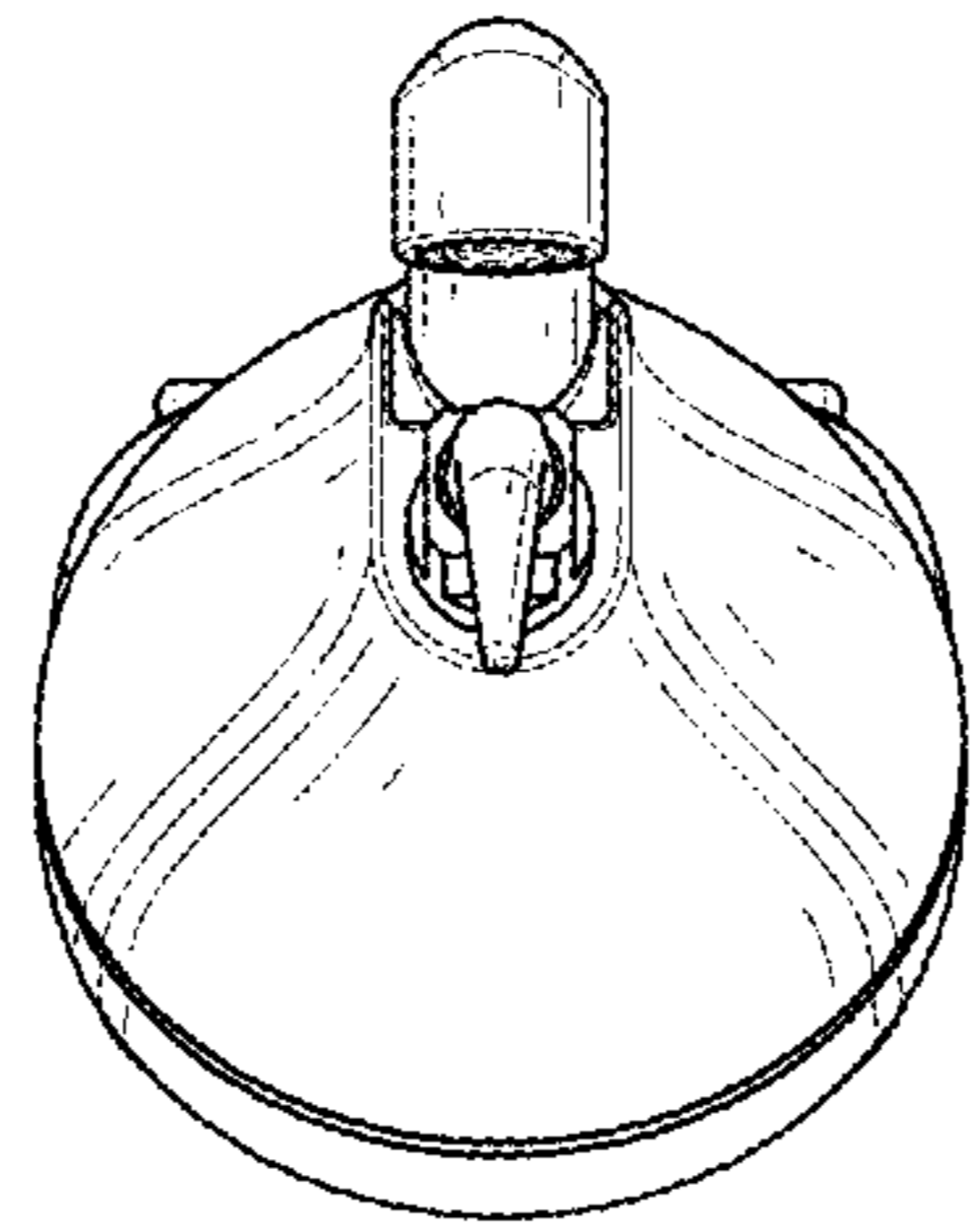


FIG. 7



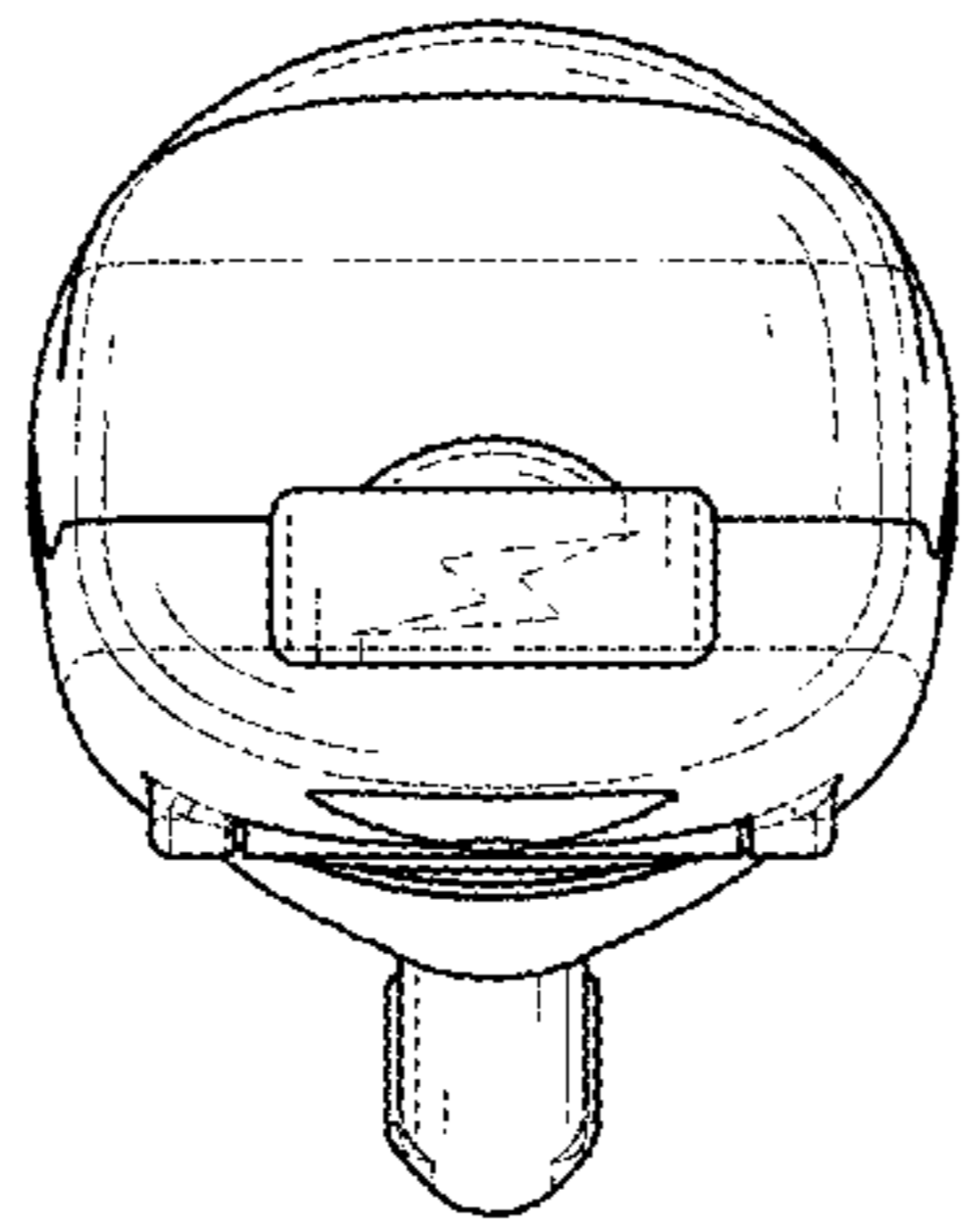


FIG. 8

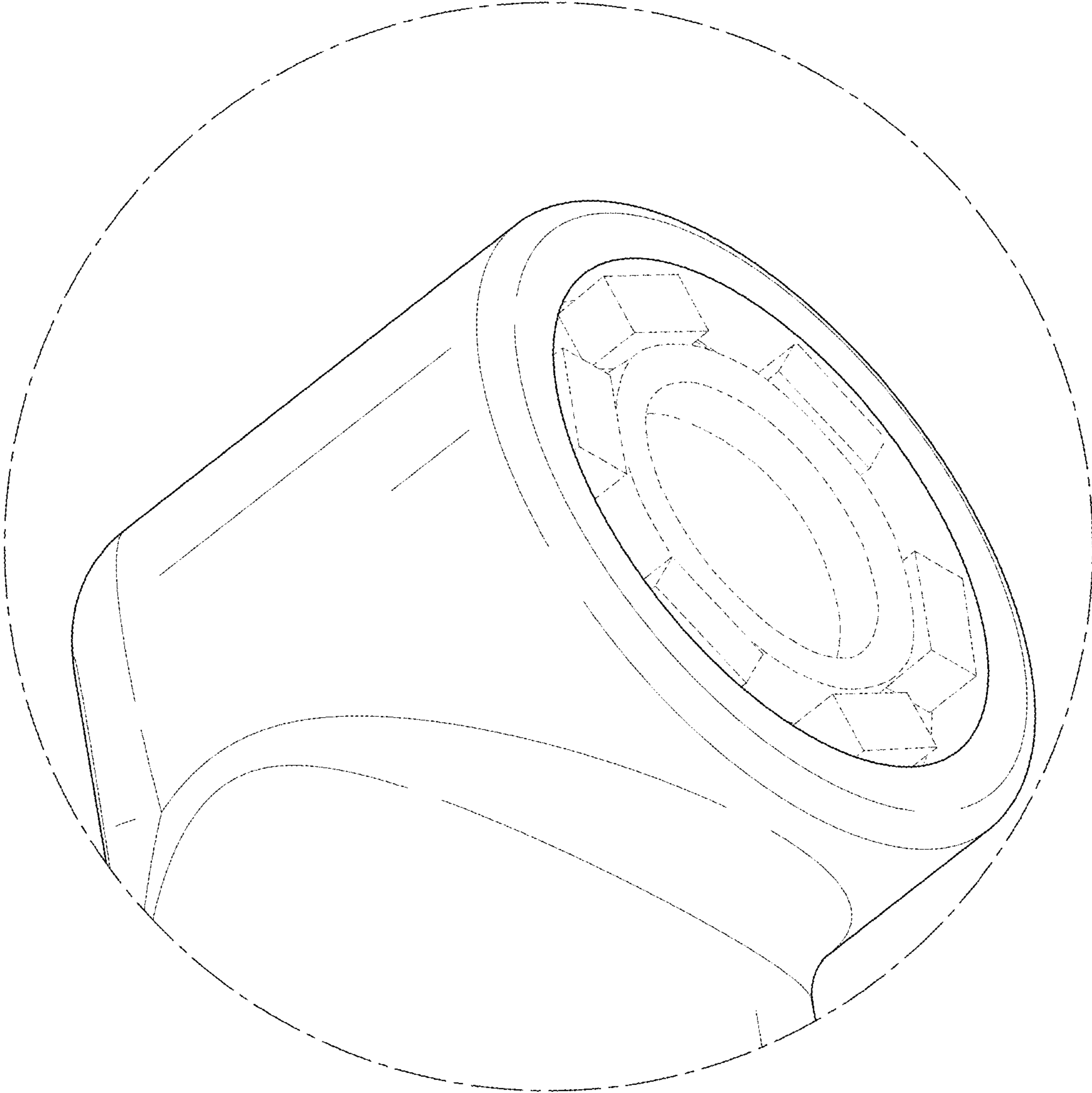


FIG. 9

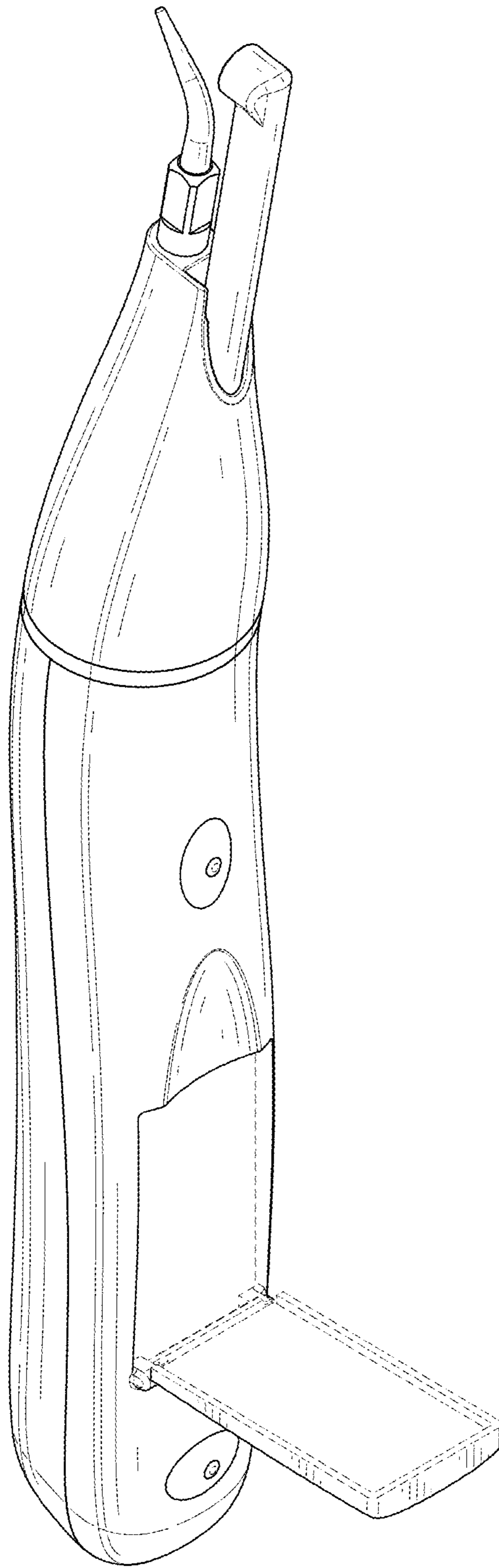


FIG. 10