



US00D922585S

(12) **United States Design Patent**  
**Felder**

(10) **Patent No.:** **US D922,585 S**  
(45) **Date of Patent:** **\*\* Jun. 15, 2021**

(54) **DENTAL DISPENSER PLATFORM**

(71) Applicant: **John Felder**, Oakland, CA (US)

(72) Inventor: **John Felder**, Oakland, CA (US)

(\*\*) Term: **15 Years**

(21) Appl. No.: **29/719,713**

(22) Filed: **Jan. 7, 2020**

(51) **LOC (13) Cl.** ..... **24-02**

(52) **U.S. Cl.**  
USPC ..... **D24/176**

(58) **Field of Classification Search**

USPC ..... D24/176-178, 229  
CPC ..... A61G 15/10; A61G 15/14; A61G 15/16;  
A61C 15/043; A61C 1/14; A61C  
17/0205; A61C 19/00; G09B 19/0084;  
G09B 23/283

See application file for complete search history.

(56) **References Cited**

**U.S. PATENT DOCUMENTS**

- 3,036,804 A \* 5/1962 Staunt ..... A61C 1/0007  
D24/177
- 4,078,311 A \* 3/1978 Hoisington ..... A61C 19/00  
434/263
- 5,160,077 A \* 11/1992 Sticklin ..... A61C 15/043  
225/38
- 5,680,933 A \* 10/1997 Miller ..... A61C 15/043  
132/309
- 7,232,309 B2 \* 6/2007 Tse ..... A61C 19/00  
433/49

- 9,629,506 B1 \* 4/2017 Schwarz ..... A61C 15/043
- D850,624 S \* 6/2019 Huwais ..... D24/176

\* cited by examiner

*Primary Examiner* — Wan Laymon

(57) **CLAIM**

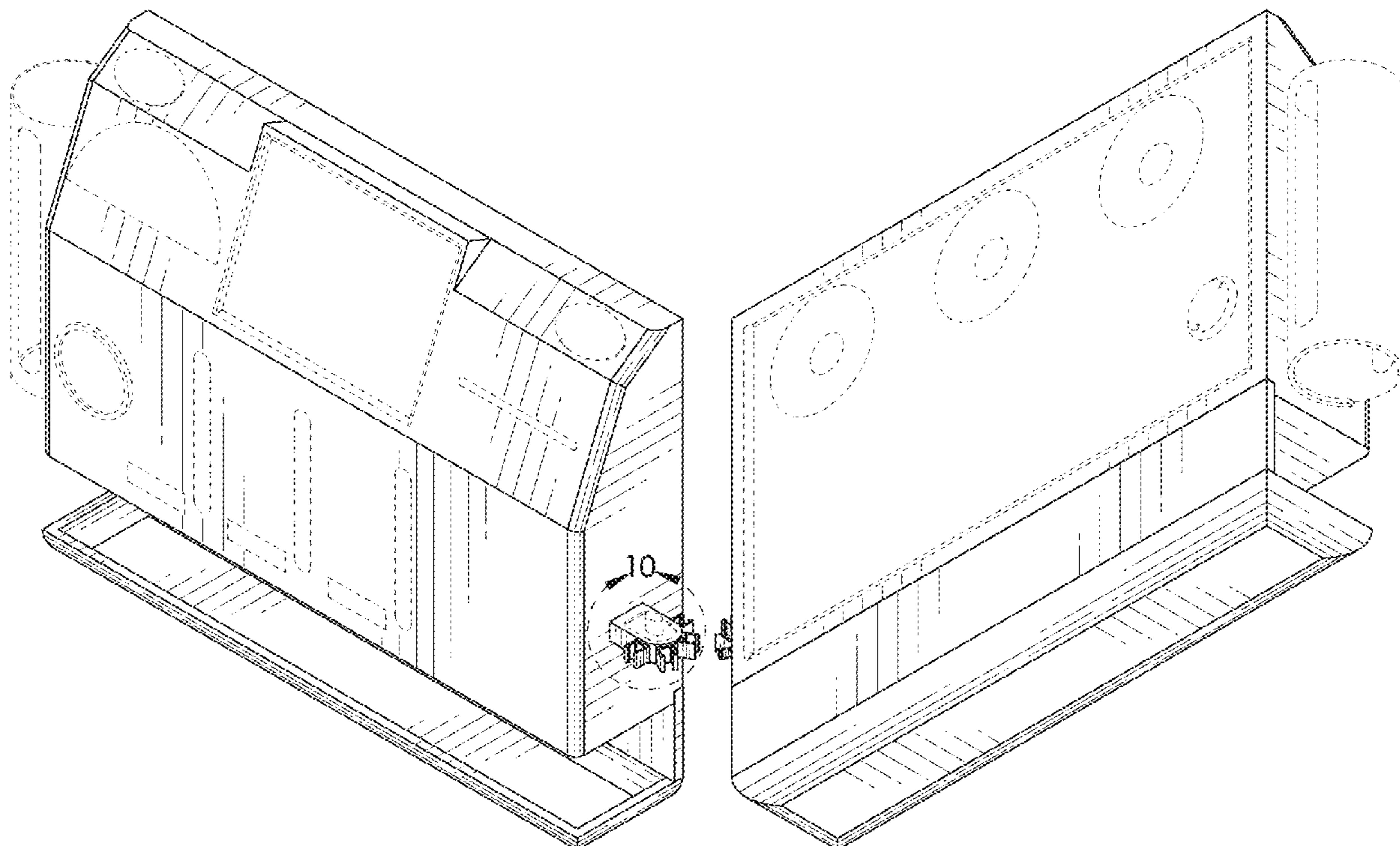
The ornamental design for a dental dispenser platform, as shown and described.

**DESCRIPTION**

FIG. 1 is a top-front-left perspective view of a dental dispenser platform showing my new design;  
 FIG. 2 is a bottom-rear-right perspective view thereof;  
 FIG. 3 is a bottom-front perspective view thereof;  
 FIG. 4 is a left-side elevational view thereof;  
 FIG. 5 is a right-side elevational view thereof;  
 FIG. 6 is a front elevational view thereof;  
 FIG. 7 is a rear elevational view thereof;  
 FIG. 8 is a top plan view thereof;  
 FIG. 9 is a bottom plan view thereof;  
 FIG. 10 is a detail view of area 10 in FIG. 1; and,  
 FIG. 11 is a detail view of area 11 in FIG. 4.

The dashed line showing a user interface system in FIGS. 1, 3, 4, 5, 6, 8, and 9; an access panel with suction cups in FIGS. 2, 4, 5, 7, 8, and 9; a cup dispenser in FIGS. 1, 2, 3, 5, 6, 7, 8, and 9; a mounting post in FIGS. 1, 4, 7, 8, 10, and 11; and a mounting indentation in FIGS. 1, 8, and 10 is included for the purpose of illustrating environmental structure and forms no part of the claimed design.

**1 Claim, 11 Drawing Sheets**



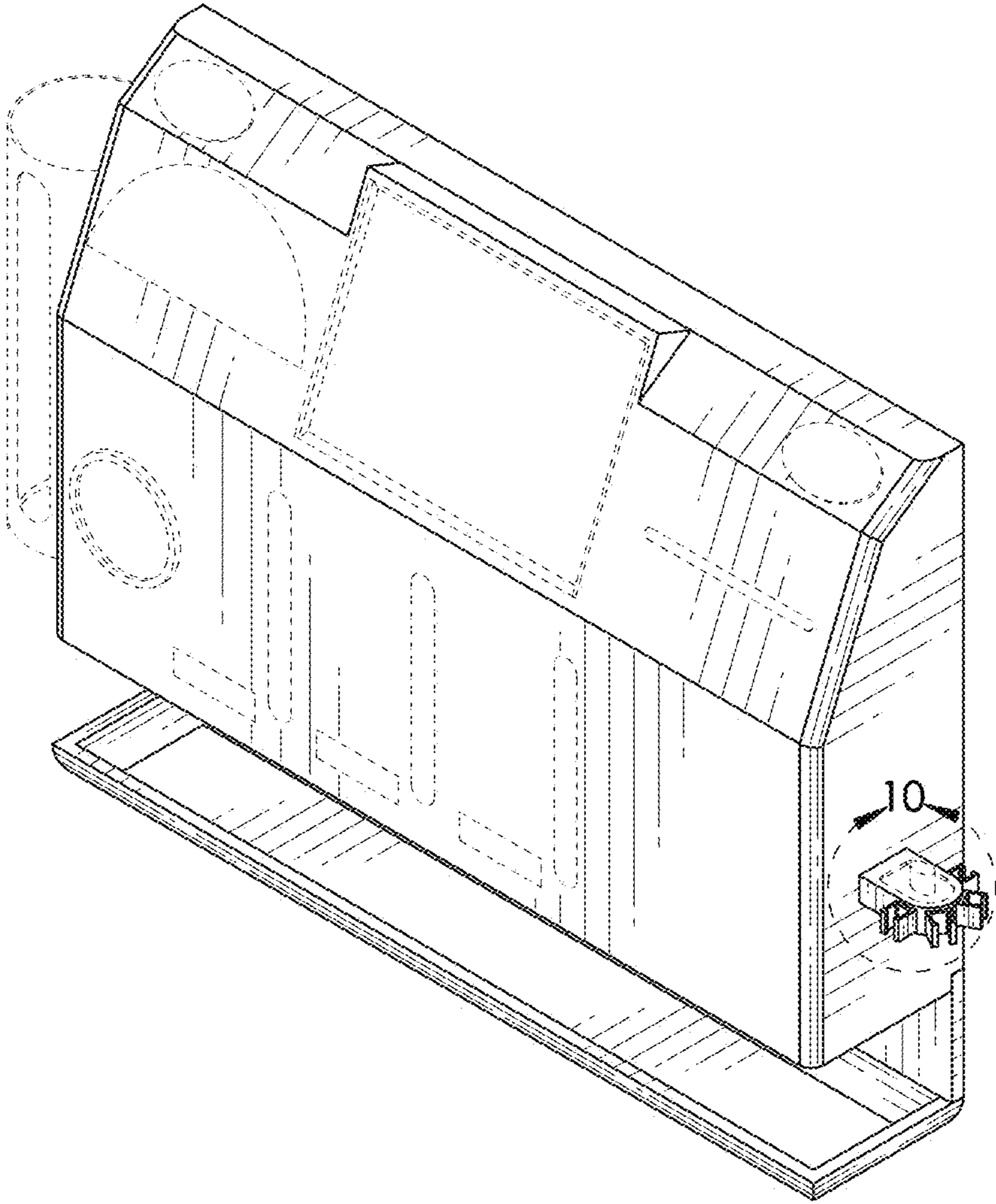


FIG. 1

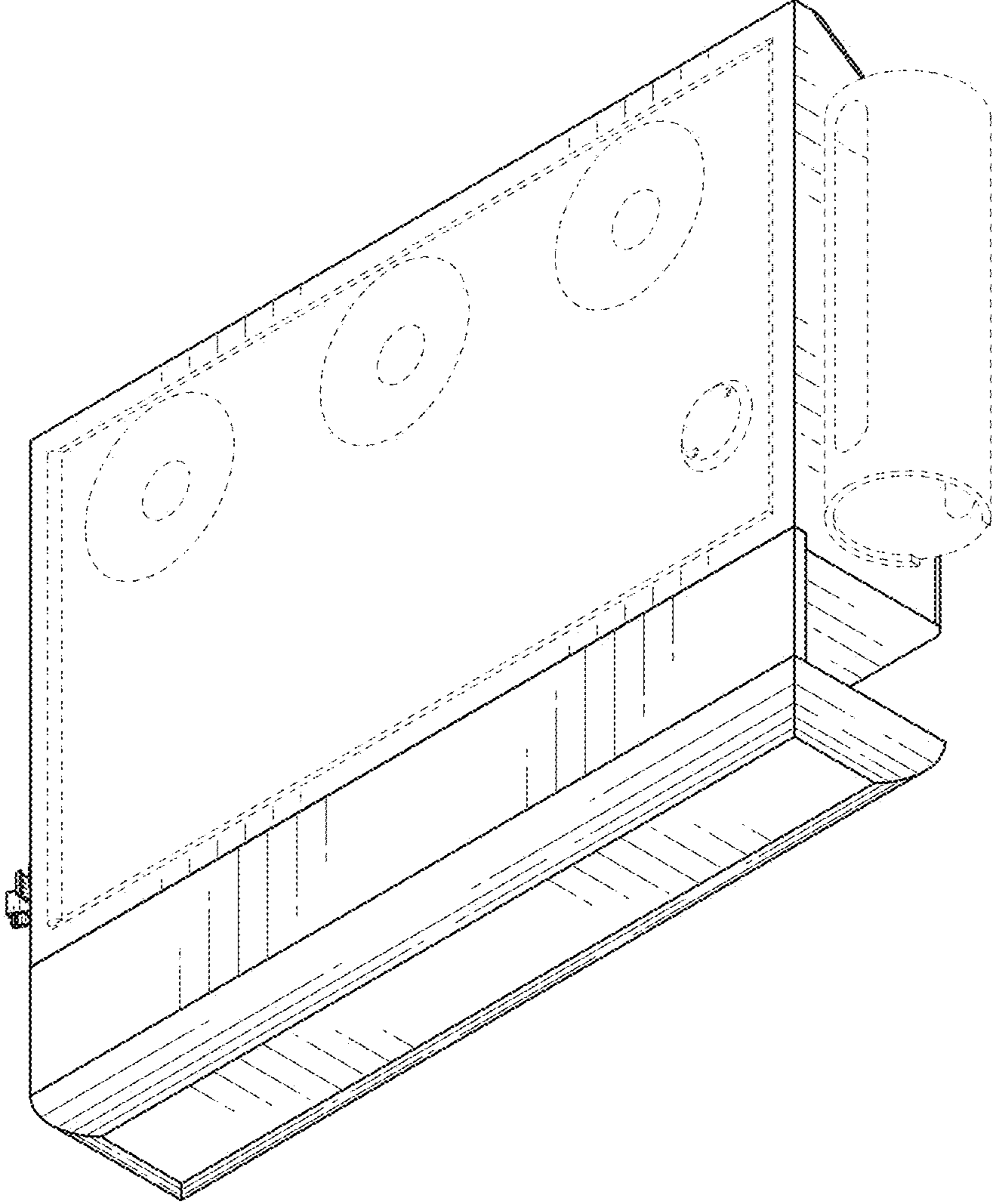


FIG. 2

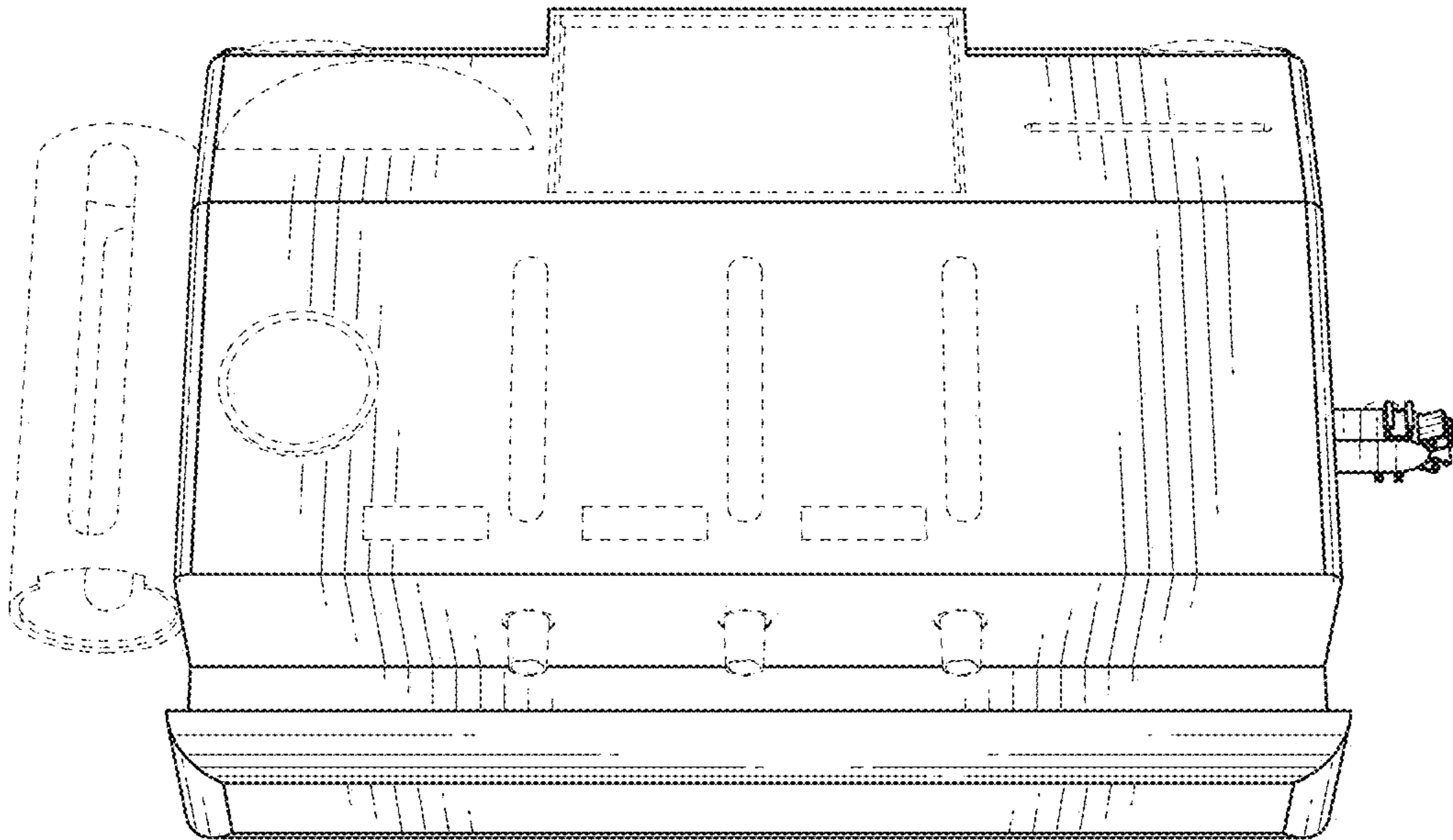


FIG. 3

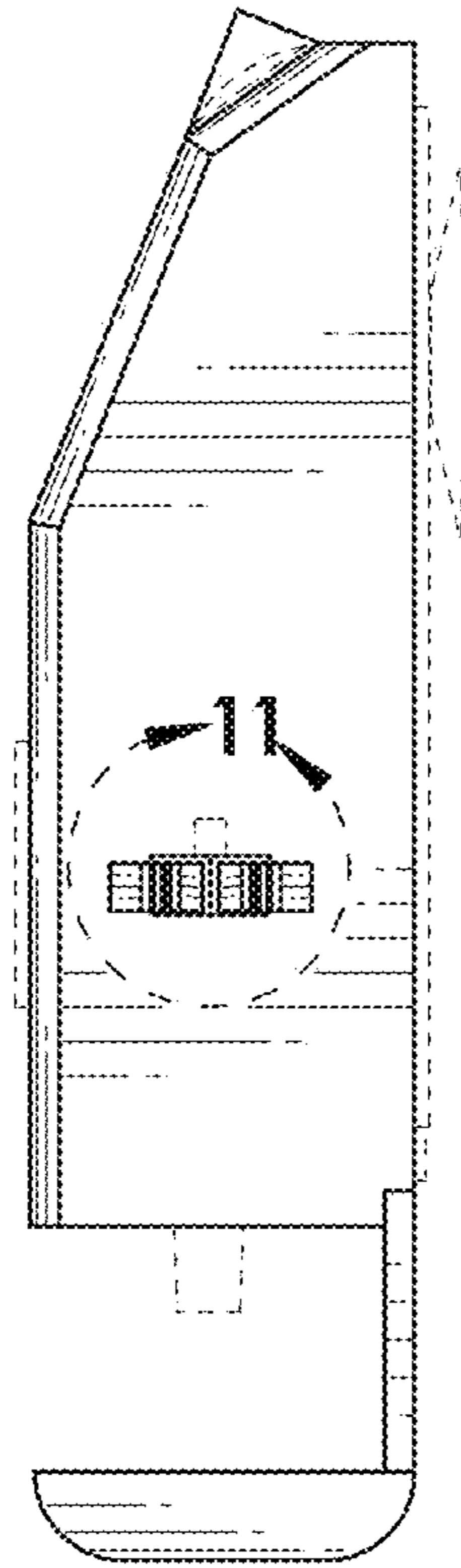


FIG. 4

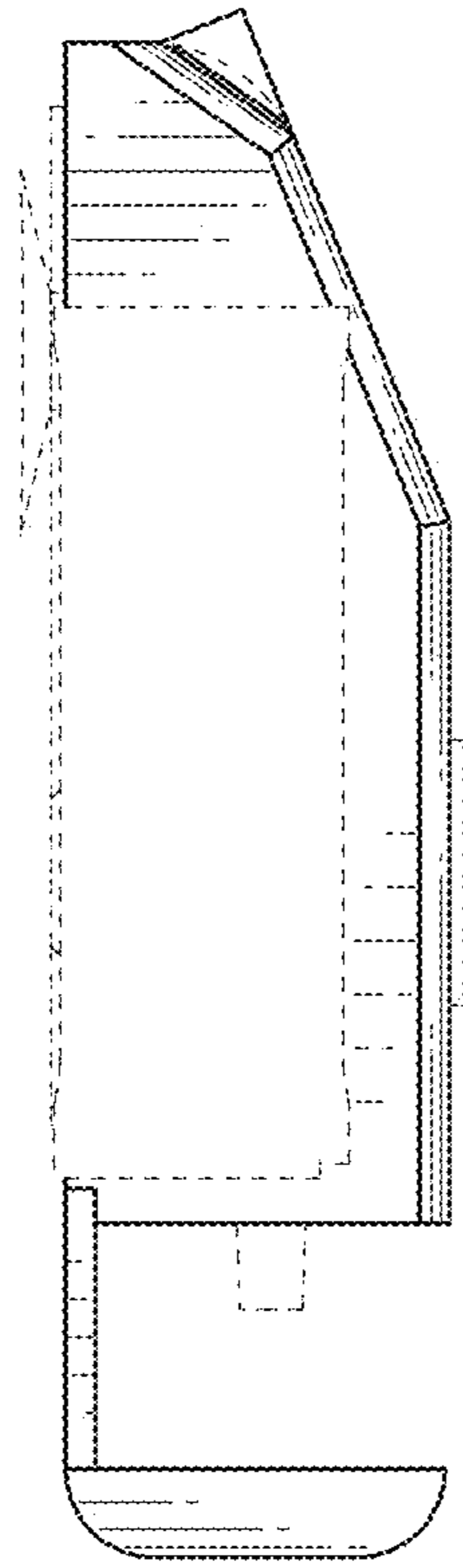


FIG. 5

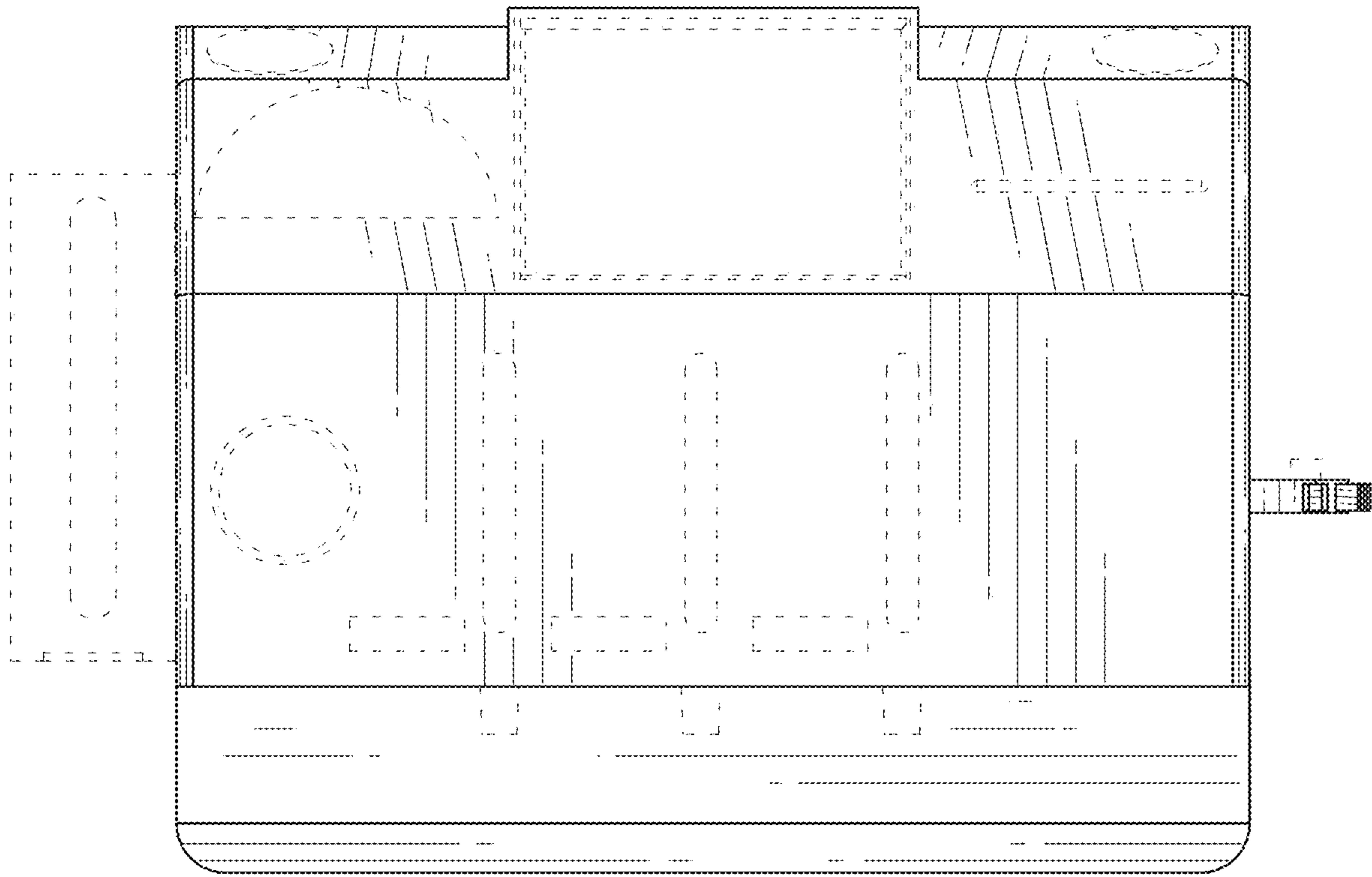


FIG. 6

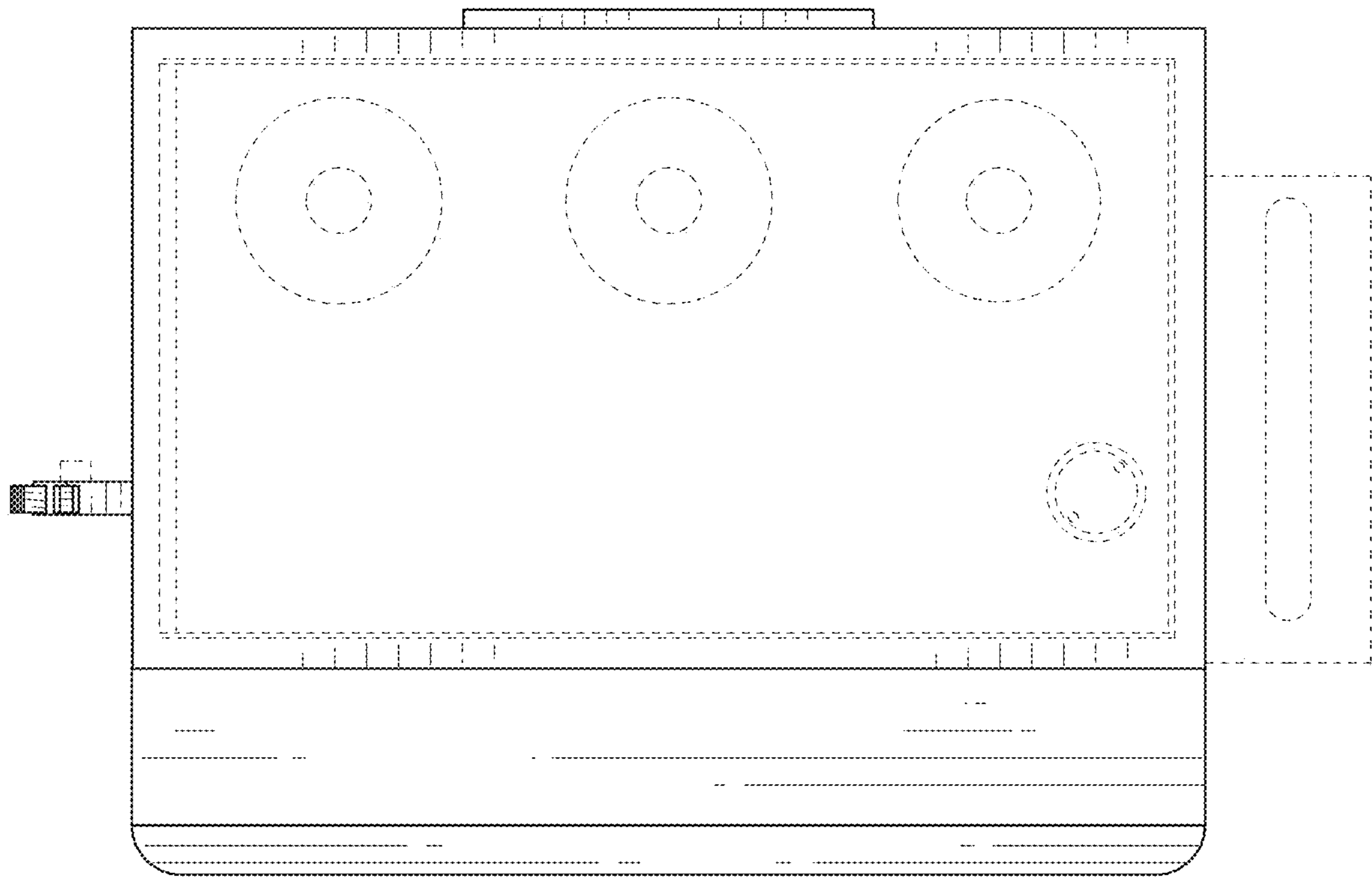


FIG. 7



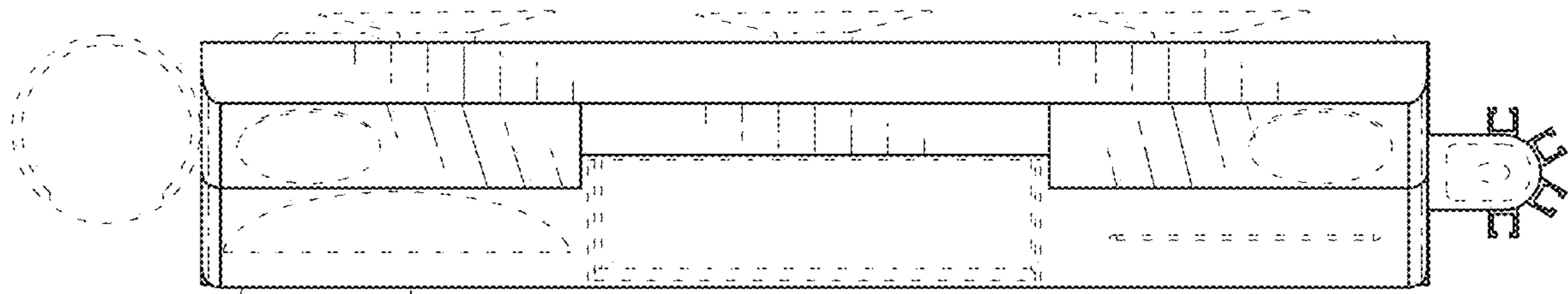


FIG. 8

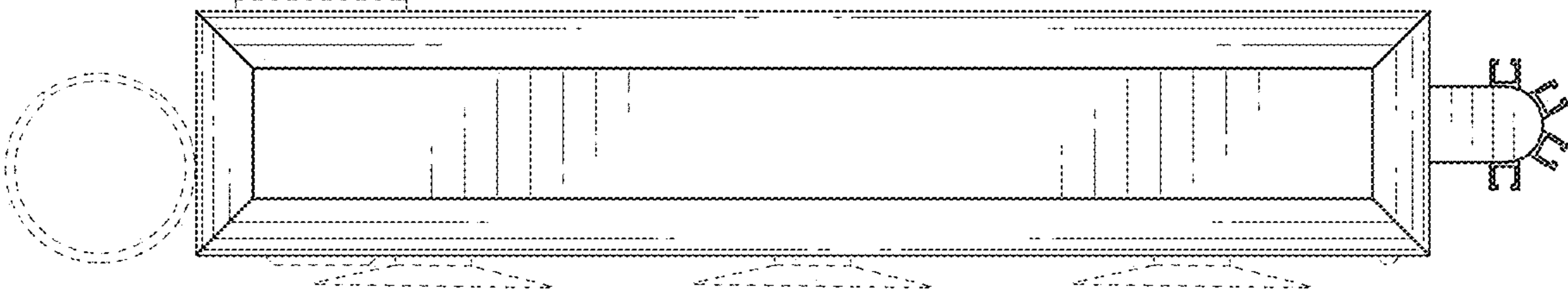


FIG. 9

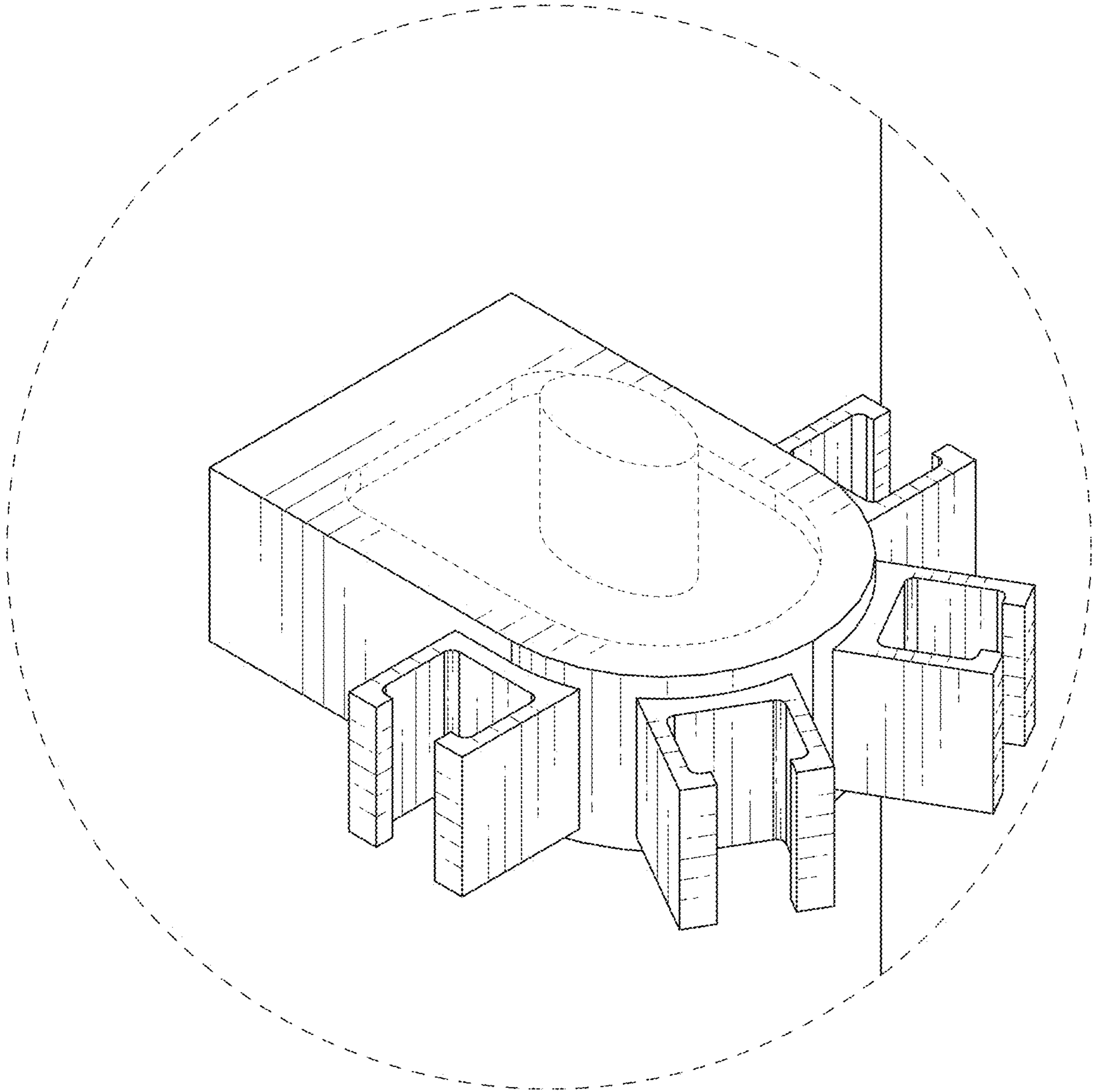


FIG. 10

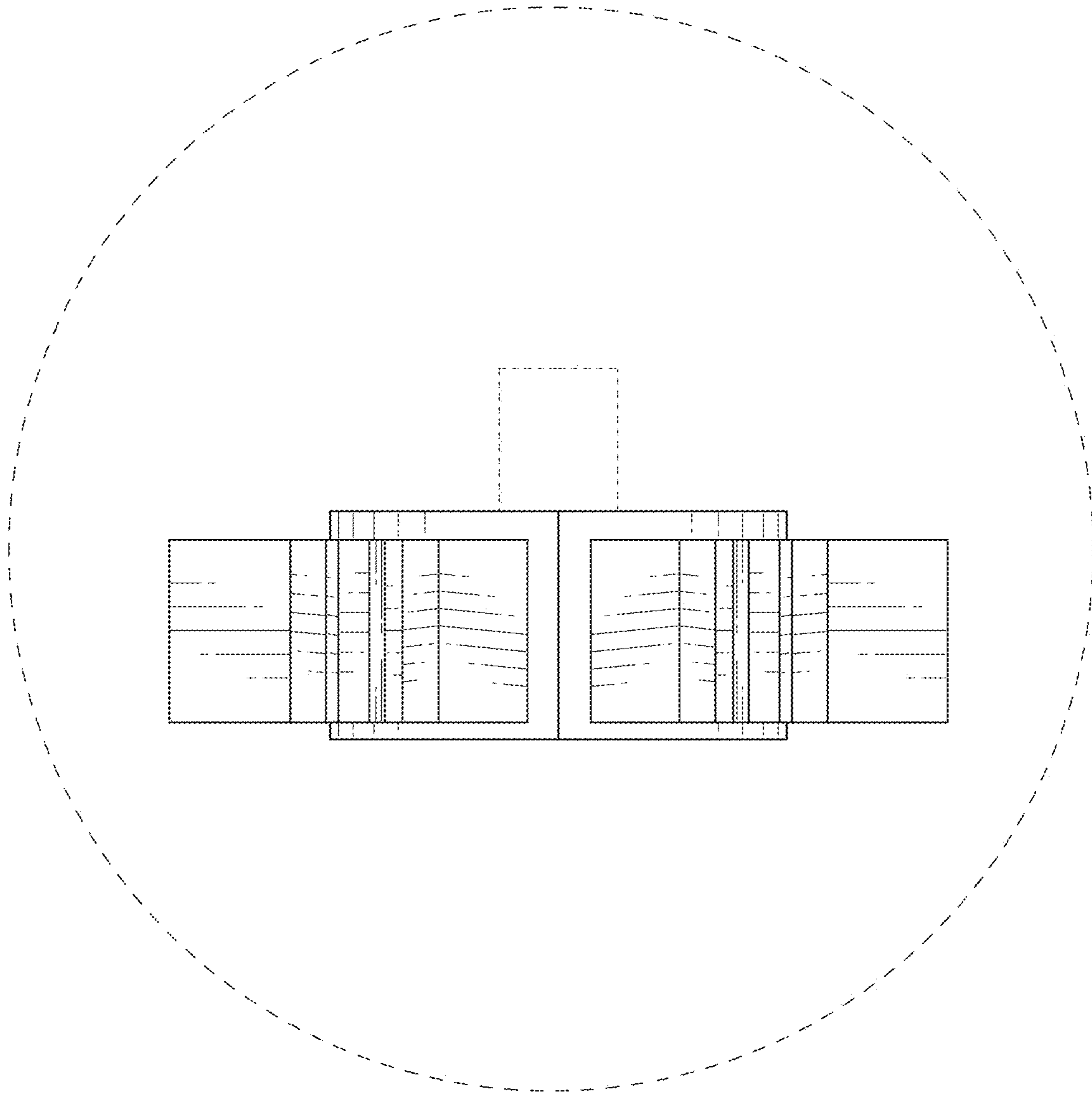


FIG. 11