



US00D922584S

(12) **United States Design Patent**
Driskell

(10) **Patent No.:** **US D922,584 S**
(45) **Date of Patent:** **** Jun. 15, 2021**

(54) **DENTAL APPARATUS CONTAINER**

(71) Applicant: **Lois Driskell**, West Plains, MO (US)

(72) Inventor: **Lois Driskell**, West Plains, MO (US)

(**) Term: **15 Years**

(21) Appl. No.: **29/714,005**

(22) Filed: **Nov. 20, 2019**

(51) **LOC (13) Cl.** **24-02**

(52) **U.S. Cl.**
USPC **D24/176**

(58) **Field of Classification Search**

USPC D24/176-177, 217; D3/201, 203.1,
D3/203.7, 294; D9/414, 420, 428;
D28/73, 76, 82, 91
CPC A45D 44/20; A45C 11/00; A45C 11/16;
A61C 19/00; A61C 19/002; A61C 19/02;
A61C 7/08; A61C 17/036; B65D 43/164;
B65D 43/169; B65D 85/54
See application file for complete search history.

(56) **References Cited**

U.S. PATENT DOCUMENTS

D324,997 S * 3/1992 Jones D28/82
D372,535 S * 8/1996 DiCianna D24/176

D458,377 S * 6/2002 Pabari D24/176
9,358,084 B2 * 6/2016 Prewitt A45D 44/20
10,092,381 B2 * 10/2018 Prewitt A61C 19/002
2019/0021473 A1 * 1/2019 Prewitt A45D 44/20
2021/0077236 A1 * 3/2021 Driskell A61C 17/036

* cited by examiner

Primary Examiner — Wan Laymon

(74) *Attorney, Agent, or Firm* — The Iwashko Law Firm,
PLLC; Lev Ivan Gabriel Iwashko

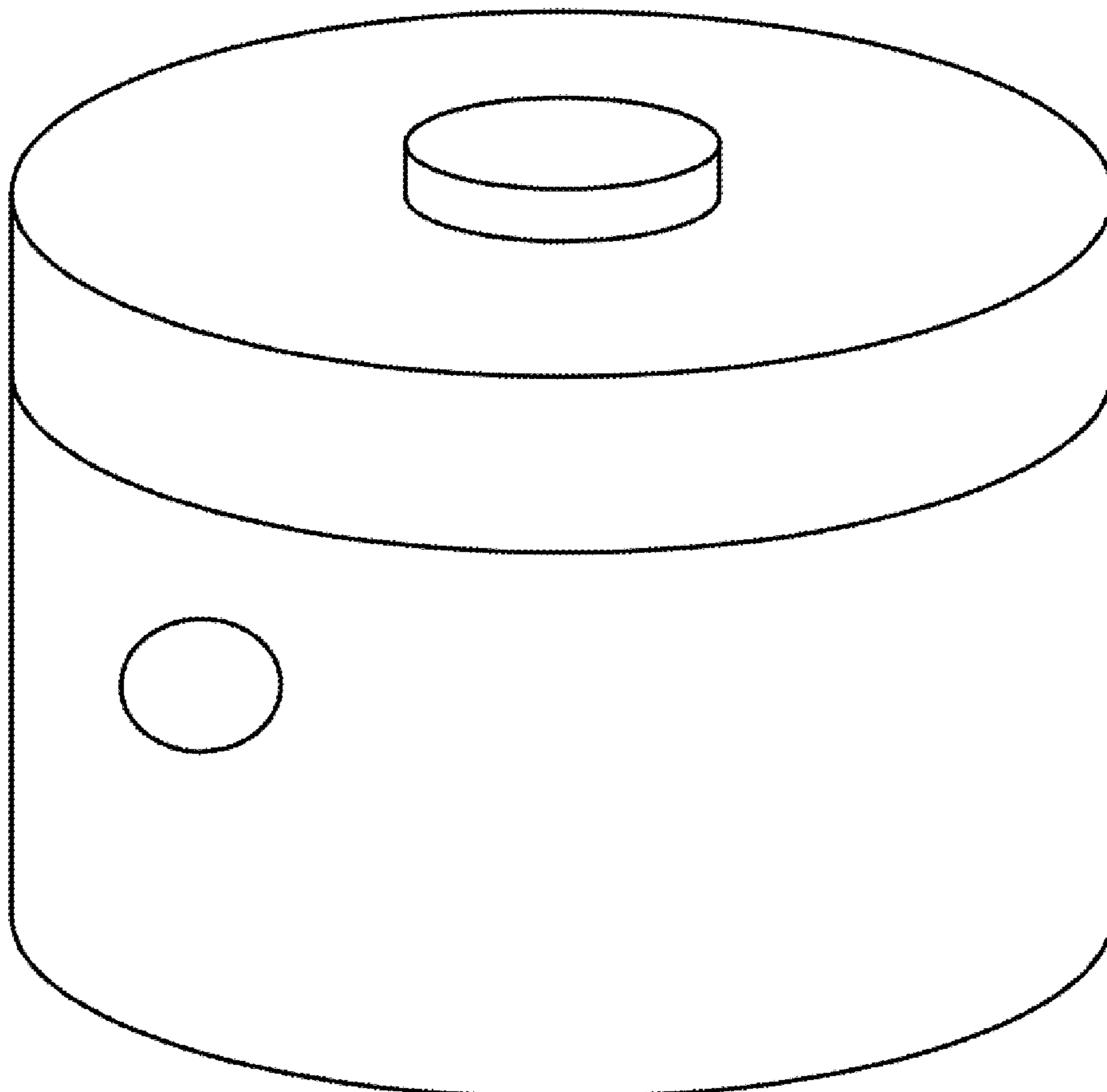
(57) **CLAIM**

The ornamental design for a dental apparatus container, as shown and described.

DESCRIPTION

FIG. 1 illustrates a three-dimensional isometric view of a dental apparatus container in a closed position showing my new design; and, FIG. 2 illustrates a three-dimensional isometric view of the dental apparatus container in an open position. The broken lines shown in FIG. 2 are included for the purpose of illustrating environmental structure and forms no part of the claimed design.

1 Claim, 2 Drawing Sheets



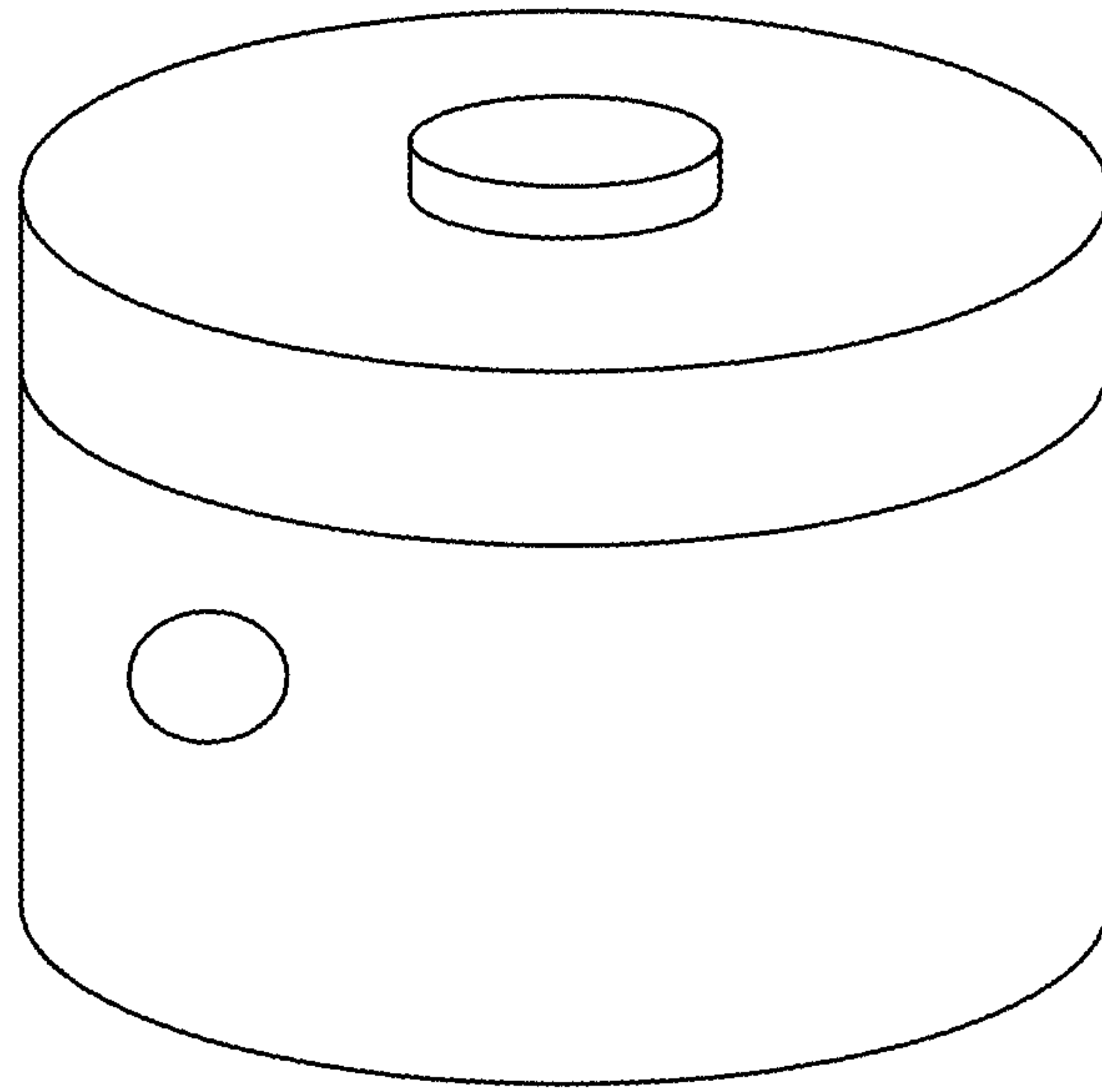


FIG. 1

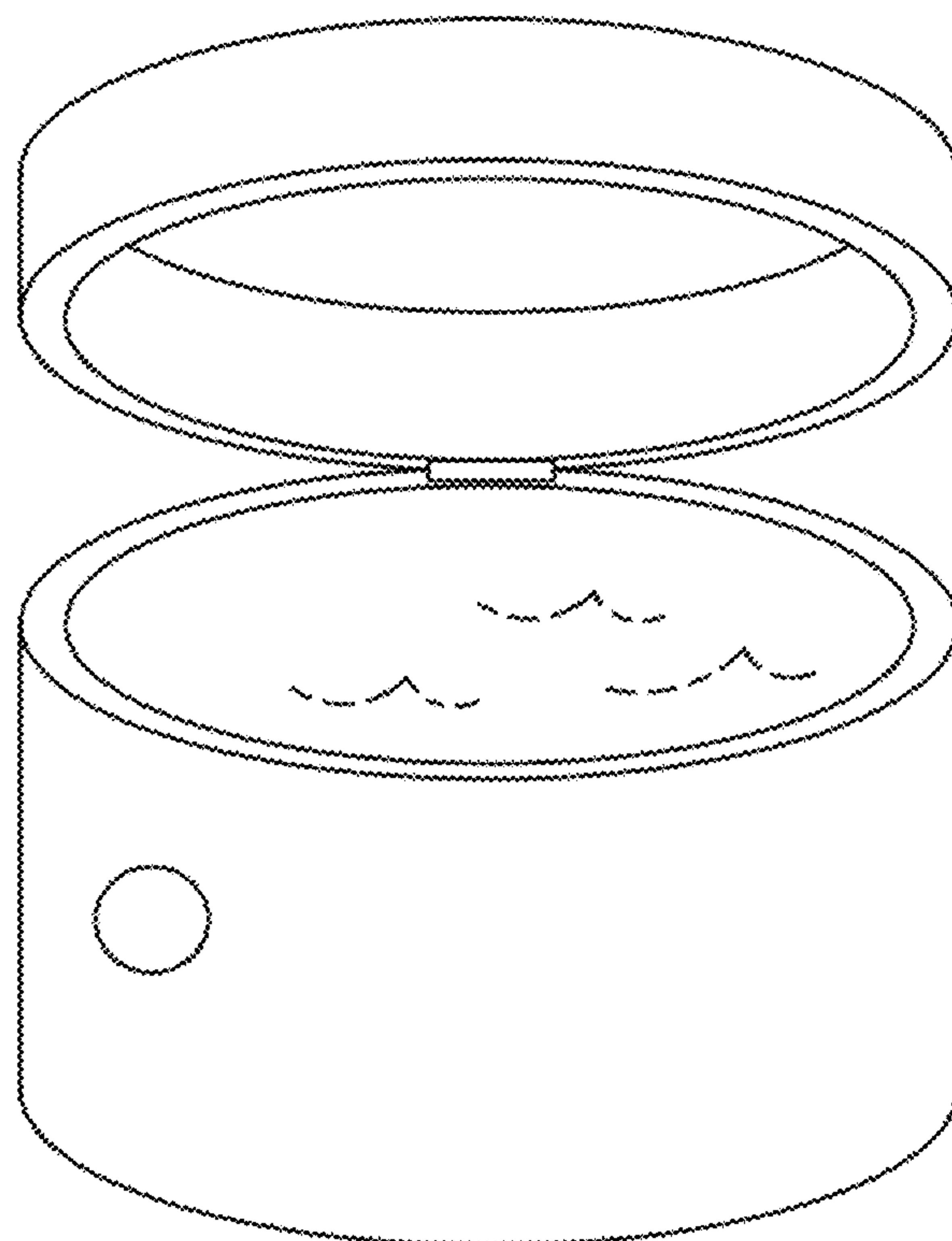


FIG. 2