



US00D922583S

(12) **United States Design Patent**
Kobayashi

(10) **Patent No.:** **US D922,583 S**
(45) **Date of Patent:** **** Jun. 15, 2021**

- (54) **FUNDUS CAMERA**
- (71) Applicant: **Nikon Corporation**, Tokyo (JP)
- (72) Inventor: **Yuki Kobayashi**, Tokyo (JP)
- (73) Assignee: **Nikon Corporation**, Tokyo (JP)
- (**) Term: **15 Years**
- (21) Appl. No.: **29/669,624**
- (22) Filed: **Nov. 9, 2018**
- (51) **LOC (13) Cl.** **24-02**
- (52) **U.S. Cl.**
USPC **D24/172**
- (58) **Field of Classification Search**
USPC D24/172, 137, 158; D10/46
CPC A61B 3/107; A61B 3/0066; A61F 9/008
See application file for complete search history.

- D698,444 S * 1/2014 Mensink D24/172
- D705,430 S * 5/2014 Sekine D24/172
- D738,509 S * 9/2015 van Elzakker D24/172
- D808,527 S * 1/2018 Wing D24/158
- D812,759 S * 3/2018 Sekine D24/172
- D847,345 S * 4/2019 Iliffe-Moon D24/172
- 2011/0299038 A1 * 12/2011 Antkowiak A61B 3/0066
351/221

* cited by examiner

Primary Examiner — Rhea Shields

(74) *Attorney, Agent, or Firm* — Wolf, Greenfield & Sacks, P.C.

(57) **CLAIM**

The ornamental design for a fundus camera, as shown and described.

DESCRIPTION

FIG. 1 is a front perspective view of a fundus camera showing my new design;
 FIG. 2 is a rear perspective view thereof;
 FIG. 3 is a front view thereof;
 FIG. 4 is a rear view thereof;
 FIG. 5 is a top plan view thereof;
 FIG. 6 is a bottom plan view thereof;
 FIG. 7 is a right side view thereof; and,
 FIG. 8 is a left side view thereof.
 The drawings include shadows and reflections which indicate contour, not surface ornamentation. The broken lines illustrate portions of the fundus camera that form no part of the claimed design.

(56) **References Cited**

U.S. PATENT DOCUMENTS

- 4,407,572 A * 10/1983 Humphrey A61B 3/107
351/212
- D330,769 S * 11/1992 Blaha D24/137
- D341,541 S * 11/1993 Ichiyoshi D10/46
- D390,663 S * 2/1998 Wolf D24/172
- D394,505 S * 5/1998 Hayashi D24/172
- D465,850 S * 11/2002 Takizawa D24/172
- 6,685,317 B2 * 2/2004 Su A61F 9/008
351/206
- D552,736 S * 10/2007 Yamaoka D24/172
- D589,622 S * 3/2009 Koest D10/46
- D614,774 S * 4/2010 Gausmann D24/172

1 Claim, 8 Drawing Sheets



FIG. 1



FIG.2

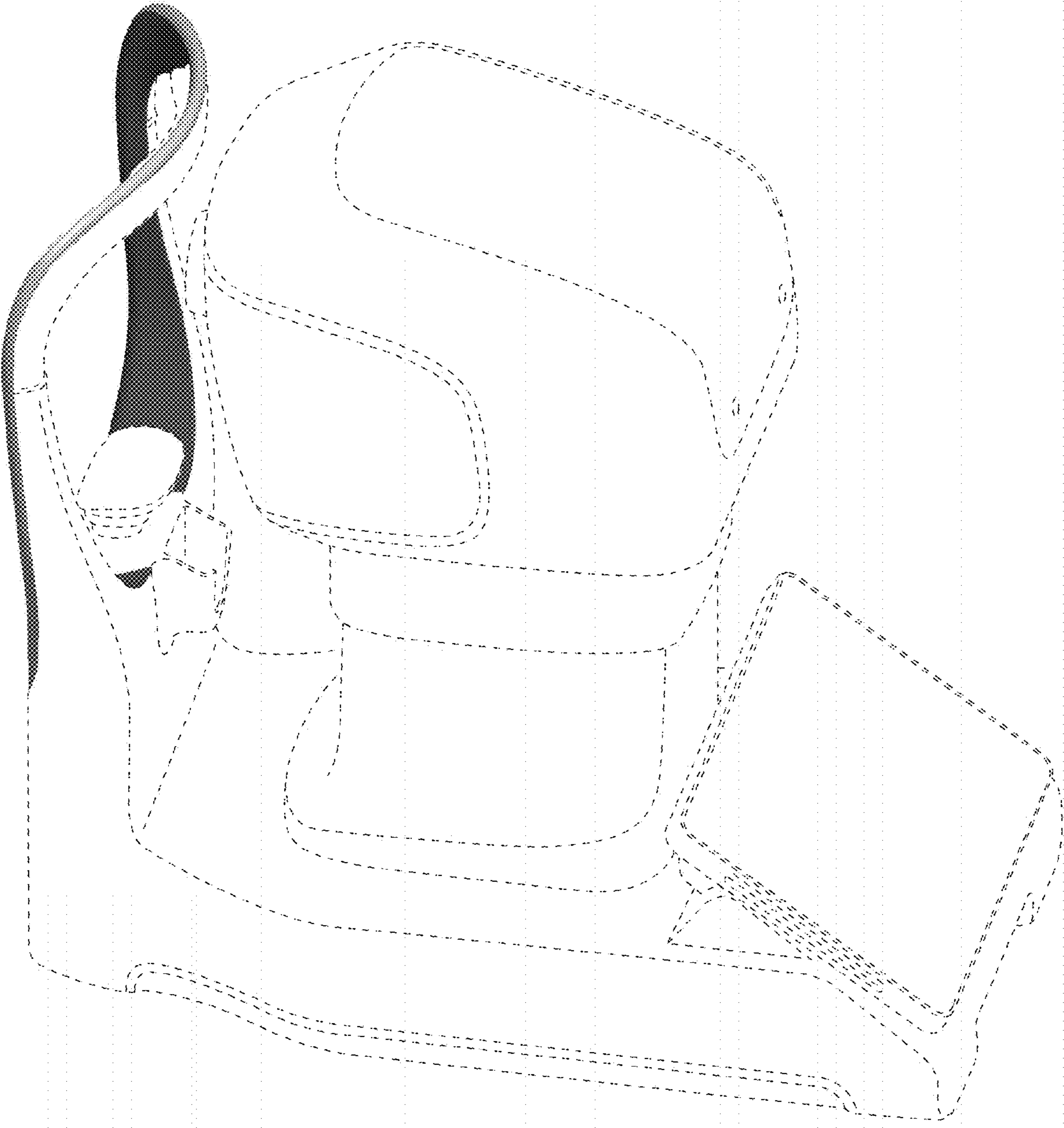


FIG. 3

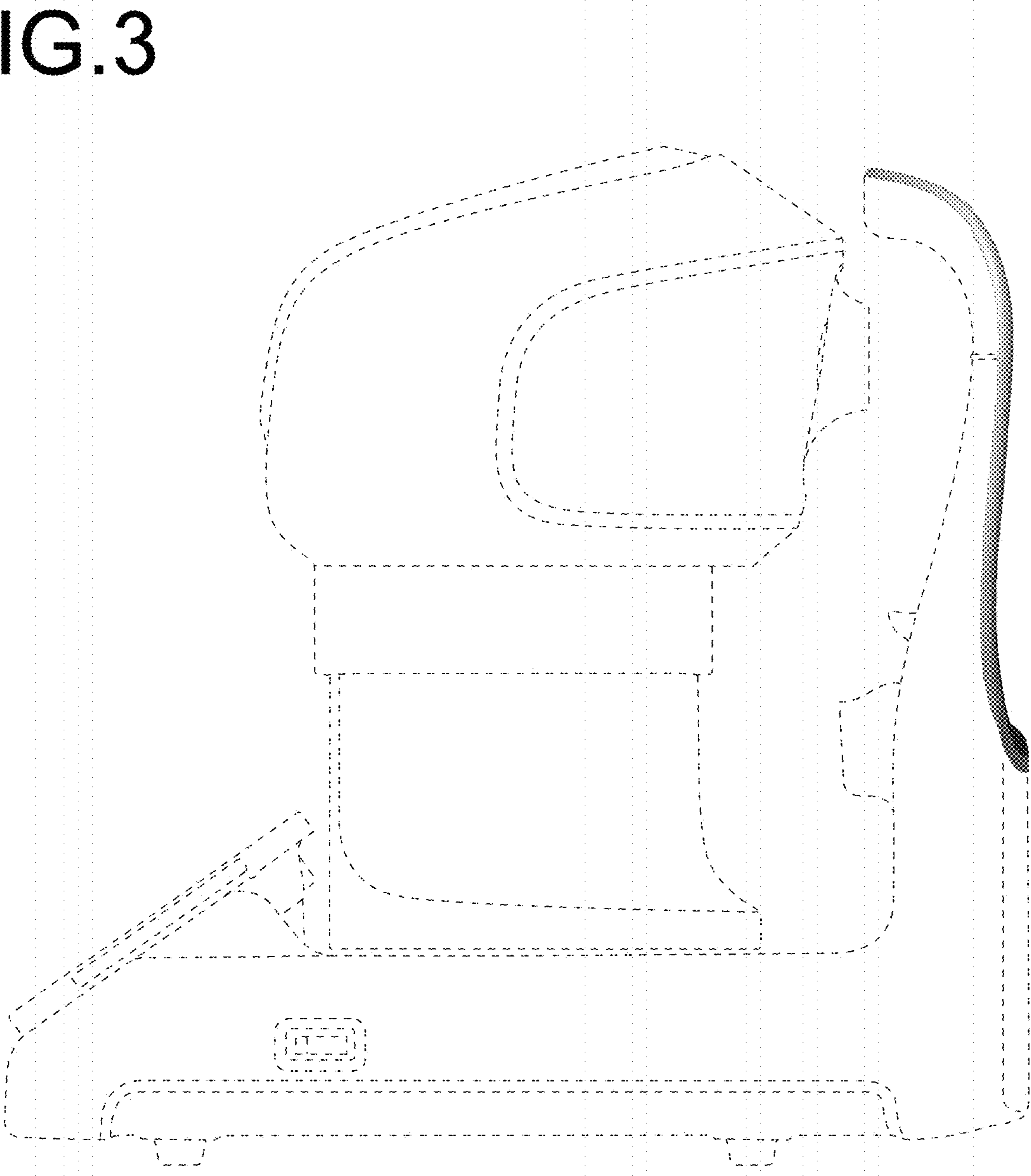


FIG.4

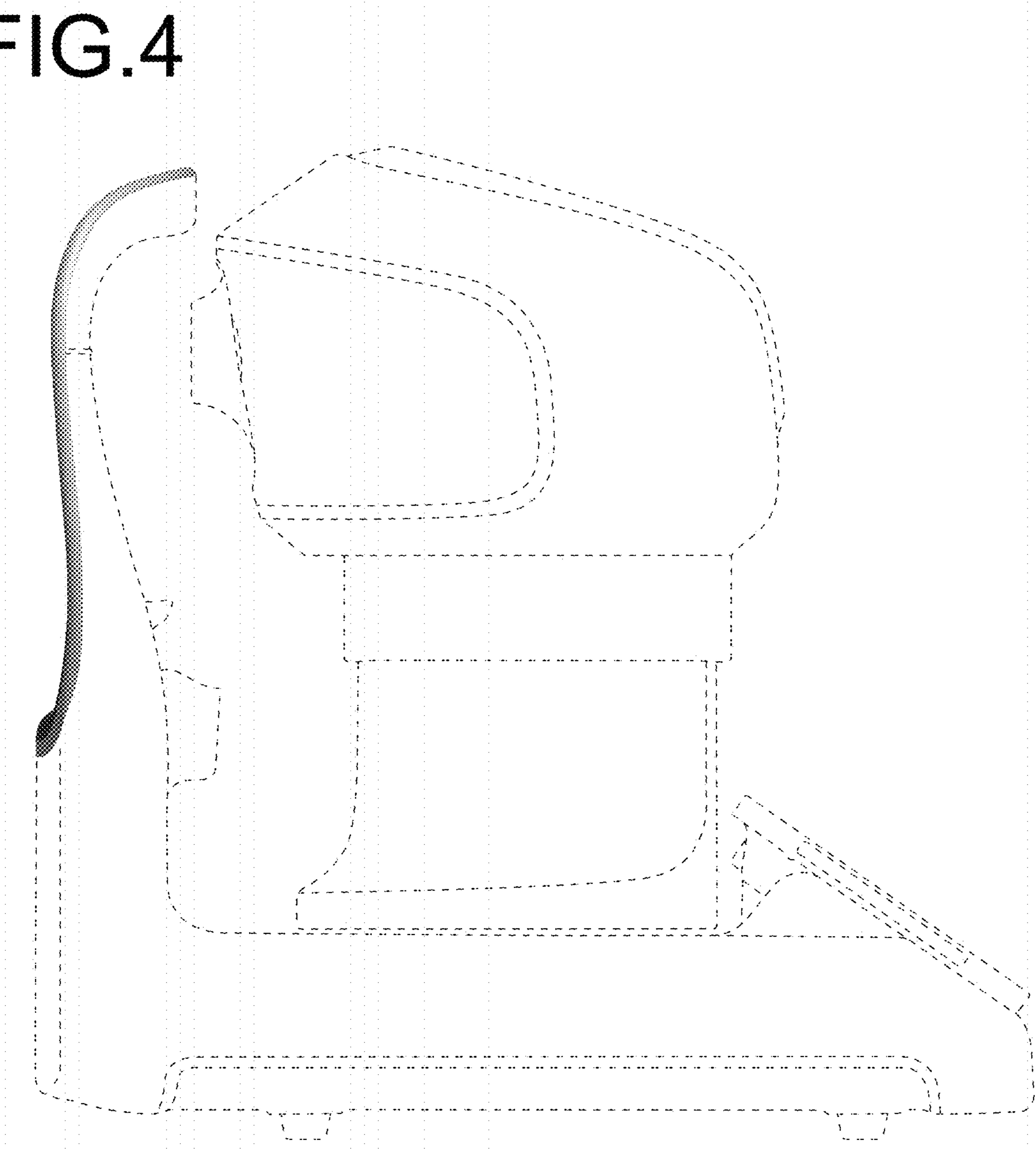


FIG.5

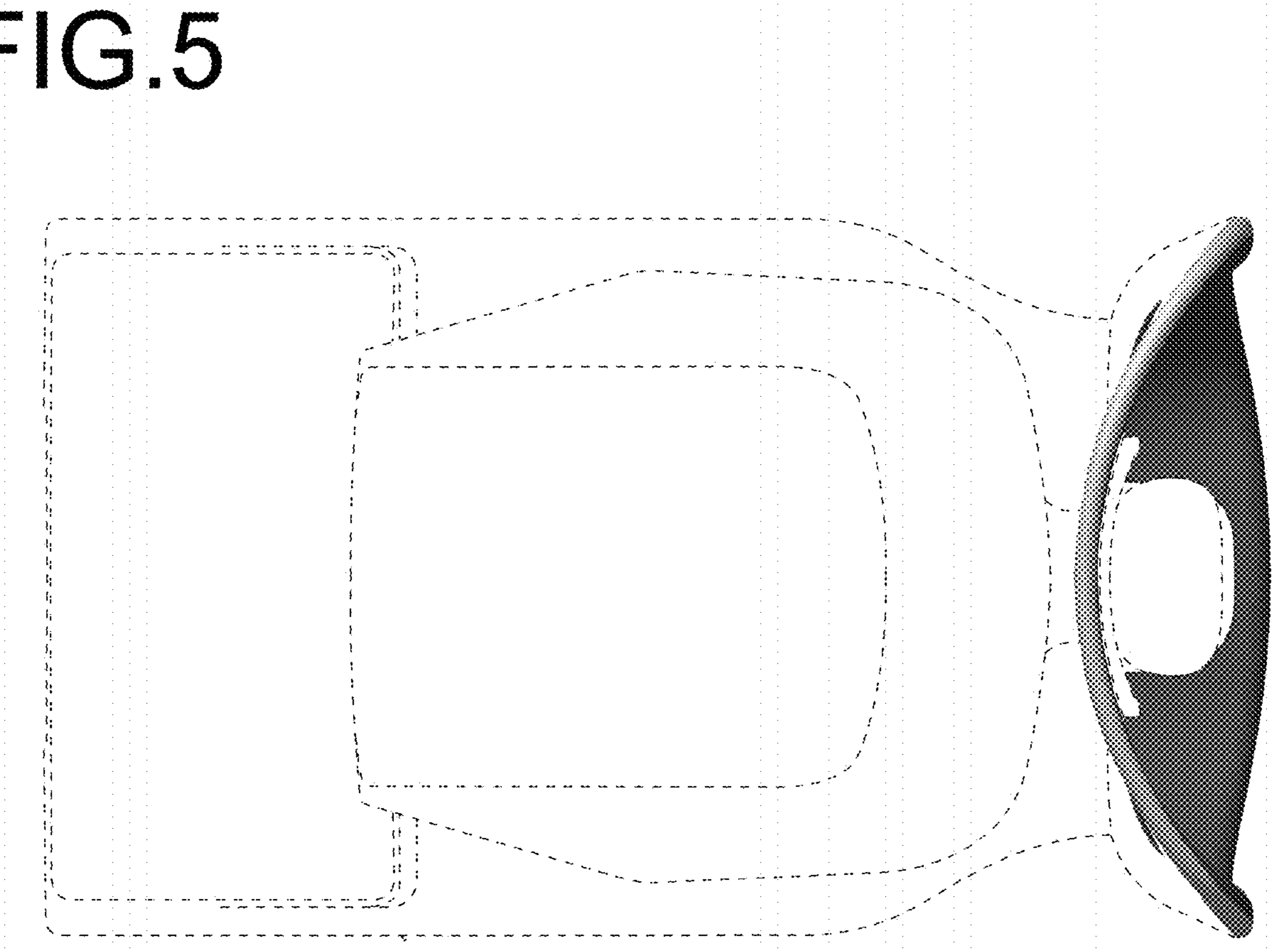


FIG. 6

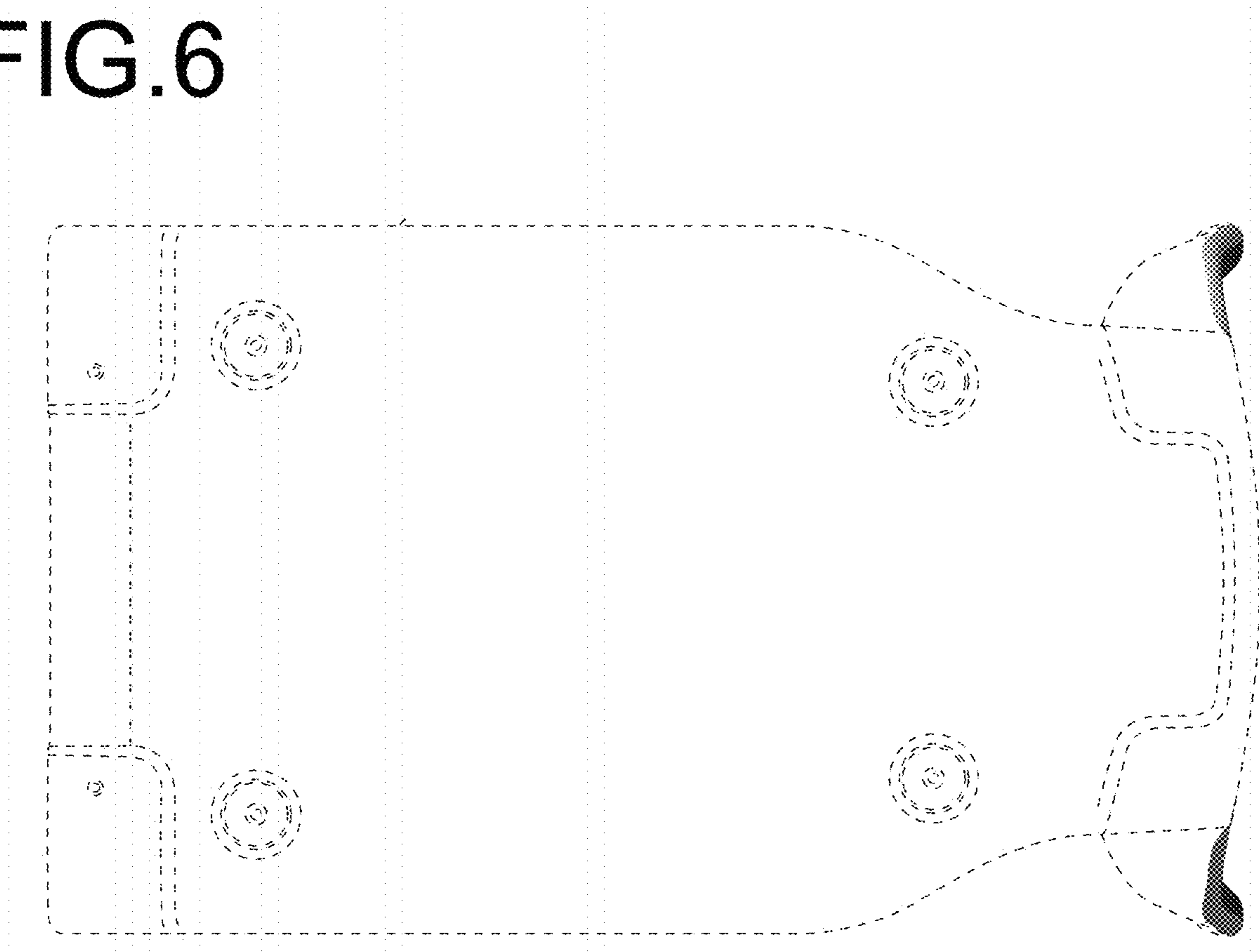


FIG.7

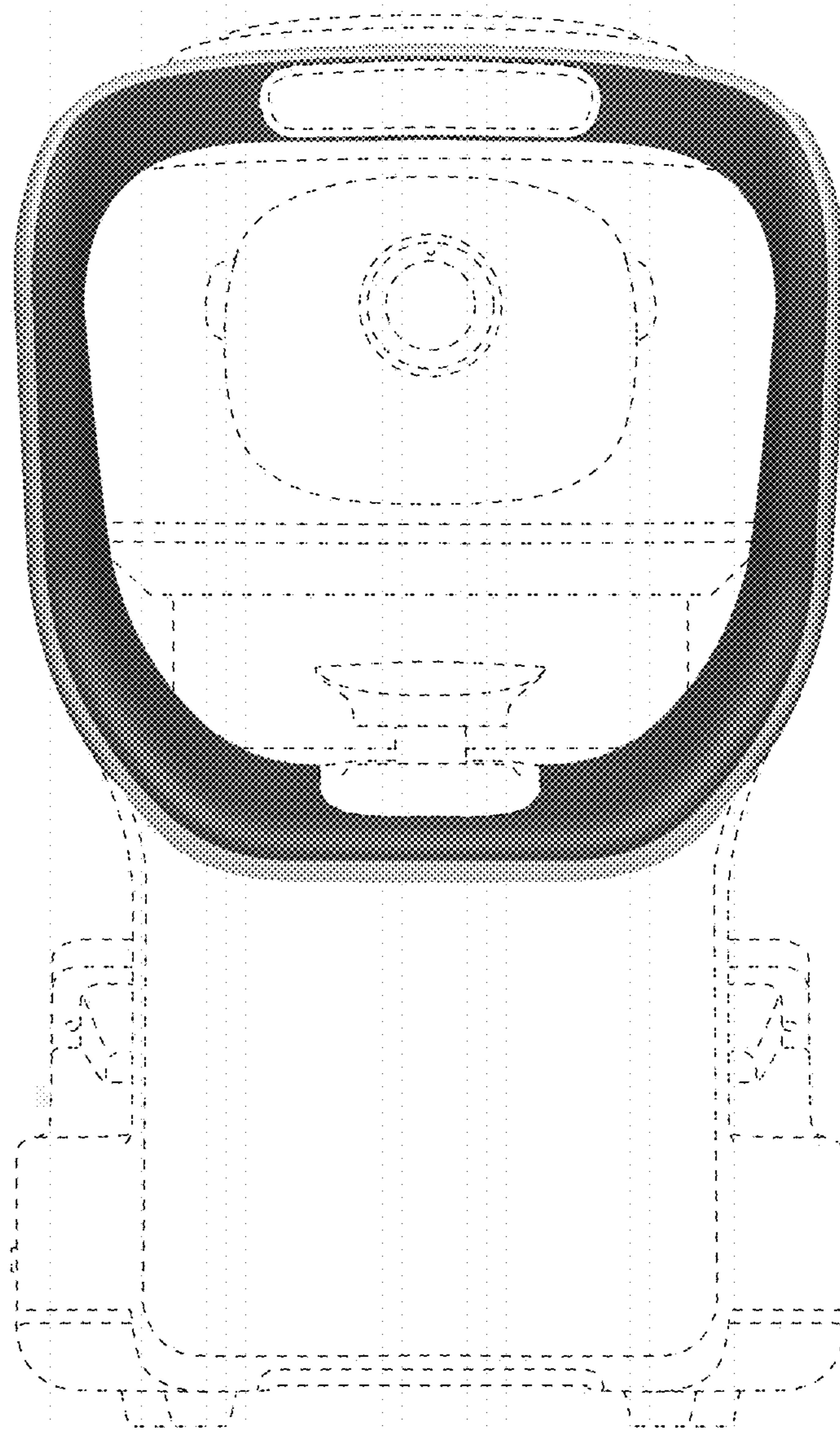


FIG.8

