



US00D922581S

(12) **United States Design Patent**
Wang

(10) **Patent No.:** **US D922,581 S**
(45) **Date of Patent:** **** Jun. 15, 2021**

(54) **ELECTRONIC SPHYGMOMANOMETER**
(71) Applicant: **SHENZHEN JAMR TECHNOLOGY CO., LIMITED**, Shenzhen (CN)
(72) Inventor: **Liming Wang**, Shenzhen (CN)
(73) Assignee: **SHENZHEN JAMR TECHNOLOGY CO., LIMITED**, Shenzhen (CN)

9,153,112 B1 * 10/2015 Kiani G08B 13/22
D743,035 S * 11/2015 Uozumi D24/165
D802,768 S * 11/2017 Rider D24/165
D862,702 S * 10/2019 Nishiyama D24/165
D871,582 S * 12/2019 Hirasawa D24/165
D885,582 S * 5/2020 Nishiyama D24/165
2013/0253334 A1 * 9/2013 Al-Ali A61B 5/02416
600/476

(**) Term: **15 Years**
(21) Appl. No.: **29/715,643**
(22) Filed: **Dec. 3, 2019**

(30) **Foreign Application Priority Data**
Oct. 14, 2019 (CN) 201930558511.9
(51) **LOC (13) Cl.** **24-01**
(52) **U.S. Cl.**
USPC **D24/165**
(58) **Field of Classification Search**
USPC D24/165-168, 107, 186-187; D14/344
CPC A61B 5/0404; A61B 5/021; A61B 5/024;
A61B 5/02438; A61B 5/681; A61B
5/0402; A61B 2560/0462
See application file for complete search history.

(56) **References Cited**
U.S. PATENT DOCUMENTS
D269,905 S * 7/1983 Tamm D24/166
D583,474 S * 12/2008 Mitsunami D24/165
D665,501 S * 8/2012 Shibata D24/165
D700,702 S * 3/2014 Kolb D24/169
D722,165 S * 2/2015 Pukall D24/165
D739,939 S * 9/2015 Uozumi D24/165

OTHER PUBLICATIONS

Arm Blood Pressure Monitor, posted at jamrmed.com, no posting date, retrieved Dec. 18, 2020, online, URL:http://www.jamrmed.com/col.jsp?id=124 (Year: 2020).*

* cited by examiner

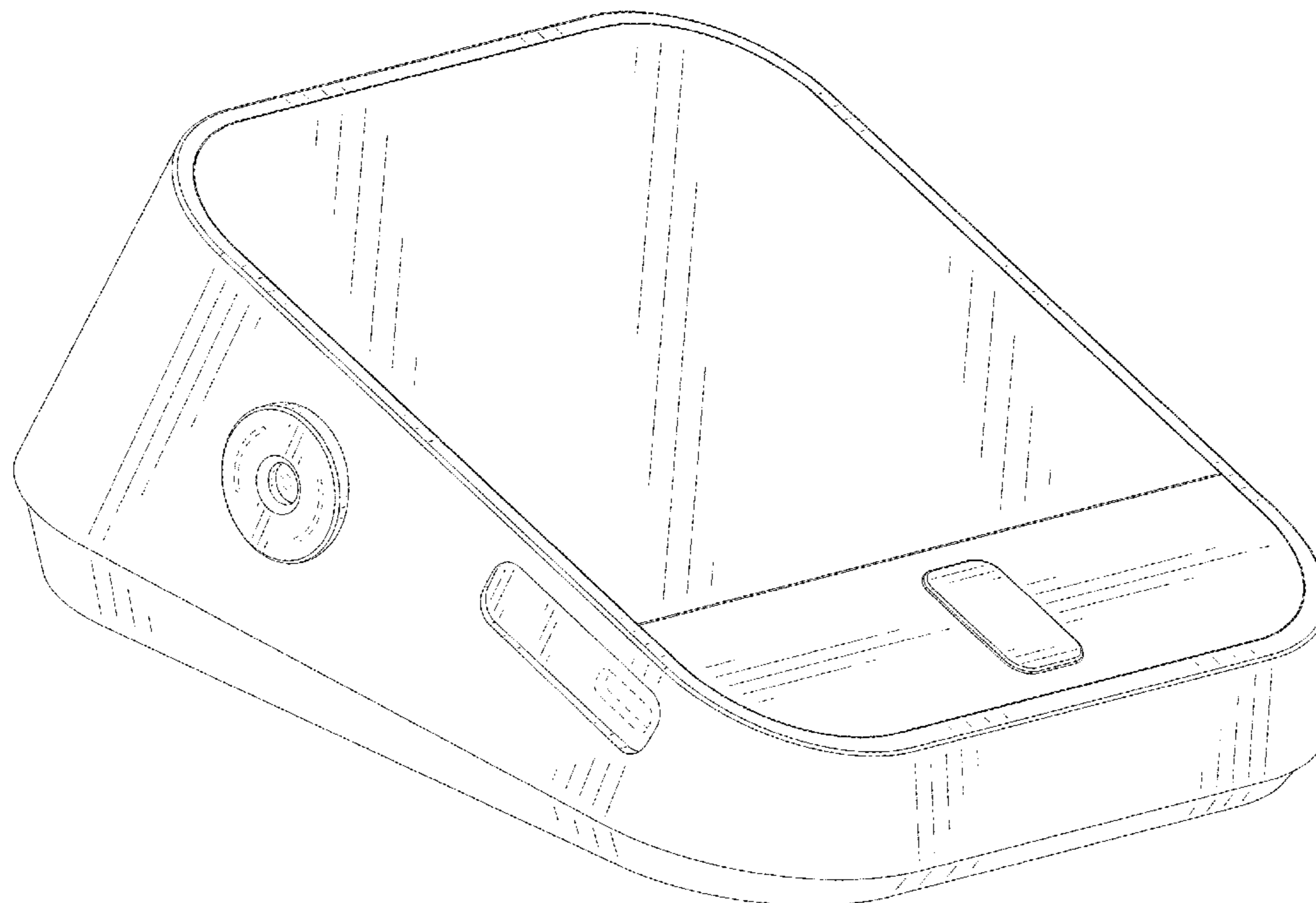
Primary Examiner — Lilyana Bekic
Assistant Examiner — Mary Shannon Malley

(57) **CLAIM**
The ornamental design for an electronic sphygmomanometer, as shown and described.

DESCRIPTION

FIG. 1 is a perspective view of an electronic sphygmomanometer showing my new design;
FIG. 2 is another perspective view thereof;
FIG. 3 is a front elevational view thereof;
FIG. 4 is a rear elevational view thereof;
FIG. 5 is a left side elevational view thereof;
FIG. 6 is a right side elevational view thereof;
FIG. 7 is a top plan view thereof; and,
FIG. 8 is a bottom plan view thereof.
The broken lines in the drawings are for the purpose of illustrating portions of the electronic sphygmomanometer that form no part of the claimed design.

1 Claim, 8 Drawing Sheets



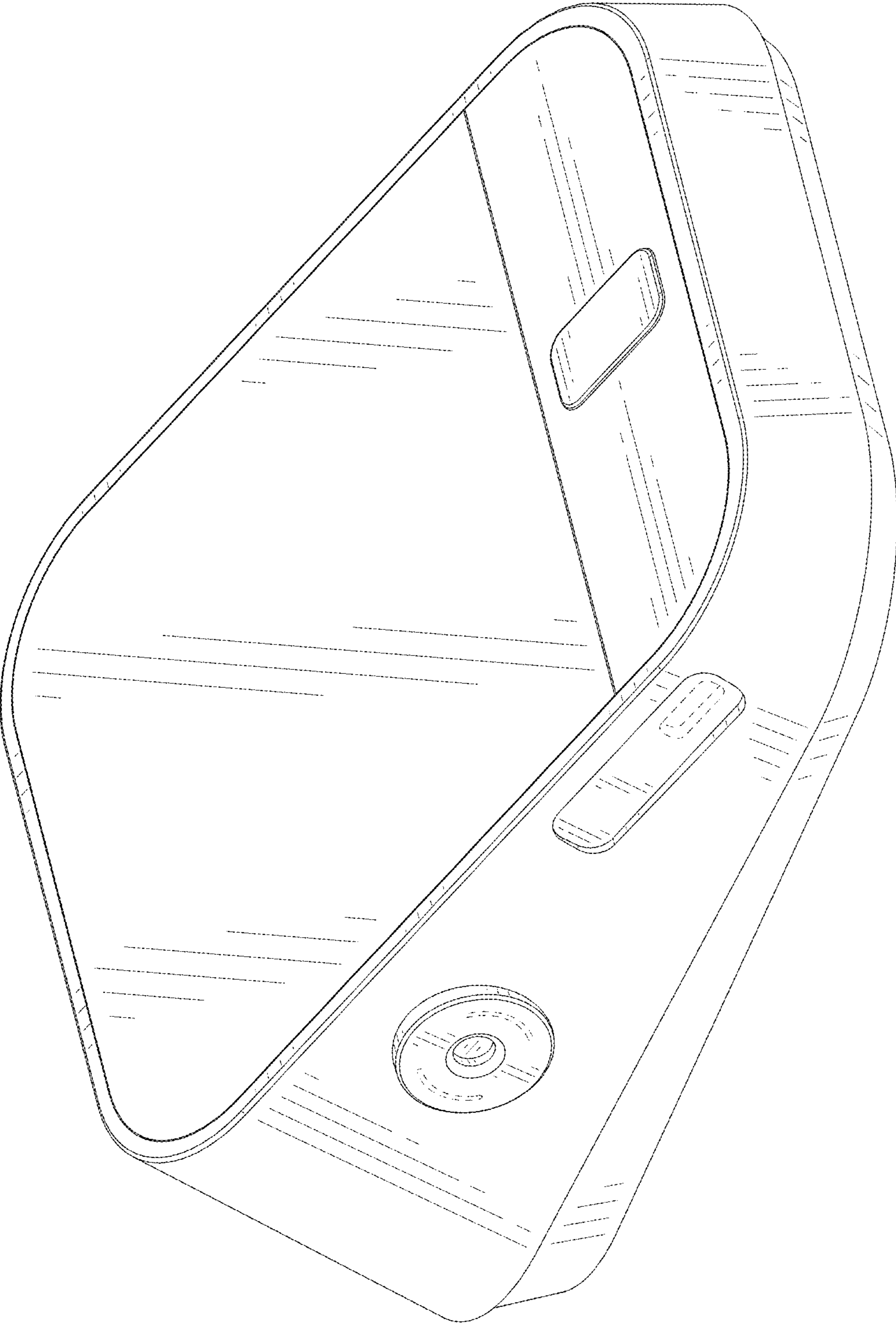


FIG. 1

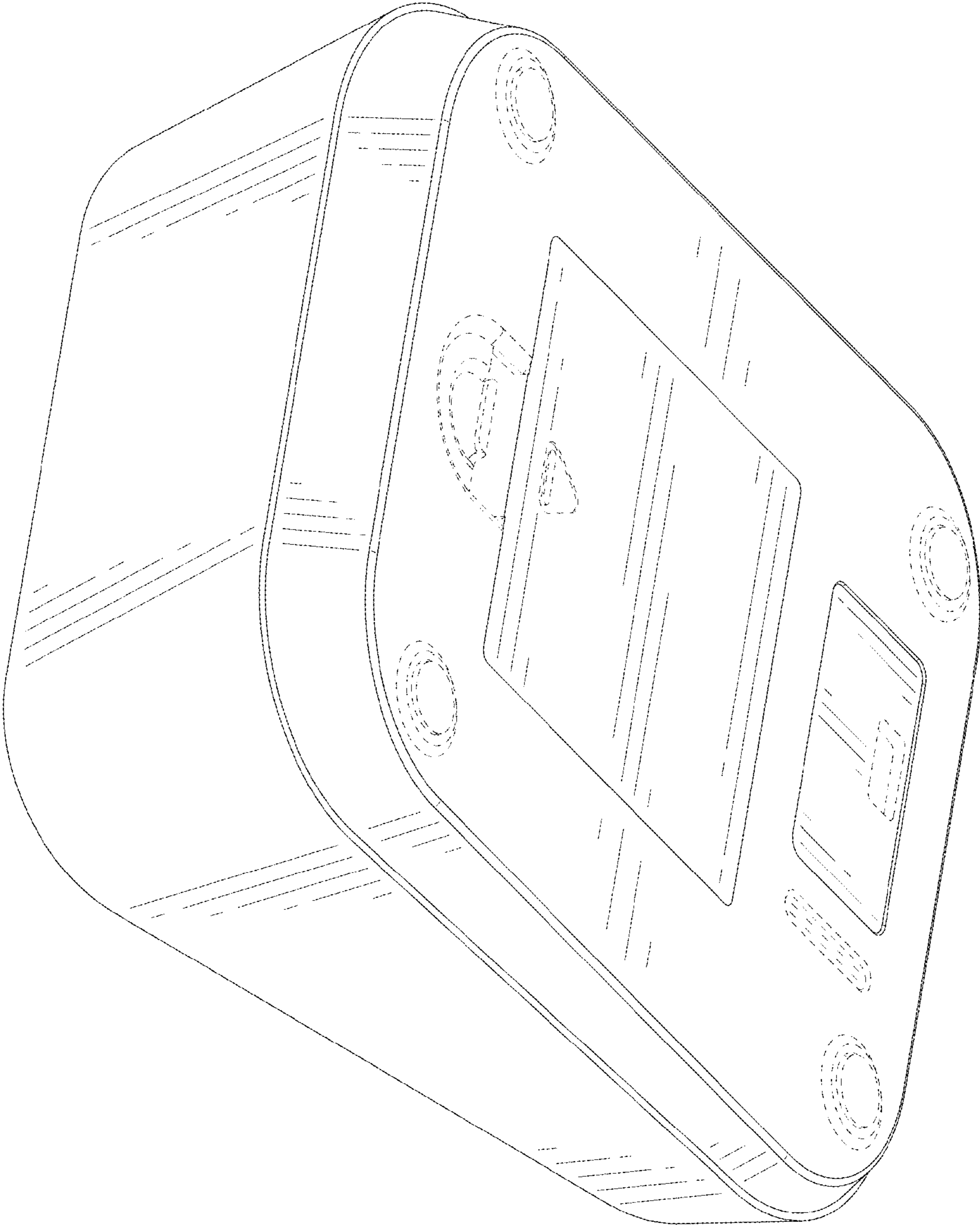


FIG. 2

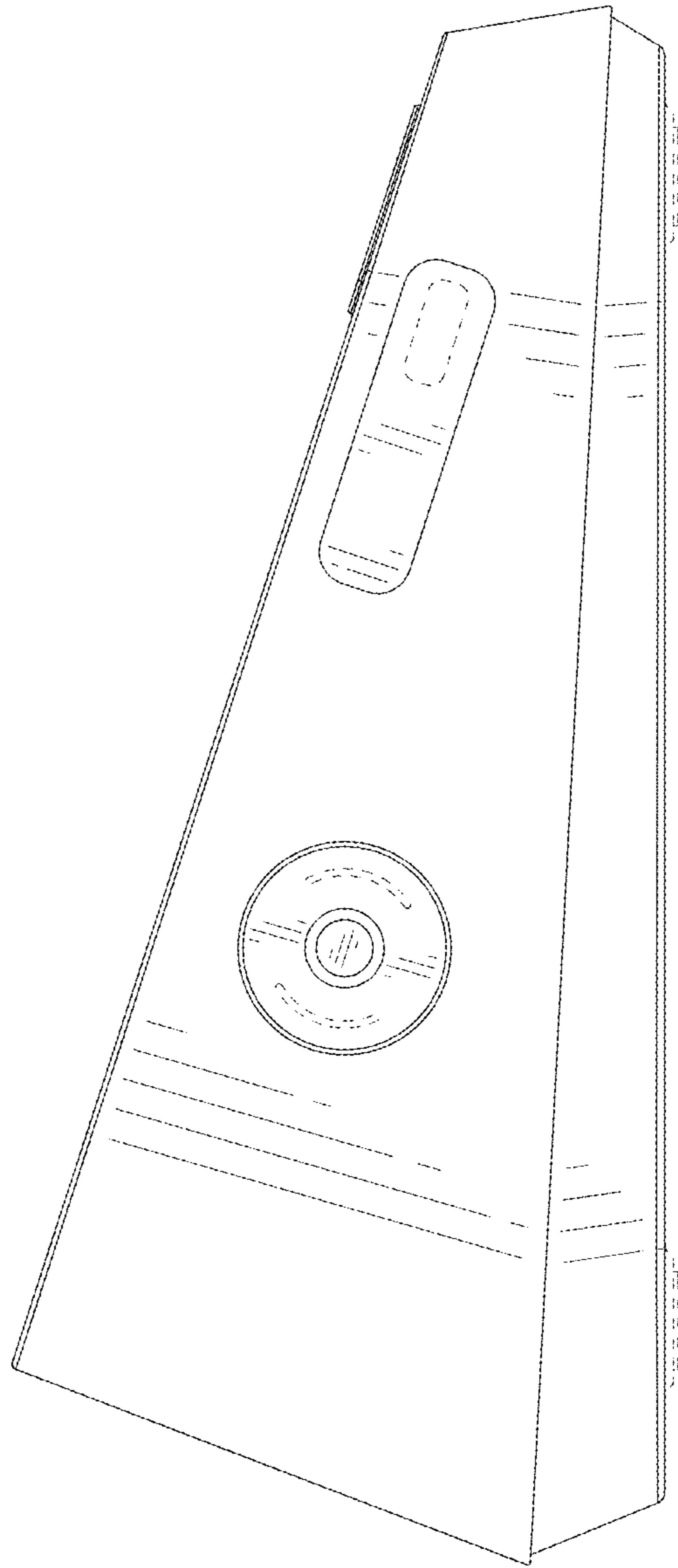


FIG. 3

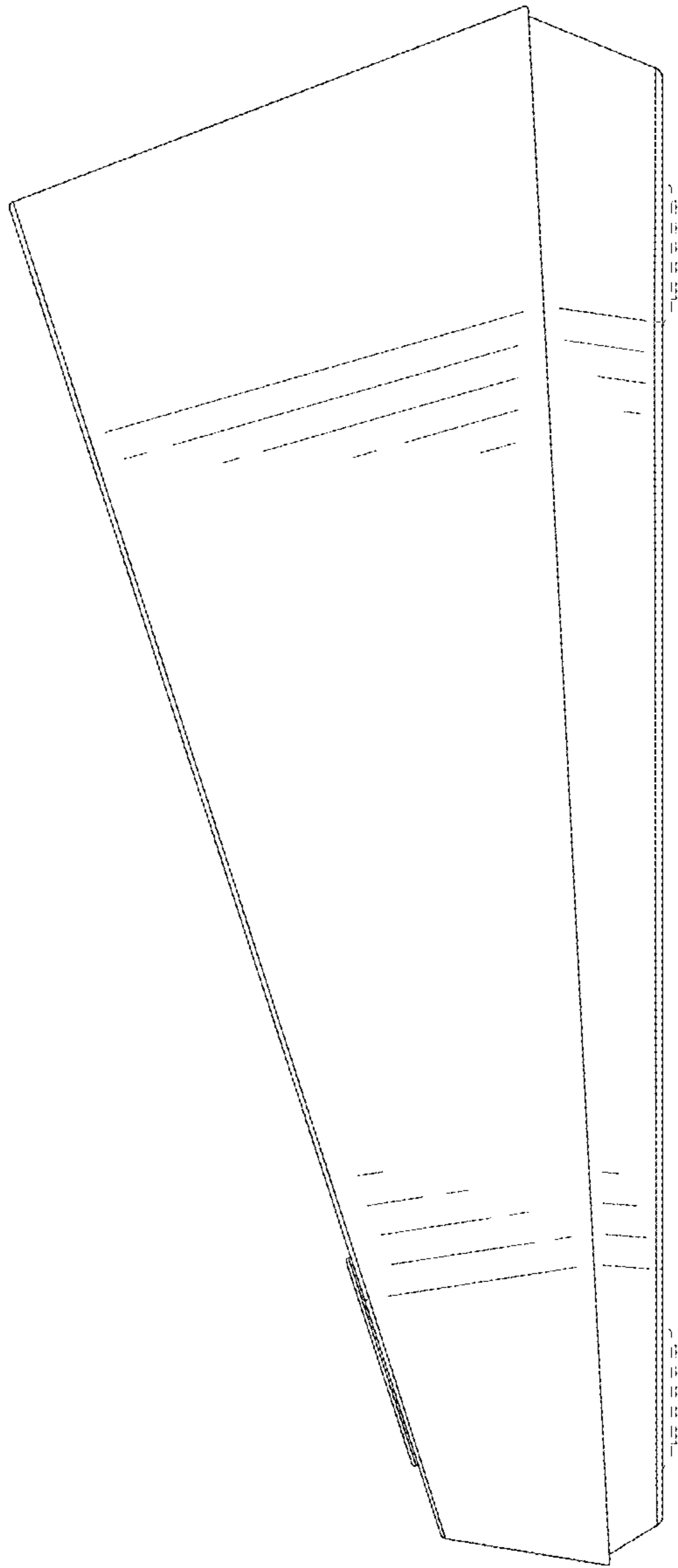


FIG. 4

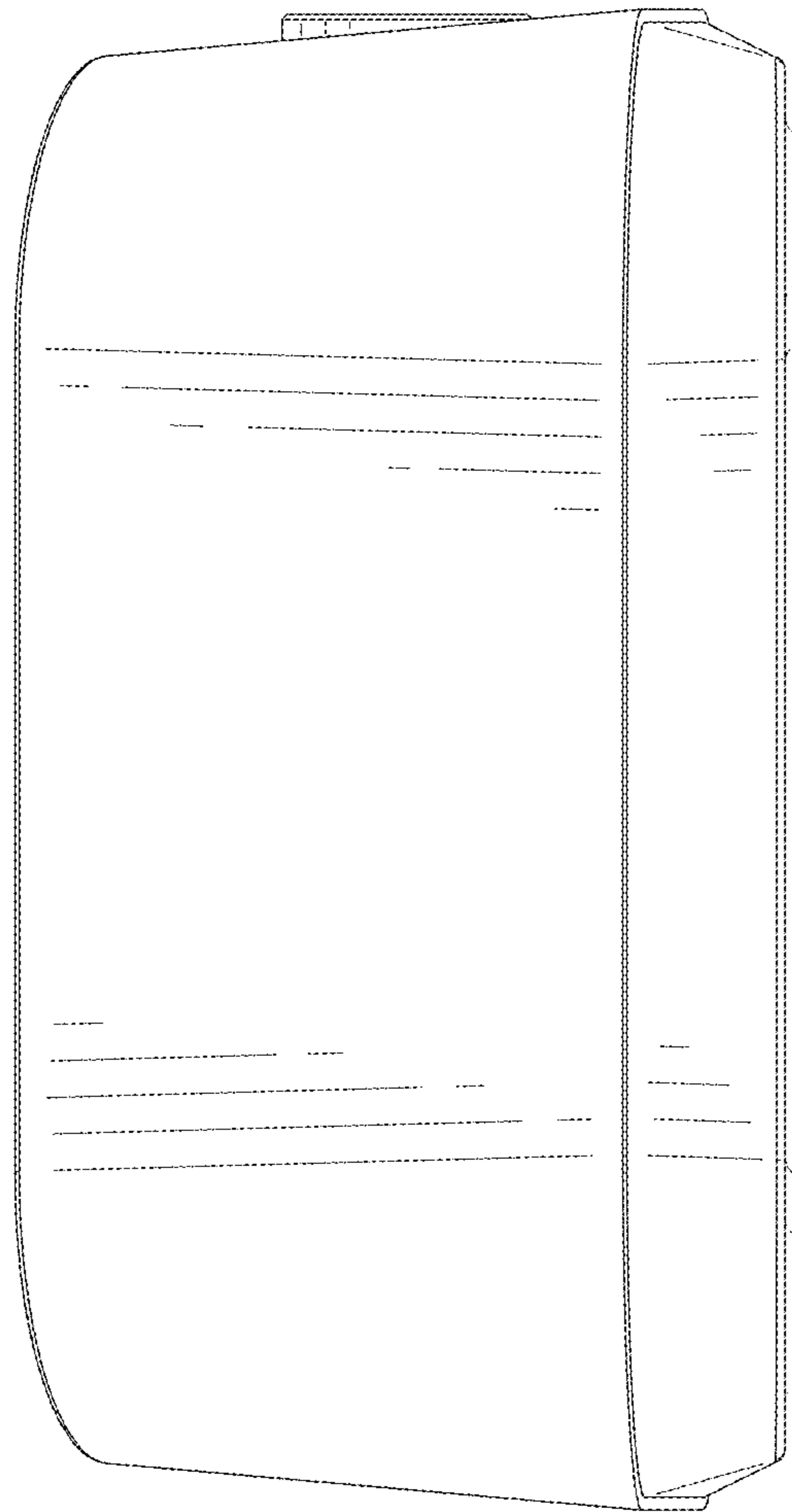


FIG. 5

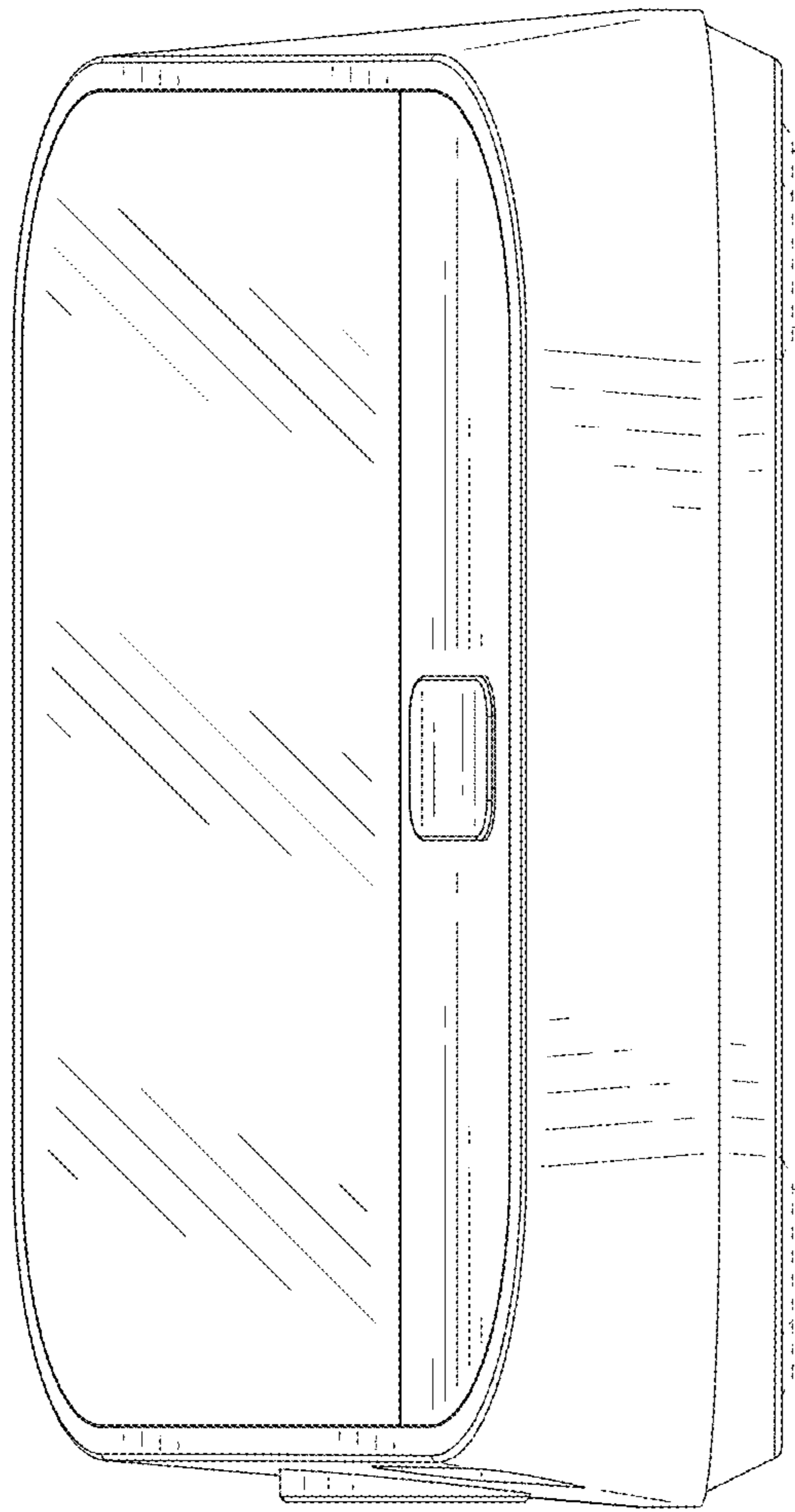


FIG. 6

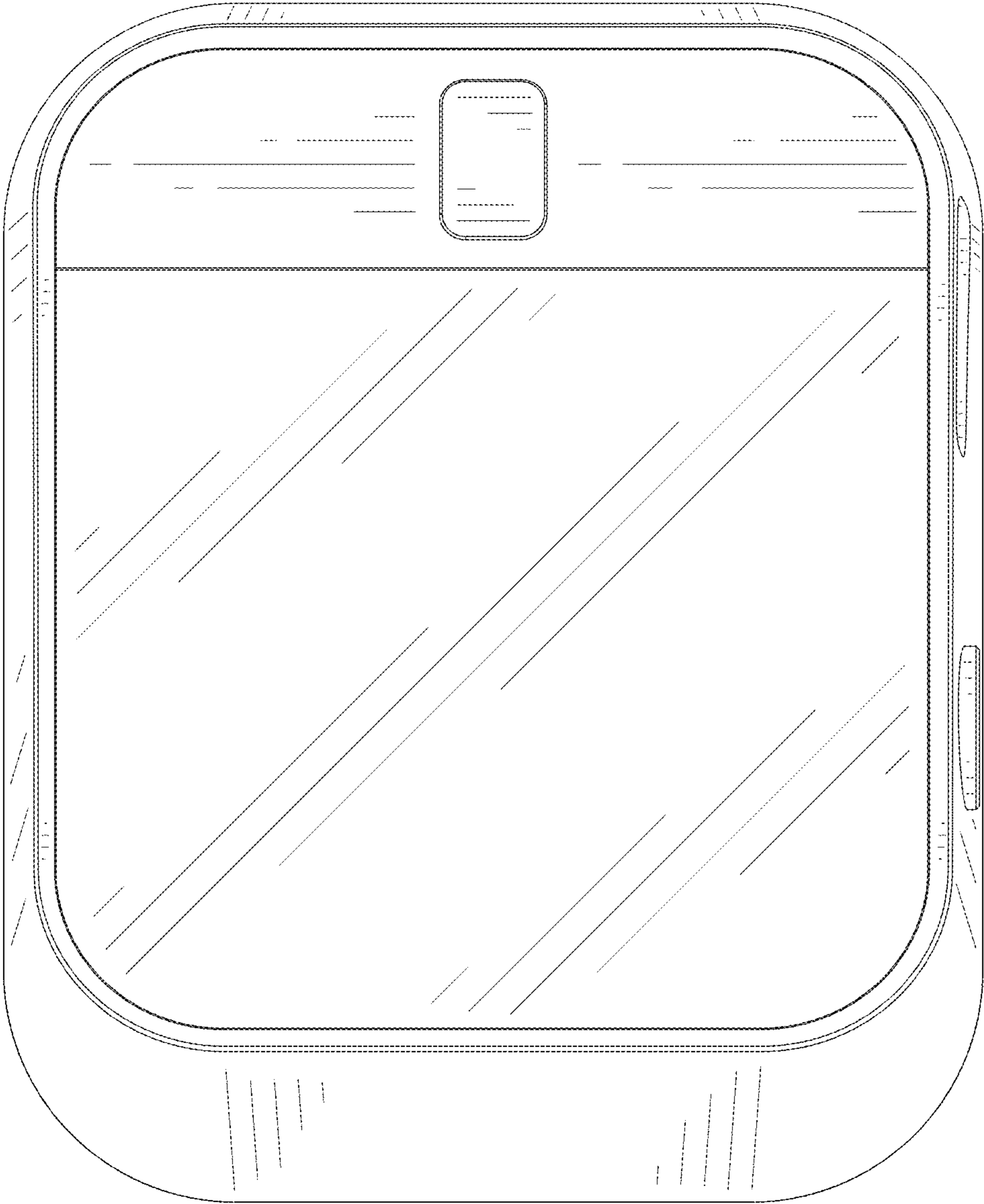


FIG. 7

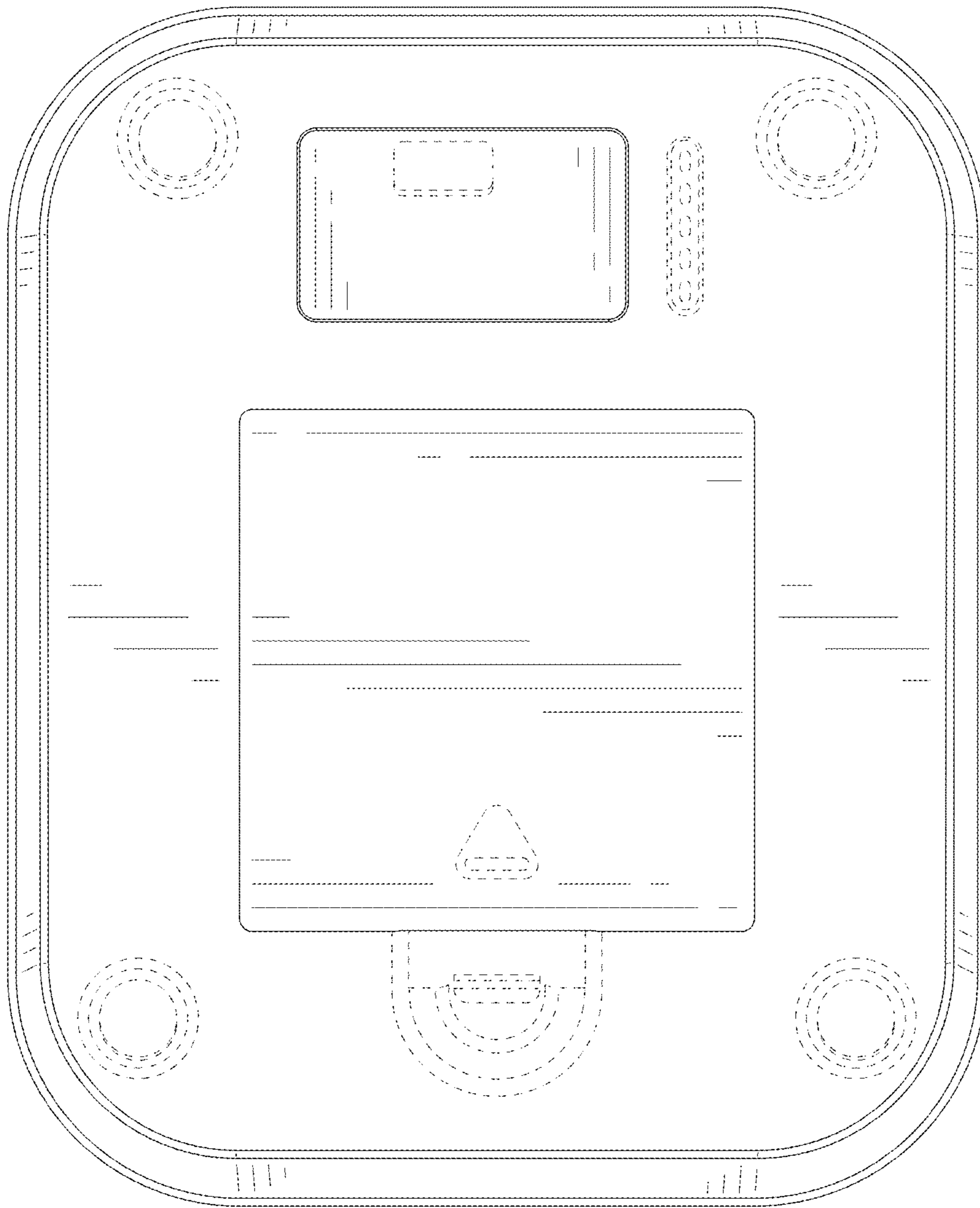


FIG. 8