



US00D922576S

(12) **United States Design Patent**
Schellin et al.

(10) **Patent No.:** **US D922,576 S**
(45) **Date of Patent:** **** Jun. 15, 2021**

(54) **APPLICATOR TRAY FOR A BUTTRESS
APPLICATOR FOR A SURGICAL STAPLER**

(71) Applicant: **Ethicon LLC**, Guaynabo, PR (US)

(72) Inventors: **Emily A. Schellin**, Cincinnati, OH (US); **John V. Hunt**, Cincinnati, OH (US); **Trevor J. Barton**, Cincinnati, OH (US); **Kevin O'Brien**, Cincinnati, OH (US); **Nicholas B. Van Stolk**, Cincinnati, OH (US); **Denise Griffiths**, Hamburg (DE); **Michael J. Vendely**, Lebanon, OH (US); **John P. Soehnlen**, Loveland, OH (US)

5,704,534 A	1/1998	Huitema et al.
5,792,135 A	8/1998	Madhani et al.
5,814,055 A	9/1998	Knodel et al.
5,817,084 A	10/1998	Jensen
5,878,193 A	3/1999	Wang et al.
6,231,565 B1	5/2001	Tovey et al.
6,364,888 B1	4/2002	Niemeyer et al.
6,783,524 B2	8/2004	Anderson et al.
6,978,921 B2	12/2005	Shelton, IV et al.
6,988,650 B2	1/2006	Schwemberger et al.
7,000,818 B2	2/2006	Shelton, IV et al.
7,134,587 B2	11/2006	Schwemberger et al.
7,143,923 B2	12/2006	Shelton, IV et al.
7,147,139 B2	12/2006	Schwemberger et al.
7,147,140 B2	12/2006	Wukusick et al.
7,204,404 B2	4/2007	Nguyen et al.
7,207,472 B2	4/2007	Wukusick et al.
7,303,108 B2	12/2007	Shelton, IV
7,367,485 B2	5/2008	Shelton, IV et al.
7,380,695 B2	6/2008	Doll et al.
7,380,696 B2	6/2008	Shelton, IV et al.
7,404,508 B2	7/2008	Smith et al.
7,434,715 B2	10/2008	Shelton, IV et al.
7,524,320 B2	4/2009	Tierney et al.
7,644,848 B2	1/2010	Swayze et al.
7,691,098 B2	4/2010	Wallace et al.
7,721,930 B2	5/2010	McKenna et al.
7,738,971 B2 *	6/2010	Swayze A61B 17/07207 700/1
7,806,891 B2	10/2010	Nowlin et al.
7,900,805 B2 *	3/2011	Shelton, IV A61B 50/30 227/175.1
8,141,762 B2	3/2012	Bedi et al.
8,210,411 B2	7/2012	Yates et al.
8,371,491 B2	2/2013	Huitema et al.
8,408,439 B2	4/2013	Huang et al.
8,453,914 B2	6/2013	Laurent et al.
8,479,969 B2	7/2013	Shelton, IV
8,573,461 B2	11/2013	Shelton, IV et al.
8,573,465 B2	11/2013	Shelton, IV
8,579,990 B2	11/2013	Priewe
8,602,288 B2	12/2013	Shelton, IV et al.
8,616,431 B2	12/2013	Timm et al.
8,631,935 B2 *	1/2014	Tomes A61B 50/33 206/370
8,783,541 B2	7/2014	Shelton, IV et al.
8,800,838 B2	8/2014	Shelton, IV
8,801,735 B2	8/2014	Shelton, IV et al.
8,814,025 B2	8/2014	Miller et al.
8,820,605 B2	9/2014	Shelton, IV
8,844,789 B2	9/2014	Shelton, IV et al.
8,899,464 B2	12/2014	Hueil et al.
8,992,060 B2	4/2015	Dassanayake et al.

(73) Assignee: **Cilag GmbH International**, Zug (CH)

(**) Term: **15 Years**

(21) Appl. No.: **29/675,172**

(22) Filed: **Dec. 28, 2018**

(51) **LOC (13) Cl.** **24-02**

(52) **U.S. Cl.**
USPC **D24/145; D9/432**

(58) **Field of Classification Search**
USPC D24/145; D9/414-415, 432-433, 420
CPC A61B 17/07292; A61B 17/07207; A61B
2017/0688; A61B 50/20; A61B 50/30;
A61B 50/33
See application file for complete search history.

(56) **References Cited**

U.S. PATENT DOCUMENTS

4,730,726 A * 3/1988 Holzwarth A61B 50/33
206/204

4,805,823 A 2/1989 Rothfuss

5,322,161 A * 6/1994 Shichman A61B 50/30
206/204

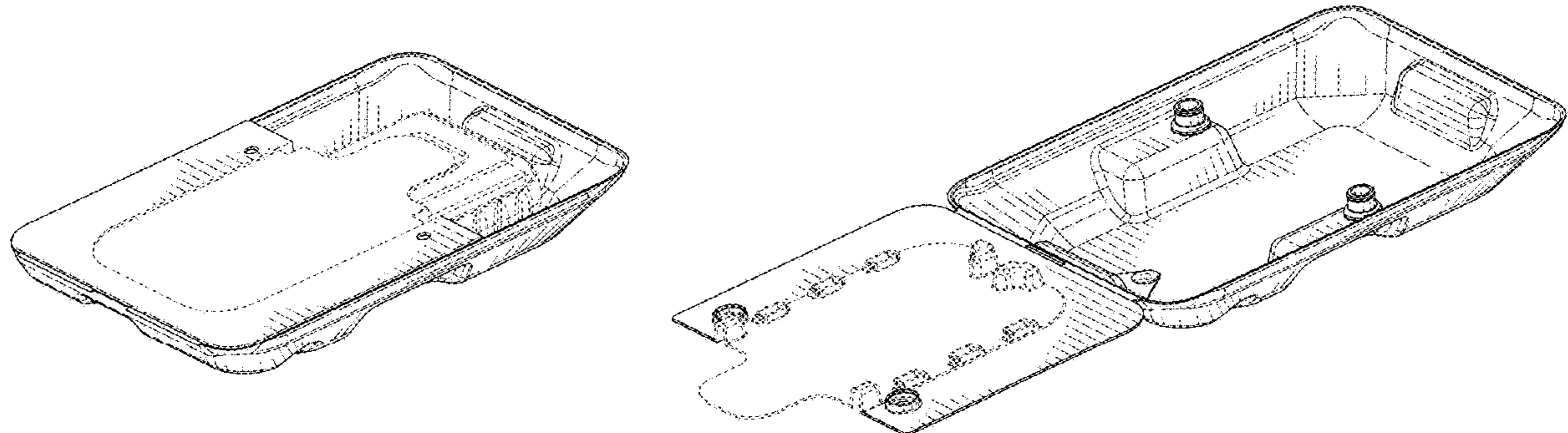
5,415,334 A 5/1995 Williamson, IV et al.

5,465,895 A 11/1995 Knodel et al.

5,597,107 A 1/1997 Knodel et al.

5,632,432 A 5/1997 Schulze et al.

5,673,840 A 10/1997 Schulze et al.



8,998,060	B2	4/2015	Bruewer et al.	
9,101,359	B2	8/2015	Smith et al.	
9,186,142	B2	11/2015	Fanelli et al.	
9,198,644	B2	12/2015	Balek et al.	
9,211,120	B2	12/2015	Scheib et al.	
9,301,759	B2	4/2016	Spivey et al.	
9,393,018	B2	7/2016	Wang et al.	
9,398,911	B2	7/2016	Auld et al.	
9,492,170	B2	11/2016	Bear et al.	
9,517,065	B2	12/2016	Simms et al.	
9,597,082	B2	3/2017	Stokes et al.	
9,622,746	B2	4/2017	Simms et al.	
9,717,497	B2	8/2017	Zerkle et al.	
9,795,379	B2	10/2017	Leimbach et al.	
9,808,248	B2	11/2017	Hoffman	
9,839,421	B2	12/2017	Zerkle et al.	
9,844,378	B2 *	12/2017	Casasanta	A61B 17/07292
9,848,871	B2	12/2017	Harris et al.	
9,867,615	B2	1/2018	Fanelli et al.	
9,913,642	B2	3/2018	Leimbach et al.	
9,936,954	B2	4/2018	Shelton, IV et al.	
9,999,408	B2	6/2018	Boudreaux et al.	
10,045,780	B2	8/2018	Adams et al.	
10,092,292	B2	10/2018	Boudreaux et al.	
D833,010	S	11/2018	Harris et al.	
10,123,798	B2	11/2018	Baxter, III et al.	
D836,198	S	12/2018	Harris et al.	
D836,199	S	12/2018	Schowalter et al.	
10,166,023	B2 *	1/2019	Vendely	A61B 50/30
10,299,877	B2 *	5/2019	Volk	A61B 50/33
10,349,939	B2	7/2019	Shelton, IV et al.	
10,349,940	B2 *	7/2019	Zeiner	A61B 17/07292
10,433,839	B2 *	10/2019	Scheib	A61B 17/07207
2005/0139636	A1	6/2005	Schwemberger et al.	
2005/0143759	A1	6/2005	Kelly	
2005/0145672	A1	7/2005	Schwemberger et al.	
2008/0169328	A1	7/2008	Shelton	
2012/0241493	A1	9/2012	Baxter, III et al.	
2013/0068816	A1	3/2013	Vasudevan et al.	
2013/0075447	A1	3/2013	Weisenburgh et al.	
2013/0206813	A1	8/2013	Nalagatla	
2014/0239037	A1	8/2014	Boudreaux et al.	
2015/0351758	A1	12/2015	Shelton, IV et al.	
2016/0089146	A1	3/2016	Harris et al.	
2016/0278774	A1	9/2016	Shelton, IV et al.	
2017/0027571	A1	2/2017	Nalagatla et al.	
2017/0049444	A1	2/2017	Schellin et al.	
2017/0055980	A1	3/2017	Vendely et al.	
2017/0055981	A1	3/2017	Vendely et al.	
2017/0055982	A1	3/2017	Zeiner et al.	
2017/0055986	A1	3/2017	Harris et al.	
2017/0056016	A1	3/2017	Barton et al.	
2017/0056017	A1	3/2017	Vendely et al.	
2017/0056018	A1	3/2017	Zeiner et al.	
2017/0086823	A1	3/2017	Leimbach et al.	
2017/0086837	A1	3/2017	Vendely et al.	
2017/0086842	A1	3/2017	Shelton, IV et al.	
2018/0235610	A1	8/2018	Harris et al.	
2018/0235611	A1	8/2018	Harris et al.	
2018/0235619	A1	8/2018	Harris et al.	
2019/0000481	A1	1/2019	Harris et al.	
2020/0297429	A1 *	9/2020	Montane	A61B 50/30

OTHER PUBLICATIONS

U.S. Appl. No. 16/234,727, entitled "Surgical Stapler with Tissue Engagement Features Around Tissue Containment Pin," filed Dec. 28, 2018.
 U.S. Appl. No. 16/234,740, entitled "Surgical Stapler with Sloped Staple Deck for Varying Tissue Compression," filed Dec. 28, 2018.
 U.S. Appl. No. 16/235,473, entitled "Adhesive Distribution on Buttress for Surgical Stapler," filed Dec. 28, 2018.
 U.S. Appl. No. 16/235,488, entitled "Configuration of Buttress for Surgical Stapler," filed Dec. 28, 2018.
 U.S. Appl. No. 16/235,503, entitled "Surgical Stapler Buttress with Tissue In-Growth Promotion," filed Dec. 28, 2018.
 U.S. Appl. No. 16/235,522, entitled "Applicator for Surgical Stapler Buttress," filed Dec. 28, 2018.

U.S. Appl. No. 16/235,541, entitled "Packaging for Surgical Stapler Buttress," filed Dec. 28, 2018.
 U.S. Appl. No. 16/235,617, entitled "Method of Applying Buttresses to Surgically Cut and Stapled Sites," filed Dec. 28, 2018.
 U.S. Appl. No. 16/235,630, entitled "Curved Tip Surgical Buttress Applicator with Opening Feature for Curved Tip Alignment," filed Dec. 28, 2018.
 U.S. Appl. No. 16/235,670, entitled "Curved Tip Surgical Buttress Assembly Applicator with Proximal Alignment Features," filed Dec. 28, 2018.
 U.S. Appl. No. 16/235,681, entitled "Curved Tip Surgical Buttress Assembly Applicator with Compression Layer Pocket Features," filed Dec. 28, 2018.
 Design U.S. Appl. No. 29/675,045, entitled "Surgical Stapler Deck with Tissue Engagement Cleat Features," filed Dec. 28, 2018.
 Design U.S. Appl. No. 29/675,047, entitled "Surgical Stapler Deck with Tissue Engagement Recess Features," filed Dec. 28, 2018.
 Design U.S. Appl. No. 29/675,168, entitled "Applicator for a Surgical Stapler Buttress," filed Dec. 28, 2018.
 Design U.S. Appl. No. 29/675,170, entitled "Buttress for Surgical Stapler," filed Dec. 28, 2018.
 Design U.S. Appl. No. 29/675,197, entitled "Applicator for a Stapler Buttress," filed Dec. 28, 2018.
 Design U.S. Appl. No. 29/675,199, entitled "Buttress Assembly for a Surgical Stapler," filed Dec. 28, 2018.
 U.S. Appl. No. 62,209,041, entitled "Method and Apparatus for Applying a Buttress to End Effector of a Surgical Stapler," filed Aug. 24, 2015.

* cited by examiner

Primary Examiner — Wan Laymon

(74) Attorney, Agent, or Firm — Frost Brown Todd LLC

(57) CLAIM

The ornamental design for an applicator tray for a buttress applicator for a surgical stapler, as shown and described.

DESCRIPTION

FIG. 1 is a top perspective view of a first embodiment of an applicator tray for a buttress applicator for a surgical stapler, showing our new design;
 FIG. 2 is a top perspective view of the applicator tray of FIG. 1, shown without the desiccant paperboard and without the buttress applicator;
 FIG. 3 is a top plan view of the applicator tray of FIG. 2;
 FIG. 4 is a bottom plan view of the applicator tray of FIG. 2;
 FIG. 5 is a side elevational view of the applicator tray of FIG. 2, the opposite side elevational view being a mirror image thereof;
 FIG. 6 is a rear elevational view of the applicator tray of FIG. 2;
 FIG. 7 is a front elevational view of the applicator tray of FIG. 2;
 FIG. 8 is a cross sectional view of the applicator tray of FIG. 2, taken along line 8-8 of FIG. 3;
 FIG. 9 is a cross sectional view of the applicator tray of FIG. 2, taken along line 9-9 of FIG. 3;
 FIG. 10 is a top perspective view of the applicator tray of FIG. 1, shown with the flap rotated to an open position;
 FIG. 11 is a top perspective view of the applicator tray of FIG. 2, shown with the flap rotated to an open position;
 FIG. 12 is a top plan view of the applicator tray of FIG. 11;
 FIG. 13 is a bottom plan view of the applicator tray of FIG. 11;

FIG. 14 is a side elevational view of the applicator tray of FIG. 11, the opposite side elevational view being a mirror image thereof;

FIG. 15 is a rear elevational view of the applicator tray of FIG. 11;

FIG. 16 is a front elevational view of the applicator tray of FIG. 11;

FIG. 17 is a cross sectional view of the applicator tray of FIG. 11, taken along line 17-17 of FIG. 12;

FIG. 18 is a cross sectional view of the applicator tray of FIG. 11, taken along line 18-18 of FIG. 12;

FIG. 19 is a top perspective view of a second embodiment of an applicator tray for a buttress applicator for a surgical stapler, showing our new design;

FIG. 20 is a top perspective view of the applicator tray of FIG. 19, shown without the desiccant paperboard and without the buttress applicator;

FIG. 21 is a top plan view of the applicator tray of FIG. 20;

FIG. 22 is a bottom plan view of the applicator tray of FIG. 20;

FIG. 23 is a side elevational view of the applicator tray of FIG. 20, the opposite side elevational view being a mirror image thereof;

FIG. 24 is a rear elevational view of the applicator tray of FIG. 20;

FIG. 25 is a front elevational view of the applicator tray of FIG. 20;

FIG. 26 is a cross sectional view of the applicator tray of FIG. 20, taken along line 26-26 of FIG. 21;

FIG. 27 is a cross sectional view of the applicator tray of FIG. 20, taken along line 27-27 of FIG. 21;

FIG. 28 is a top perspective view of the applicator tray of FIG. 19, shown with the flap rotated to an open position;

FIG. 29 is a top perspective view of the applicator tray of FIG. 20, shown with the flap rotated to an open position;

FIG. 30 is a top plan view of the applicator tray of FIG. 29; FIG. 31 is a bottom plan view of the applicator tray of FIG. 29;

FIG. 32 is a side elevational view of the applicator tray of FIG. 29, the opposite side elevational view being a mirror image thereof;

FIG. 33 is a rear elevational view of the applicator tray of FIG. 29;

FIG. 34 is a front elevational view of the applicator tray of FIG. 29;

FIG. 35 is a cross sectional view of the applicator tray of FIG. 29, taken along line 35-35 of FIG. 30; and,

FIG. 36 is a cross sectional view of the applicator tray of FIG. 29, taken along line 36-36 of FIG. 30.

The evenly-spaced broken lines in the drawings are included for purpose of illustrating portions of the applicator tray for a buttress applicator for a surgical stapler that form no part of the claimed design.

1 Claim, 16 Drawing Sheets

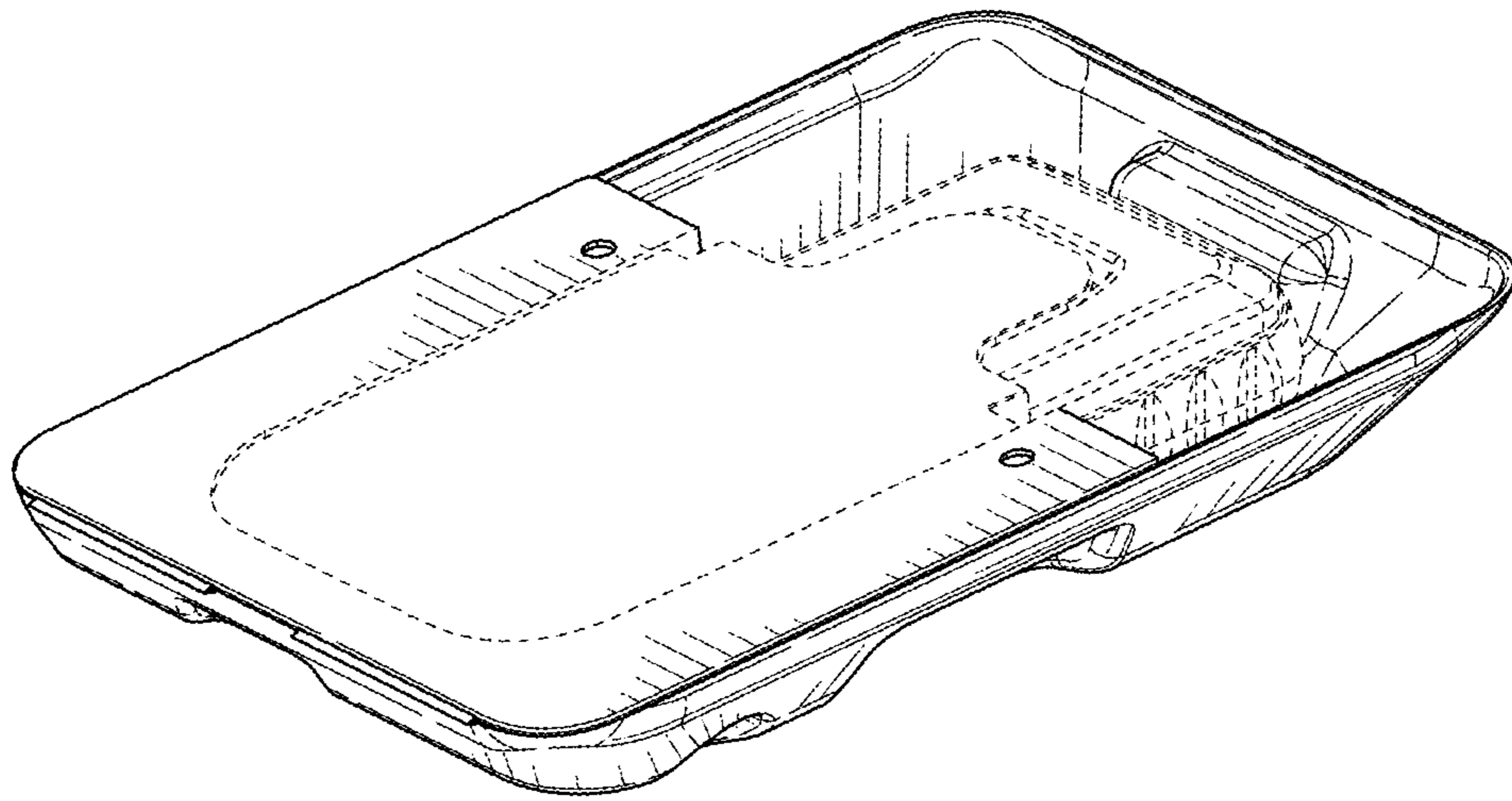


FIG. 1

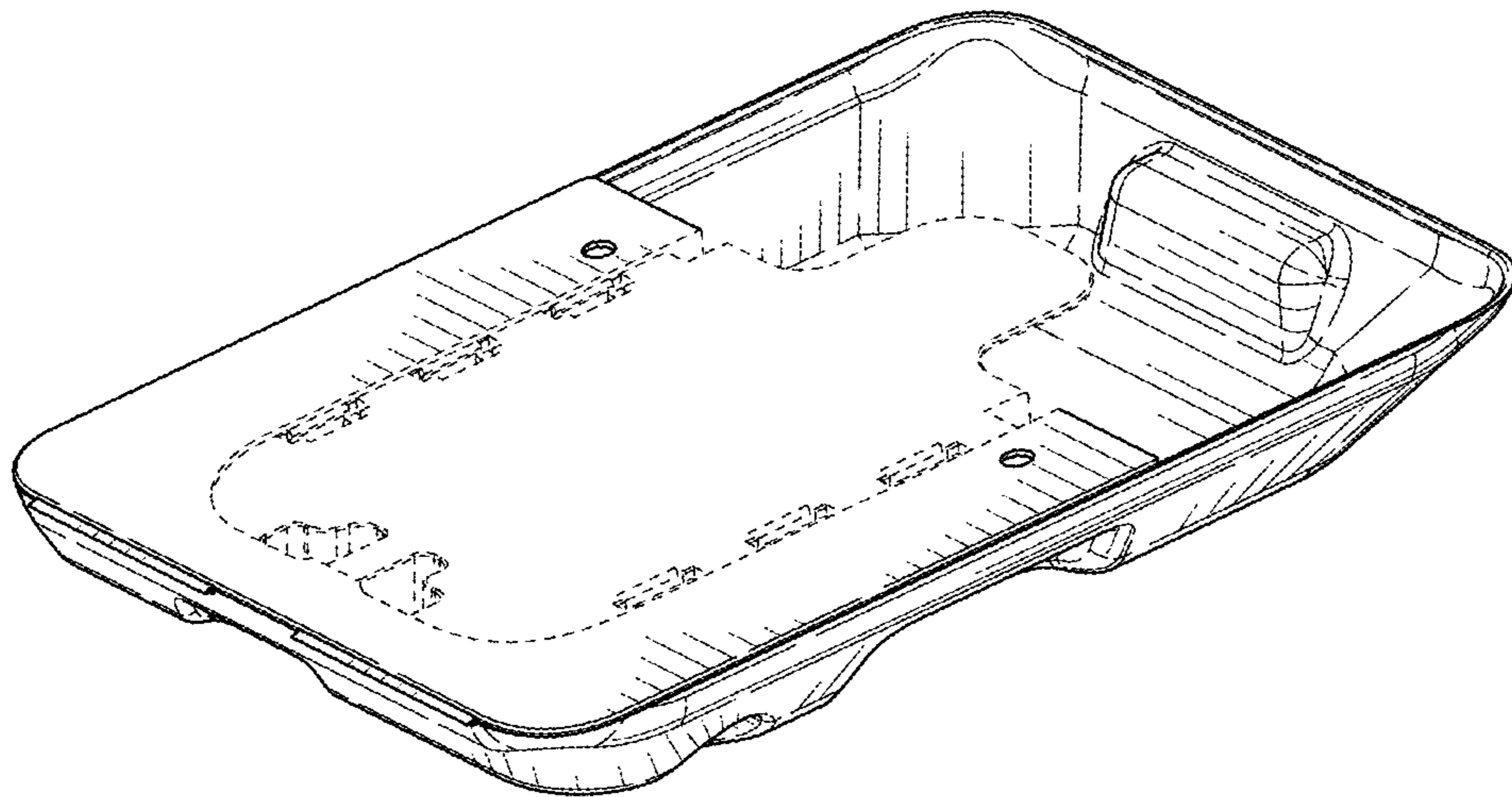


FIG. 2

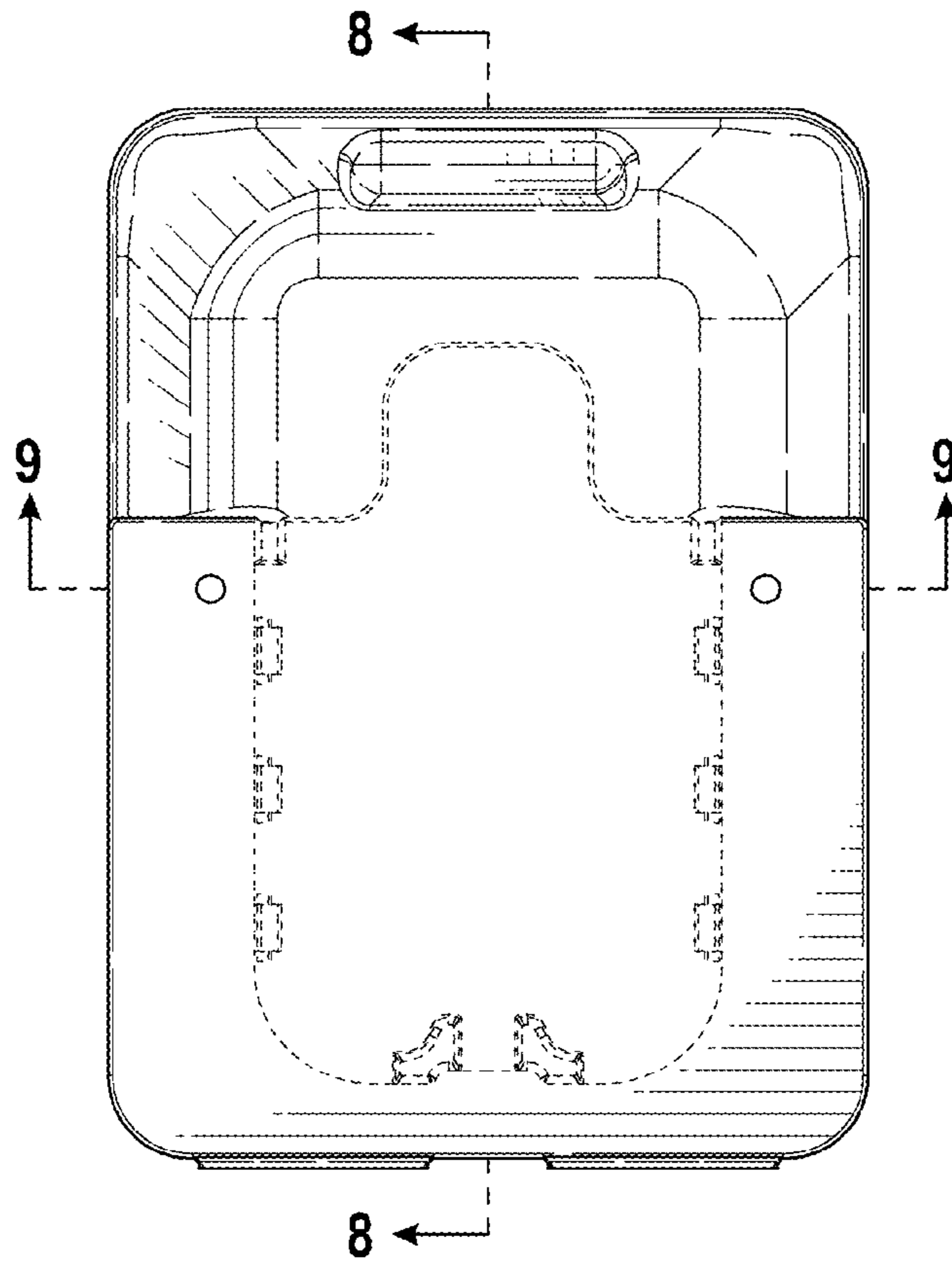


FIG. 3

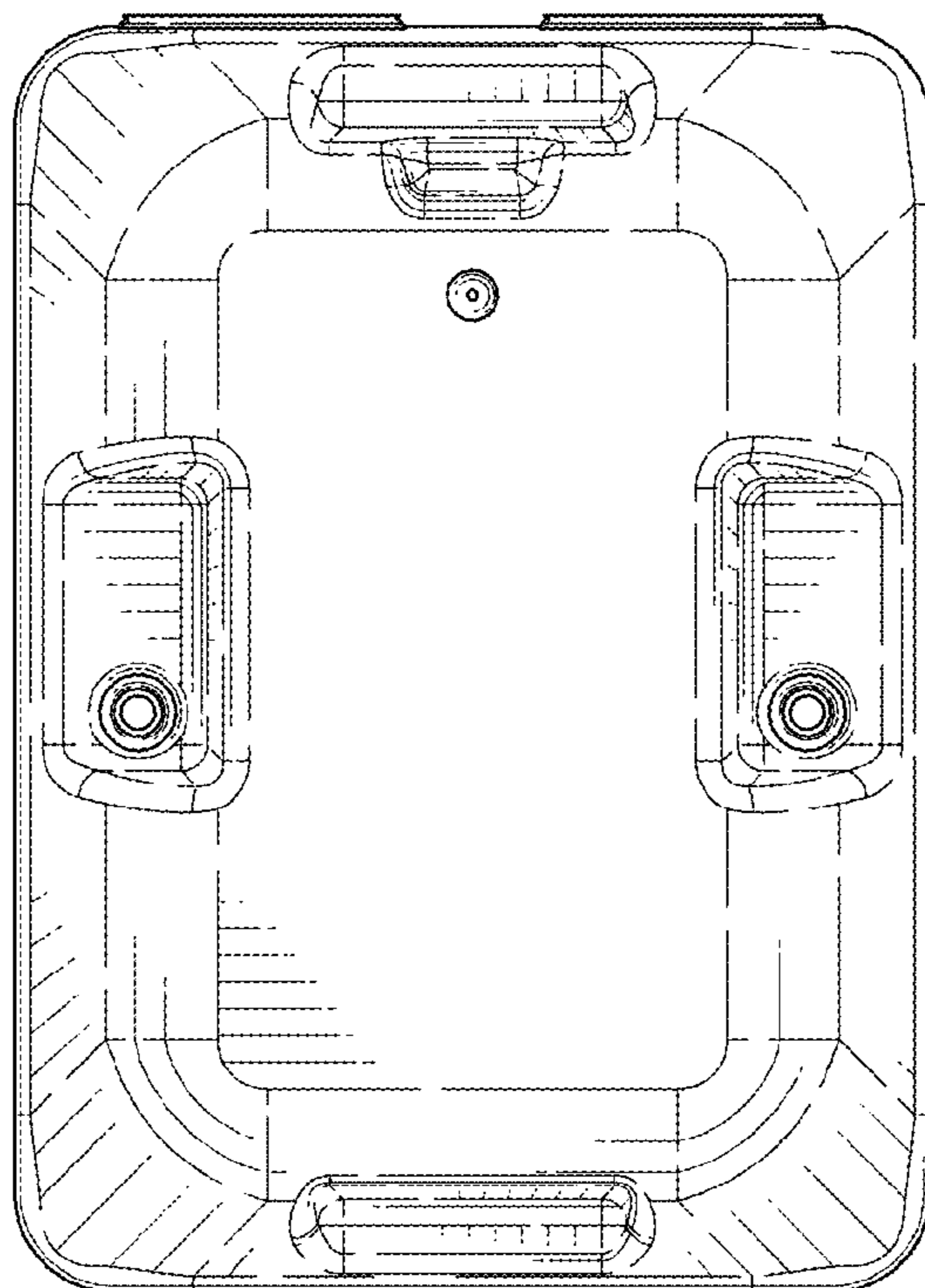


FIG. 4

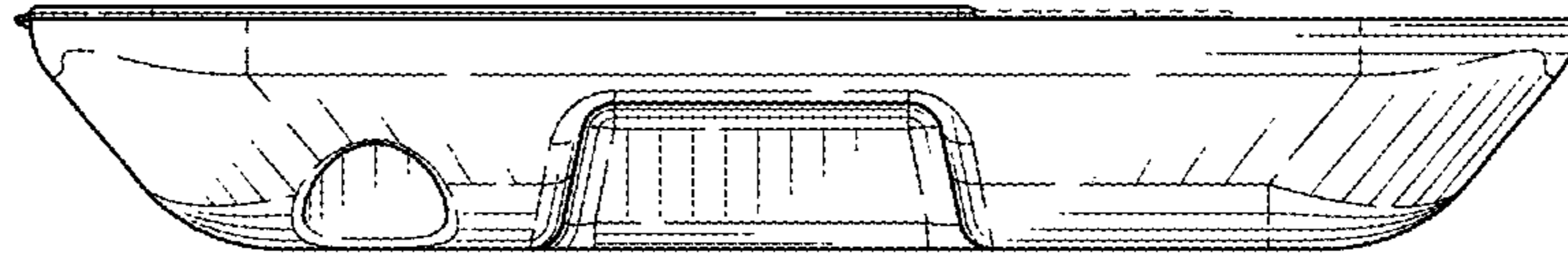


FIG. 5

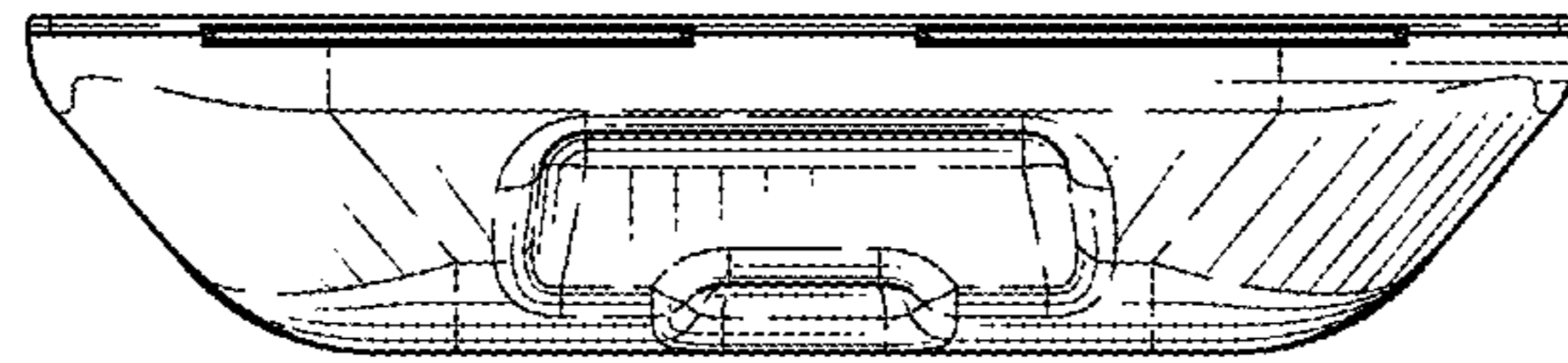


FIG. 6

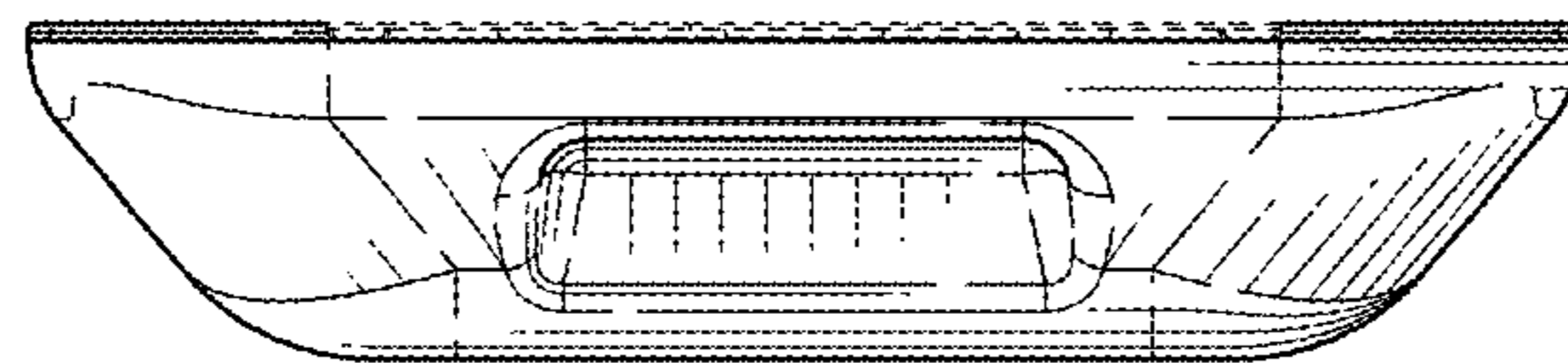


FIG. 7

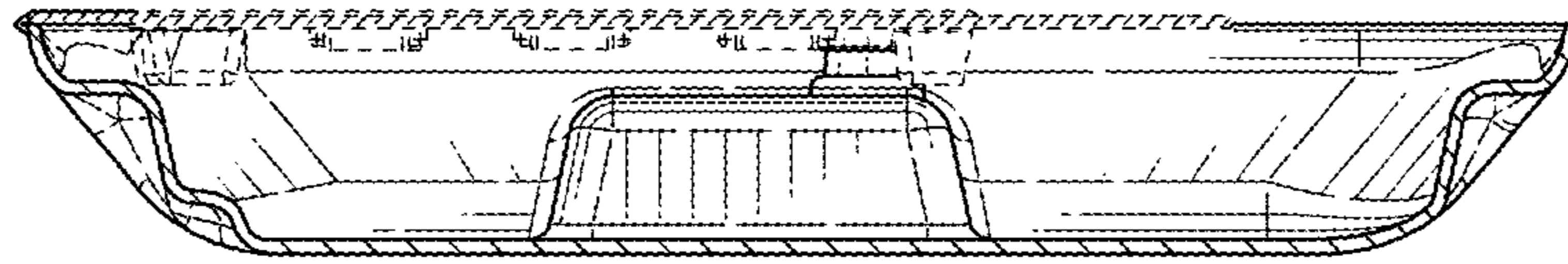


FIG. 8

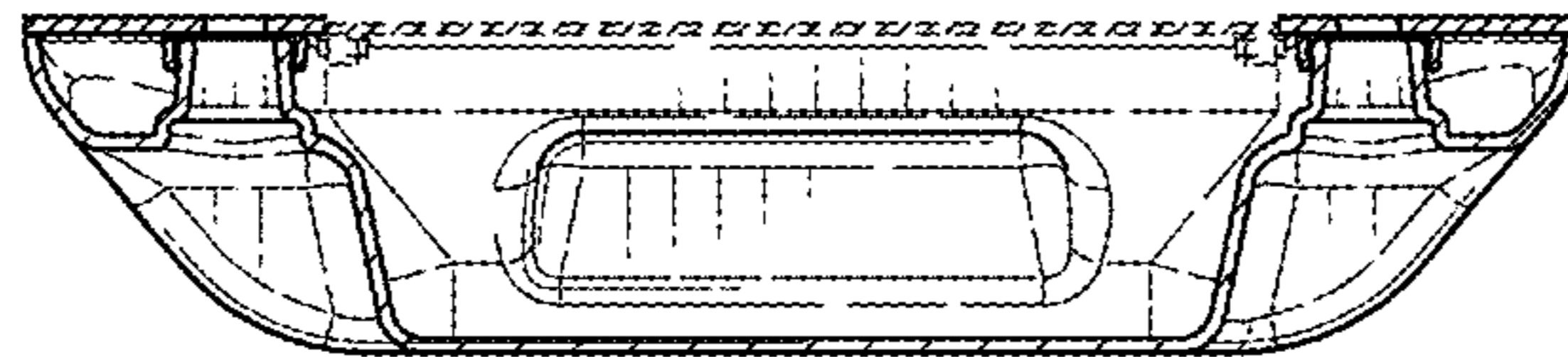
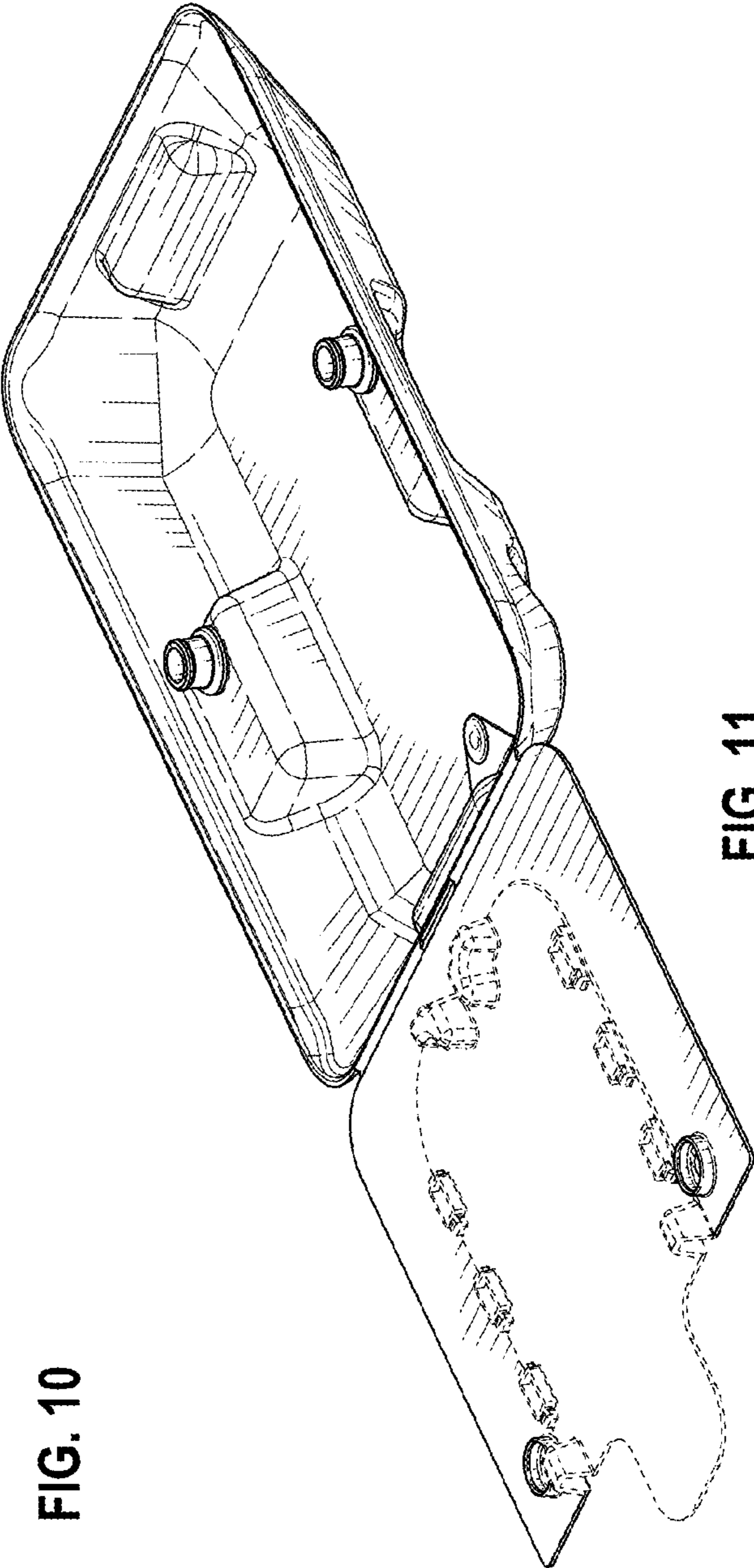
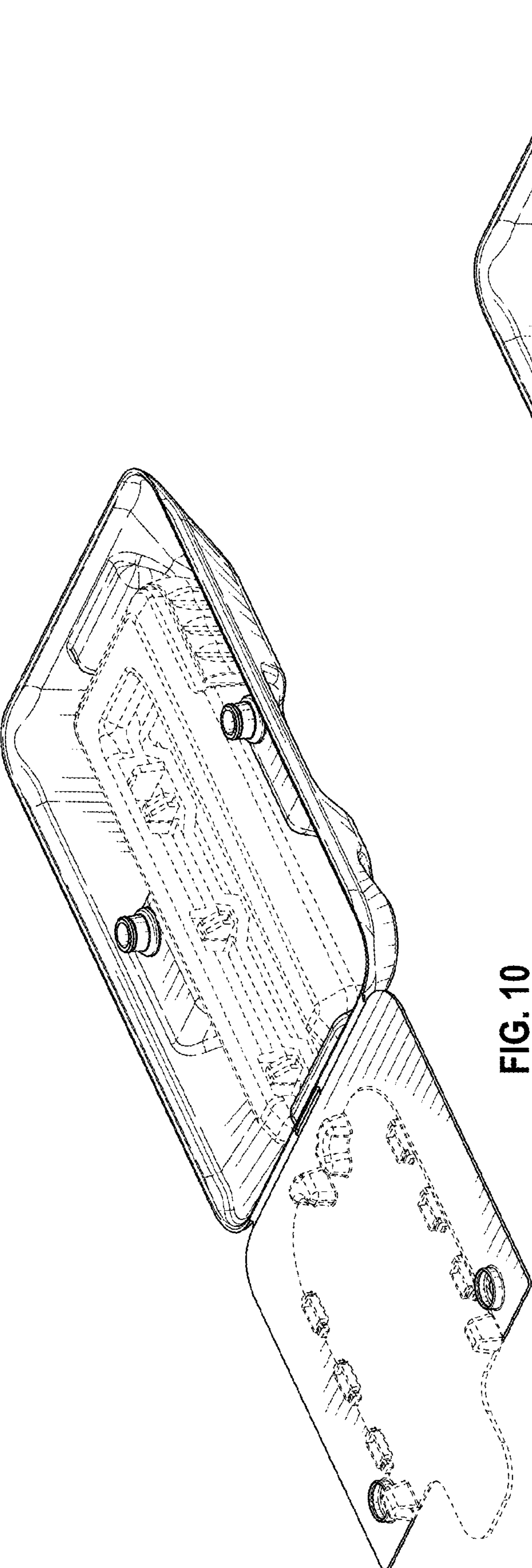


FIG. 9



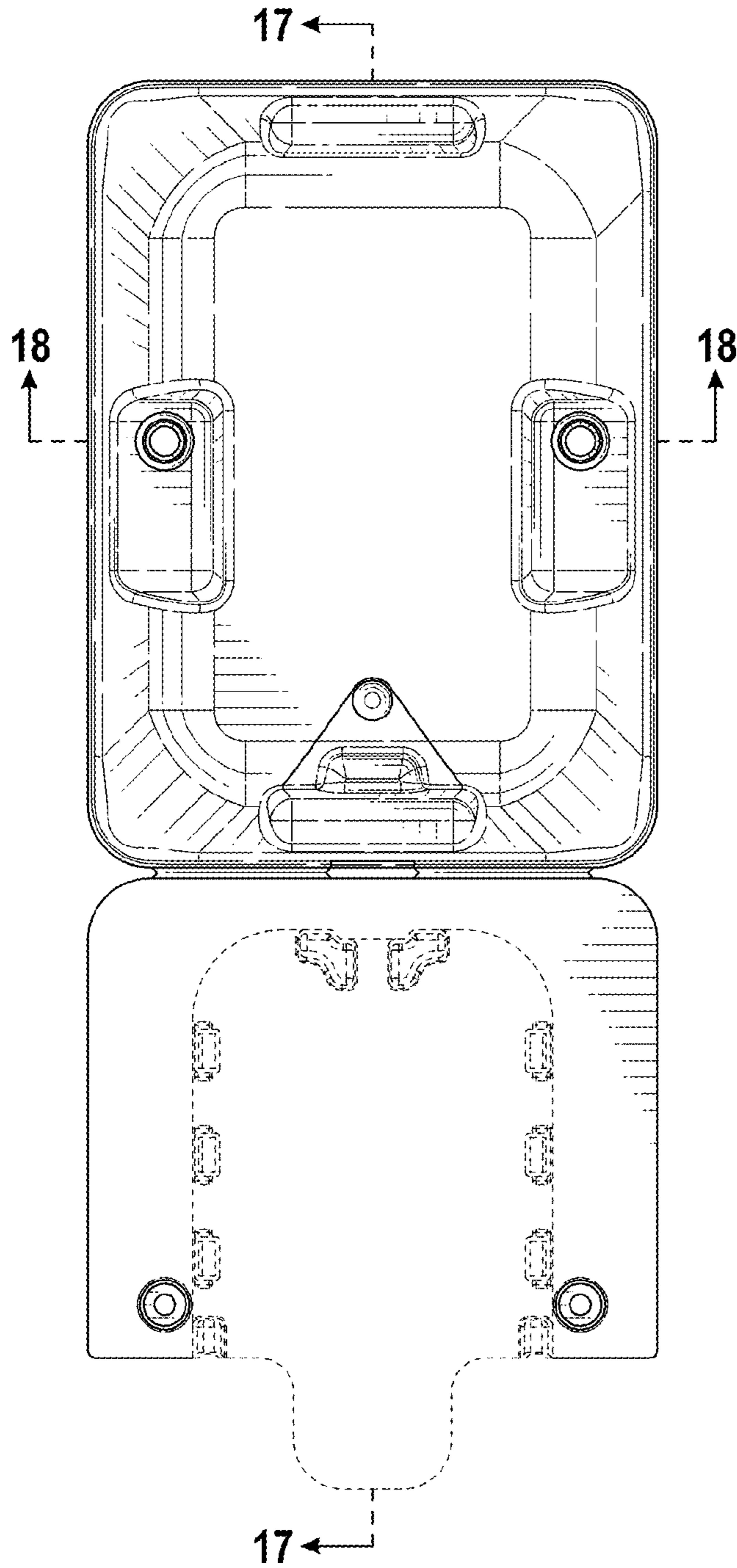


FIG. 12

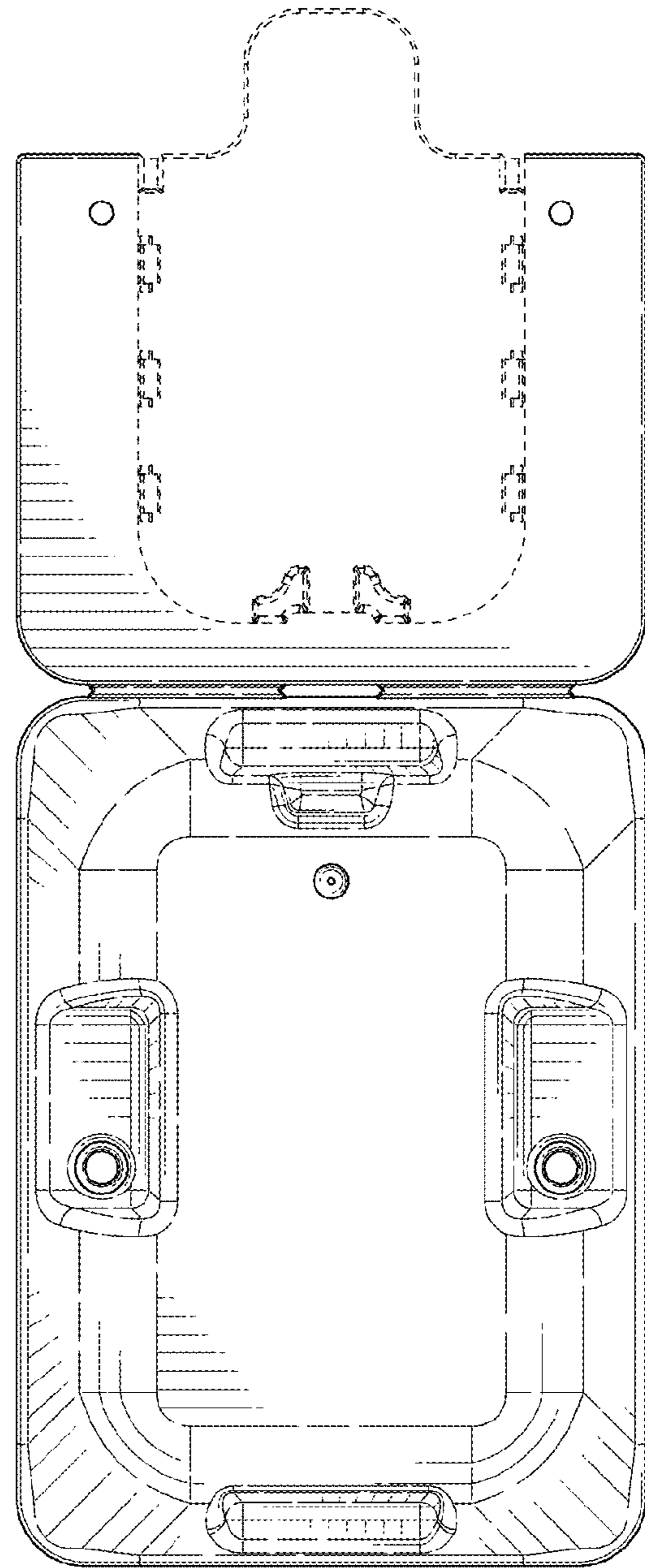


FIG. 13

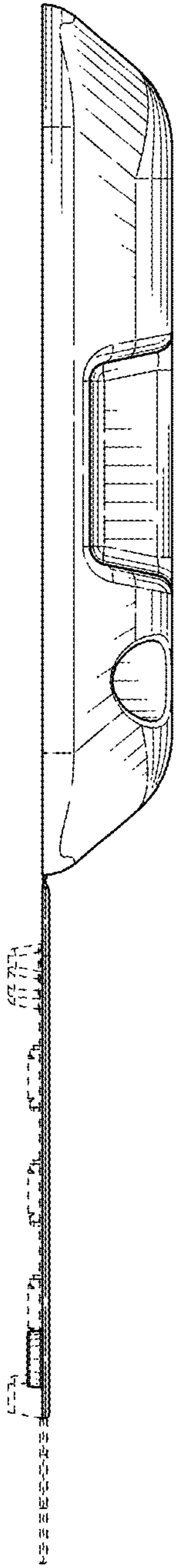


FIG. 14

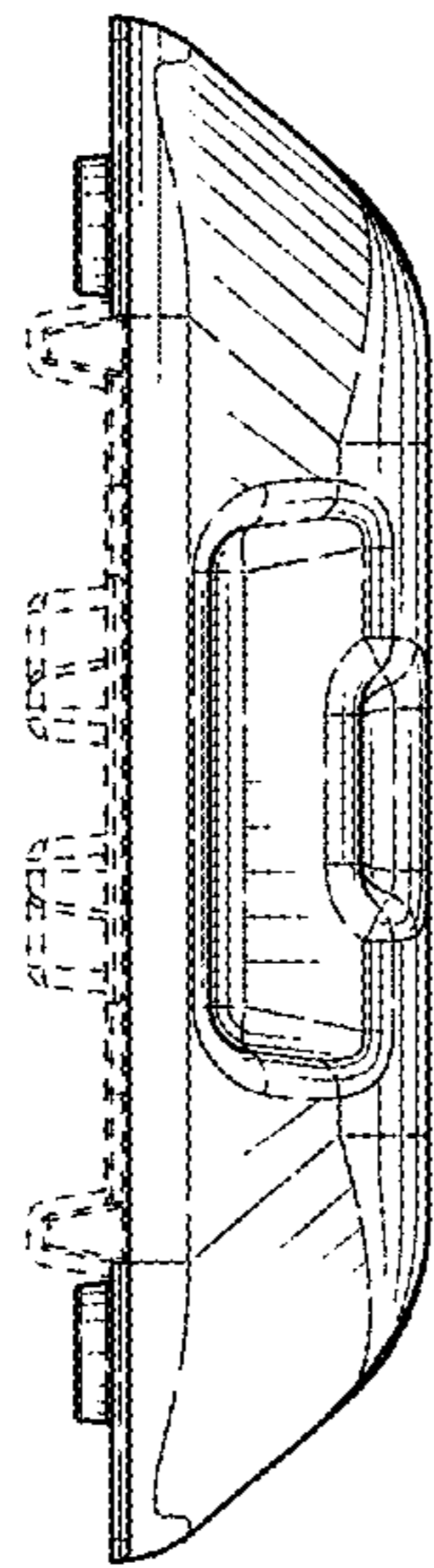


FIG. 15

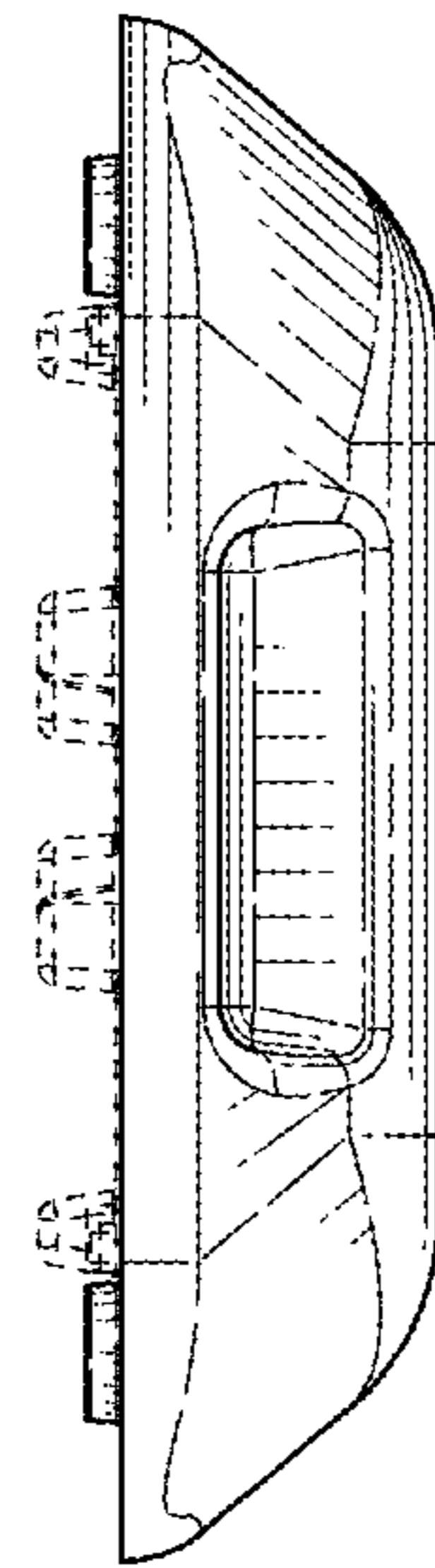


FIG. 16

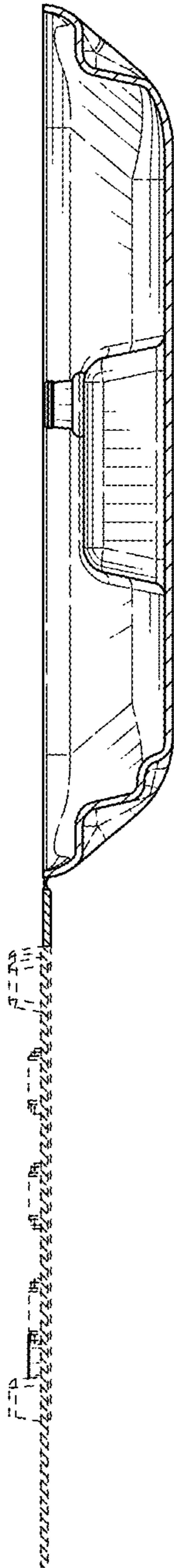


FIG. 17

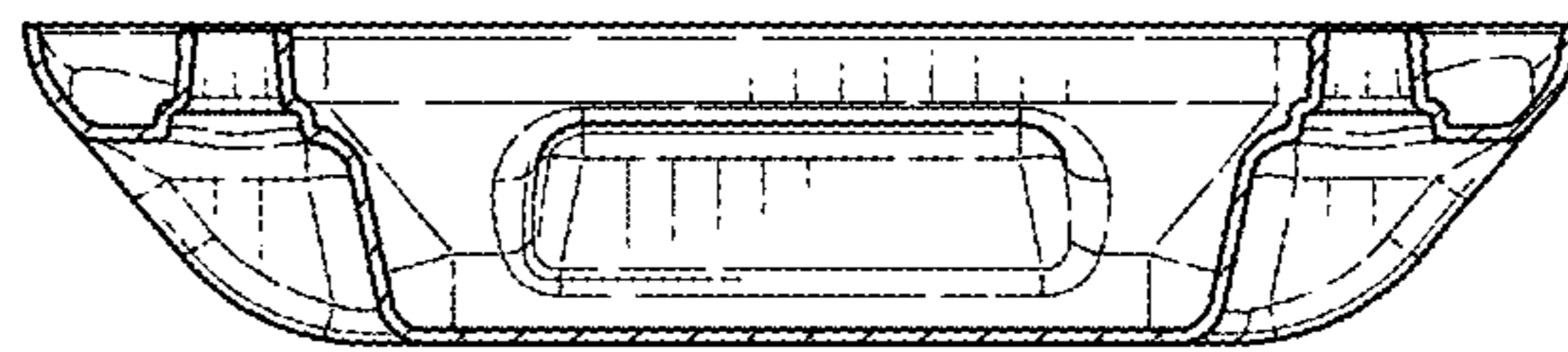


FIG. 18

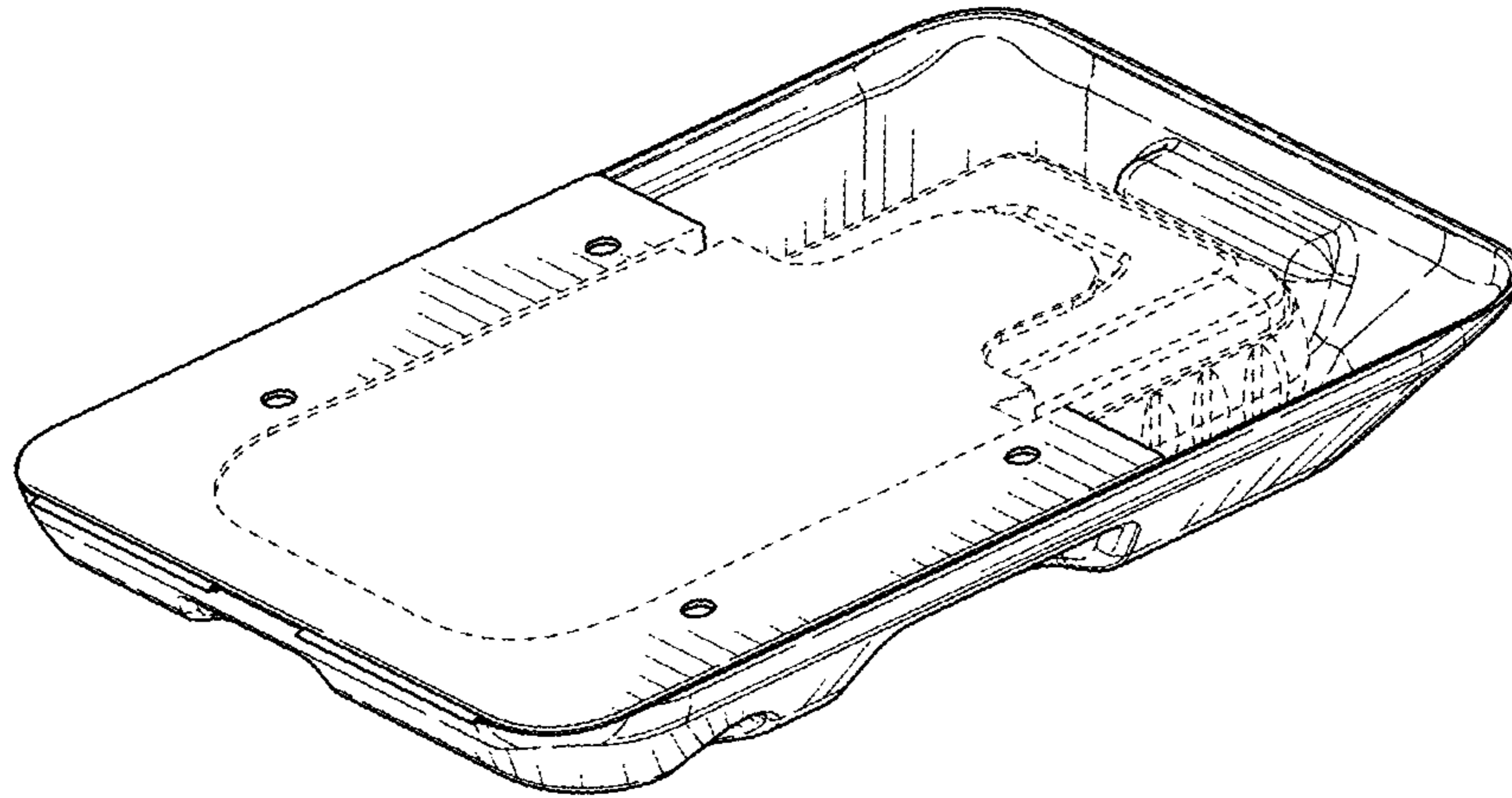


FIG. 19

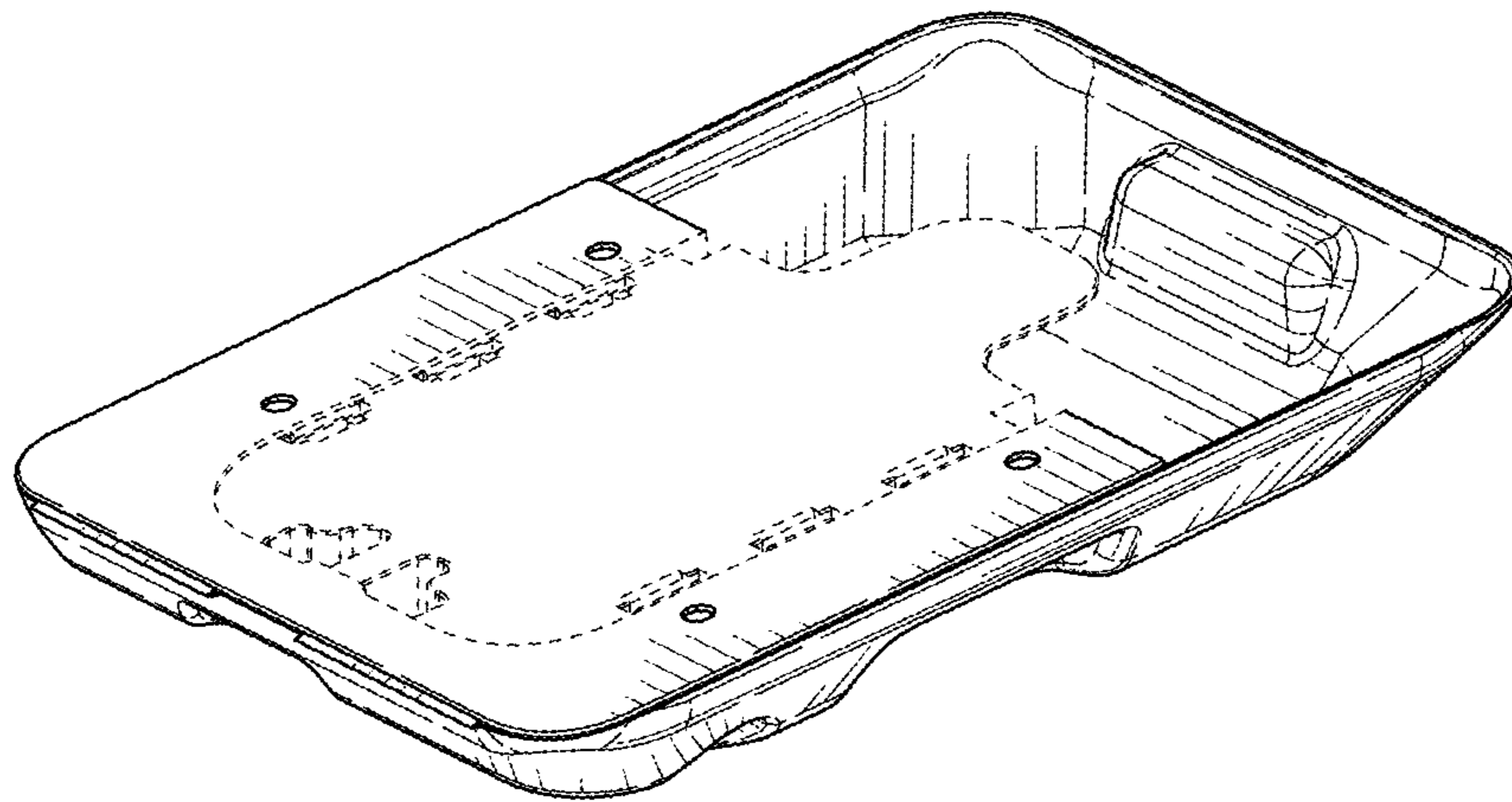


FIG. 20

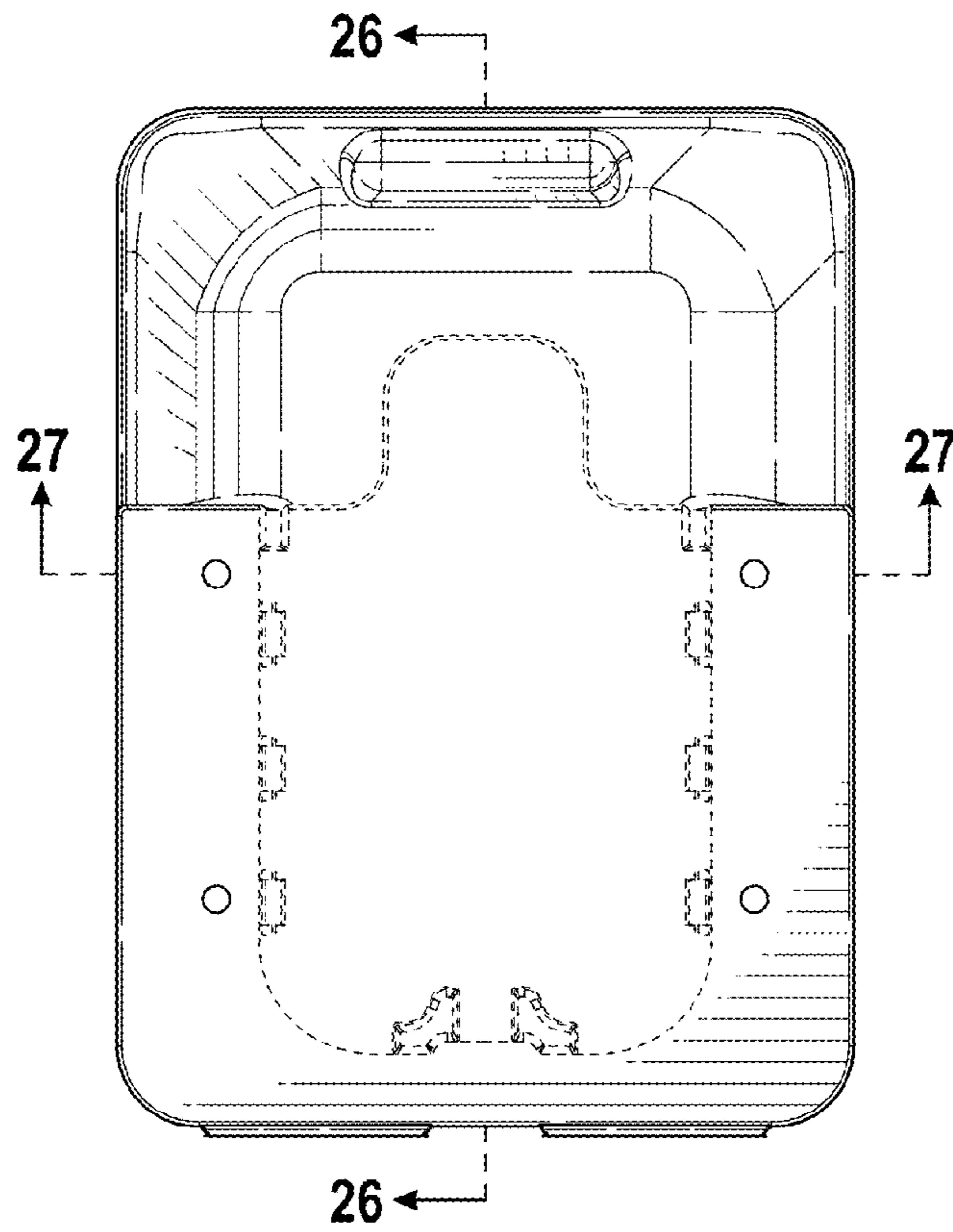


FIG. 21

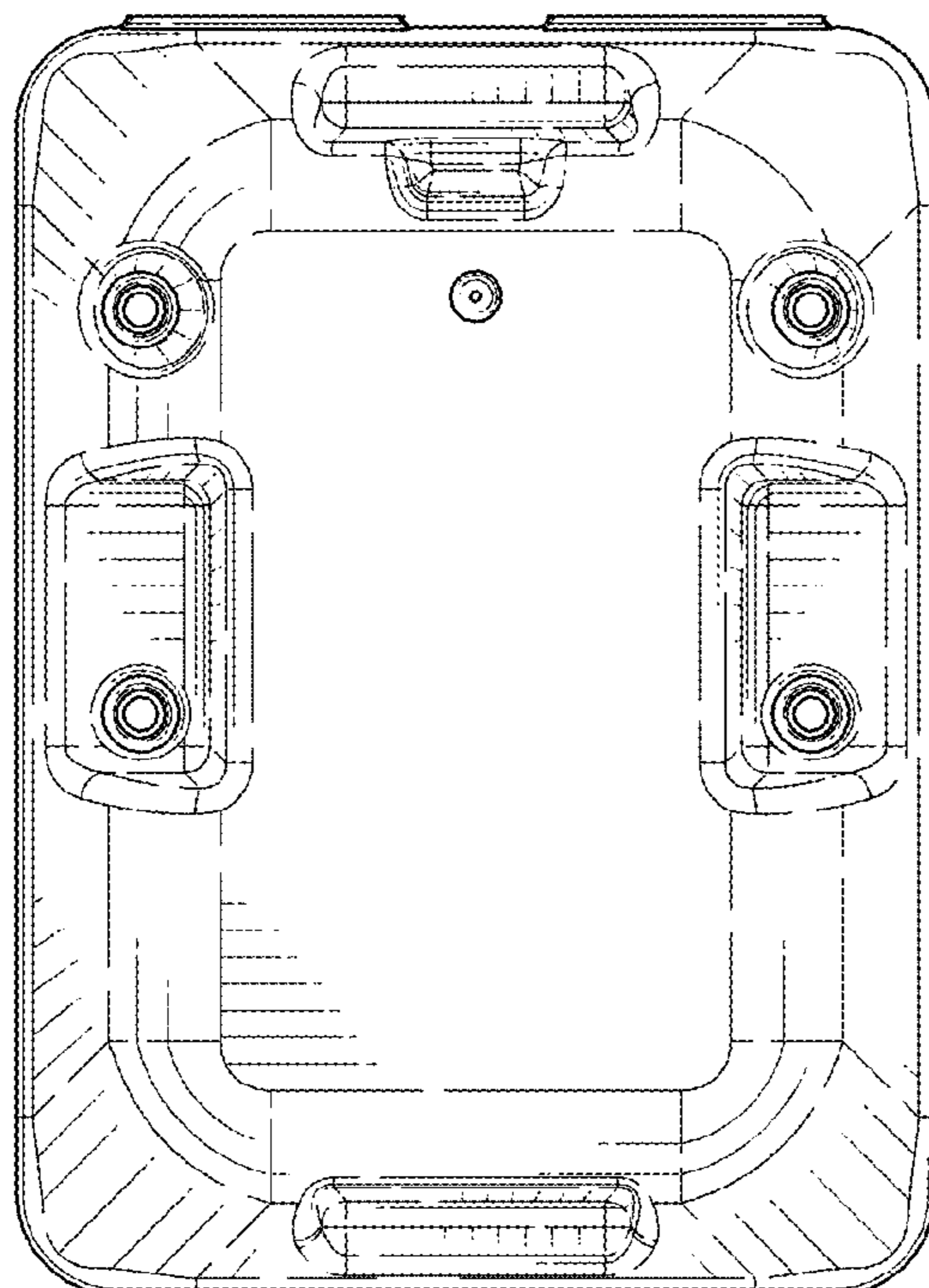


FIG. 22

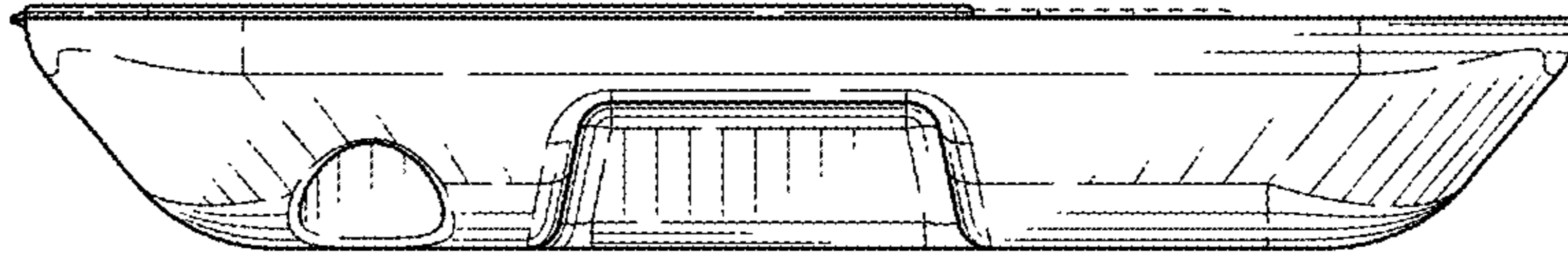


FIG. 23

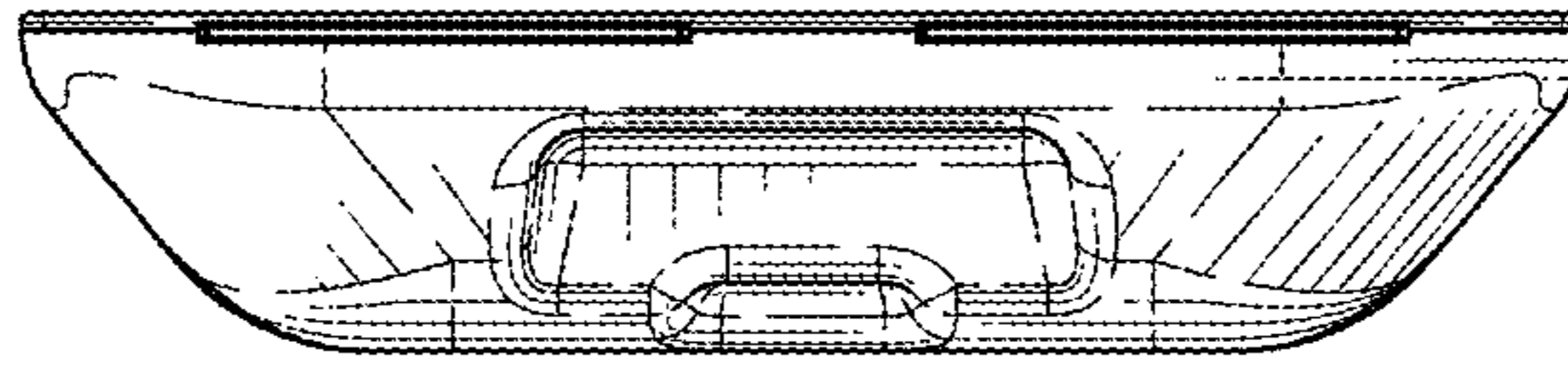


FIG. 24



FIG. 25

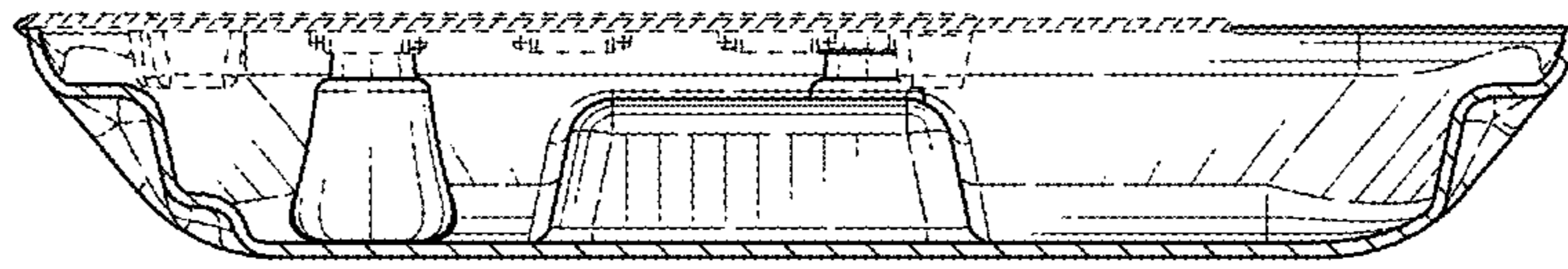


FIG. 26

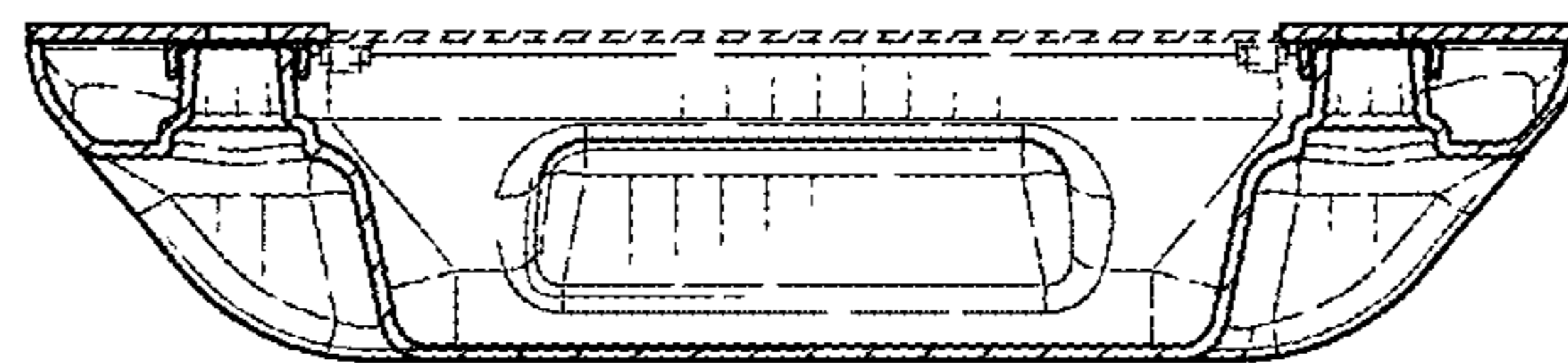


FIG. 27

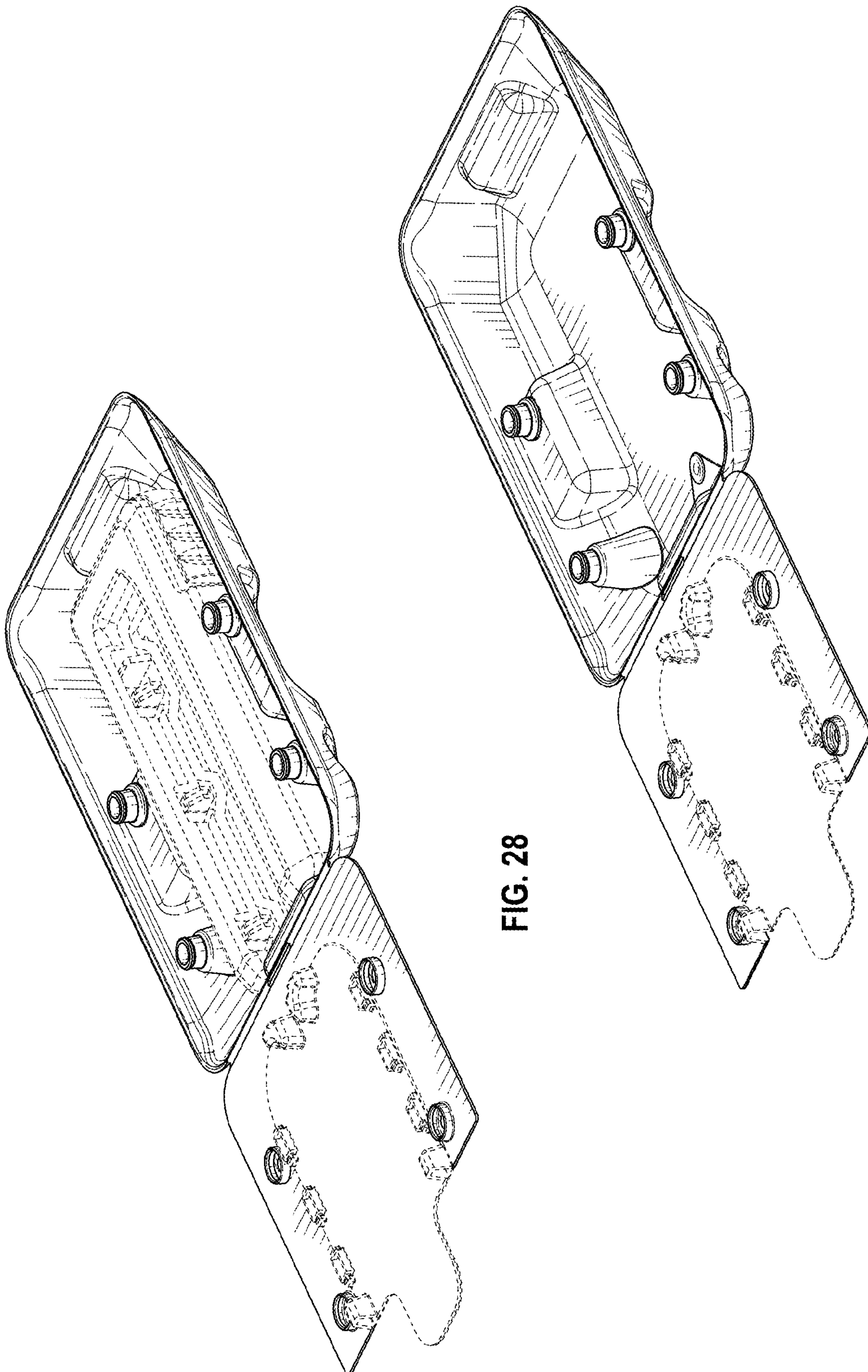


FIG. 28

FIG. 29

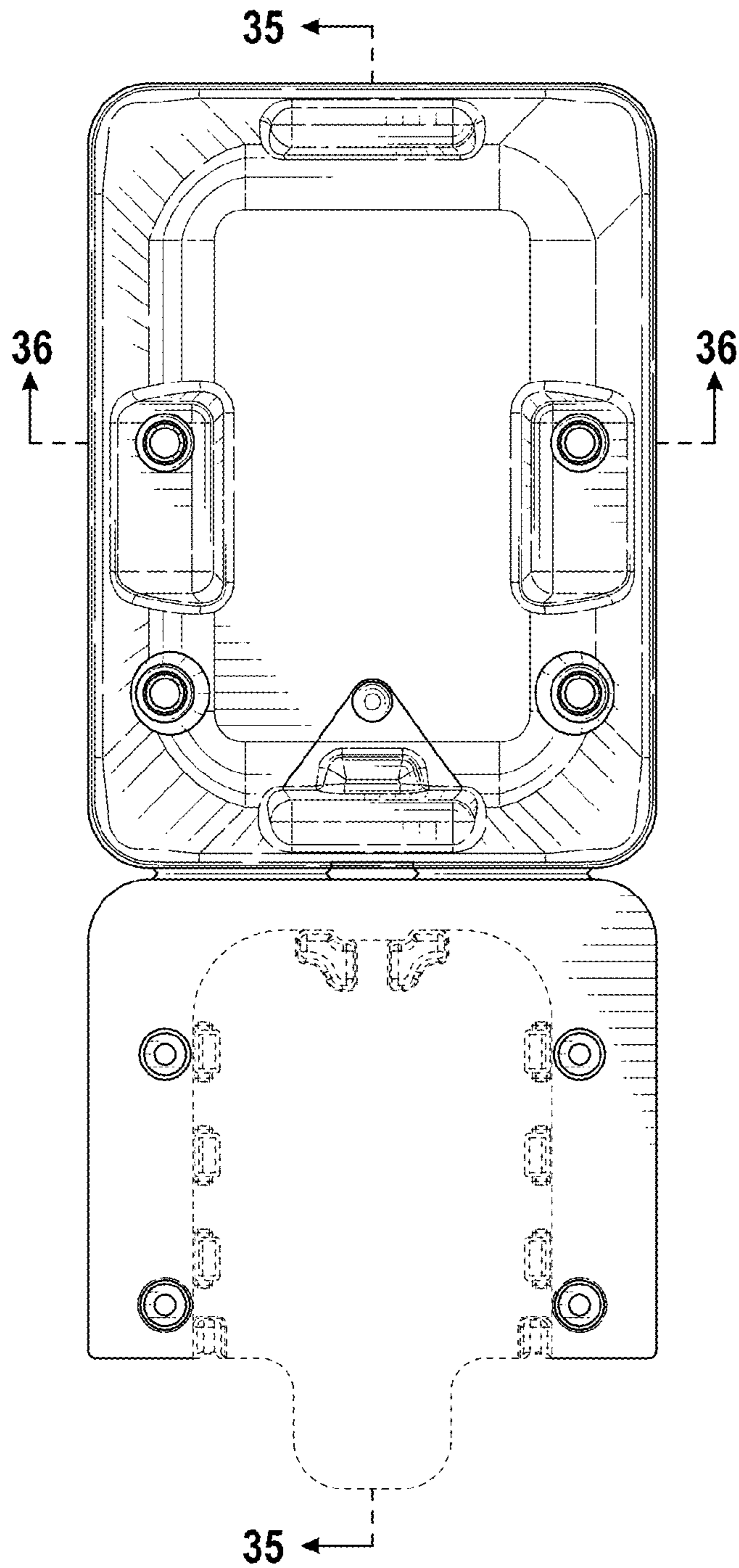


FIG. 30

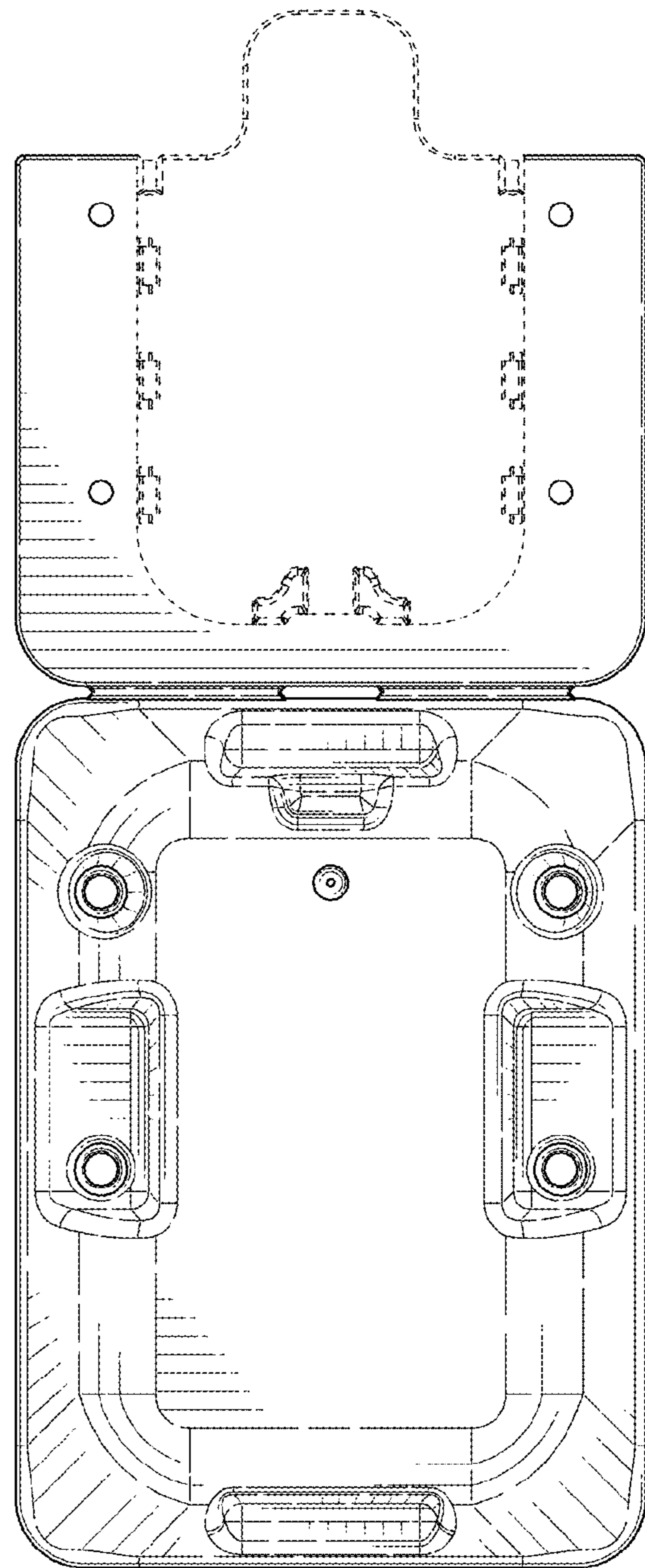


FIG. 31

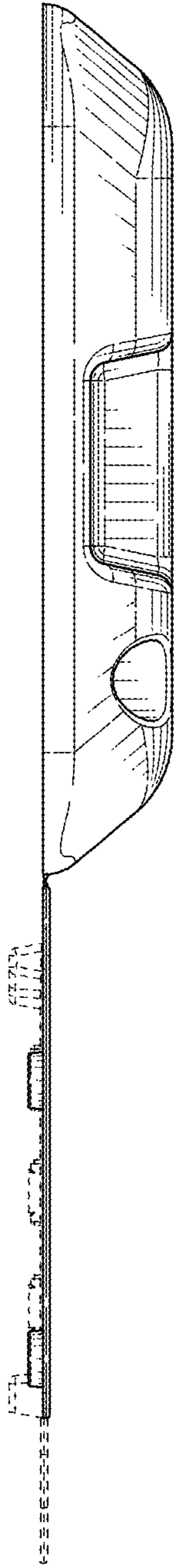


FIG. 32

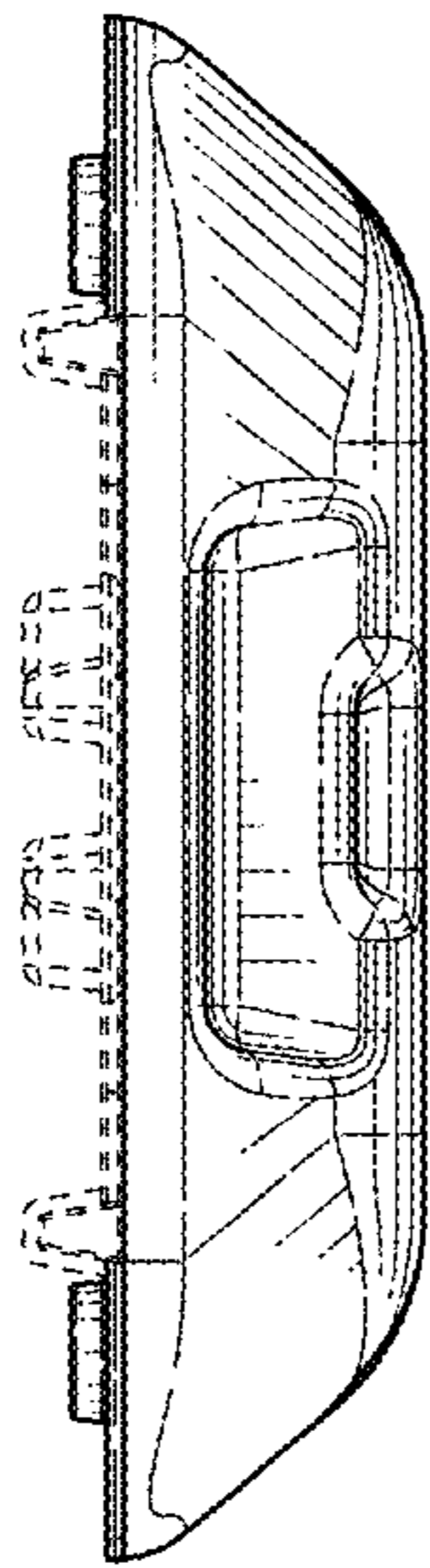


FIG. 33

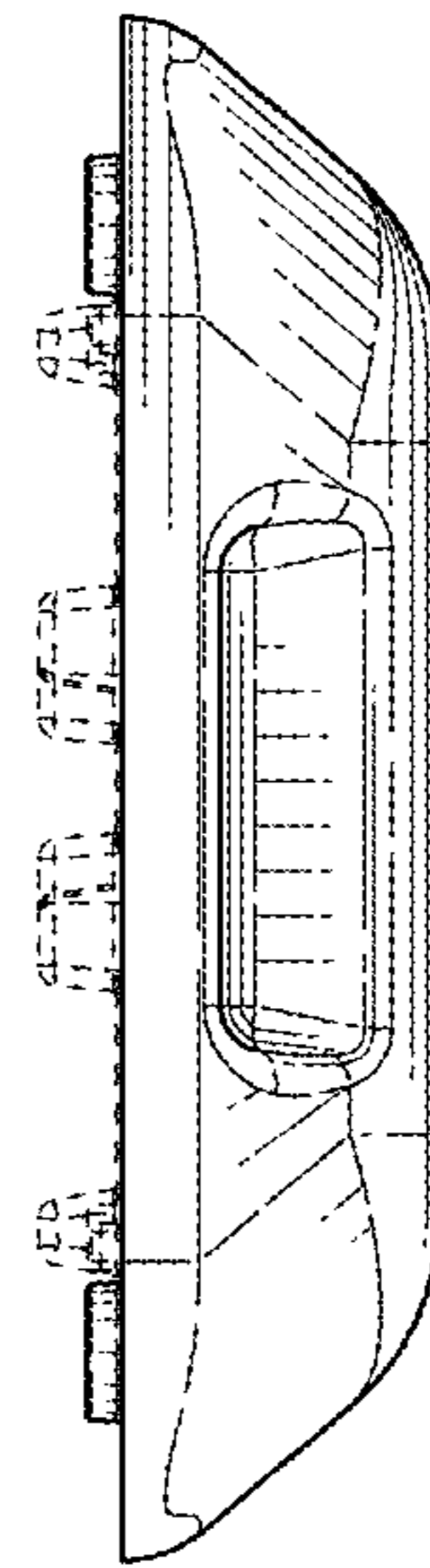


FIG. 34

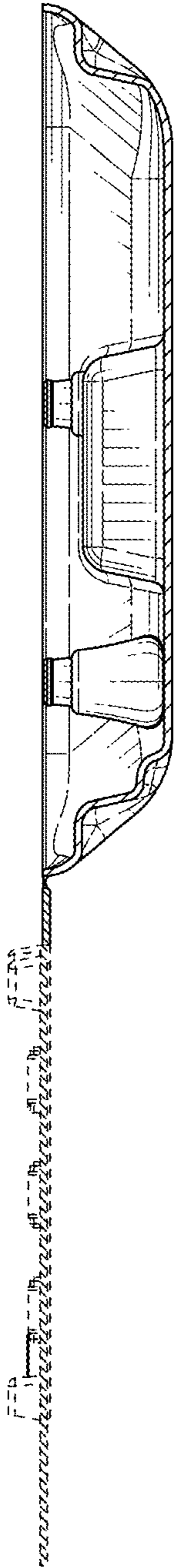


FIG. 35

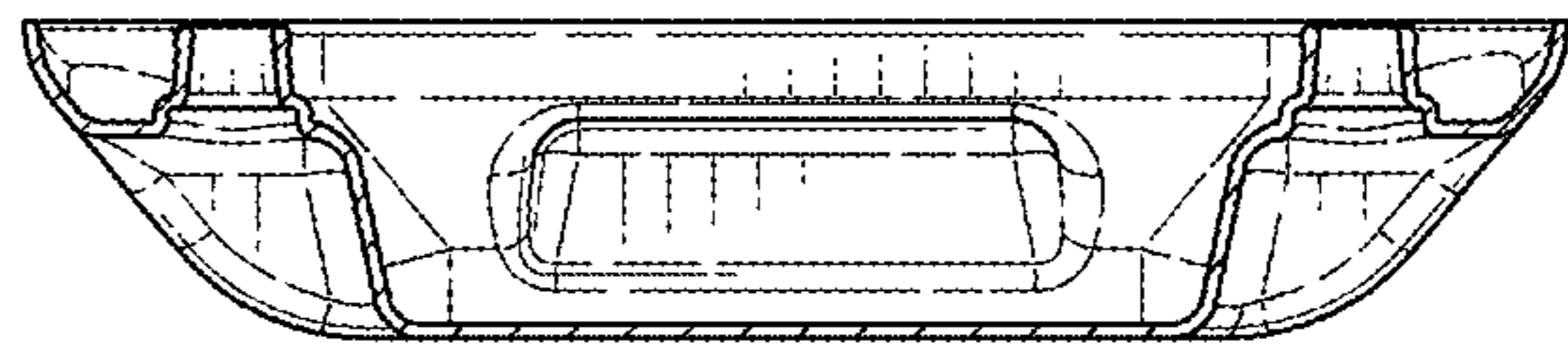


FIG. 36