



US00D922573S

(12) **United States Design Patent**  
**Tsai**

(10) **Patent No.:** **US D922,573 S**  
(45) **Date of Patent:** **\*\* Jun. 15, 2021**

(54) **LOWER MEMBER OF A VAGINAL SPECULUM**

(71) Applicant: **Yih-Chiou Tsai**, Taichung (TW)

(72) Inventor: **Yih-Chiou Tsai**, Taichung (TW)

(\*\*) Term: **15 Years**

(21) Appl. No.: **29/698,640**

(22) Filed: **Jul. 18, 2019**

(30) **Foreign Application Priority Data**

May 17, 2019 (TW) ..... 108302841

(51) **LOC (13) Cl.** ..... **24-02**

(52) **U.S. Cl.**  
USPC ..... **D24/135**

(58) **Field of Classification Search**  
USPC ..... D24/135, 133, 140  
CPC ..... A61B 1/00142; A61B 1/32; A61B 1/00;  
A61B 17/02; A61B 17/24; A61B 18/02;  
A61B 18/06; A61F 5/08; A61F 5/56  
See application file for complete search history.

(56) **References Cited**

**U.S. PATENT DOCUMENTS**

D31,396 S *	8/1899	Pilling	.....	D24/135
D274,356 S *	6/1984	Riedell	.....	600/222
D299,532 S *	1/1989	Cecil, Jr.	.....	D24/135
D474,275 S *	5/2003	Tan	.....	D24/135
D558,344 S *	12/2007	Saddlemire	.....	D24/135
D564,657 S *	3/2008	Tsai	.....	D24/135
D621,936 S *	8/2010	Gillis	.....	D24/135

D710,500 S *	8/2014	Roeloffs	.....	D24/135
2014/0275790 A1 *	9/2014	Vivenzio	.....	A61B 1/06 600/197
2017/0347871 A1 *	12/2017	Wallace	.....	A61B 1/32

\* cited by examiner

*Primary Examiner* — Bridget L Eland  
(74) *Attorney, Agent, or Firm* — Browdy and Neimark, PLLC

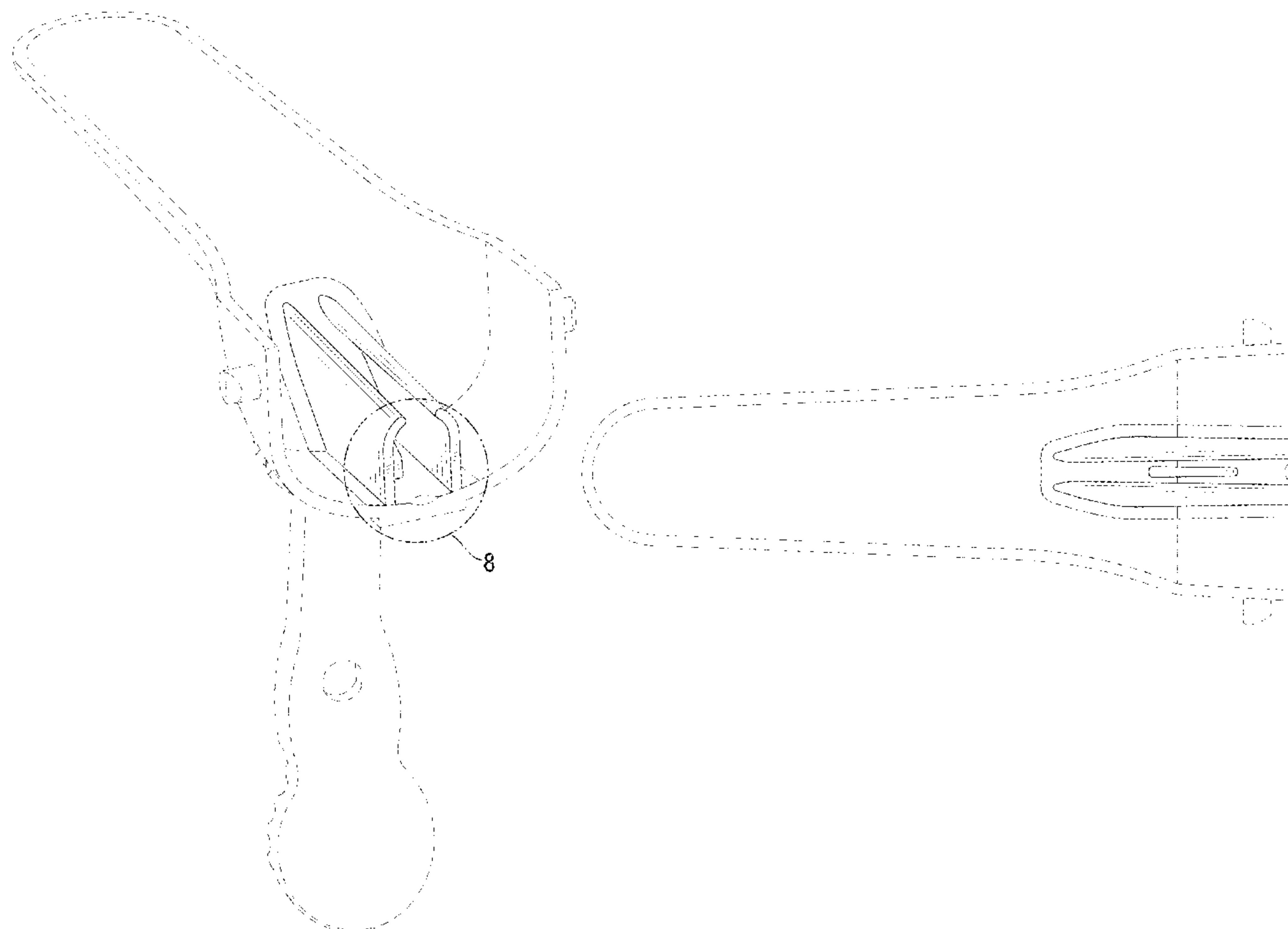
(57) **CLAIM**

The ornamental design for a lower member of a vaginal speculum, as shown and described.

**DESCRIPTION**

FIG. 1 is a perspective view of a lower member of a vaginal speculum showing my new design;  
FIG. 2 is a front view thereof;  
FIG. 3 is a rear view thereof;  
FIG. 4 is a left side view thereof;  
FIG. 5 is a right side view thereof;  
FIG. 6 is a top view thereof;  
FIG. 7 is a bottom view thereof;  
FIG. 8 is an enlarged perspective view thereof according to dash-dot broken line circle "8" shown in FIG. 1; and,  
FIG. 9 is an enlarged right side view thereof according to dash-dot broken line circle "9" shown in FIG. 5.  
The broken lines depict environmental subject matter, are for illustration only and form no part of the claimed design.  
The dash-dot-dot lines represent the bounds of the claimed design and form no part of the claimed design.  
The dot-dash lines are imaginary lines that are included for reference purposes only to identify the enlarged views; the dot-dash lines form no part of the claimed design.

**1 Claim, 9 Drawing Sheets**



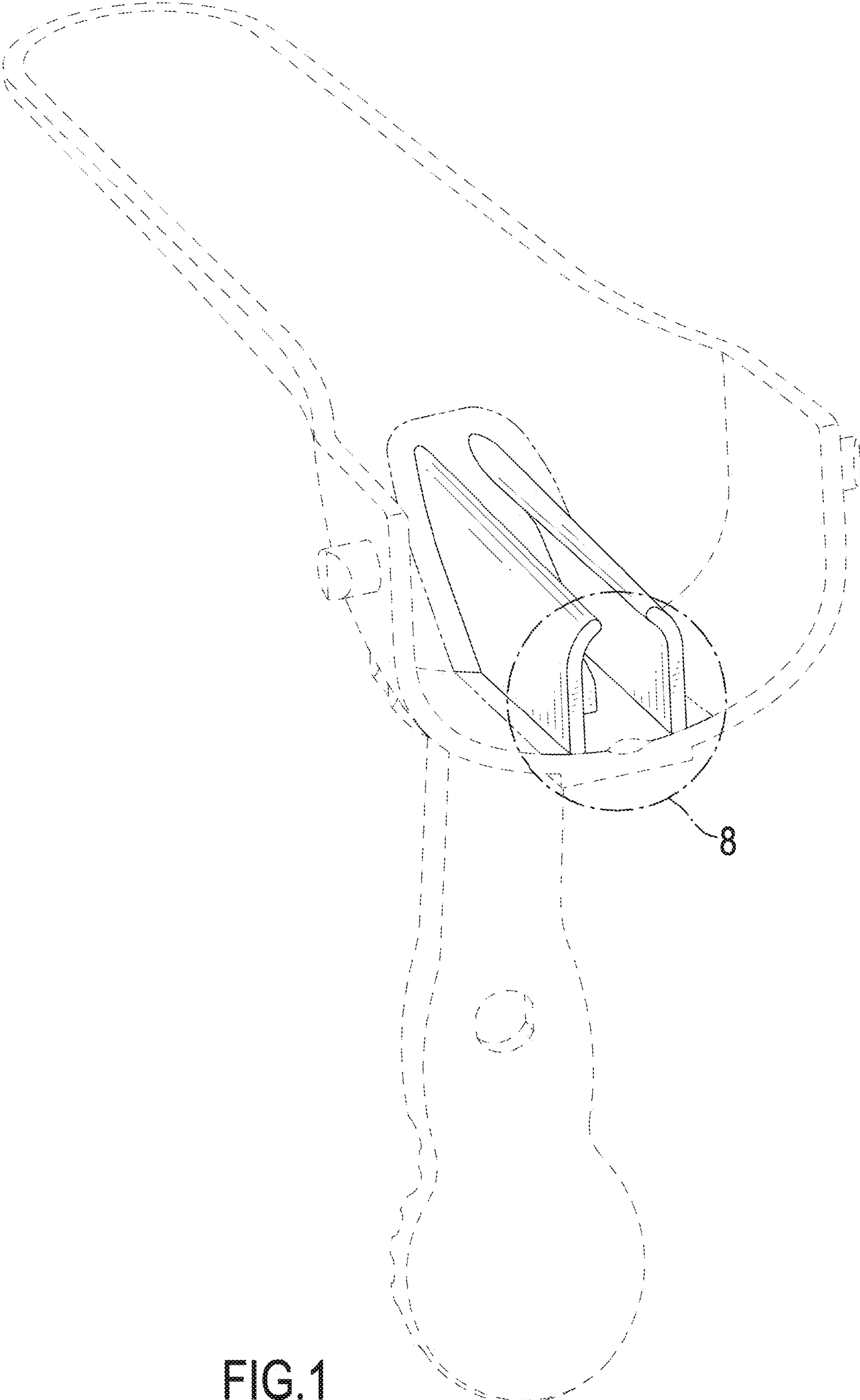


FIG.1

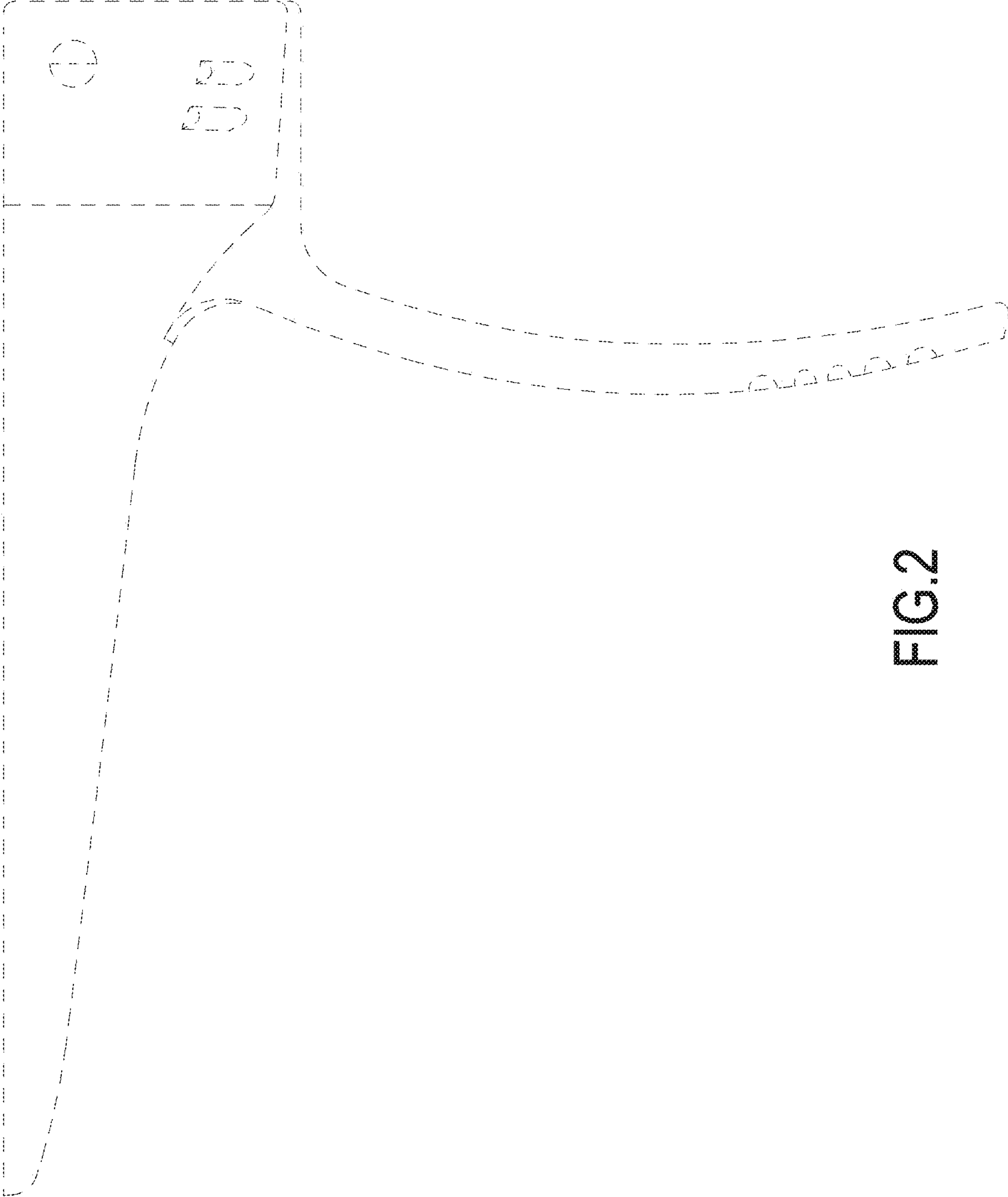


FIG.2



FIG. 3

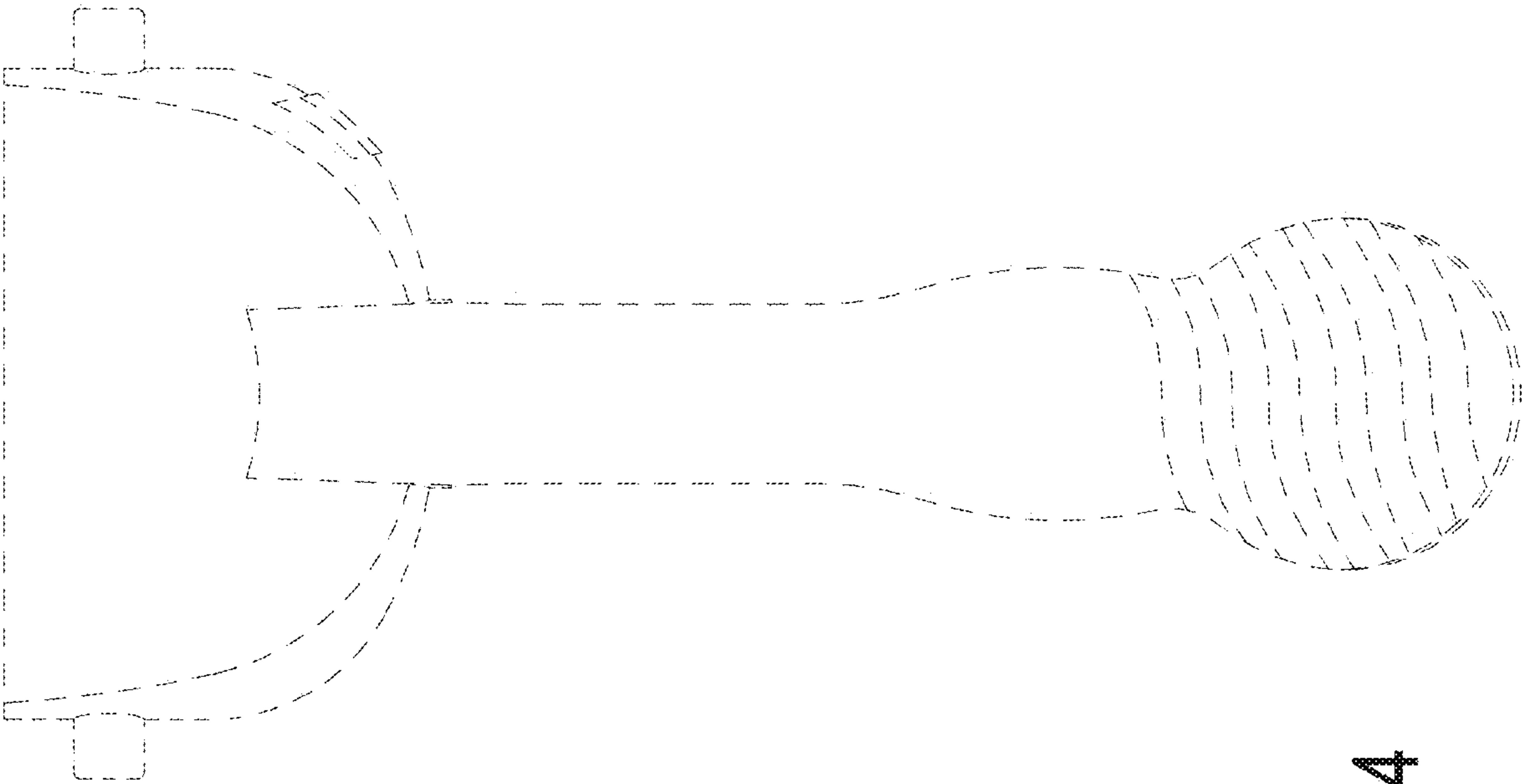


FIG.4

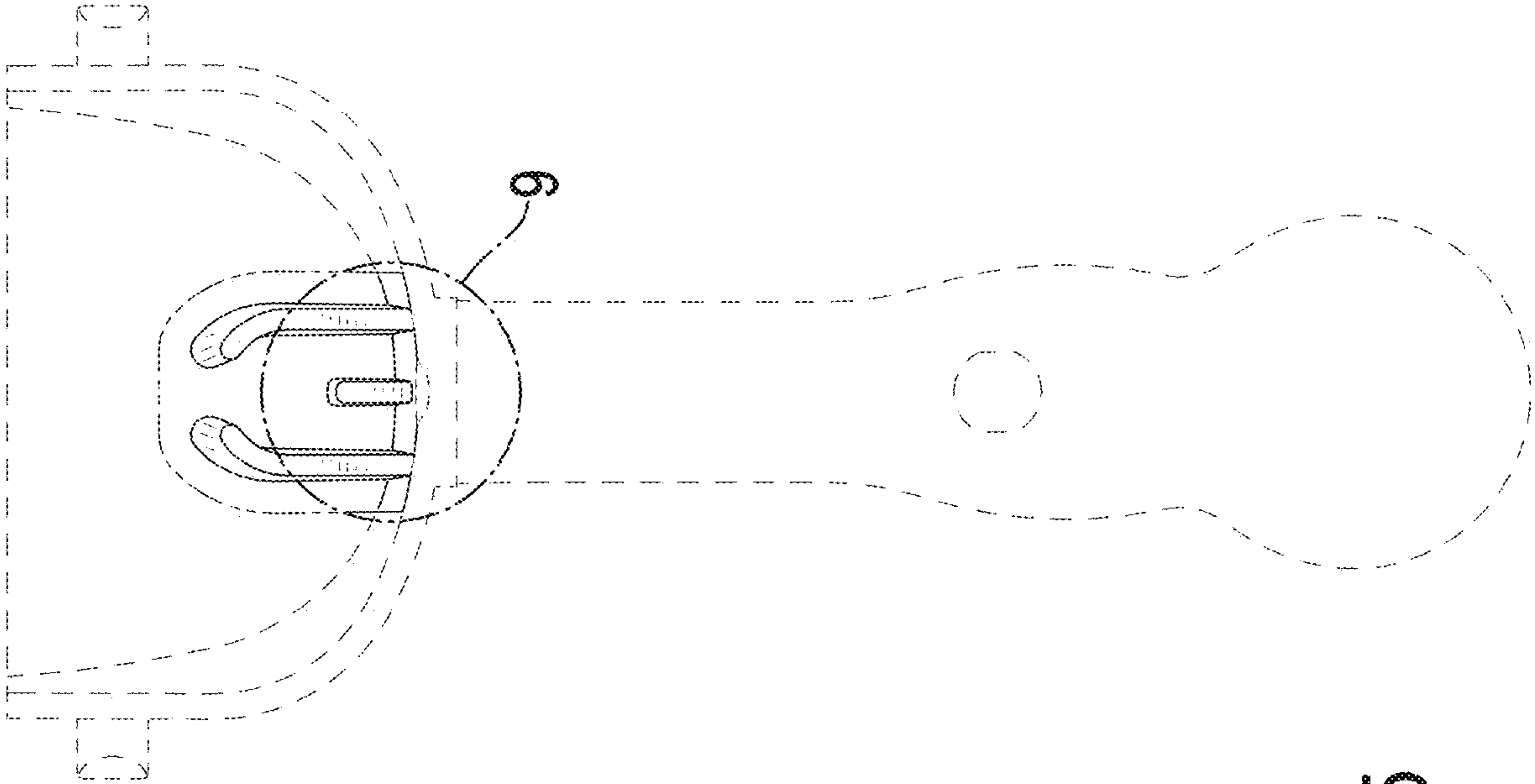


FIG. 5

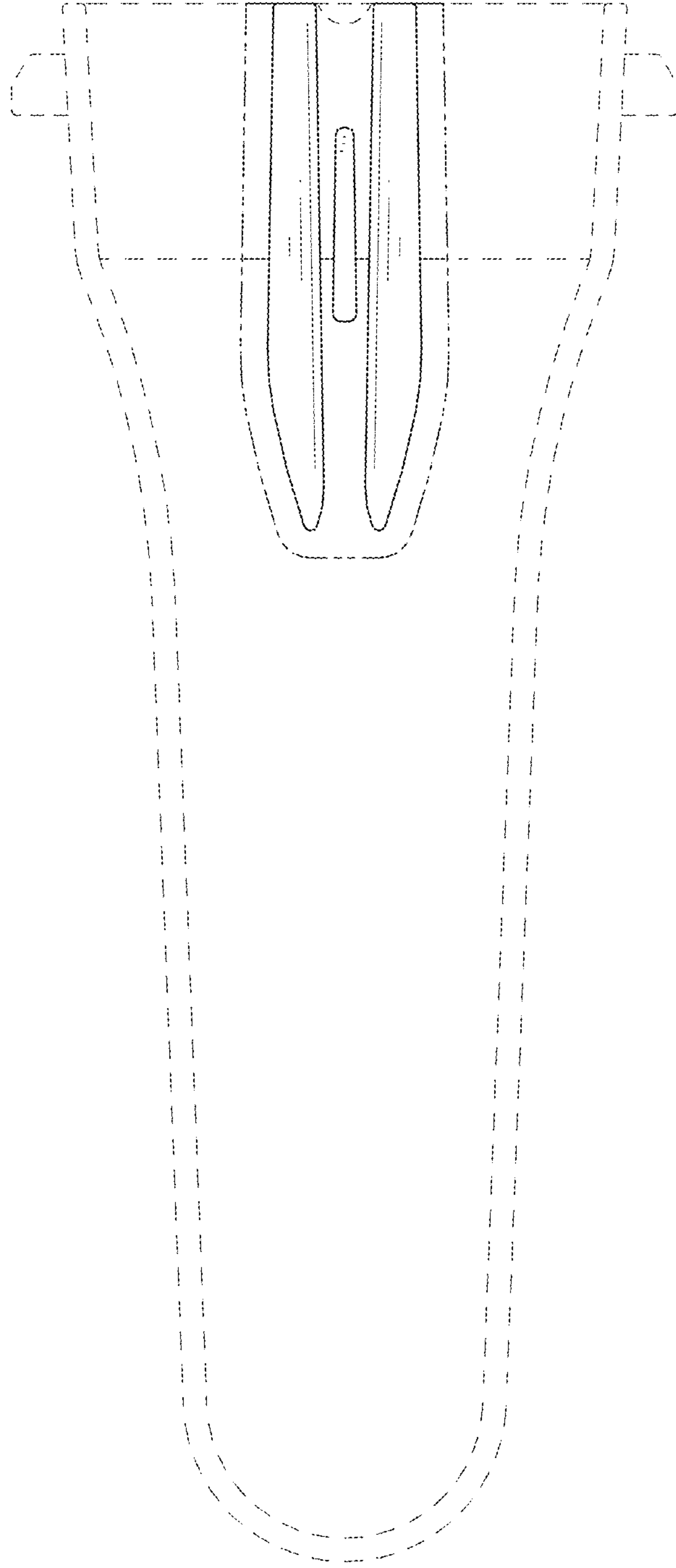


FIG.6

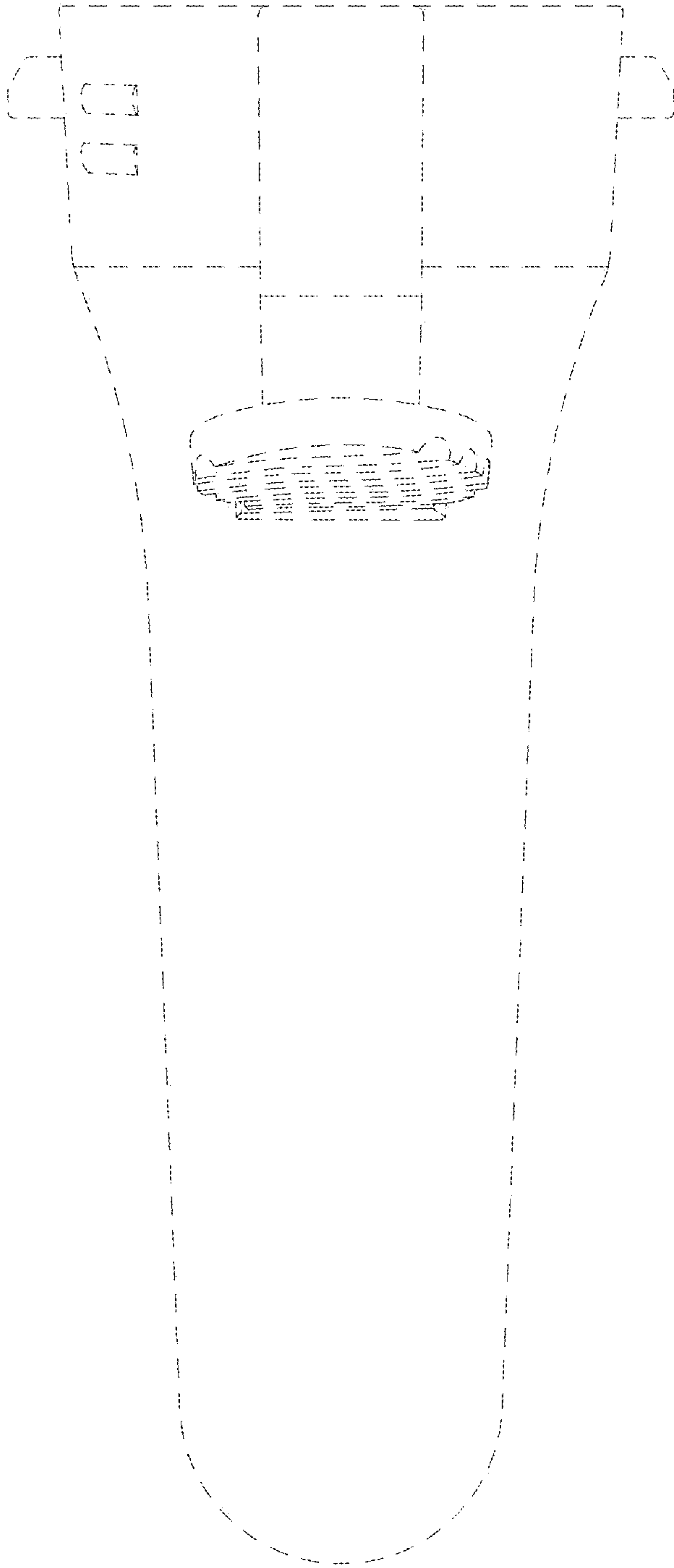


FIG. 7



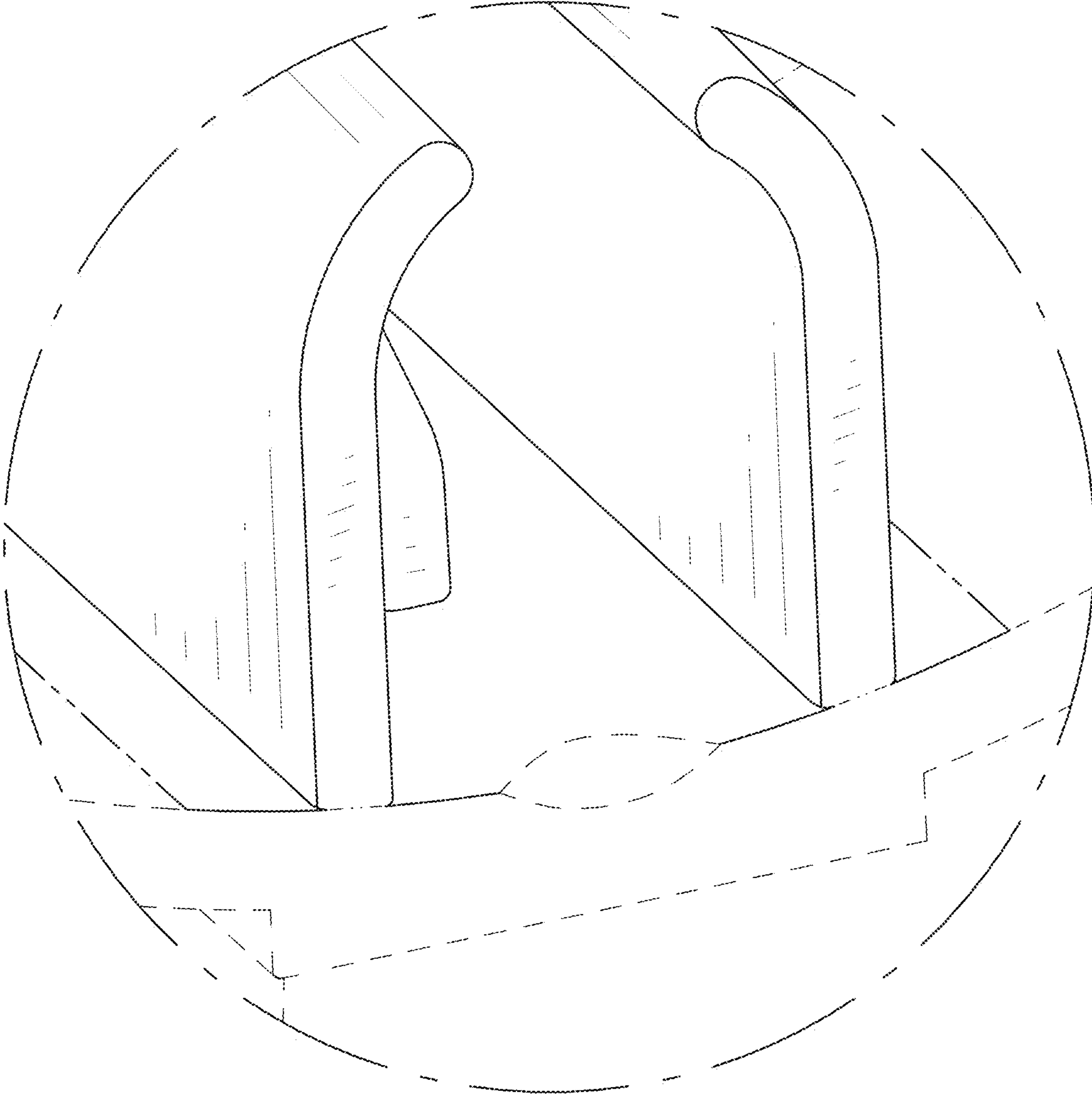


FIG. 8

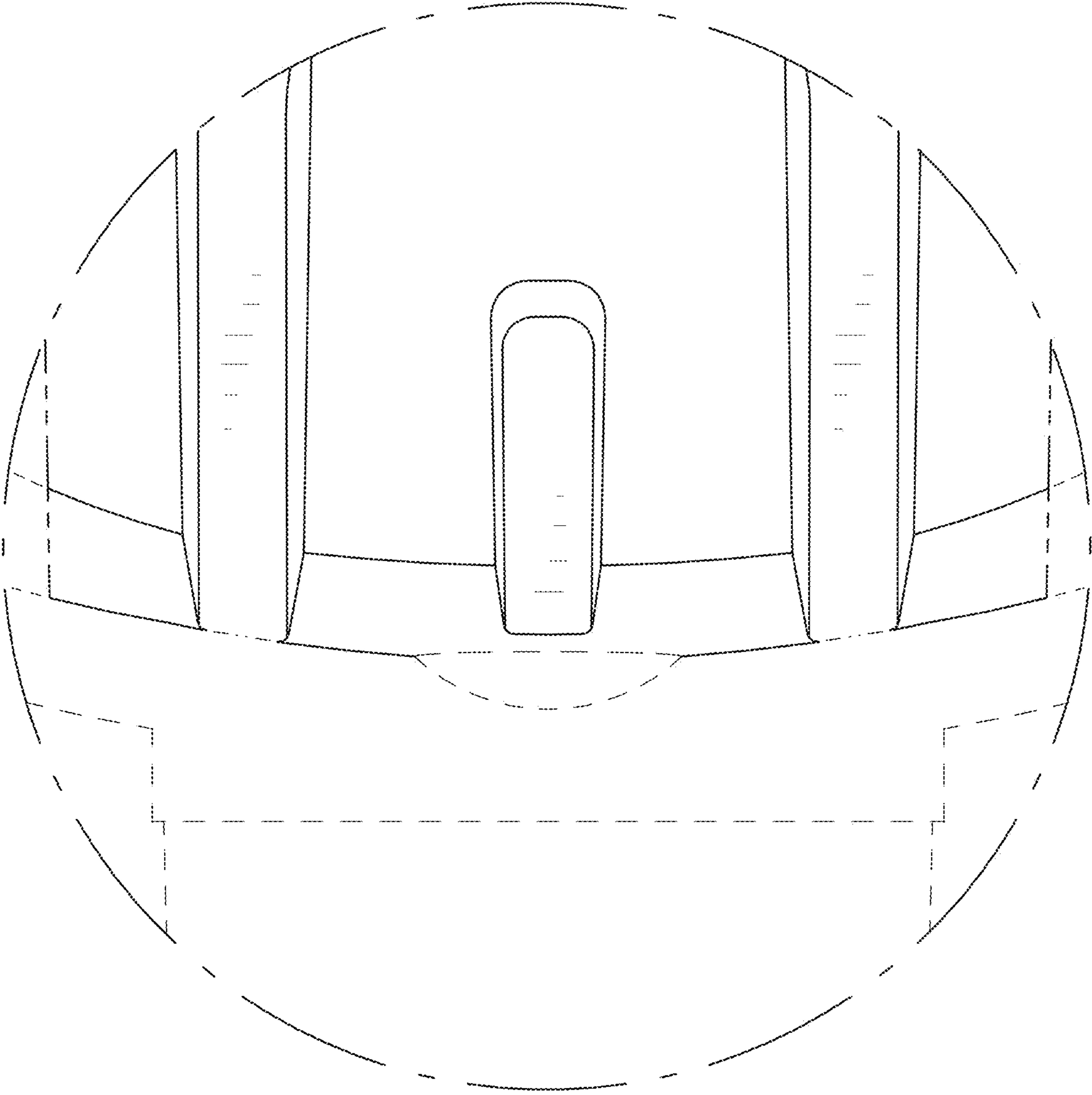


FIG.9