



US00D922570S

(12) **United States Design Patent** (10) **Patent No.:** **US D922,570 S**
Houmas et al. (45) **Date of Patent:** **** Jun. 15, 2021**

(54) **DISPOSABLE DIAPER WITH A WETTING-POINT VENT**
(71) Applicants: **Thadora Houmas**, Langhorne, PA (US); **Kimberly A. Vinch**, Lawrenceville, NJ (US)
(72) Inventors: **Thadora Houmas**, Langhorne, PA (US); **Kimberly A. Vinch**, Lawrenceville, NJ (US)
(**) Term: **15 Years**
(21) Appl. No.: **29/645,148**
(22) Filed: **Apr. 24, 2018**

Related U.S. Application Data

(63) Continuation-in-part of application No. 29/560,102, filed on Apr. 3, 2016, now abandoned.
(51) **LOC (13) Cl.** **24-04**
(52) **U.S. Cl.**
USPC **D24/126**
(58) **Field of Classification Search**
USPC D24/124, 125, 126, 189, 190, 191, 192
CPC A61F 13/704; A61F 13/5616; A61F 13/4758; A61F 13/472; A61F 13/202; A61F 13/47227; A61F 2013/4729; A61F 13/20; A61F 13/2022; A61F 13/204; A61F 13/2051; A61F 13/2071; A61F 13/2091; A61F 13/34; A61F 13/47209; A61F 13/15; A61F 13/64; A61F 13/476; A61F 13/5611; A61F 13/467
See application file for complete search history.

References Cited

U.S. PATENT DOCUMENTS

D347,892 S * 6/1994 Gegelys D24/124
D347,893 S * 6/1994 Gegelys D24/124

D460,177 S * 7/2002 Endo D24/125
D462,439 S * 9/2002 Montgomery D24/124
D463,858 S * 10/2002 Sherrod D24/124
D465,570 S * 11/2002 Endo D24/124
D476,416 S * 6/2003 MacDonagh D24/124
D480,812 S * 10/2003 Moore-Steele D24/124
D500,131 S * 12/2004 Choice D24/125
D516,728 S * 3/2006 Wall D24/124
D571,462 S * 6/2008 Qureshi D24/124
D716,938 S * 11/2014 Fitter D24/125
D787,051 S * 5/2017 Gaston D24/126
D792,967 S * 7/2017 Moritani D24/126
D861,159 S * 9/2019 Koc D24/126
D861,861 S * 10/2019 Kreuzer D24/126
2017/0246048 A1 * 8/2017 Houmas A61F 13/84

* cited by examiner

Primary Examiner — Samantha Q Lawrence
(74) *Attorney, Agent, or Firm* — RosserIP, LLC; Roy Rosser

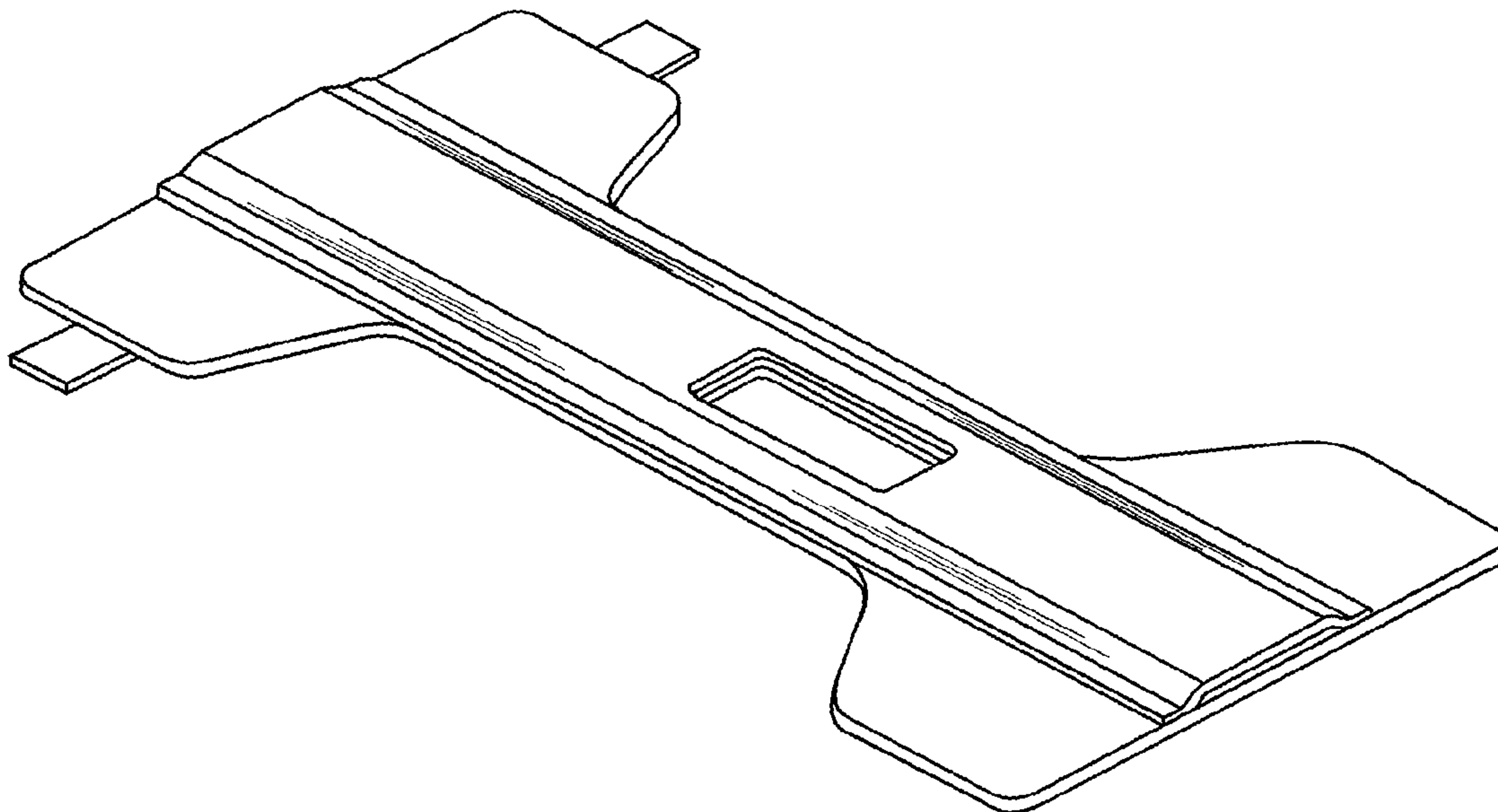
(57) **CLAIM**

The ornamental design for a disposable diaper with a wetting-point vent, as shown and described.

DESCRIPTION

FIG. 1 is a perspective view of a disposable diaper with a wetting-point vent.
FIG. 2 is a top view thereof.
FIG. 3 is a bottom view thereof.
FIG. 4 is a left, side view thereof, and the right view is a mirror view.
FIG. 5 is a front view thereof, and the back view is a mirror view; and,
FIG. 6 is a cross-sectional view taken on “A-A” of FIG. 2.

1 Claim, 2 Drawing Sheets



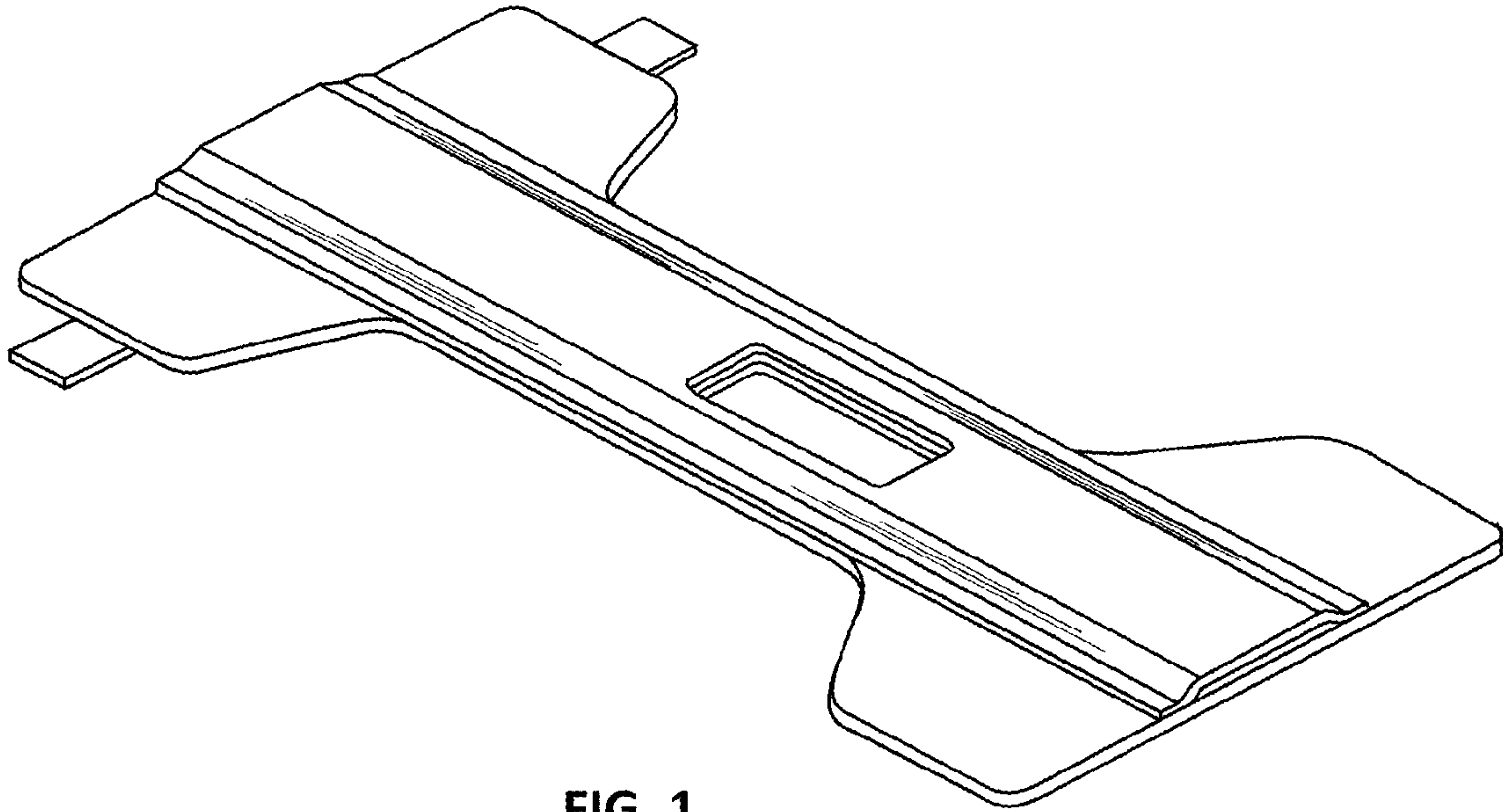


FIG. 1

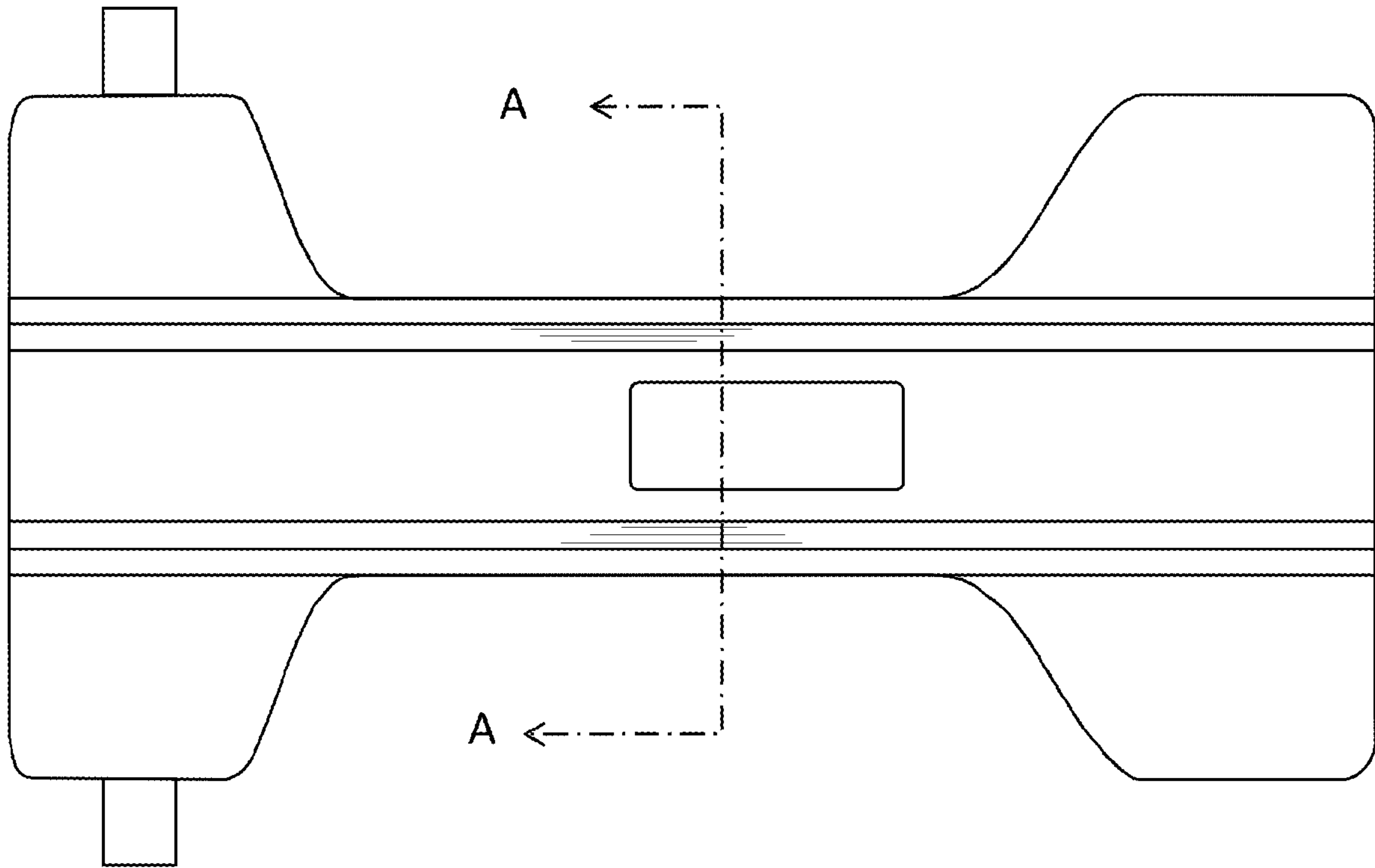


FIG. 2

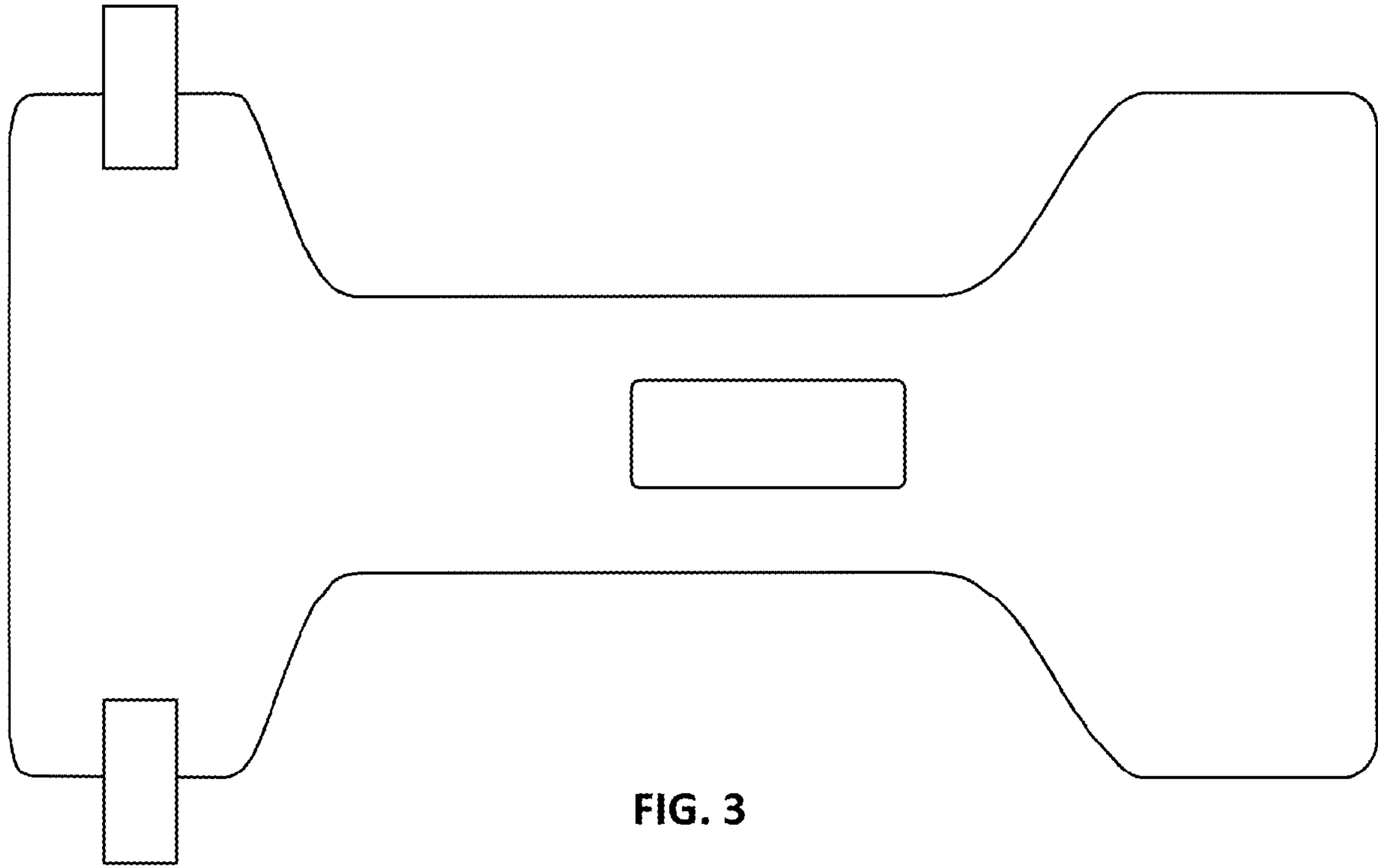


FIG. 3

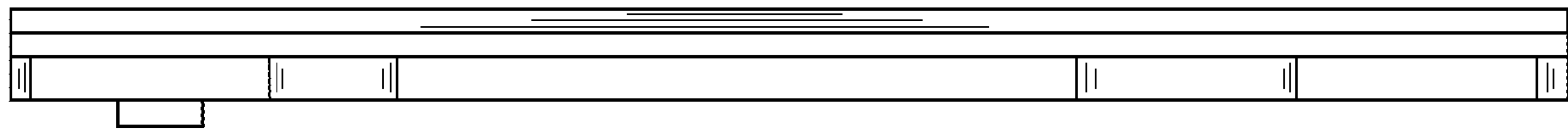


FIG. 4

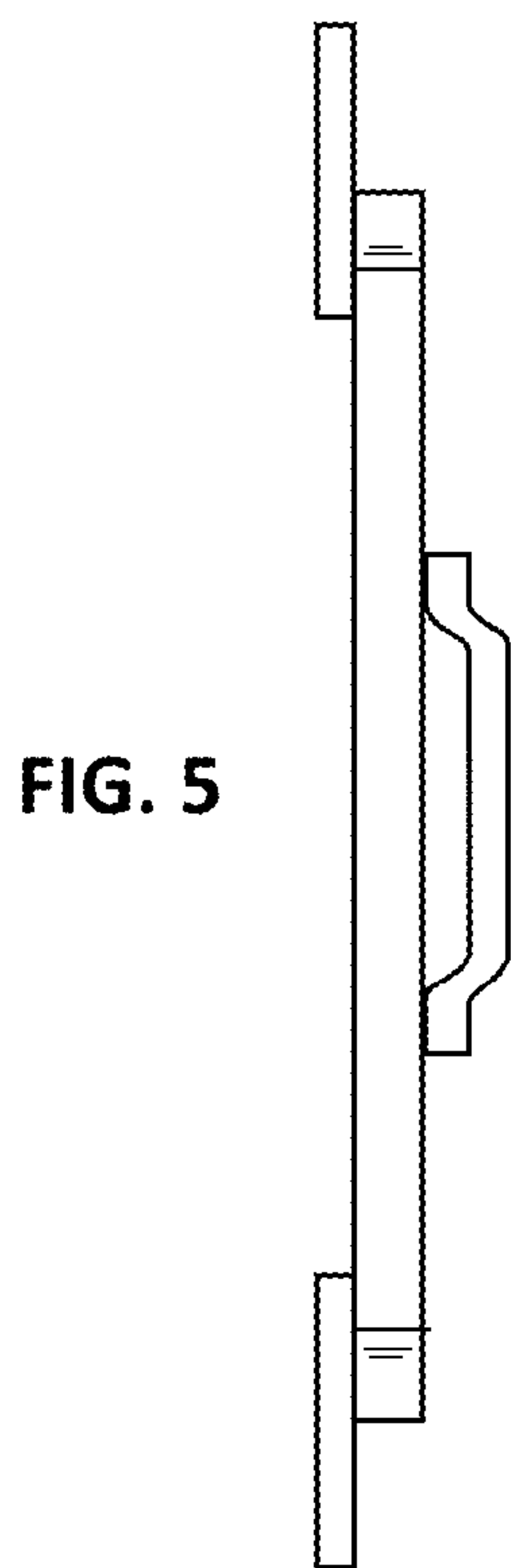


FIG. 5

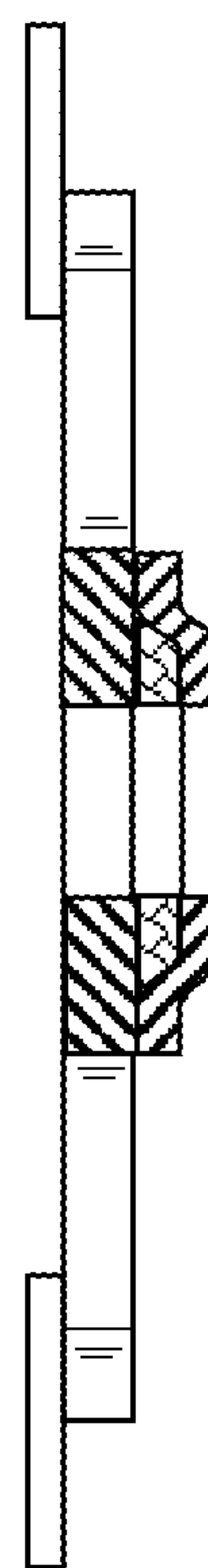


FIG. 6