



US00D922568S

(12) **United States Design Patent** (10) **Patent No.:** **US D922,568 S**
Schifano et al. (45) **Date of Patent:** **** Jun. 15, 2021**

(54) **SURGICAL CANNULA**

FOREIGN PATENT DOCUMENTS

(71) Applicant: **Orthocision Inc.**, Folsom, CA (US)

CA 122280 3/2009
EP 3326540 3/2019

(72) Inventors: **Troy Schifano**, Morgantown, WV (US);
Steve Anderson, Folsom, CA (US)

Primary Examiner — David G Muller
(74) *Attorney, Agent, or Firm* — Sierra IP Law, PC;
William K. Nelson

(**) Term: **15 Years**

(21) Appl. No.: **29/756,232**

(22) Filed: **Oct. 27, 2020**

(57) **CLAIM**

We claim the ornamental design for a surgical cannula, as shown and described.

Related U.S. Application Data

DESCRIPTION

(63) Continuation of application No. 29/718,879, filed on Dec. 30, 2019, which is a continuation-in-part of application No. 14/668,976, filed on Mar. 25, 2015, now Pat. No. 10,993,757.

(51) **LOC (13) Cl.** **24-02**

(52) **U.S. Cl.**
USPC **D24/113**

(58) **Field of Classification Search**
USPC D24/112–114, 108, 130, 127, 133, 186;
606/181, 185; 604/264, 523–528, 272,
604/164.01–164.11, 187, 93.01; 600/101,
600/139, 143; 128/200.24, 207.14,
128/207.15

CPC .. A61M 25/065; A61M 5/42; A61M 25/0612;
A61M 25/00; A61M 39/00; A61M 27/00;
A61M 25/0043; A61M 25/0067; A61M
25/0097; A61F 2/958

See application file for complete search history.

FIG. 1 is a perspective view of the surgical cannula with the proximal end of the surgical cannula positioned in an upward position;
FIG. 2 is a perspective top view of the surgical cannula of FIG. 1 with the proximal end of the surgical cannula positioned in an upward position;
FIG. 3 is a perspective view of the surgical cannula of FIG. 1;
FIG. 4 is a side view of a first side of the surgical cannula of FIG. 1;
FIG. 5 is a side view of a second side of the surgical cannula of FIG. 1;
FIG. 6 is a side view of a third side of the surgical cannula of FIG. 1;
FIG. 7 is a side view of a fourth side of the surgical cannula of FIG. 1;
FIG. 8 is a view of the proximal end of the surgical cannula of FIG. 1;
FIG. 9 is a view of the distal end of the surgical cannula of FIG. 1; and,
FIG. 10 is a close-up perspective view of the proximal end of the surgical cannula of FIG. 1.
The broken lines in the drawings illustrate portions of the surgical cannula which form no part of the claimed design.

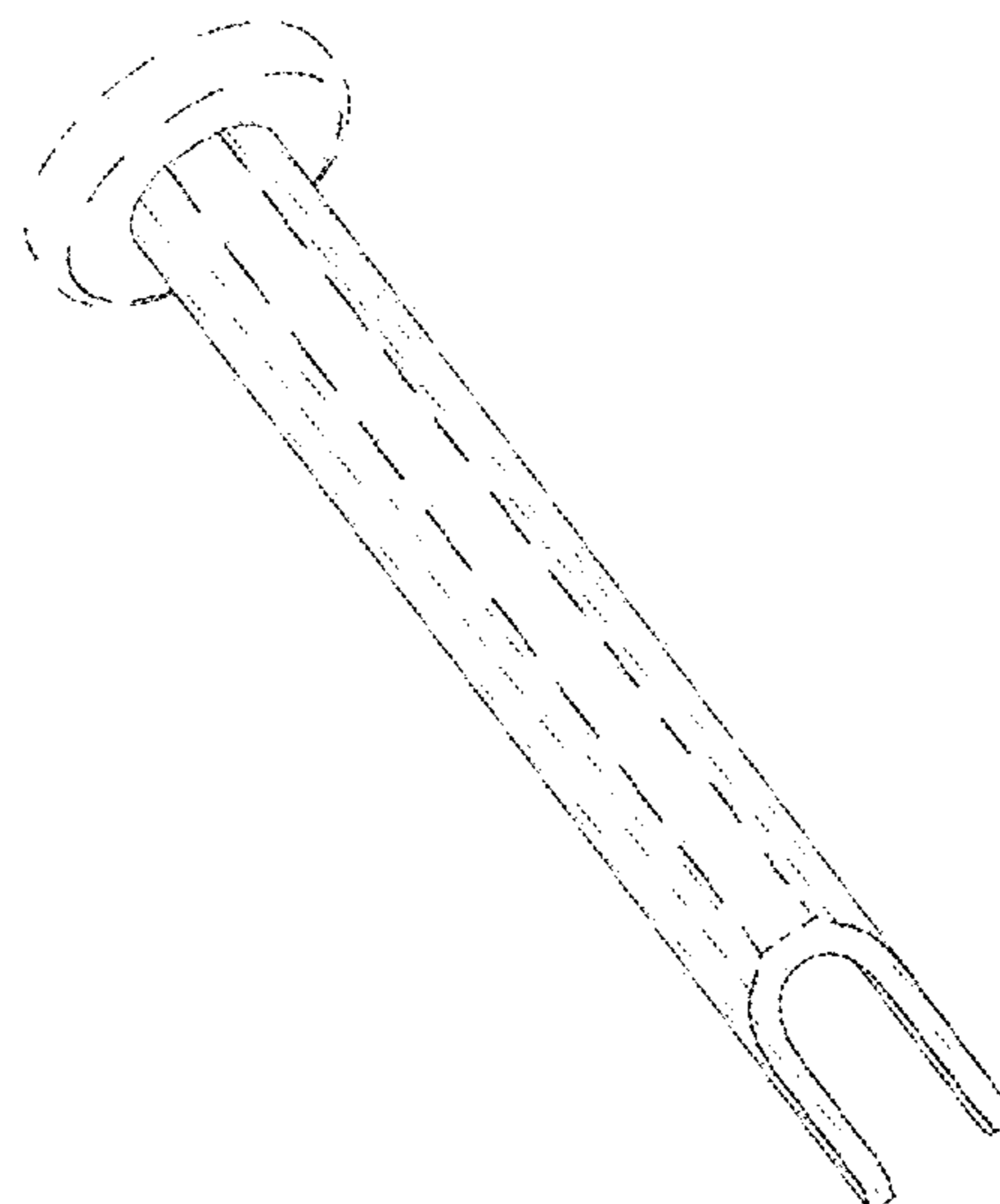
(56) **References Cited**

U.S. PATENT DOCUMENTS

4,393,872 A 7/1983 Reznik et al.
RE31,855 E 8/1986 Osborne
D353,456 S * 12/1994 Fayngold D24/128
D378,699 S 4/1997 Niedospial et al.
D387,425 S 12/1997 Niedospial et al.
5,782,861 A 7/1998 Cragg et al.

(Continued)

1 Claim, 10 Drawing Sheets



(56)

References Cited

U.S. PATENT DOCUMENTS

D397,217 S * 8/1998 Brookfield D24/130
 5,921,993 A 7/1999 Yoon
 6,004,302 A 12/1999 Brierley
 6,135,984 A 10/2000 Dishler
 6,702,790 B1 3/2004 Ross
 6,758,824 B1 7/2004 Miller et al.
 6,945,964 B2 9/2005 Ross
 D533,270 S 12/2006 Kierce et al.
 7,527,624 B2 5/2009 Dubnack
 D603,043 S 10/2009 Kreidler
 D625,805 S * 10/2010 Hereford D24/140
 D642,261 S * 7/2011 York D24/130
 D651,309 S * 12/2011 Rowe D24/130
 D673,670 S * 1/2013 Linnenschmidt D24/112
 D674,084 S 1/2013 Linnenschmidt
 8,403,866 B2 3/2013 Seifert et al.
 D685,087 S * 6/2013 Voic D24/133
 8,591,480 B2 11/2013 Marler
 D695,390 S 12/2013 Bruggeman
 8,668,705 B2 3/2014 Johnston et al.
 D704,334 S 5/2014 Walthall
 8,740,912 B2 6/2014 Stark
 8,771,236 B2 7/2014 Nagase et al.
 8,821,527 B2 9/2014 Farnan et al.
 8,882,818 B1 11/2014 Vestgaarden

9,186,155 B2 11/2015 Katzman et al.
 D760,381 S 6/2016 Fox
 9,375,243 B1 6/2016 Vestgaarden
 9,381,045 B2 7/2016 Donner et al.
 9,451,986 B2 9/2016 Stoffman et al.
 D773,651 S 12/2016 Chen et al.
 9,895,176 B2 2/2018 Vestgaarden
 10,022,110 B2 7/2018 Stand et al.
 D827,133 S * 8/2018 Grosser D24/130
 10,045,842 B2 8/2018 Alexander et al.
 D828,551 S * 9/2018 Zou D24/130
 D832,423 S * 10/2018 Ishida A61M 25/0612
 D840,030 S * 2/2019 Smith D24/140
 10,219,841 B1 3/2019 Compton et al.
 D870,263 S * 12/2019 Adams D24/108
 D894,381 S * 8/2020 Shaw A61M 5/178
 D24/130
 2006/0287584 A1 12/2006 Garcia-Bengochia
 2010/0268228 A1 10/2010 Petersen
 2012/0095560 A1 4/2012 Donner
 2012/0271351 A1 10/2012 Vestgaarden
 2013/0172736 A1 7/2013 Abdou
 2014/0257408 A1 9/2014 Trieu et al.
 2014/0277165 A1 9/2014 Katzman et al.
 2016/0175113 A1 6/2016 Lins
 2016/0310197 A1 10/2016 Black et al.

* cited by examiner

Fig. 1

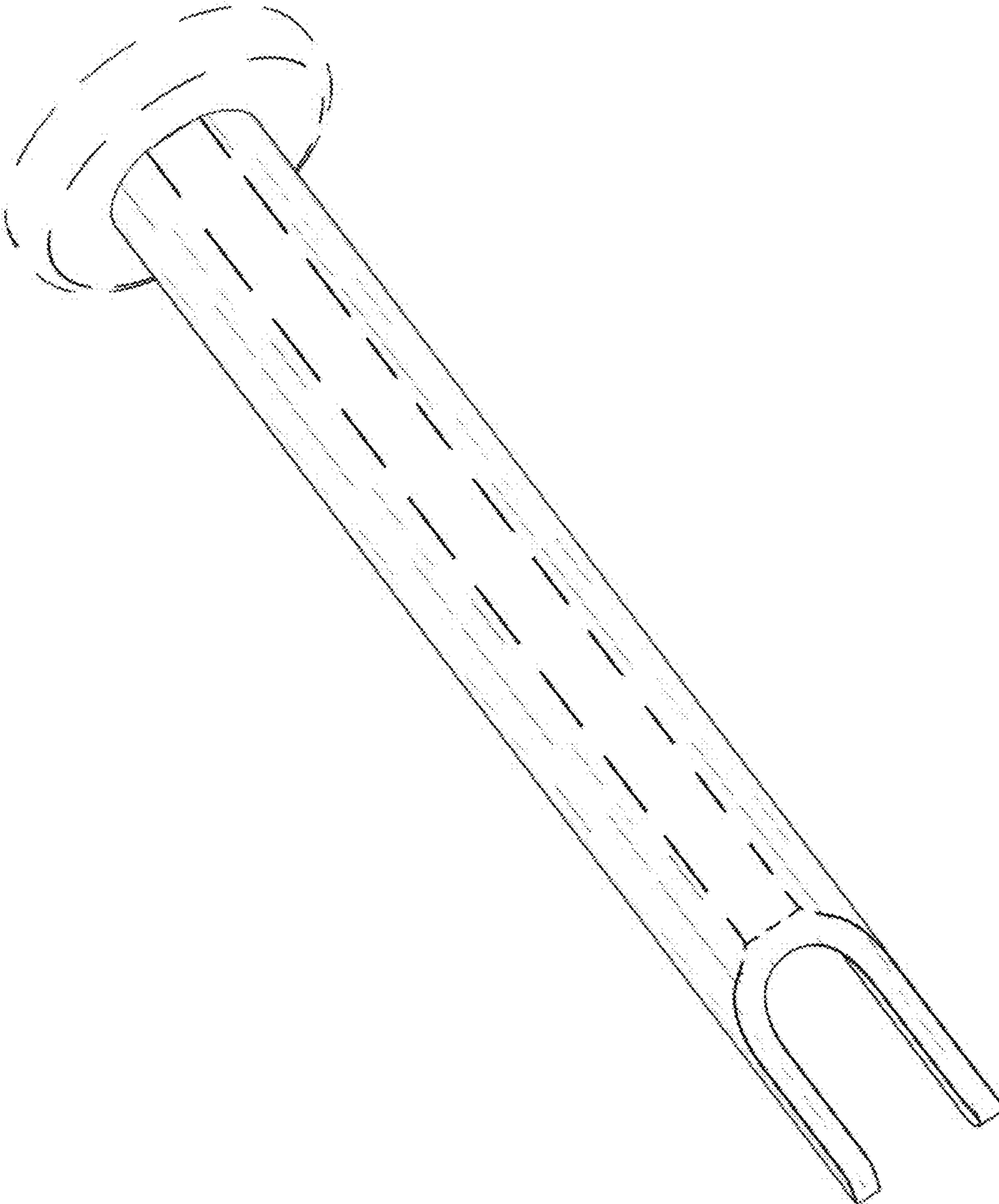


Fig. 2

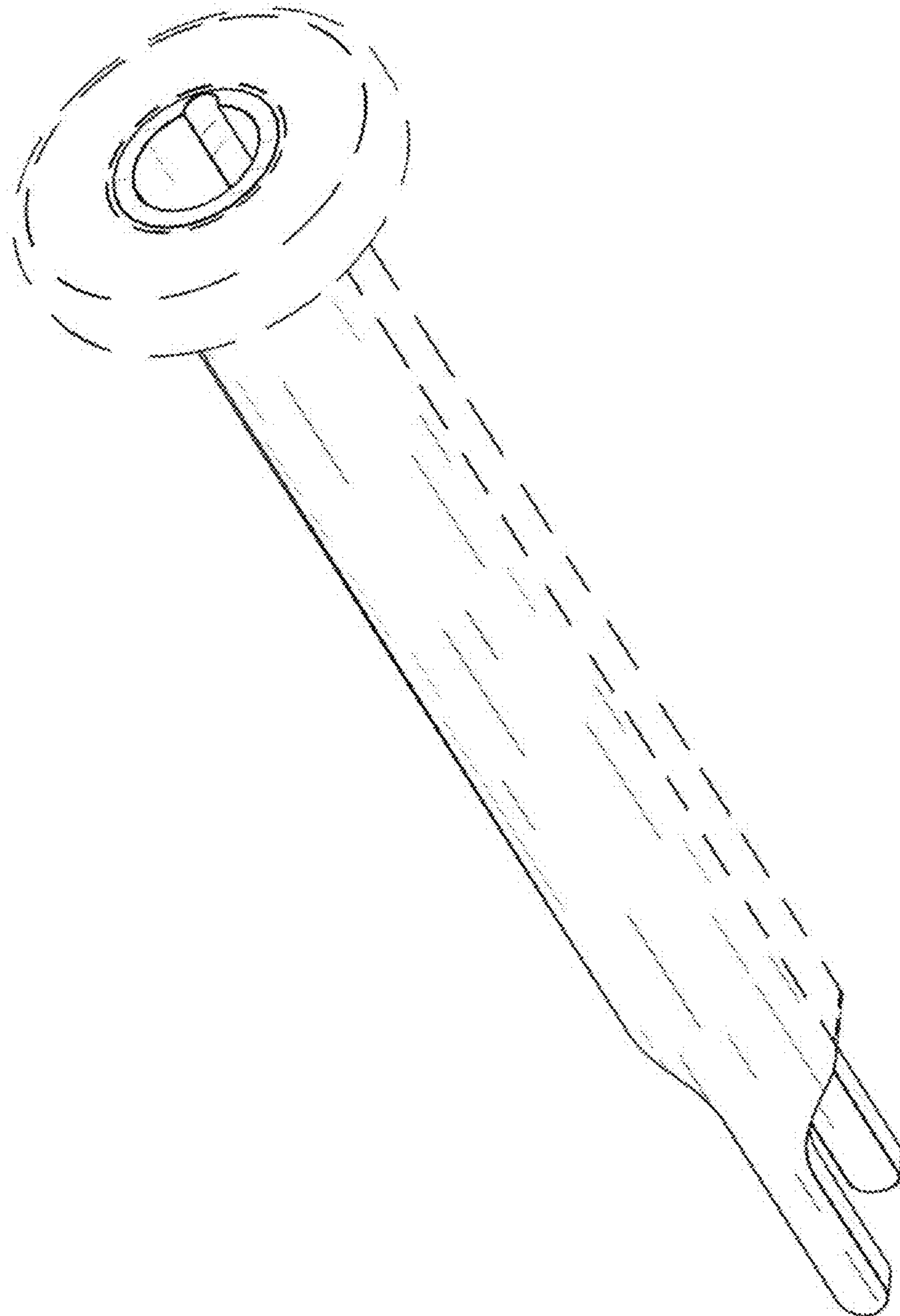


Fig. 3

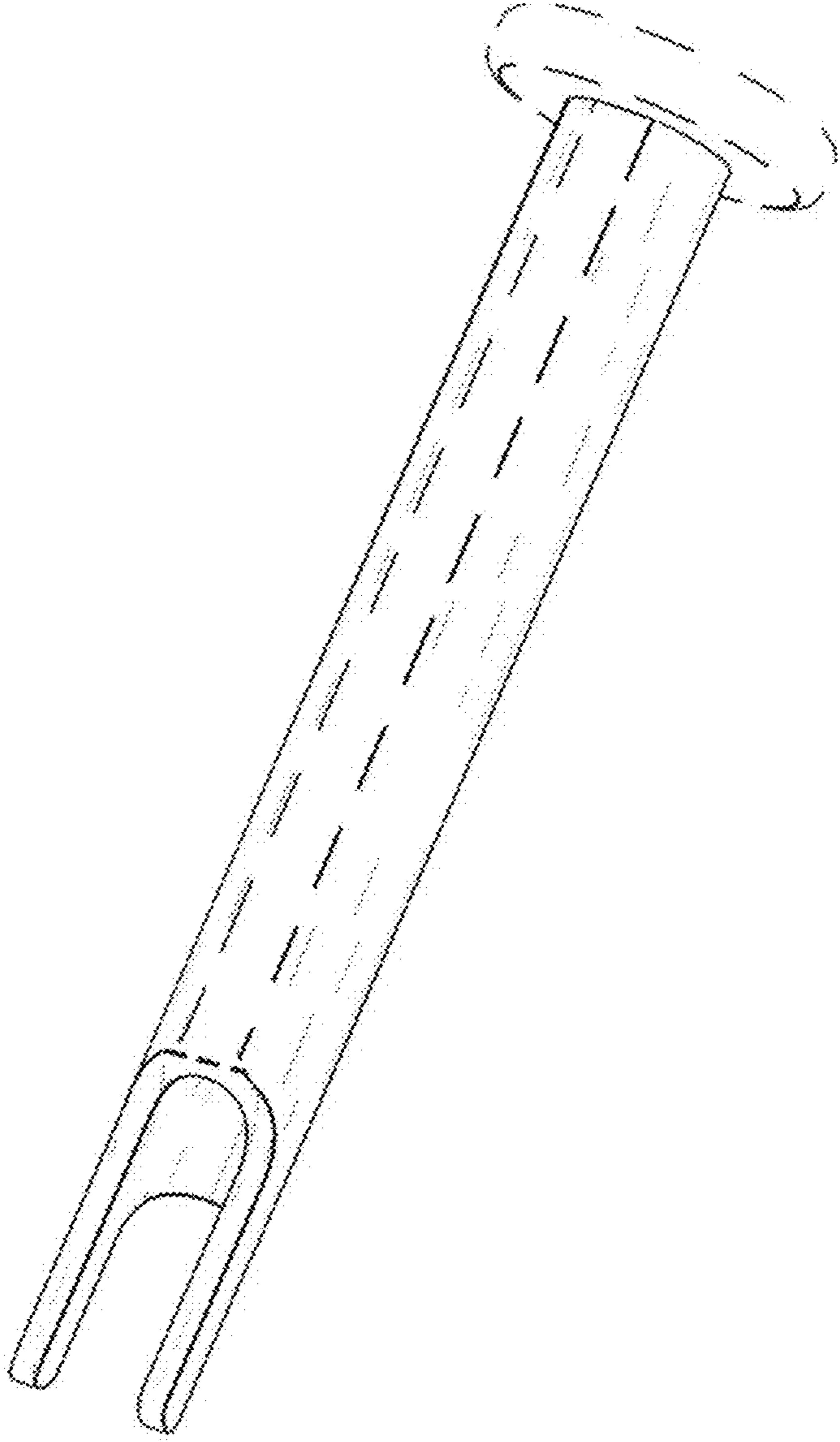


Fig. 4

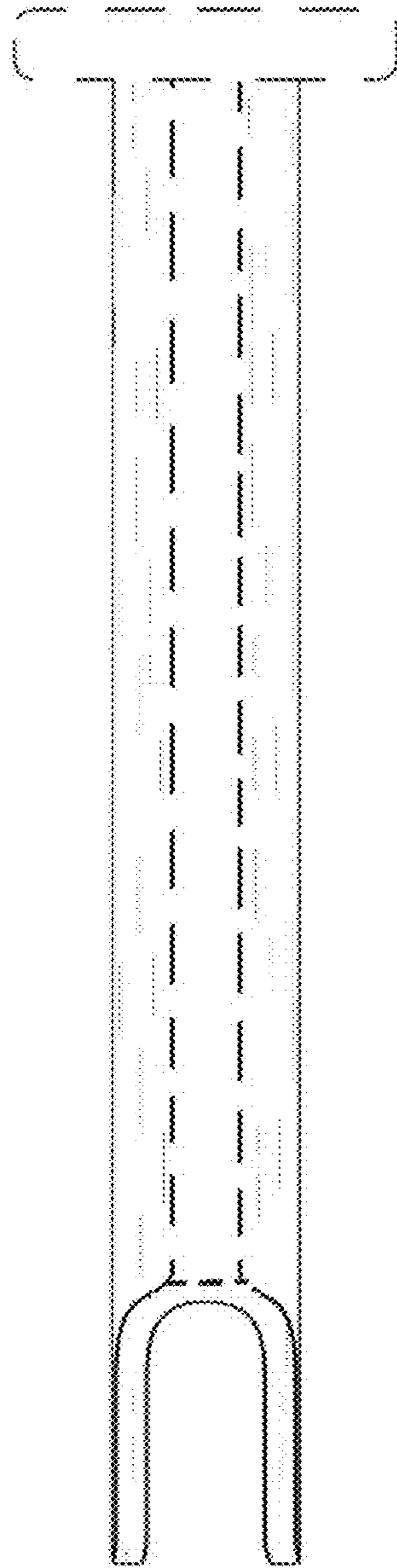


Fig. 5

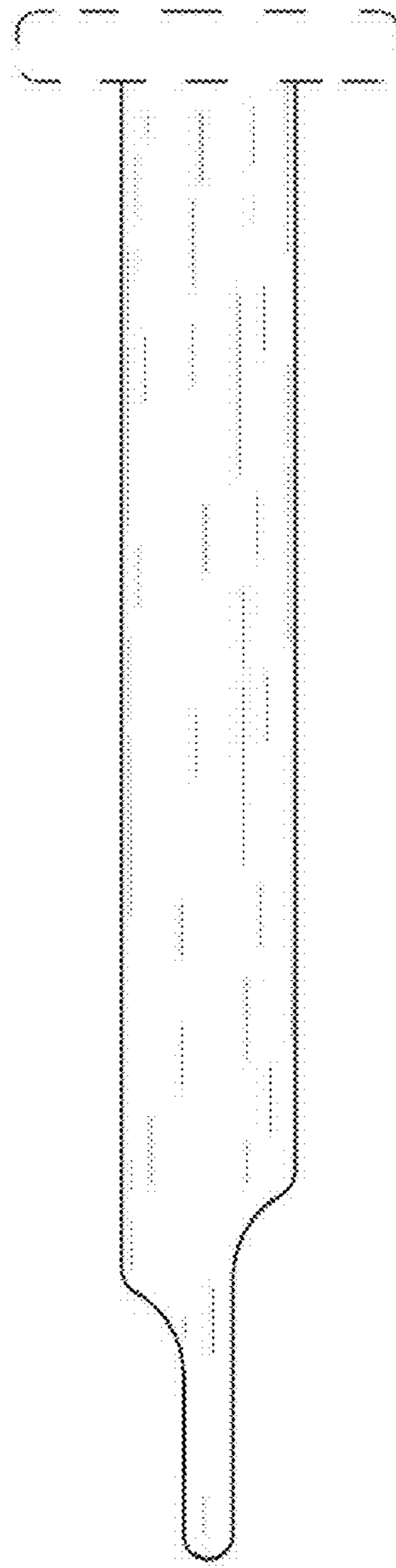


Fig. 6

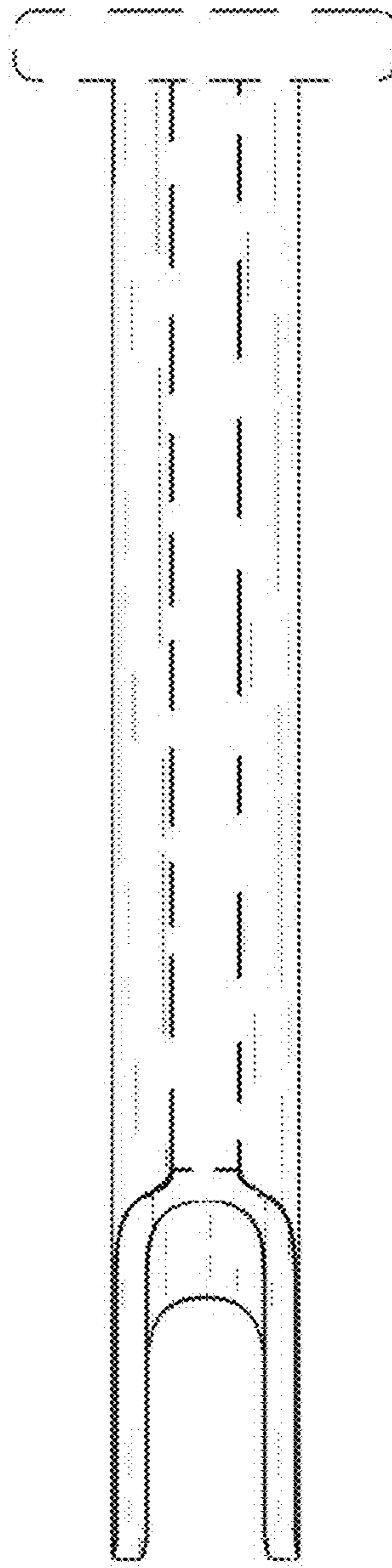


Fig. 7

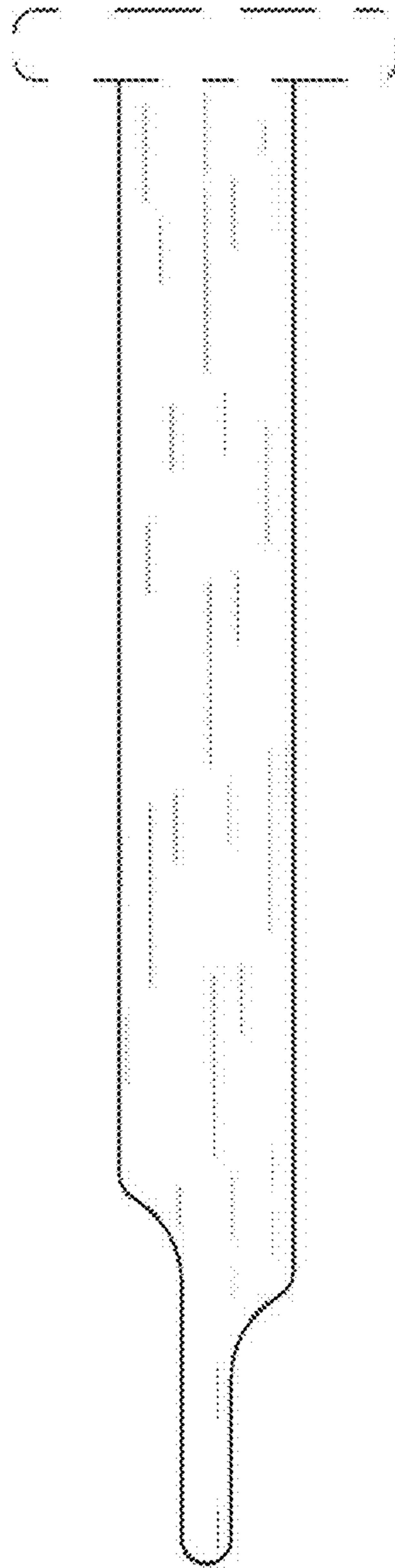


Fig. 8

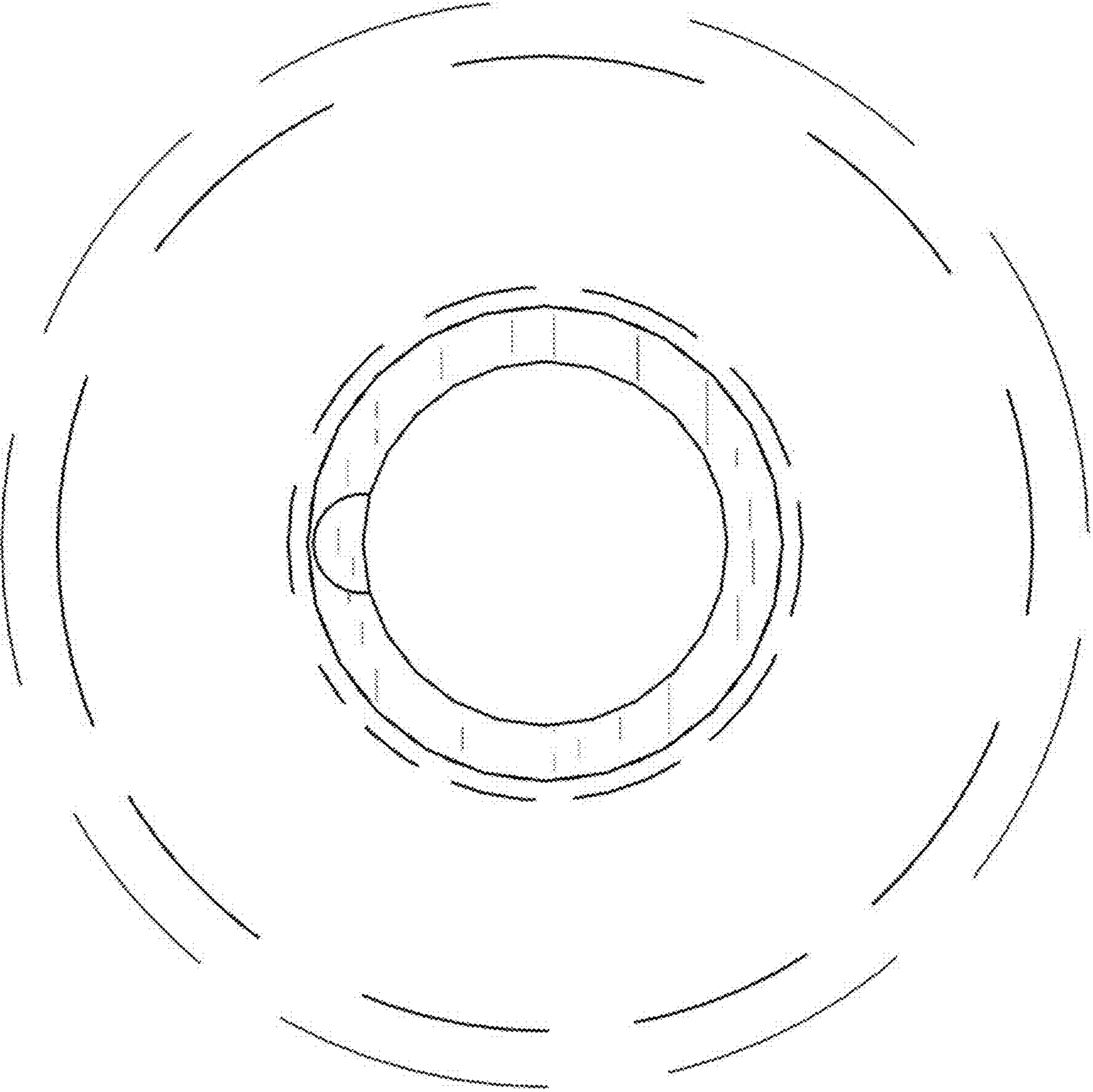


Fig. 9

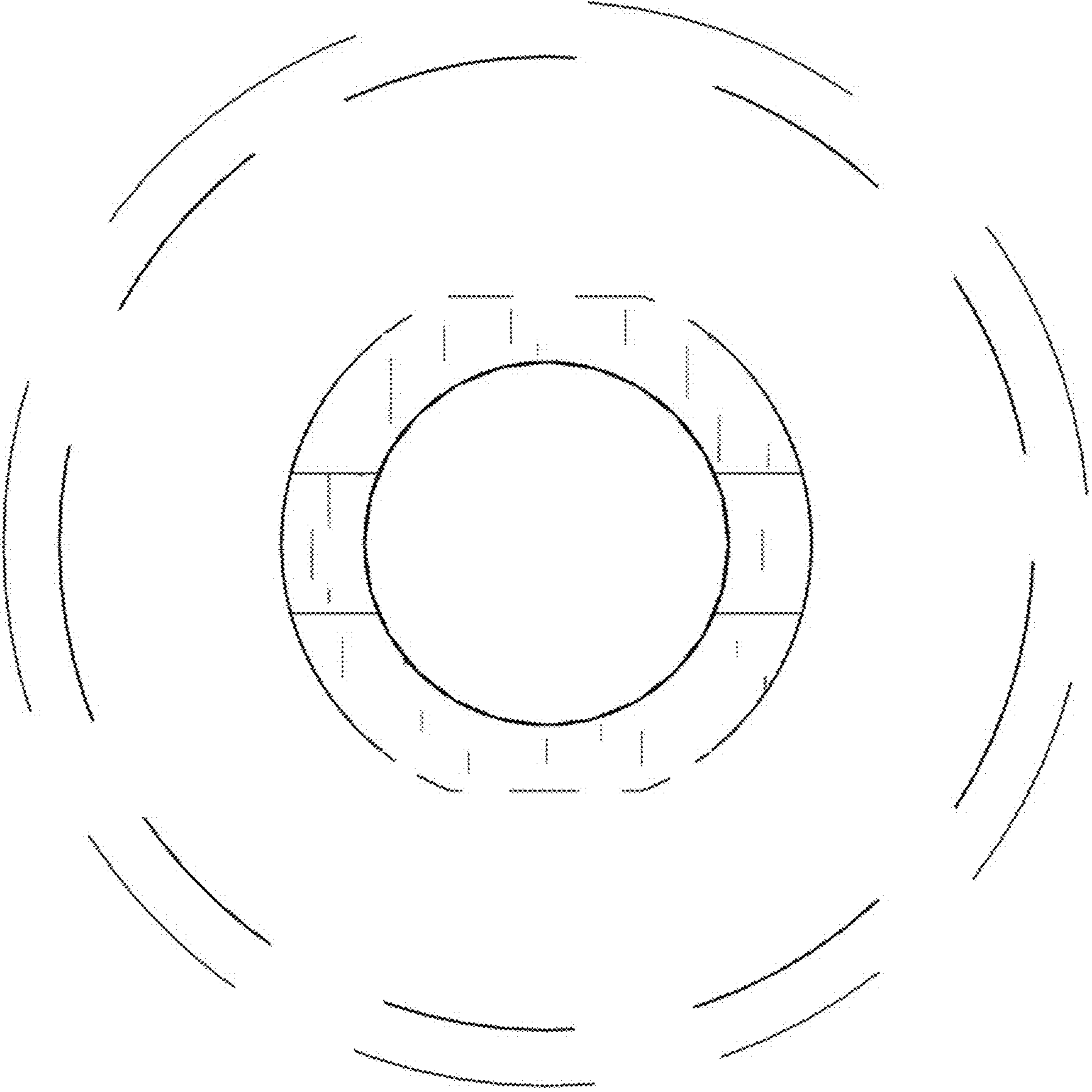
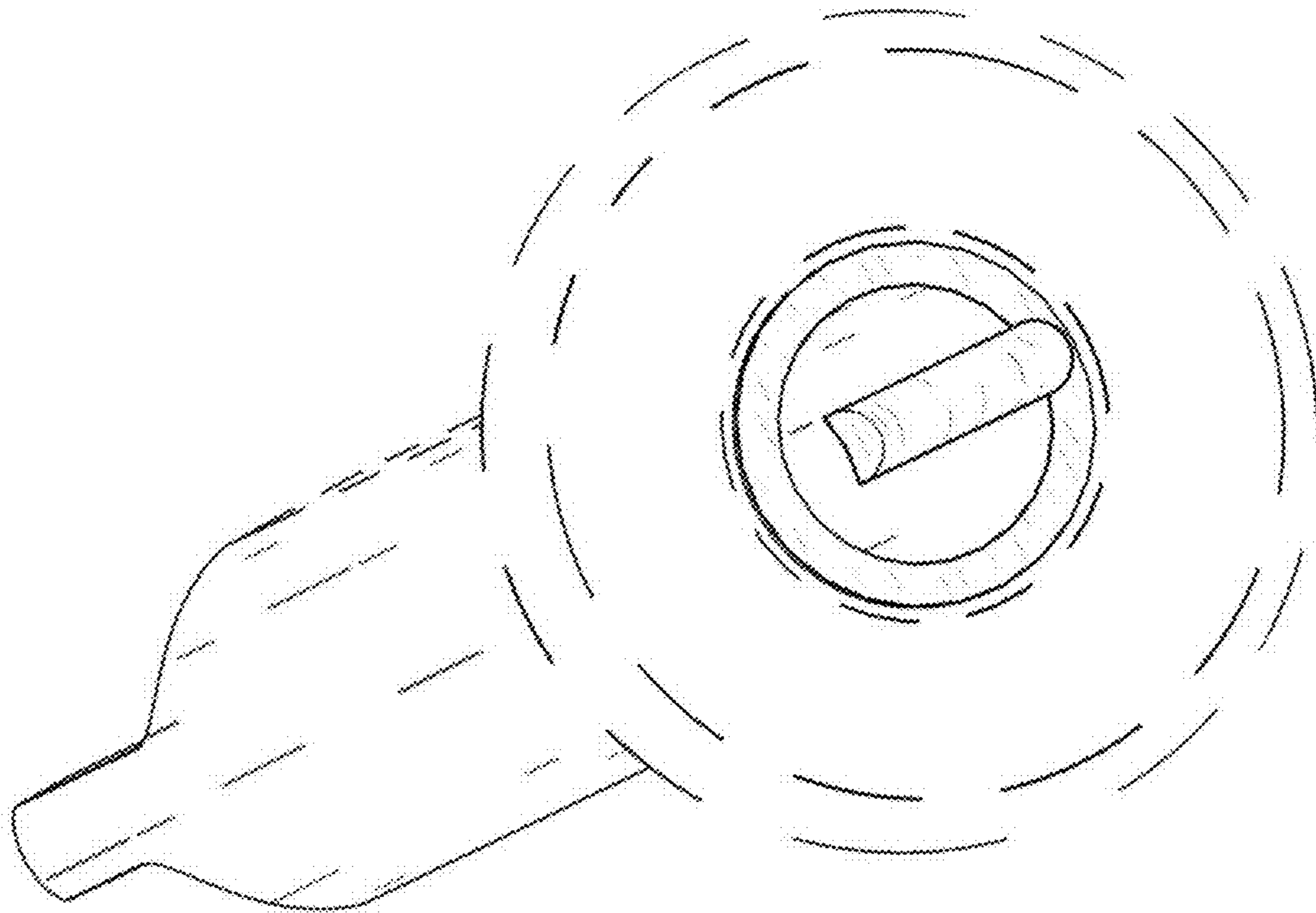


Fig. 10





US00D922568C1

(12) **EX PARTE REEXAMINATION CERTIFICATE** (12799th)
United States Patent
Schifano et al.

(10) **Number:** **US D922,568 C1**
(45) **Certificate Issued:** **Dec. 12, 2024**

(54) **SURGICAL CANNULA**

(71) Applicant: **Orthocision Inc.**, Folsom, CA (US)

(72) Inventors: **Troy Schifano**, Morgantown, WV (US);
Steve Anderson, Folsom, CA (US)

(73) Assignee: **ORTHOCISION, INC.**, Folsom, CA (US)

application No. 14/668,976, filed on Mar. 25, 2015, now Pat. No. 10,993,757.

(51) **LOC (14) Cl.** **24-02**

(52) **U.S. Cl.**
USPC **D24/112**

(58) **Field of Classification Search**
USPC D24/108, 112, 113, 114, 127, 130
CPC A61M 25/0612; A61M 25/0105; A61M 25/0606

See application file for complete search history.

Reexamination Request:

No. 90/019,474, Apr. 8, 2024

Reexamination Certificate for:

Patent No.: **Des. 922,568**
Issued: **Jun. 15, 2021**
Appl. No.: **29/756,232**
Filed: **Oct. 27, 2020**

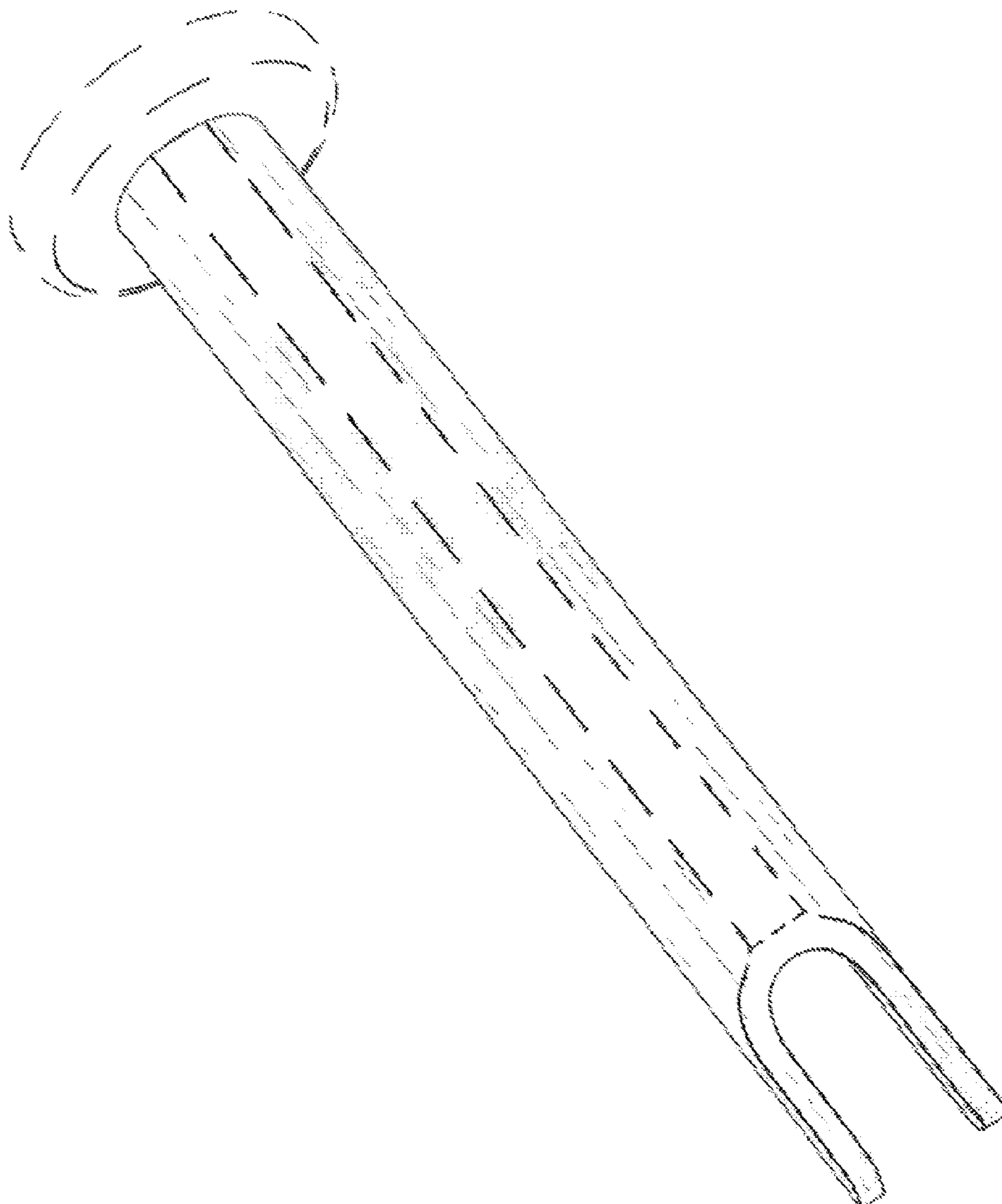
Related U.S. Application Data

(63) Continuation of application No. 29/718,879, filed on Dec. 30, 2019, which is a continuation-in-part of

(56) **References Cited**

To view the complete listing of prior art documents cited during the proceeding for Reexamination Control Number 90/019,474, please refer to the USPTO's Patent Electronic System.

Primary Examiner — Philip S Hyder



1
EX PARTE
REEXAMINATION CERTIFICATE

NO AMENDMENTS HAVE BEEN MADE TO 5
THE PATENT

AS A RESULT OF REEXAMINATION, IT HAS BEEN
DETERMINED THAT:

The patentability of claim 1 is confirmed. 10

* * * * *