

US00D922566S

(12) **United States Design Patent** (10) **Patent No.:** **US D922,566 S**
Ono (45) **Date of Patent:** **** Jun. 15, 2021**

(54) **AUTO INJECTOR**
(71) Applicant: **NiPPharma Co., Ltd.**, Tokyo (JP)
(72) Inventor: **Shinichi Ono**, Tokyo (JP)
(73) Assignee: **NiPPharma Co., Ltd.**, Tokyo (JP)
(**) Term: **15 Years**
(21) Appl. No.: **29/701,704**
(22) Filed: **Aug. 14, 2019**

D898,189 S * 10/2020 Boyaval D24/113
D898,900 S * 10/2020 Atterbury D24/113
D900,309 S * 10/2020 Ono D24/112

FOREIGN PATENT DOCUMENTS

JP D1401279 11/2010
JP D1401280 11/2010
JP D1401282 11/2010
JP D1401283 11/2010
JP D1454649 11/2012
JP D1464595 3/2013
JP D1464599 3/2013
JP D1476385 8/2013
JP D1492294 3/2014
JP D1499457 6/2014
JP D1504324 8/2014
JP D1526558 6/2015
JP D1526983 6/2015
JP D1527330 6/2015
JP D1527331 6/2015
JP D1530981 8/2015

(30) **Foreign Application Priority Data**
Feb. 15, 2019 (JP) 2019-002994

(51) **LOC (13) Cl.** **24-02**
(52) **U.S. Cl.**
USPC **D24/112**

(58) **Field of Classification Search**
USPC D24/112-114, 108, 133, 130, 127, 186;
606/181, 185; 604/264, 272, 187, 181,
604/184, 227
CPC A61M 5/178; A61M 3/00; A61M 5/20;
A61M 5/31; A61M 5/3146; A61M
5/3129; A61M 5/3148; A61M 5/315
See application file for complete search history.

(Continued)

Primary Examiner — David G Muller
(74) *Attorney, Agent, or Firm* — Pyprus Pte Ltd

(57) **CLAIM**

The ornamental design for an auto injector, as shown and described.

(56) **References Cited**

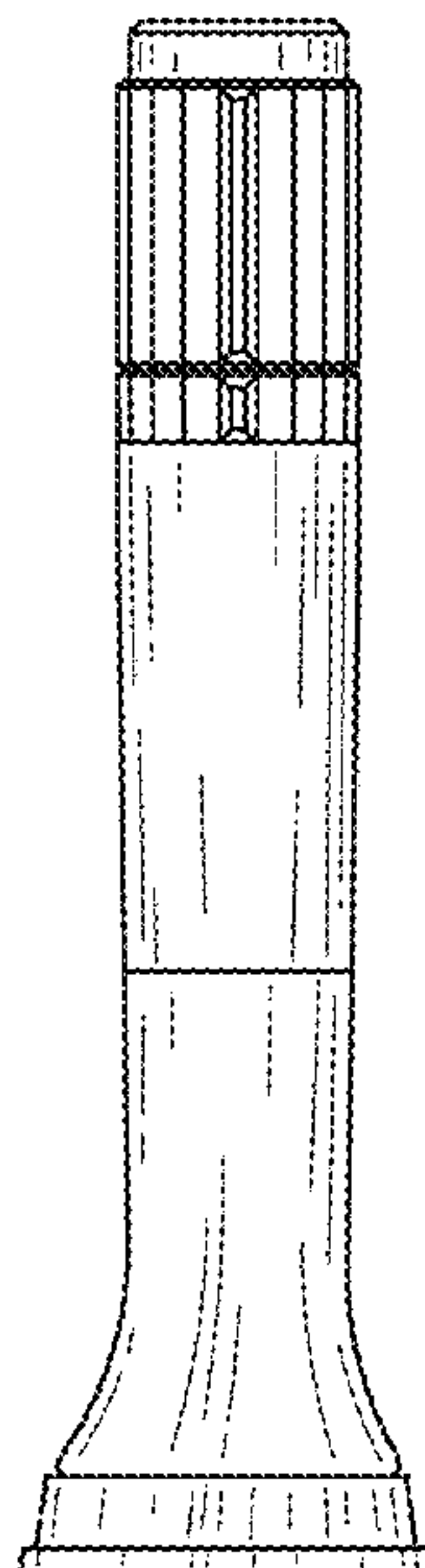
U.S. PATENT DOCUMENTS

D696,775 S * 12/2013 Guarraia D24/113
D697,205 S * 1/2014 Schneider D24/113
D773,651 S * 12/2016 Chen D24/113
D819,198 S * 5/2018 Boyaval D24/113
D819,200 S * 5/2018 Stonecipher D24/114
D881,392 S * 4/2020 Pujara D24/130
D883,475 S * 5/2020 Boyaval D24/117
D893,018 S * 8/2020 Fuentes-Ortega D24/112
D893,020 S * 8/2020 Saint D24/113
D897,184 S * 9/2020 Perkins, Jr. D8/303

DESCRIPTION

FIG. 1 is a front elevation view of an auto injector, showing my new design;
FIG. 2 is a back elevation view thereof;
FIG. 3 is a left side elevation view thereof;
FIG. 4 is a right side elevation view thereof;
FIG. 5 is a top plan view thereof;
FIG. 6 is a bottom plan view thereof; and,
FIG. 7 is a perspective view thereof.

1 Claim, 7 Drawing Sheets



(56)

References Cited

FOREIGN PATENT DOCUMENTS

JP	D1532501	8/2015
JP	D1532502	8/2015
JP	D1539099	11/2015
JP	D1556736	8/2016
JP	D1564923	12/2016
JP	D1568655	2/2017
JP	D1577070	5/2017
JP	D1607619	6/2018

* cited by examiner

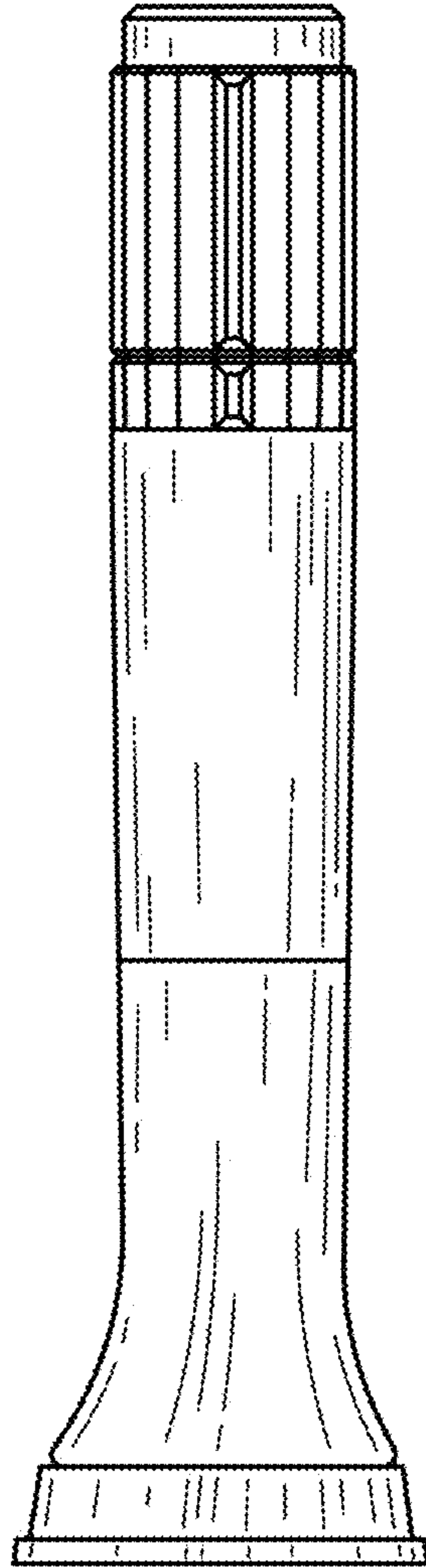


FIG. 1

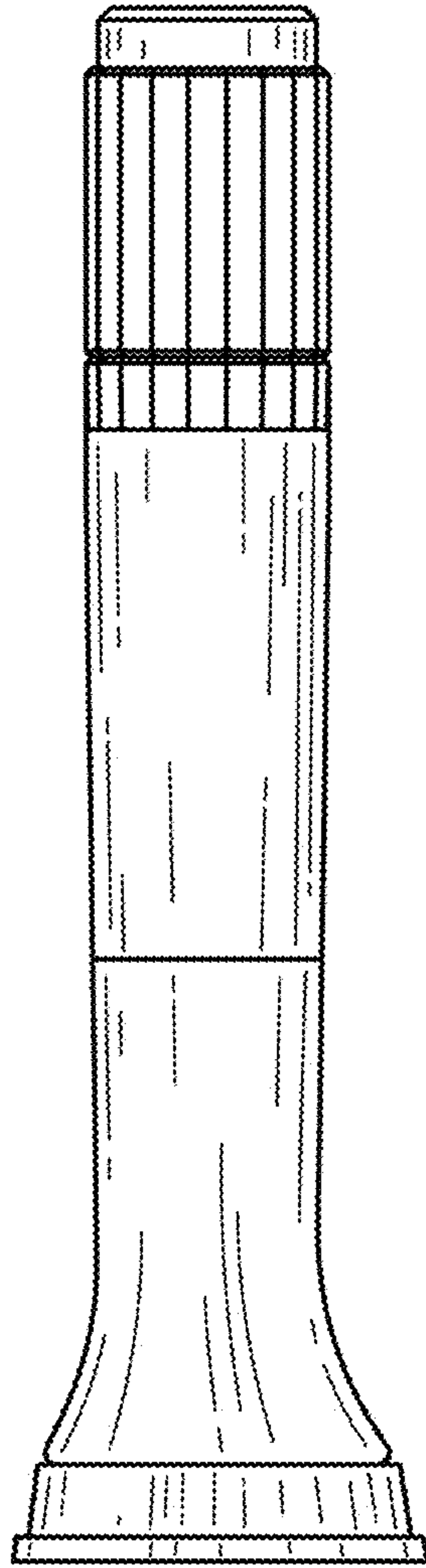


FIG. 2

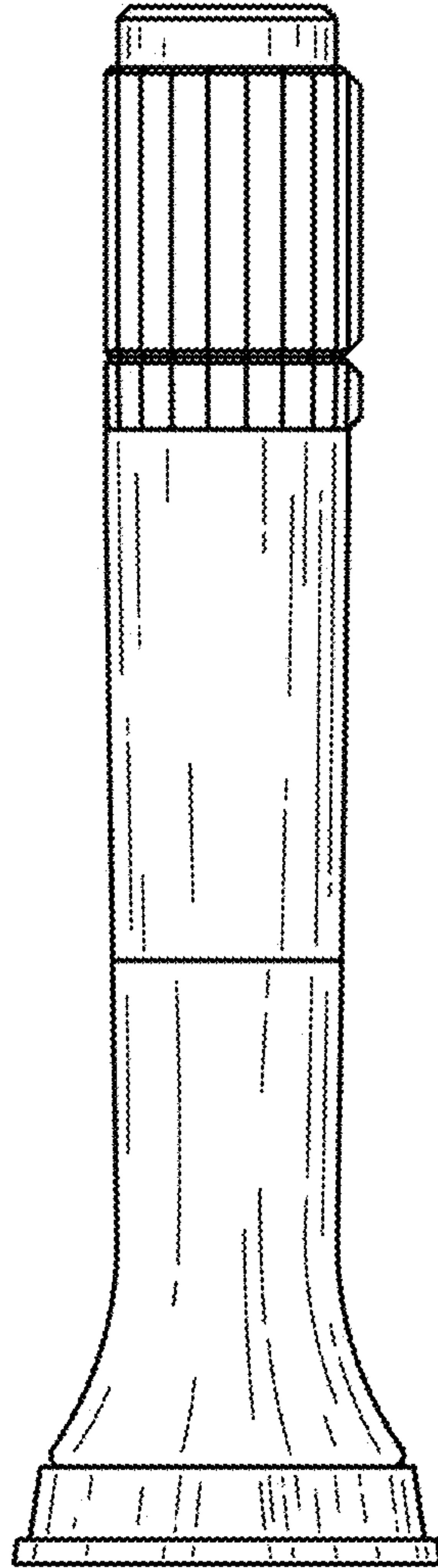


FIG. 3

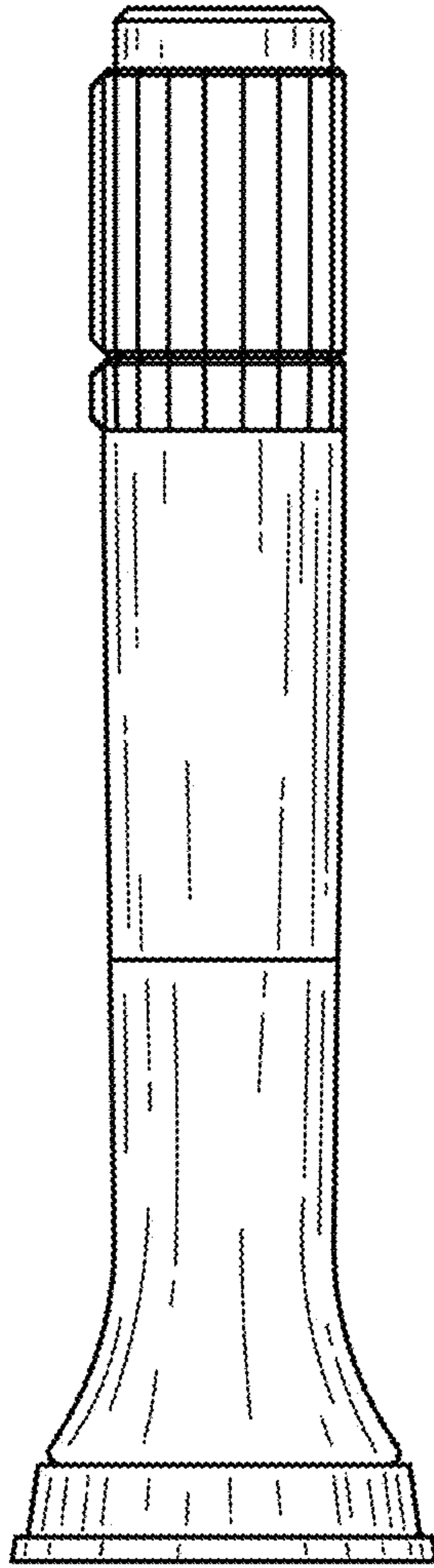


FIG. 4

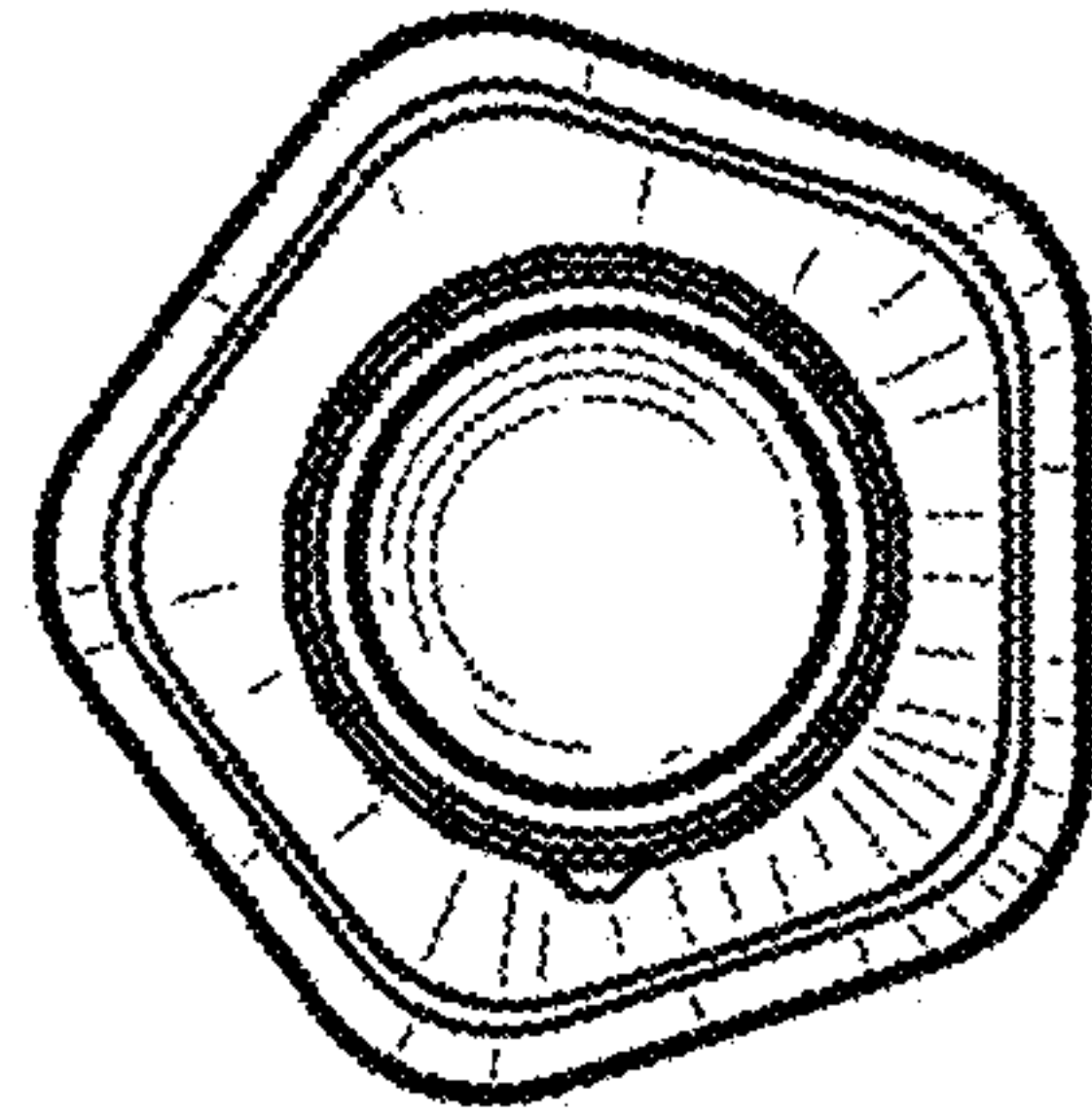


FIG. 5

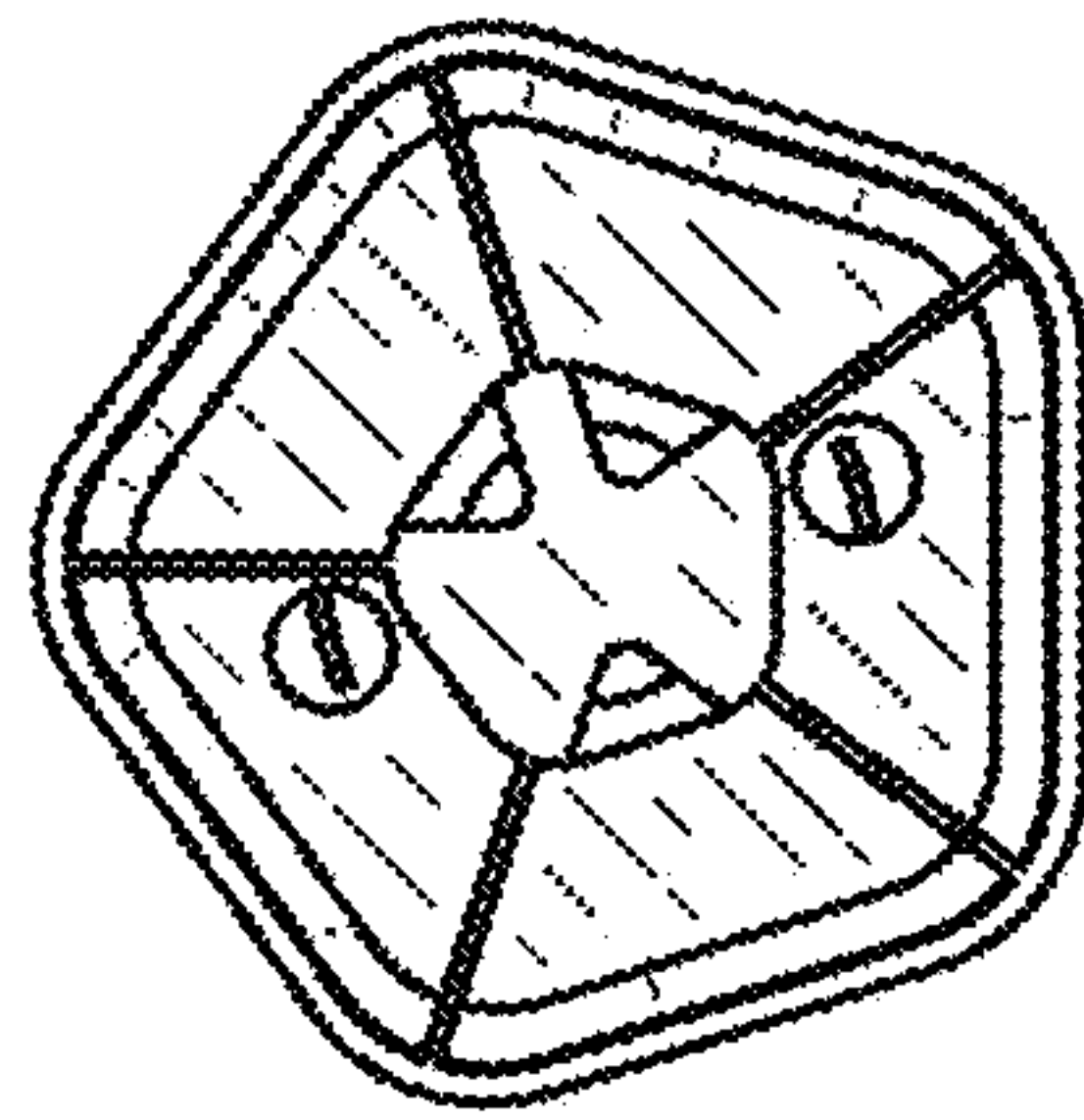


FIG. 6

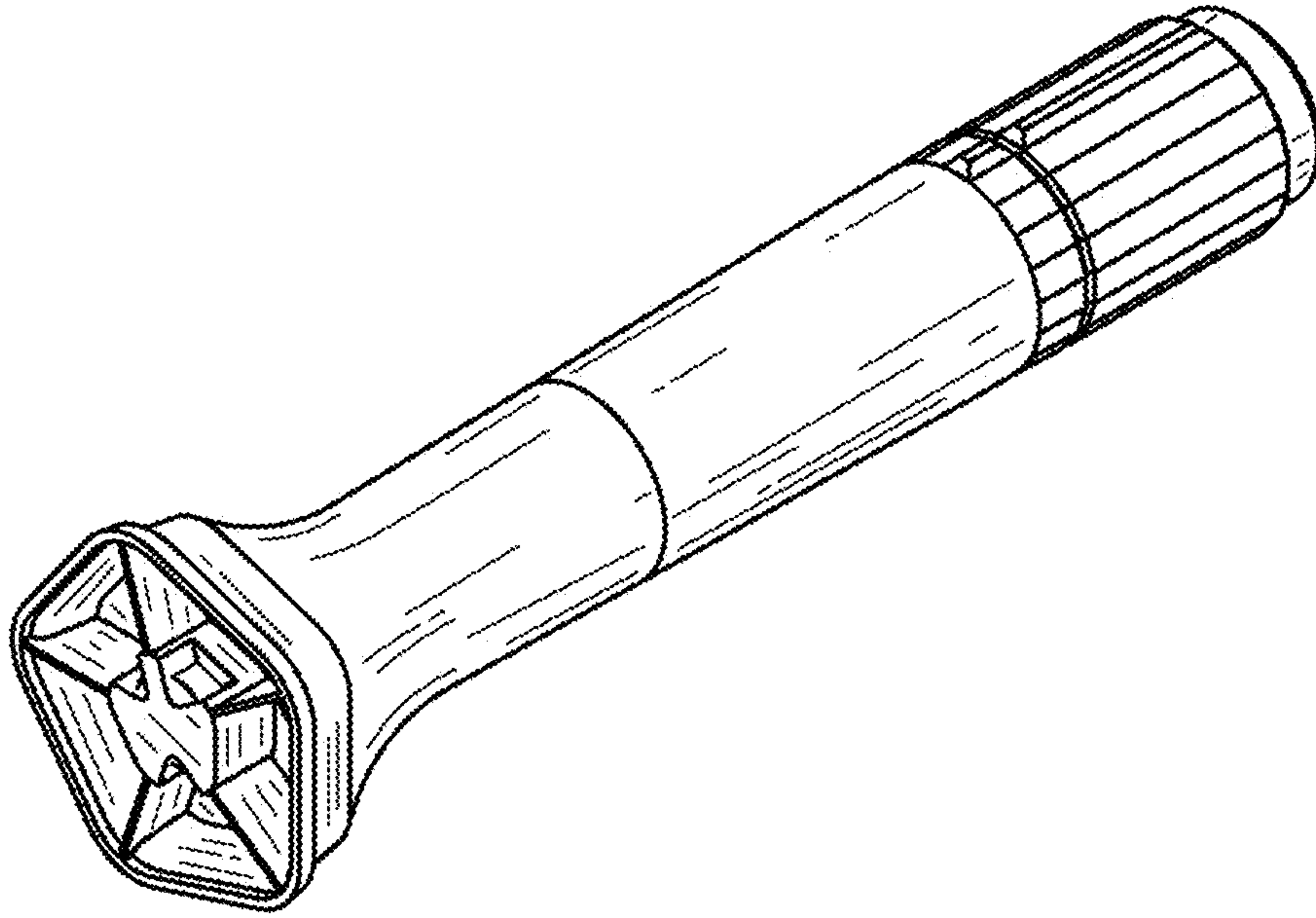


FIG. 7