



US00D922562S

(12) **United States Design Patent** (10) **Patent No.:** **US D922,562 S**
Hulford et al. (45) **Date of Patent:** **** *Jun. 15, 2021**

(54) **MEDICAL DEVICE BUTTONS ASSEMBLY**

Primary Examiner — Aula Soroush

(71) Applicant: **Intuitive Surgical Operations, Inc.**,
Sunnyvale, CA (US)

(74) *Attorney, Agent, or Firm* — Haynes and Boone, LLP

(72) Inventors: **Timothy B. Hulford**, Burlingame, CA (US); **Robert B. Hubler**, Woodinville, WA (US); **Elie Eyrarn Ahovi**, San Francisco, CA (US); **Craig Tsuji**, San Jose, CA (US); **Edward P. Donlon**, San Jose, CA (US)

(57) **CLAIM**

The ornamental design for a medical device buttons assembly, as shown and described.

(73) Assignee: **INTUITIVE SURGICAL OPERATIONS, INC.**, Sunnyvale, CA (US)

DESCRIPTION

(*) Notice: This patent is subject to a terminal disclaimer.

(**) Term: **15 Years**

(21) Appl. No.: **29/581,072**

(22) Filed: **Oct. 14, 2016**

(51) **LOC (13) Cl.** **24-02**

(52) **U.S. Cl.**
USPC **D24/111**

(58) **Field of Classification Search**
USPC D24/107–109, 111–113, 127, 101, D24/163–165, 152, 176; D4/100–102, D4/138; D3/203.1, 201, 200, 203.6; D9/432, 414; D23/356, 359, 360, 386
CPC A61C 17/0205; A61C 17/0202; A61C 17/224; A61C 17/20; A61C 17/005; A61C 17/028; A61C 17/02; A61C 17/036; A61C 17/00; A61C 17/0211; A61C 17/0214;
(Continued)

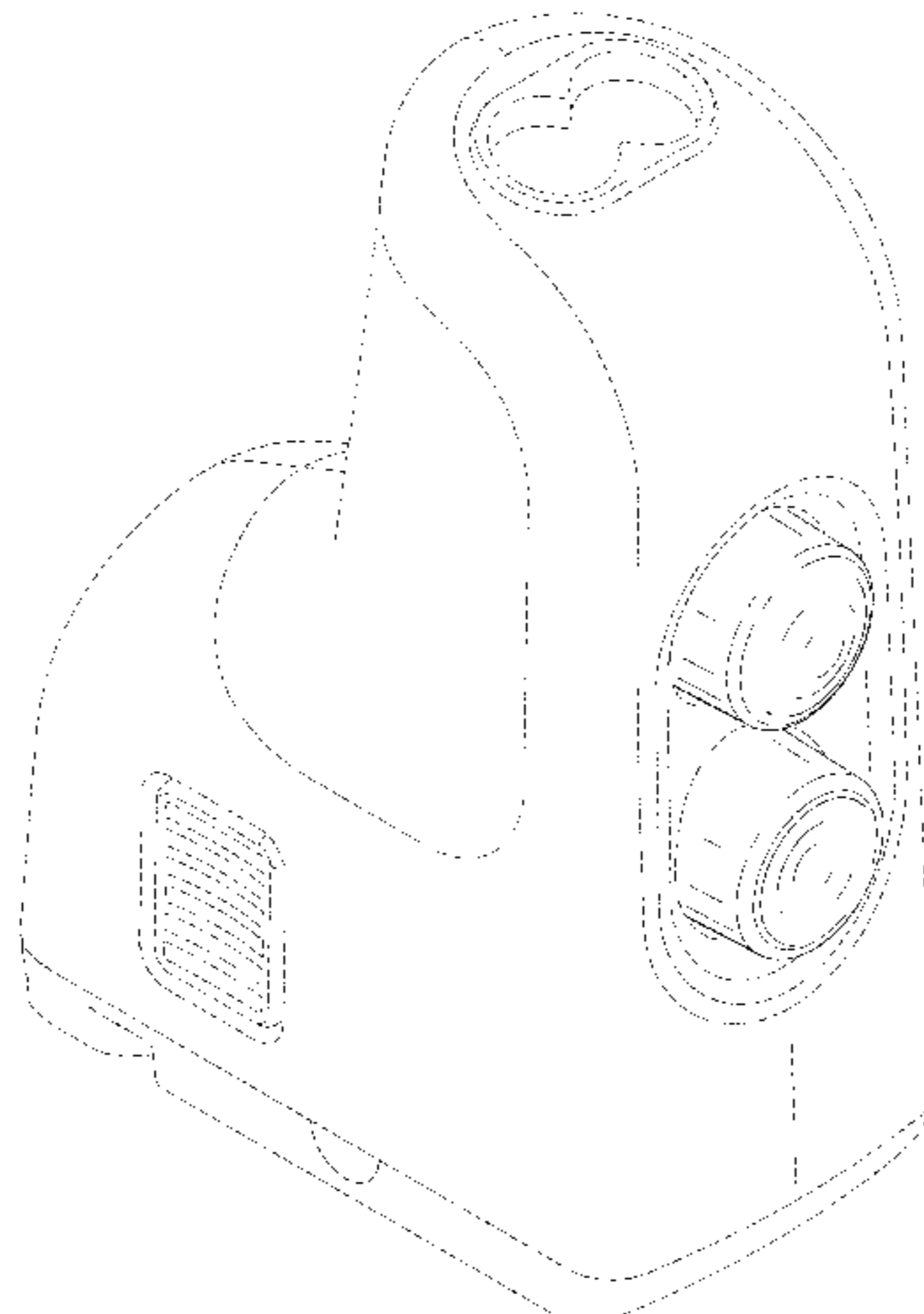
FIG. 1 is a front perspective view of a medical device portion that incorporates the new design for a medical device buttons assembly;
FIG. 2 is a front elevation view of the medical device portion of FIG. 1 that incorporates the new design;
FIG. 3 is a rear elevation view of the medical device portion of FIG. 1, which does not form part of the new design;
FIG. 4 is a left elevation view of the medical device portion of FIG. 1 that incorporates the new design;
FIG. 5 is a right elevation view of the medical device portion of FIG. 1 that incorporates the new design;
FIG. 6 is a top view of the medical device portion of FIG. 1 that incorporates the new design;
FIG. 7 is a bottom view of the medical device portion of FIG. 1 that incorporates the new design;
FIG. 8 is an enlarged portion of FIG. 10;
FIG. 9 is an enlarged portion of FIG. 11;
FIG. 10 is a top perspective view of the medical device portion of FIG. 1 that incorporates the new design; and,
FIG. 11 is a bottom perspective view of the medical device portion of FIG. 1 that incorporates the new design.
The broken lines in FIGS. 1-11 illustrate portions of a medical device that form no part of the claimed design.
The dash-dot lines in FIGS. 8 and 10 indicate the boundary of the enlarged portion of FIG. 10 and form no part of the claimed design.
The dash-dot lines in FIGS. 9 and 11 indicate the boundary of the enlarged portion of FIG. 11 and form no part of the claimed design.

(56) **References Cited**

U.S. PATENT DOCUMENTS

2,489,845 A * 11/1949 Zedler A47G 33/12
248/205.5
D365,605 S * 12/1995 Jensen D14/416
(Continued)

1 Claim, 11 Drawing Sheets



(58) **Field of Classification Search**

CPC A61C 17/28; A61C 17/043; A61C 17/22;
A61C 17/222; A61C 17/225

See application file for complete search history.

(56) **References Cited**

U.S. PATENT DOCUMENTS

D404,673	S	*	1/1999	Gordon	D10/118
D419,963	S	*	2/2000	Wang	D13/158
D420,539	S	*	2/2000	Tedesco	D13/171
D421,305	S	*	2/2000	Brilliant	D24/176
D421,966	S	*	3/2000	Allen	D13/174
D446,522	S	*	8/2001	Han	D14/402
D481,687	S	*	11/2003	Moriya	D13/171
D524,812	S	*	7/2006	Hussaini	D14/413
D531,586	S	*	11/2006	Poulet	D13/168
D551,230	S	*	9/2007	Lau	D14/401
D593,674	S	*	6/2009	Fedenia	D24/108
D601,694	S	*	10/2009	Rocklin	D24/111
D646,335	S	*	10/2011	Daniel	D21/333
D684,685	S	*	6/2013	Schneider	D24/108
D690,815	S	*	10/2013	Uozumi	D24/165
D760,842	S	*	7/2016	Won	D14/418
D771,800	S	*	11/2016	Engelhard	D24/110
D772,037	S	*	11/2016	Zimmer	D8/310
D788,526	S	*	6/2017	Weaden	D7/378
D793,808	S	*	8/2017	Weaden	D7/378
D797,542	S	*	9/2017	Block	D8/310
D798,490	S	*	9/2017	Haines	D26/104
D804,341	S	*	12/2017	Rowland	D10/96

* cited by examiner

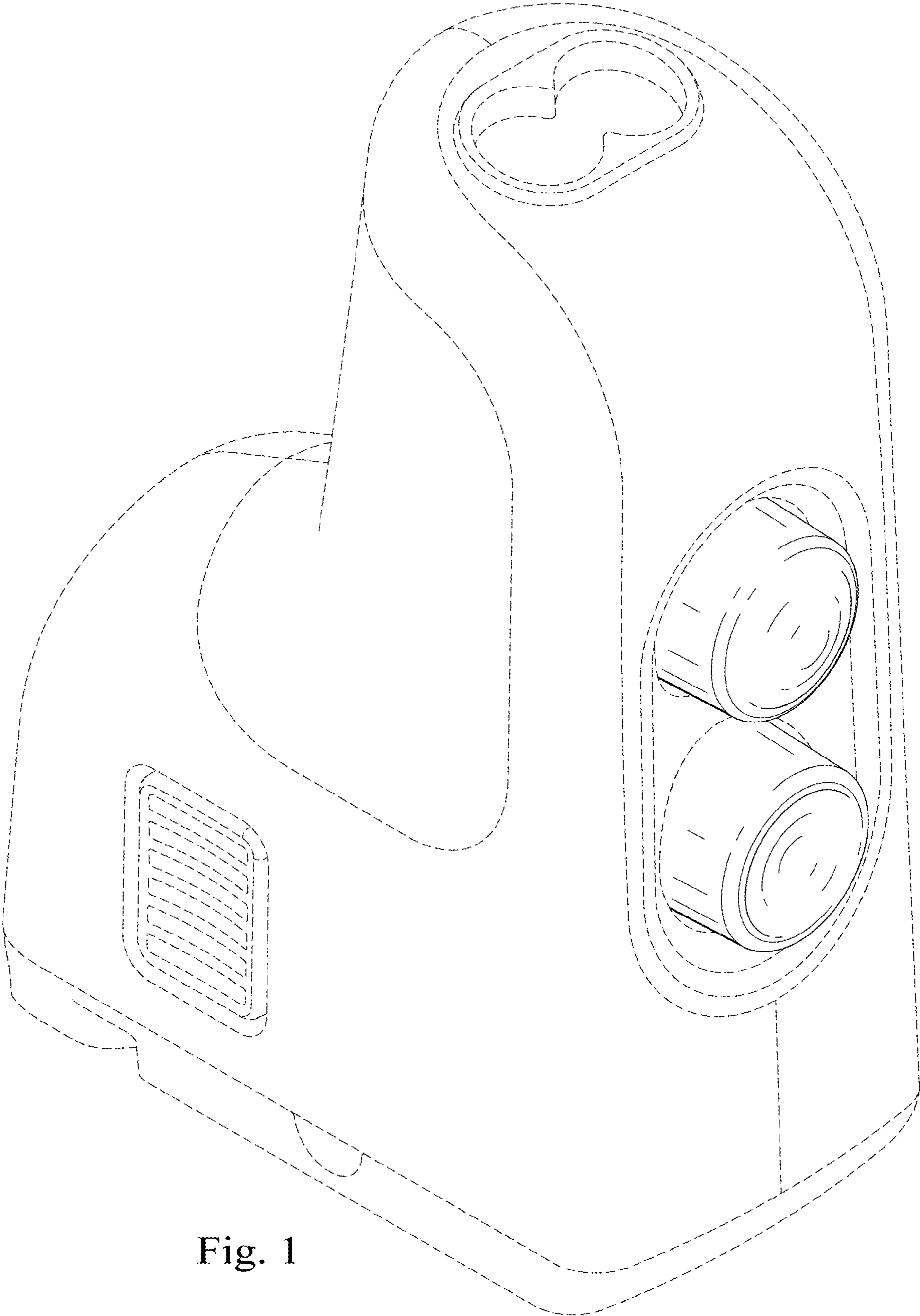


Fig. 1

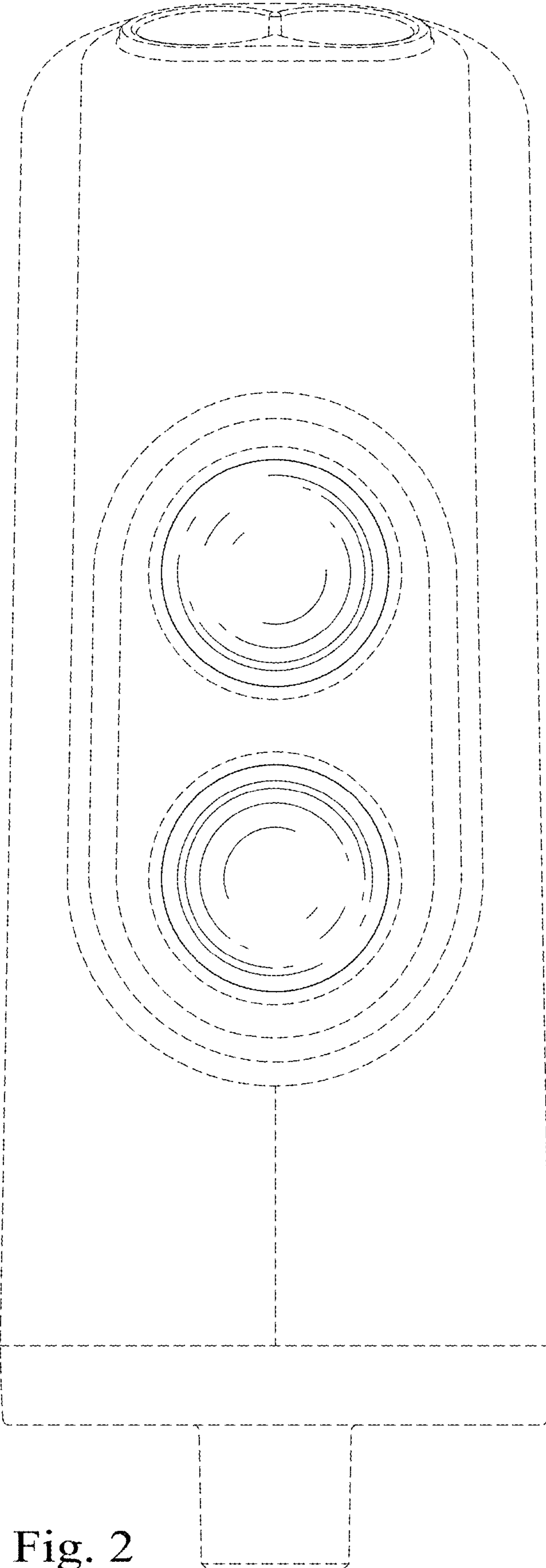


Fig. 2

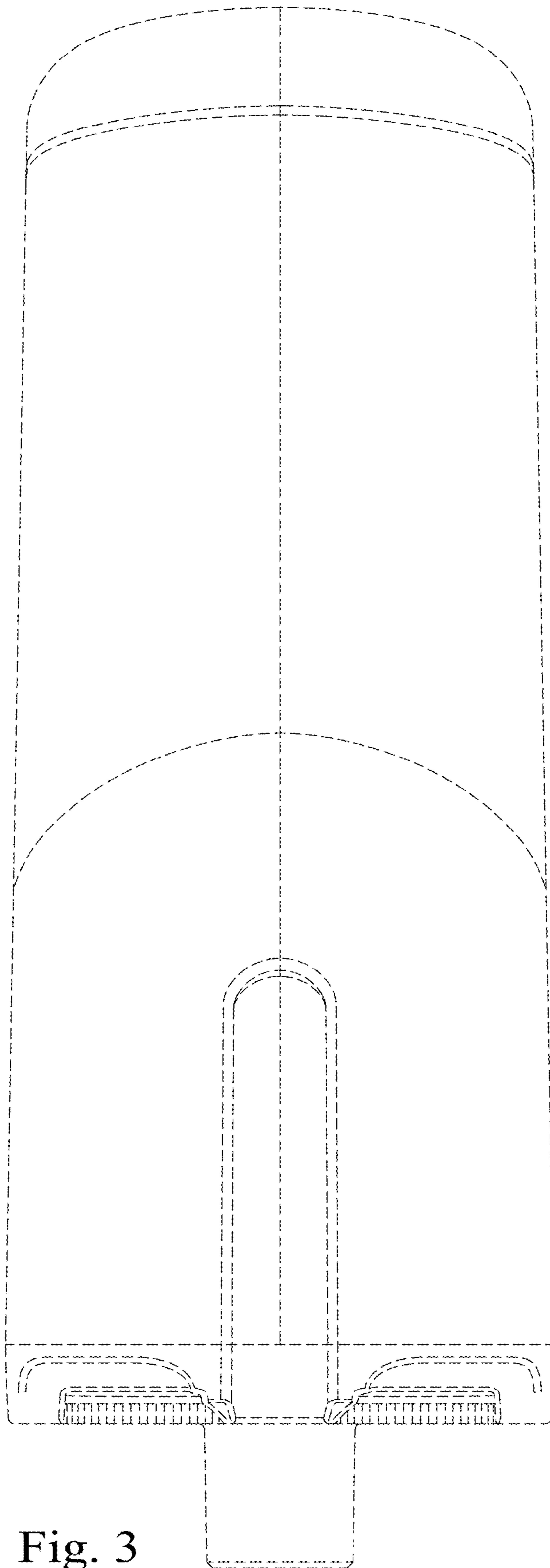


Fig. 3

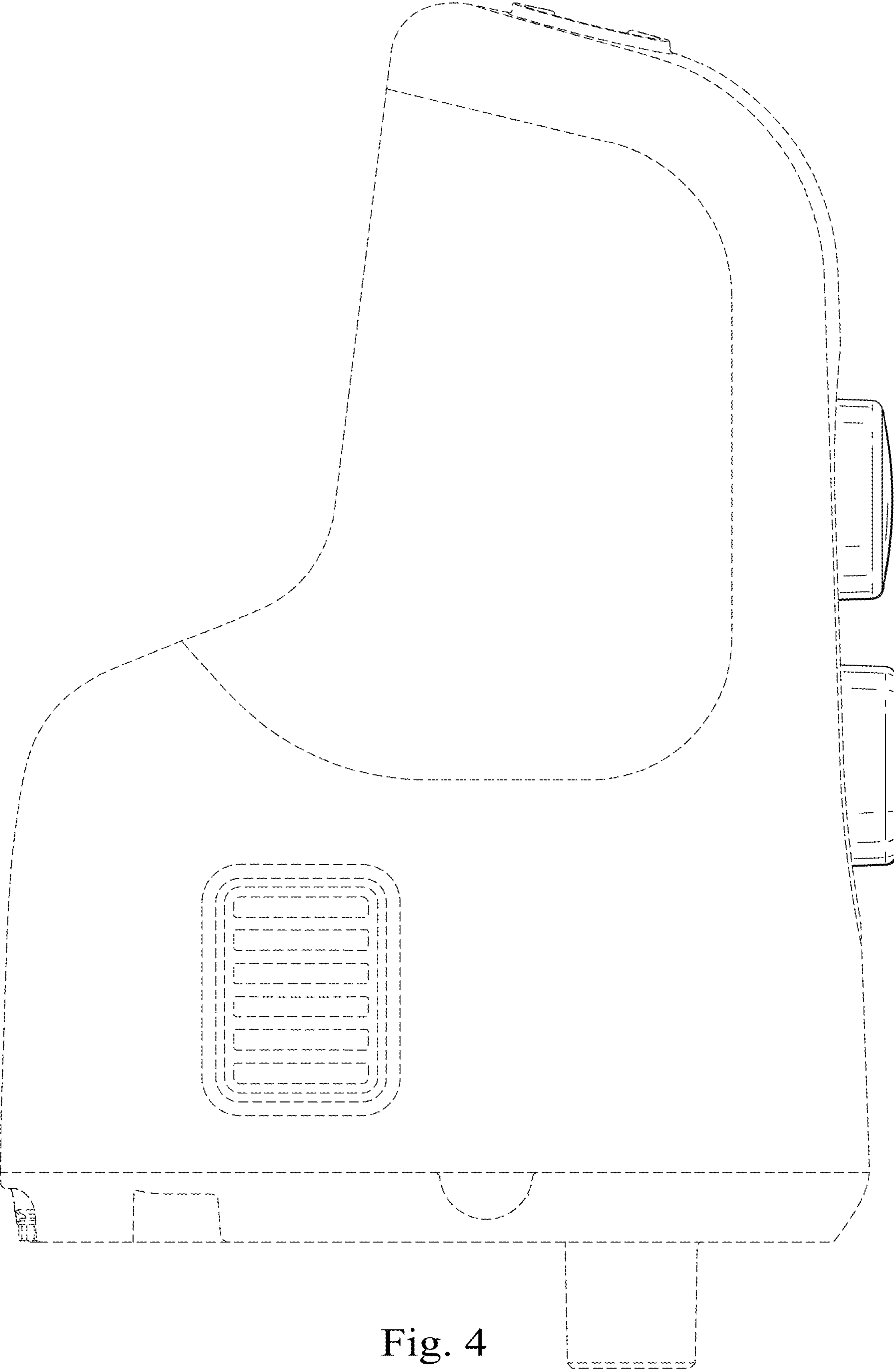
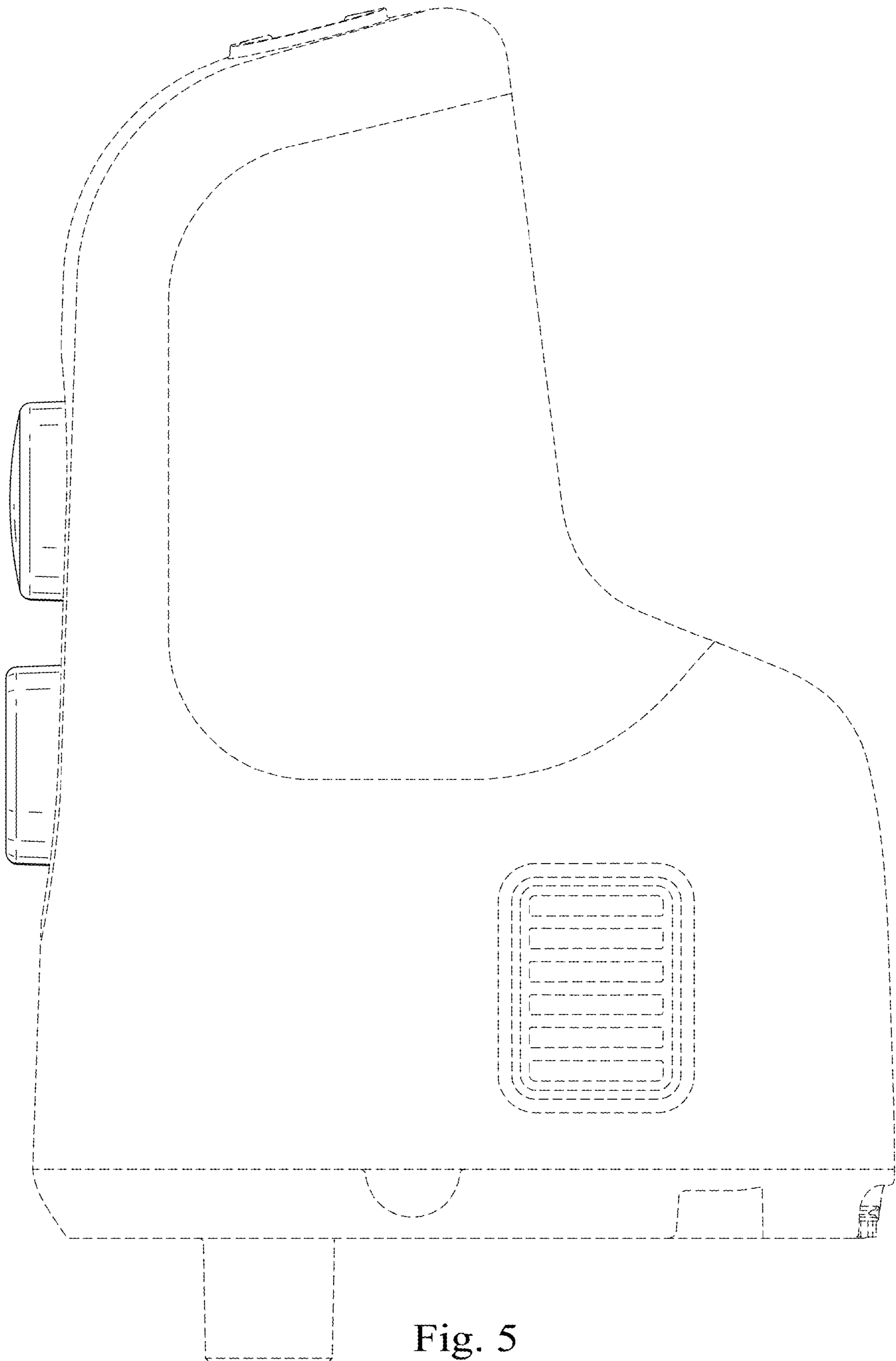


Fig. 4



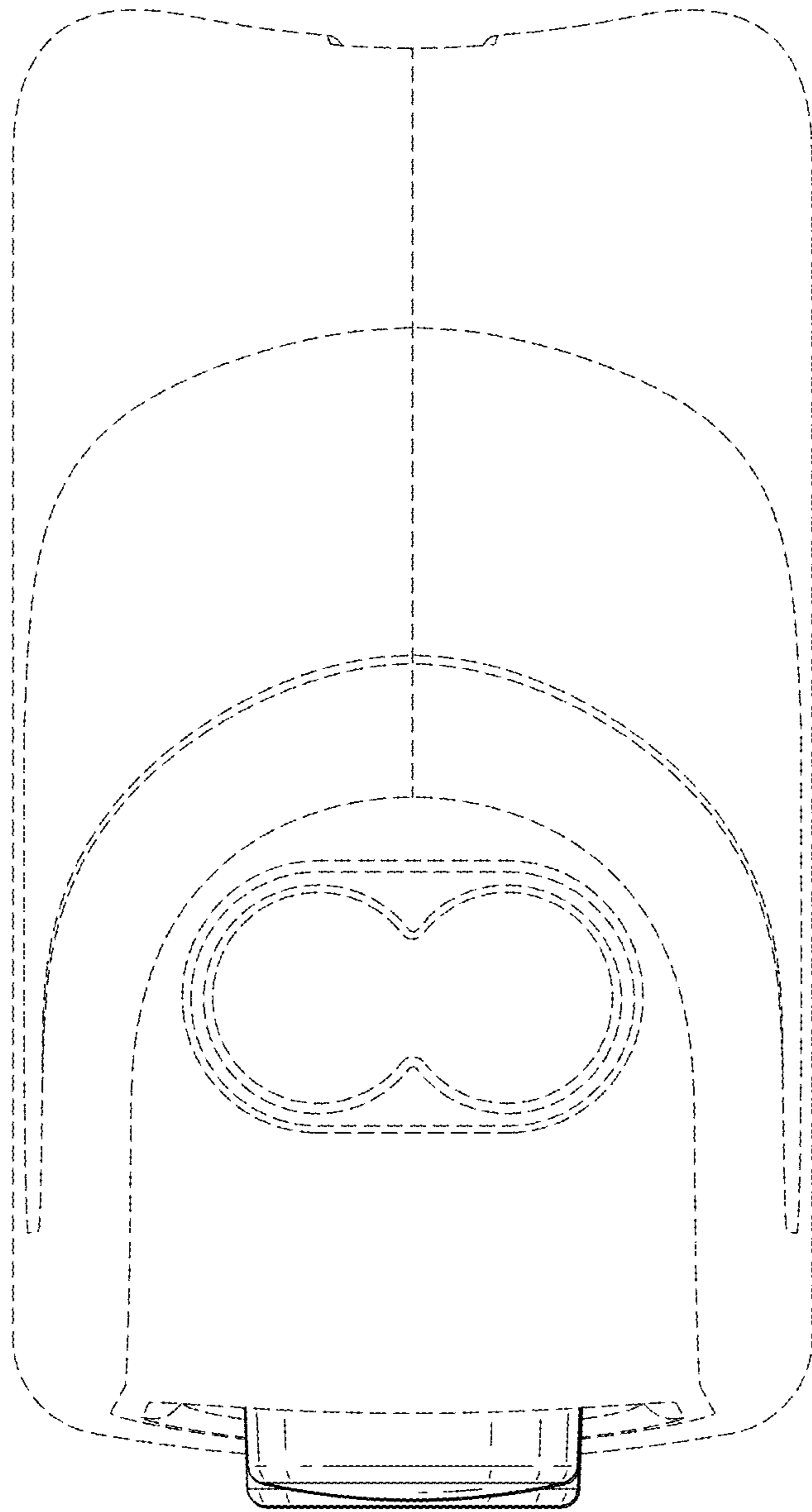


Fig. 6

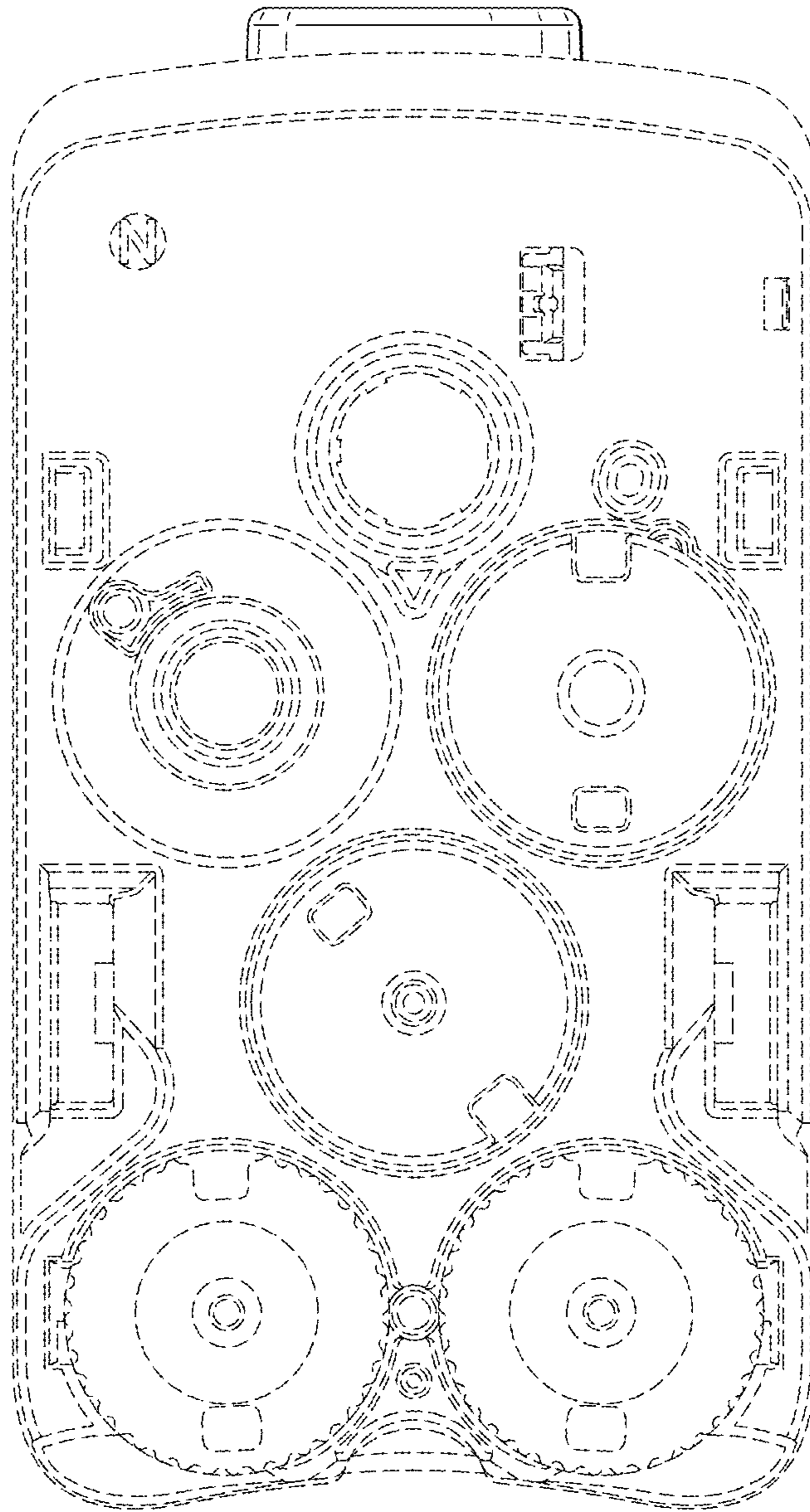


Fig. 7

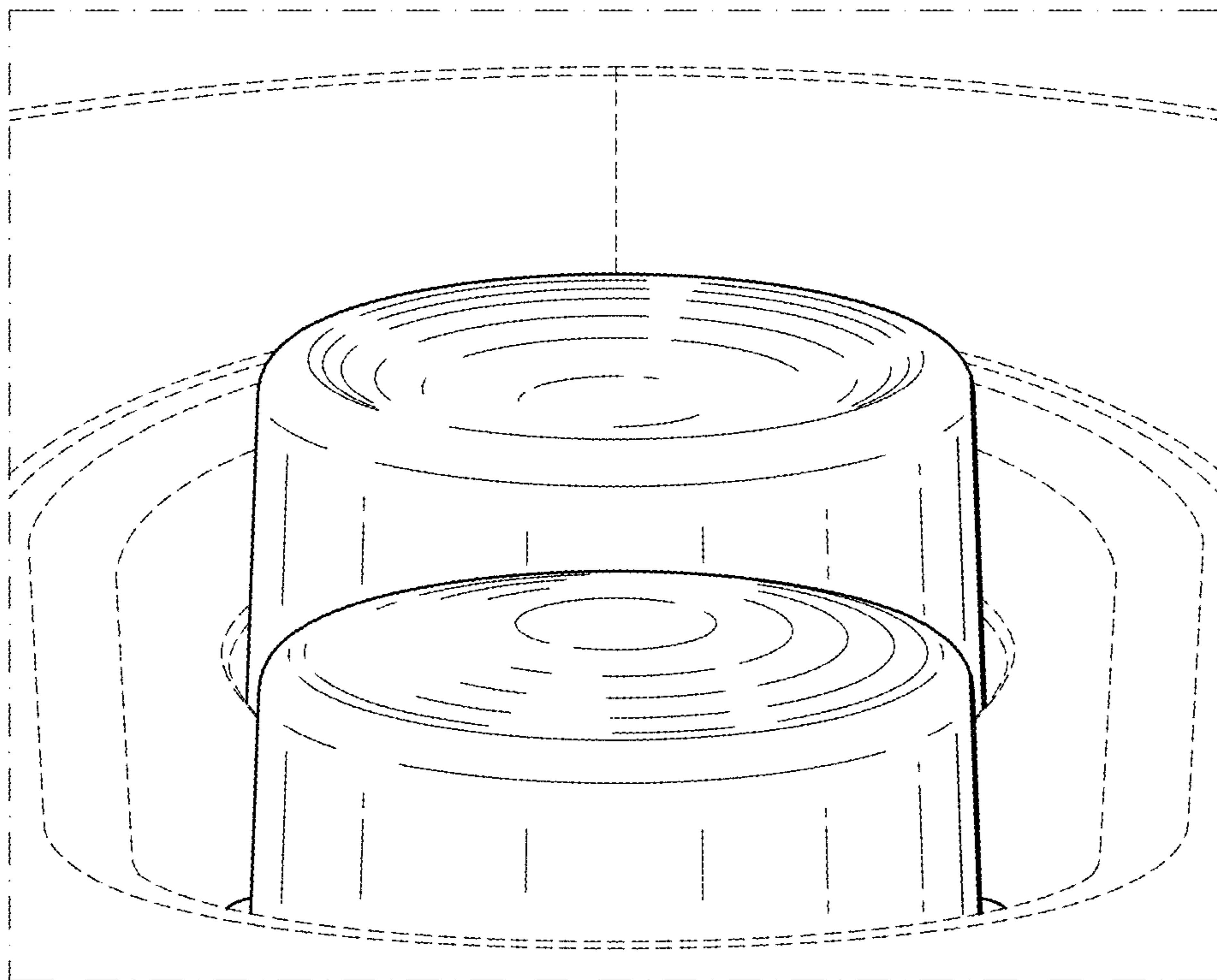


Fig. 8

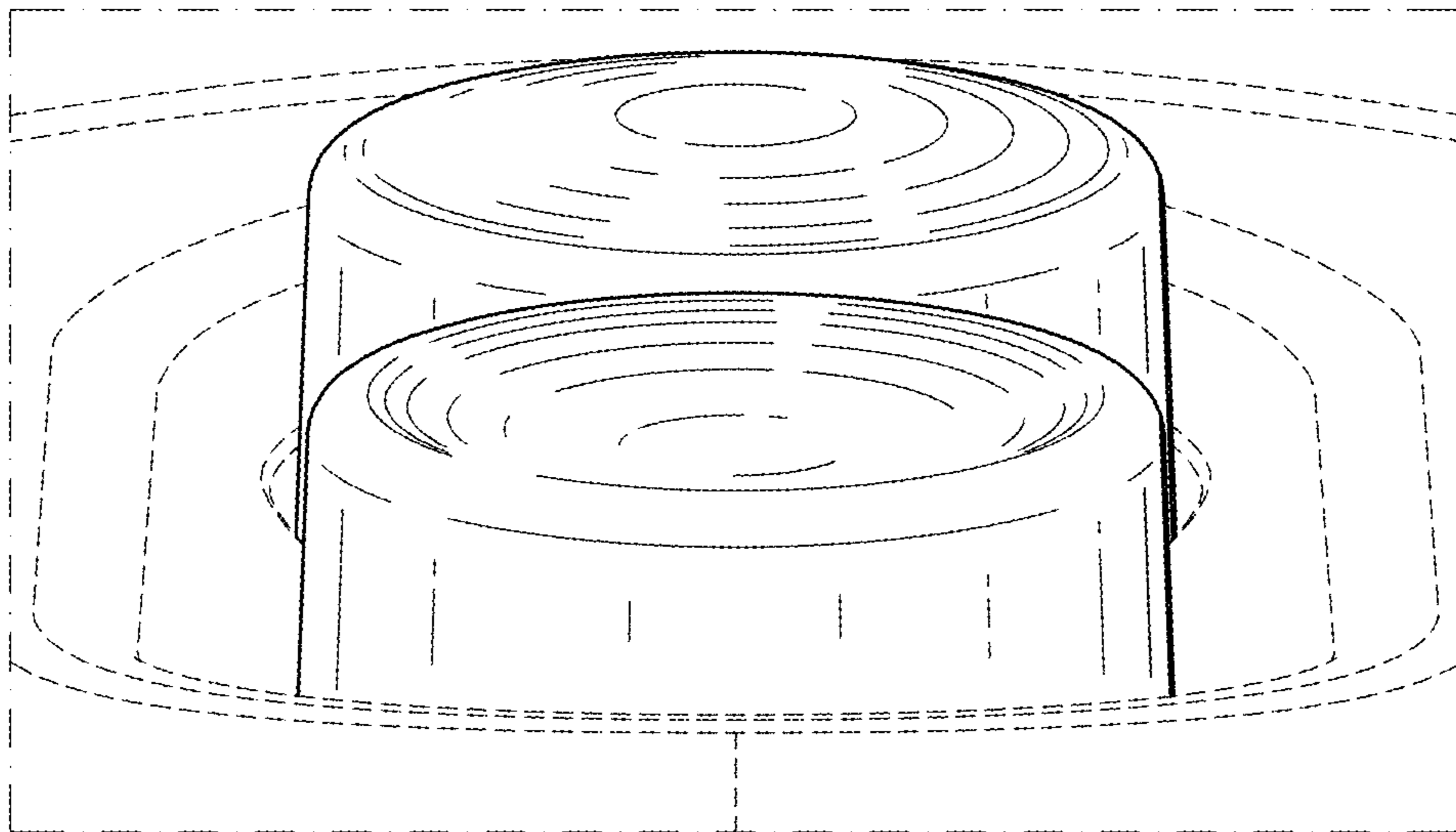


Fig. 9

Fig. 8

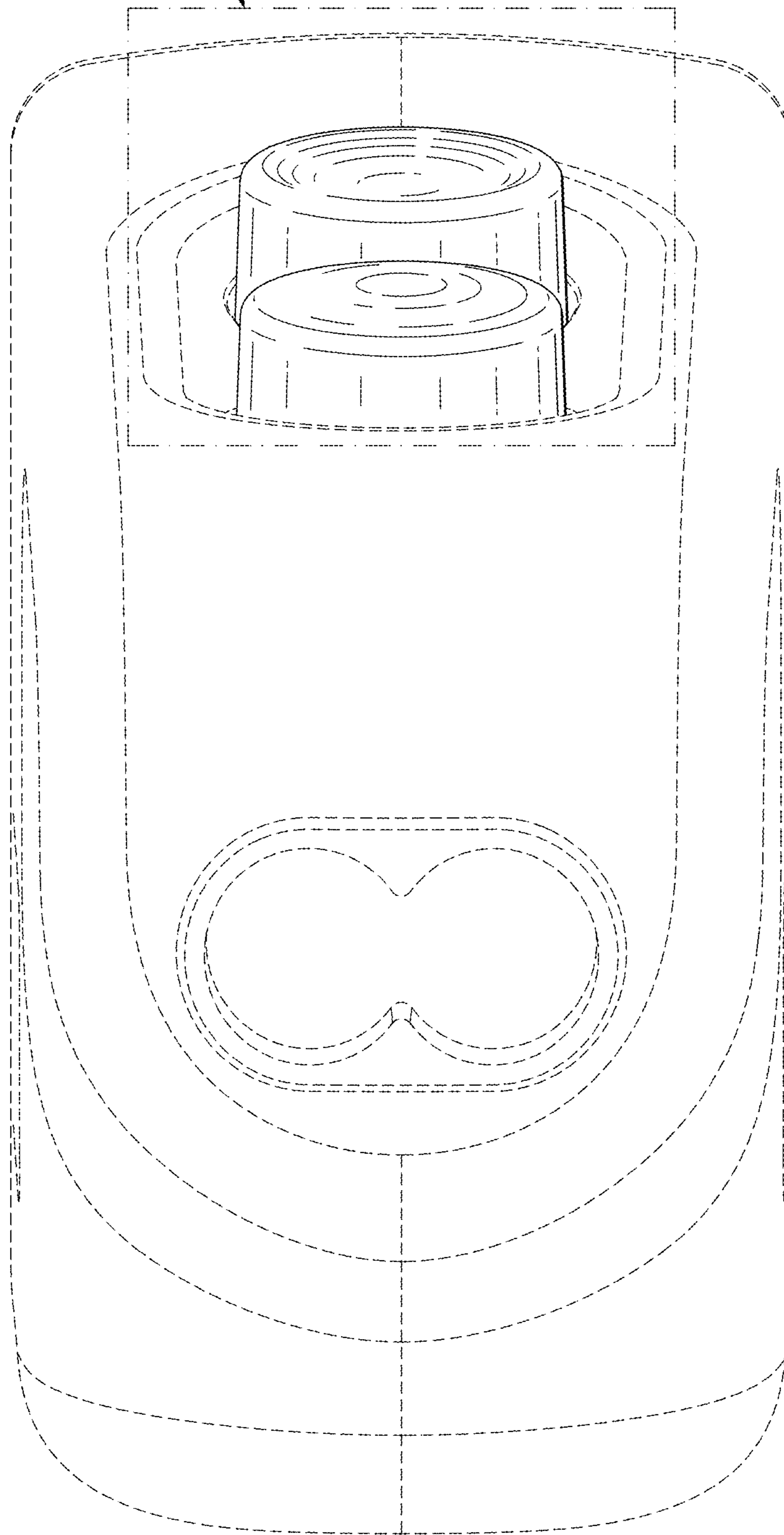


Fig. 10

Fig. 9

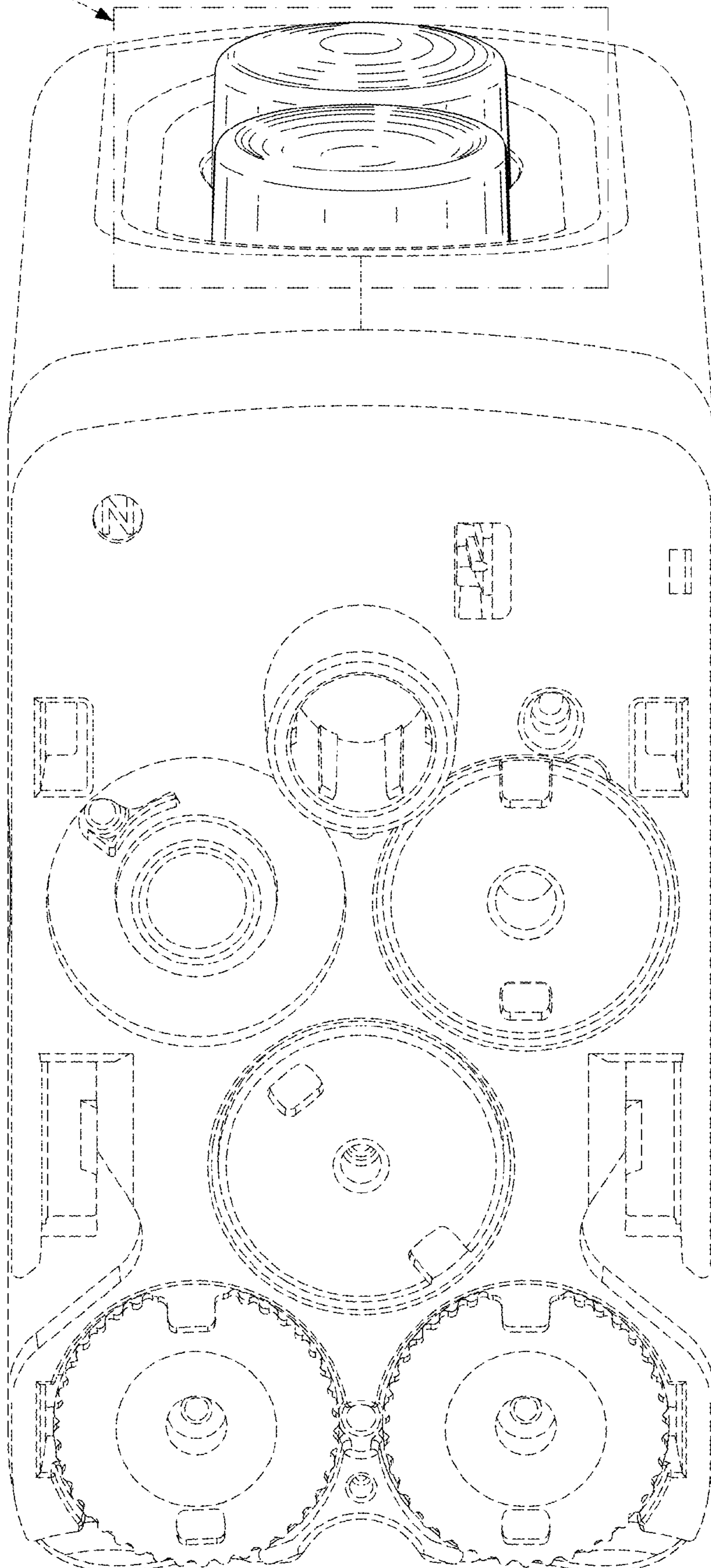


Fig. 11