



US00D922561S

(12) **United States Design Patent** (10) **Patent No.:** **US D922,561 S**  
**Othel-Jacobsen** (45) **Date of Patent:** **\*\* Jun. 15, 2021**

(54) **BREATHING DEVICE**  
(71) Applicant: **BalancAir ApS**, Kgs. Lyngby (DK)  
(72) Inventor: **Erik Othel-Jacobsen**, Kgs. Lyngby (DK)

(\*\*) Term: **15 Years**

(21) Appl. No.: **35/507,537**

(22) Filed: **Jan. 25, 2019**

(80) **Hague Agreement Data**

Int. Filing Date: **Jan. 25, 2019**  
Int. Reg. No.: **DM/203521**  
Int. Reg. Date: **Jan. 25, 2019**  
Int. Reg. Pub. Date: **Oct. 25, 2019**

(30) **Foreign Application Priority Data**

Jul. 25, 2018 (EM) ..... 005514049

(51) **LOC (13) Cl.** ..... **29-02**

(52) **U.S. Cl.**  
USPC ..... **D24/110**

(58) **Field of Classification Search**  
USPC ..... D24/108, 110, 112-114, 127, 130, 107, D24/164  
CPC . A61M 15/08; A61M 2210/0618; A61F 5/08; A61B 2018/00327  
See application file for complete search history.

(56) **References Cited**

**U.S. PATENT DOCUMENTS**

D574,951 S \* 8/2008 Reusch ..... D24/108  
D645,954 S \* 9/2011 Hately ..... D24/110  
D755,950 S \* 5/2016 Meliniotis ..... D24/110  
D797,920 S \* 9/2017 Lamba ..... D24/110

D869,638 S \* 12/2019 Shinichi ..... D24/110  
D874,645 S \* 2/2020 McCool ..... D24/110  
D879,944 S \* 3/2020 Ono ..... D24/110  
D883,471 S \* 5/2020 Prevot ..... D24/110  
D888,932 S \* 6/2020 Jung ..... D24/110  
2019/0143154 A1\* 5/2019 Gangadhar ..... A62B 18/088  
128/202.22  
2019/0351161 A1\* 11/2019 Othel-Jacobsen .....  
A61M 16/0045  
2020/0179627 A1\* 6/2020 Johansen ..... A61M 16/0078

**OTHER PUBLICATIONS**

Rehaler Introduction [https://www.youtube.com/watch?v=KO7vOsLIJAE&feature=emb\\_logo](https://www.youtube.com/watch?v=KO7vOsLIJAE&feature=emb_logo) Jan. 28, 2020 (Year: 2020).\*

\* cited by examiner

*Primary Examiner* — Samantha Q Lawrence  
(74) *Attorney, Agent, or Firm* — Woodard, Emhardt, Henry, Reeves & Wagner, LLP

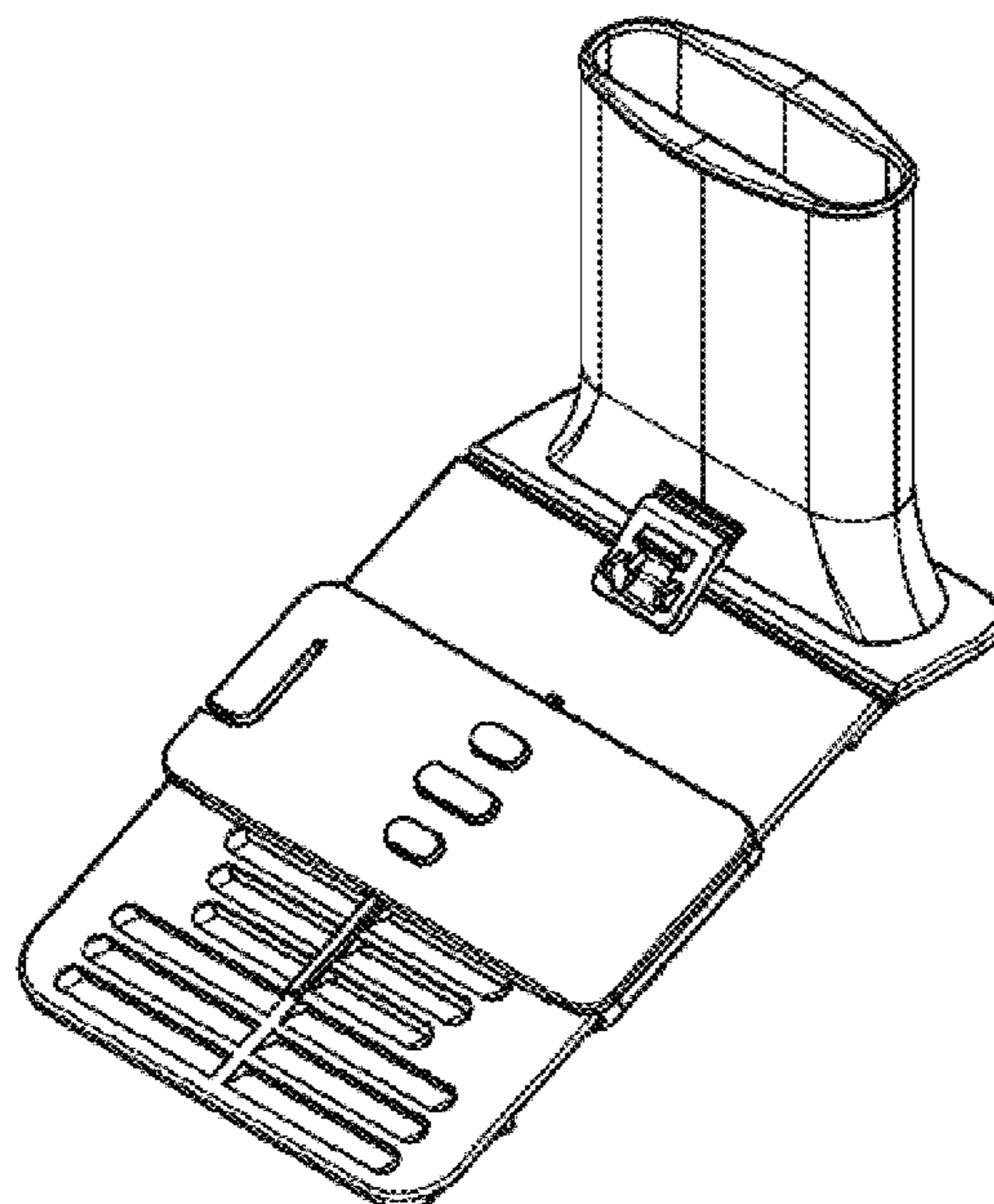
(57) **CLAIM**

The ornamental design for breathing device, as shown and described.

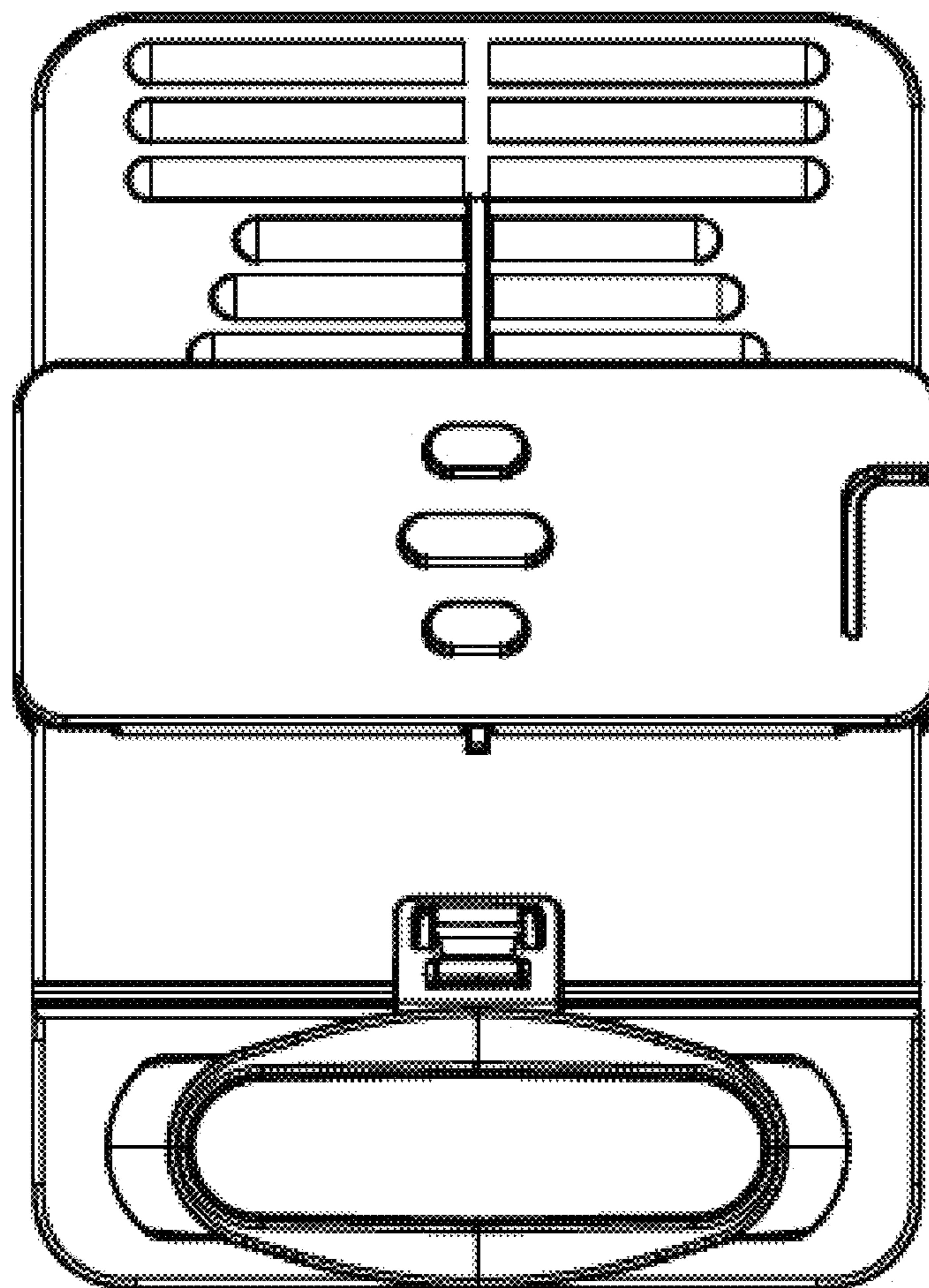
**DESCRIPTION**

1. Breathing device  
FIG. 1.1 is a front view of a breathing device;  
FIG. 1.2 is a right side view thereof;  
FIG. 1.3 is a left side view thereof;  
FIG. 1.4 is a back view thereof; and  
FIG. 1.5 is a top perspective view thereof;  
FIG. 1.6 is a bottom perspective view thereof;  
FIG. 1.7 is another bottom perspective view thereof;  
FIG. 1.8 is a rear view thereof;  
FIG. 1.9 is a front view thereof; and  
FIG. 1.10 is a top perspective view thereof.

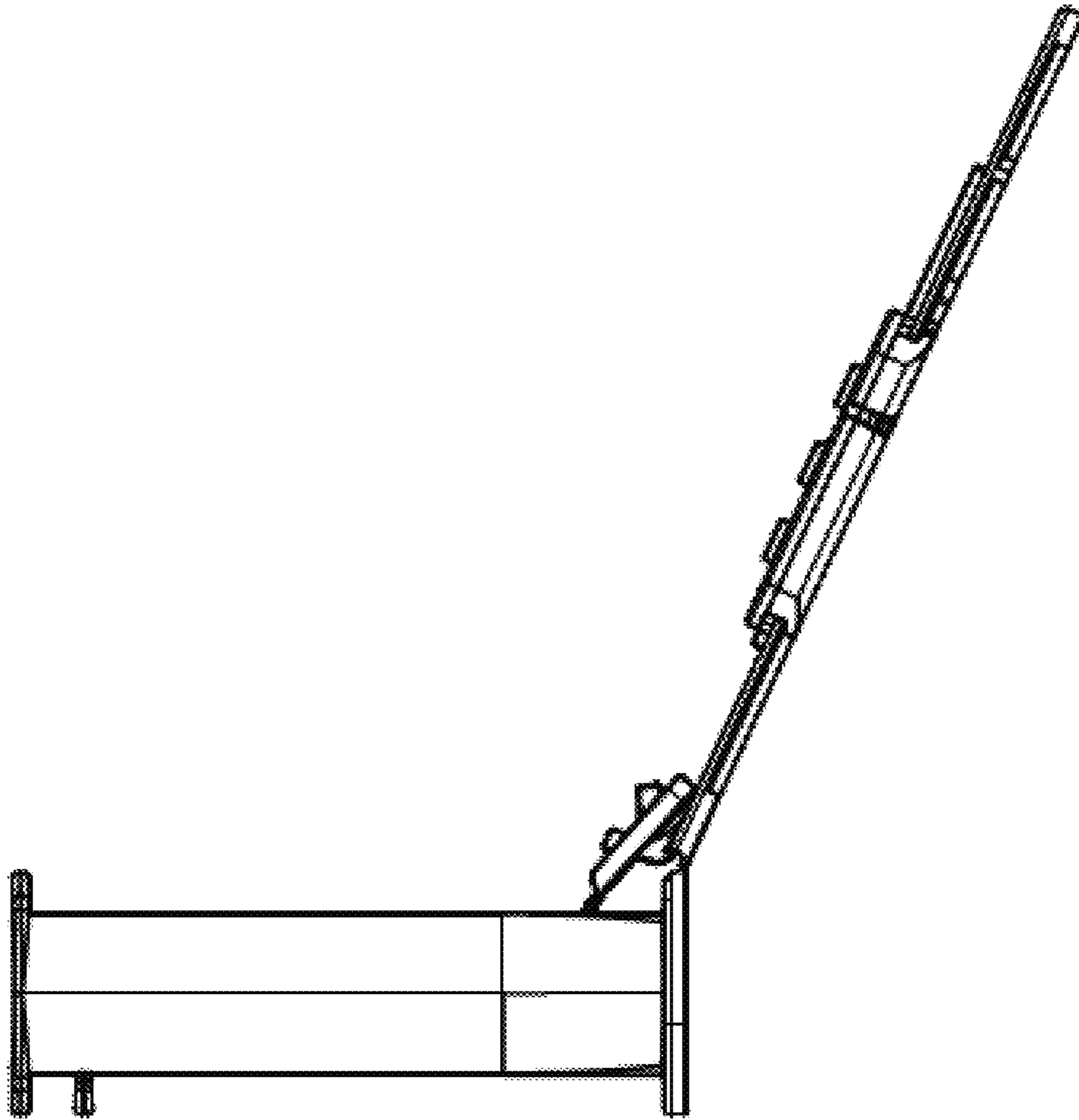
**1 Claim, 10 Drawing Sheets**



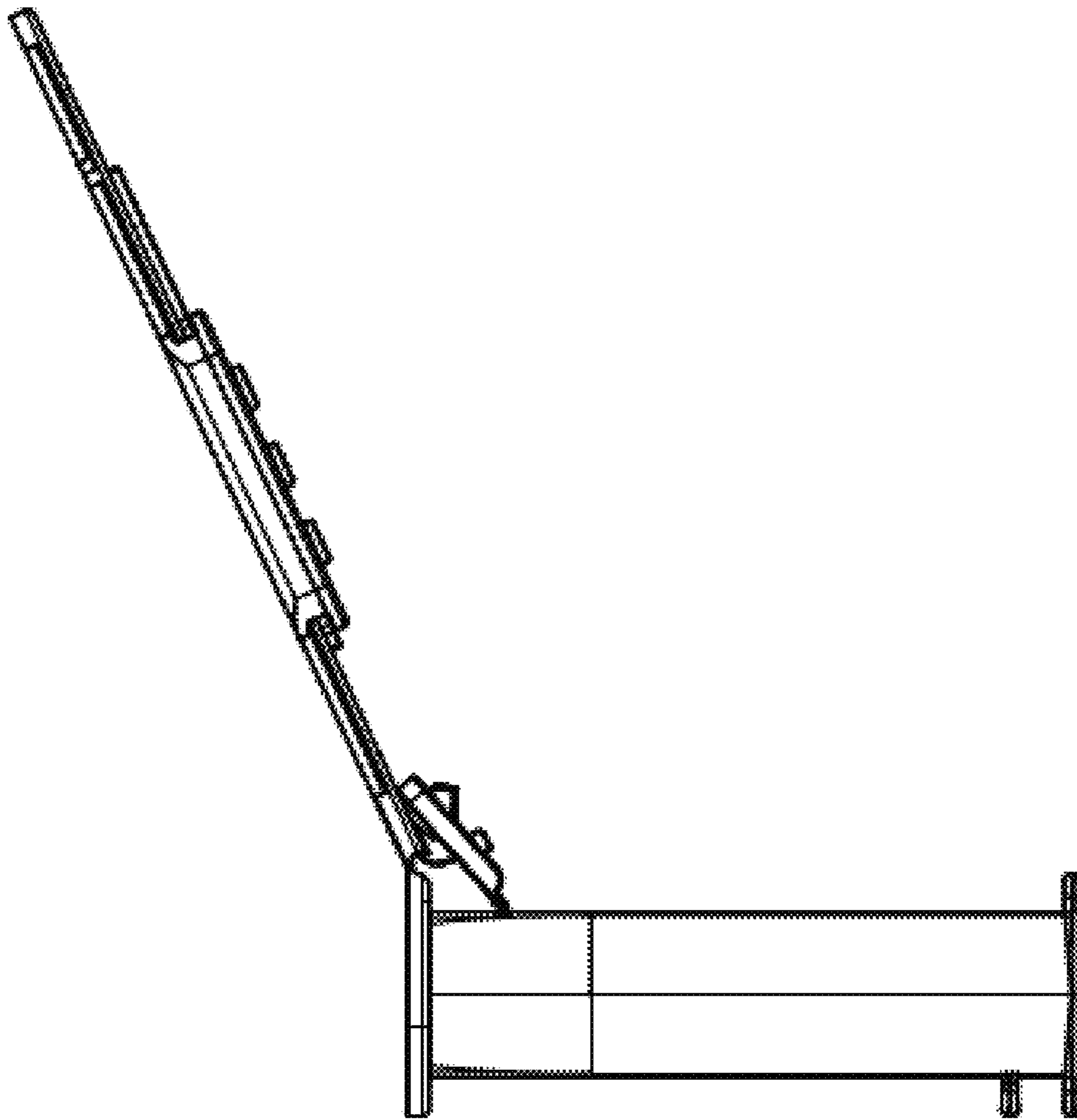
# 1.1



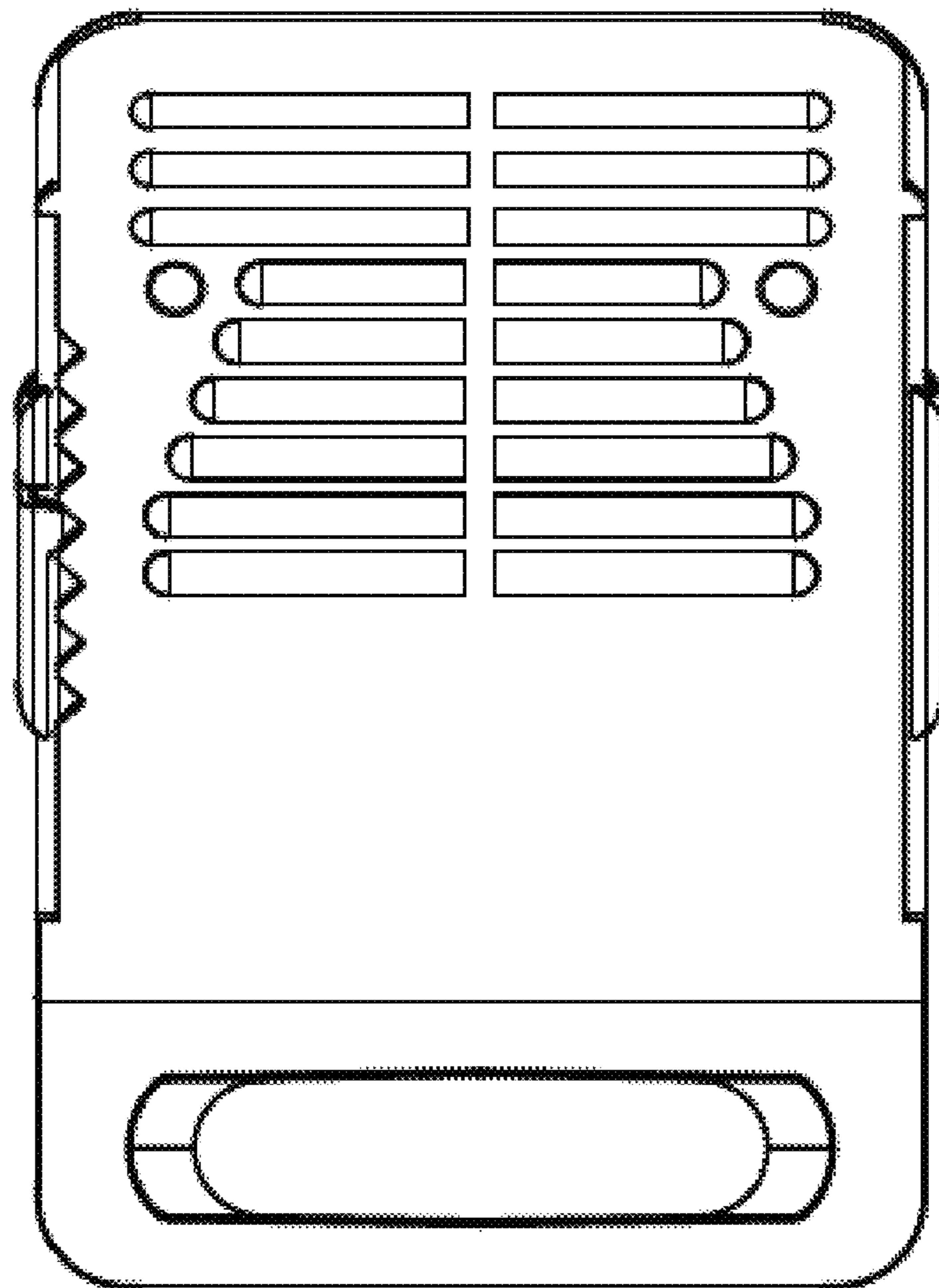
1.2



# 1.3

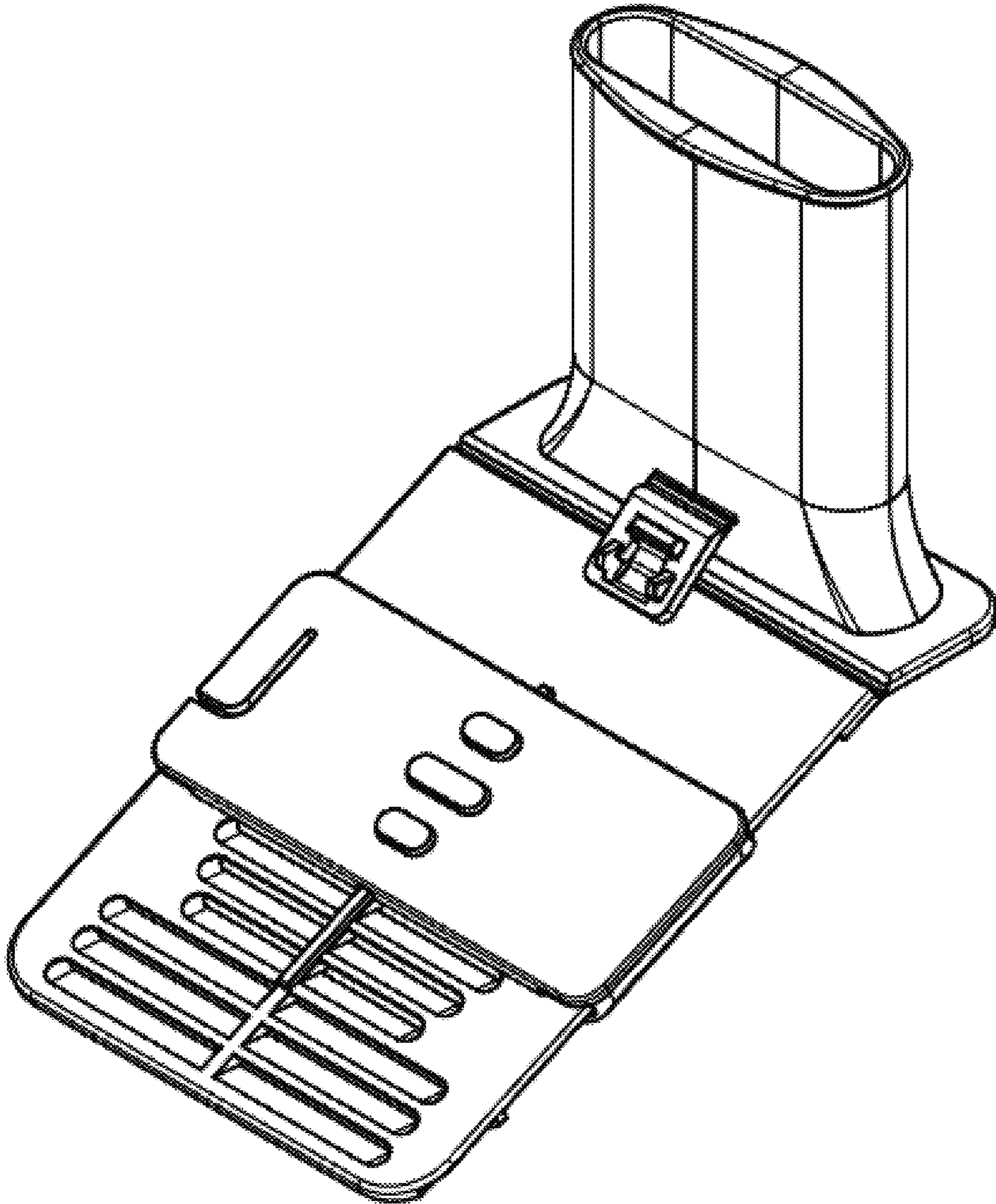


1.4

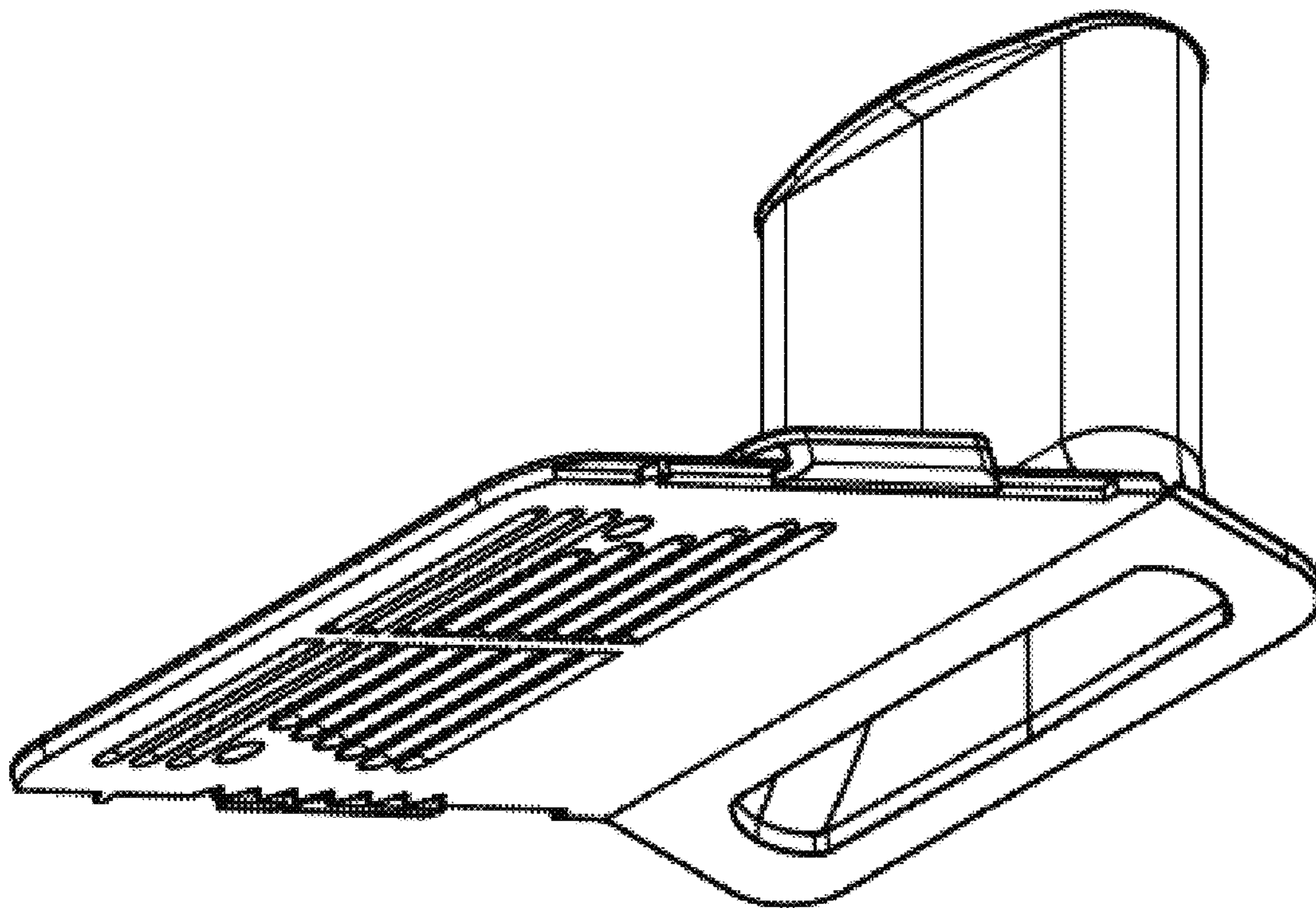




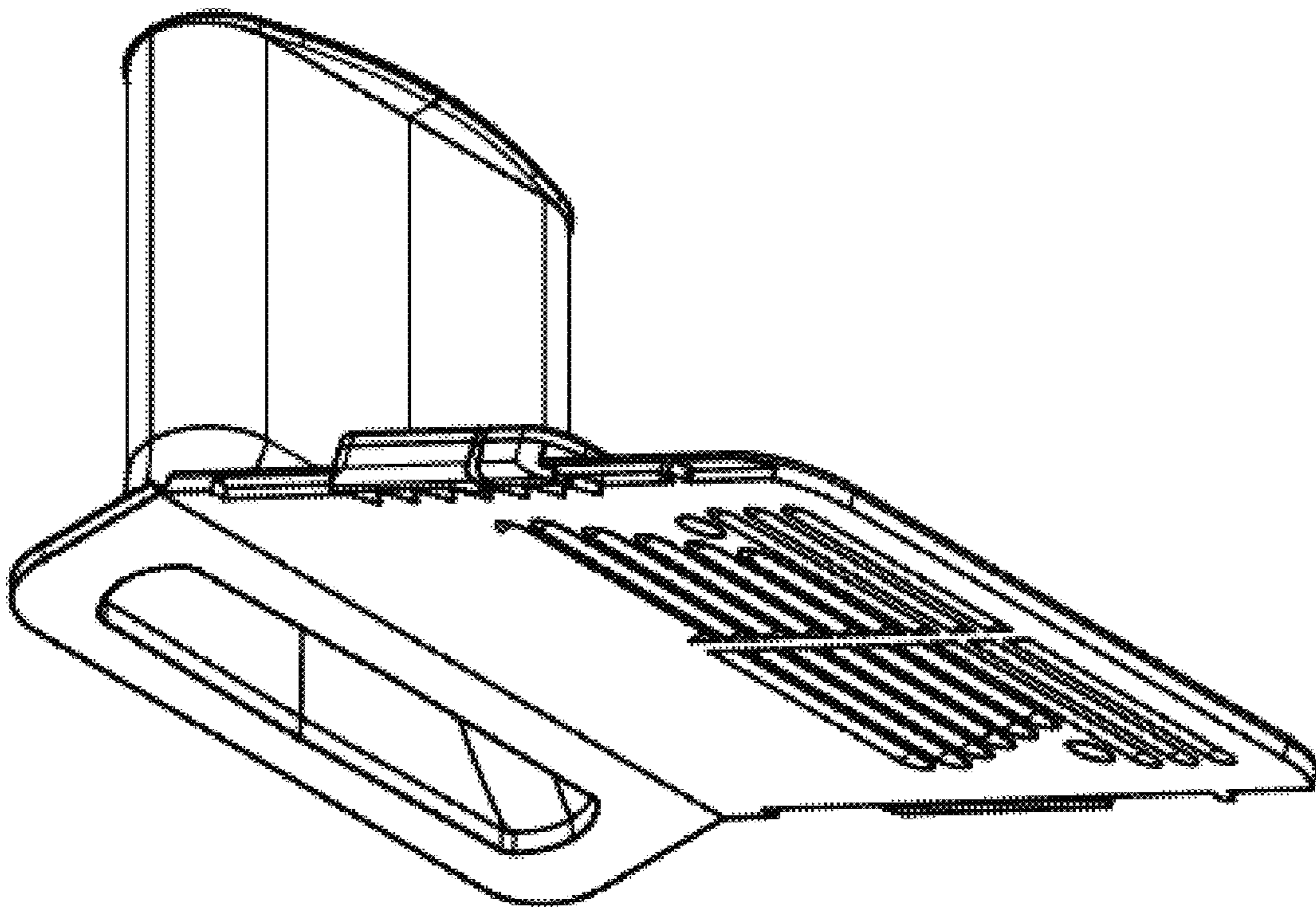
1.5



**1.6**

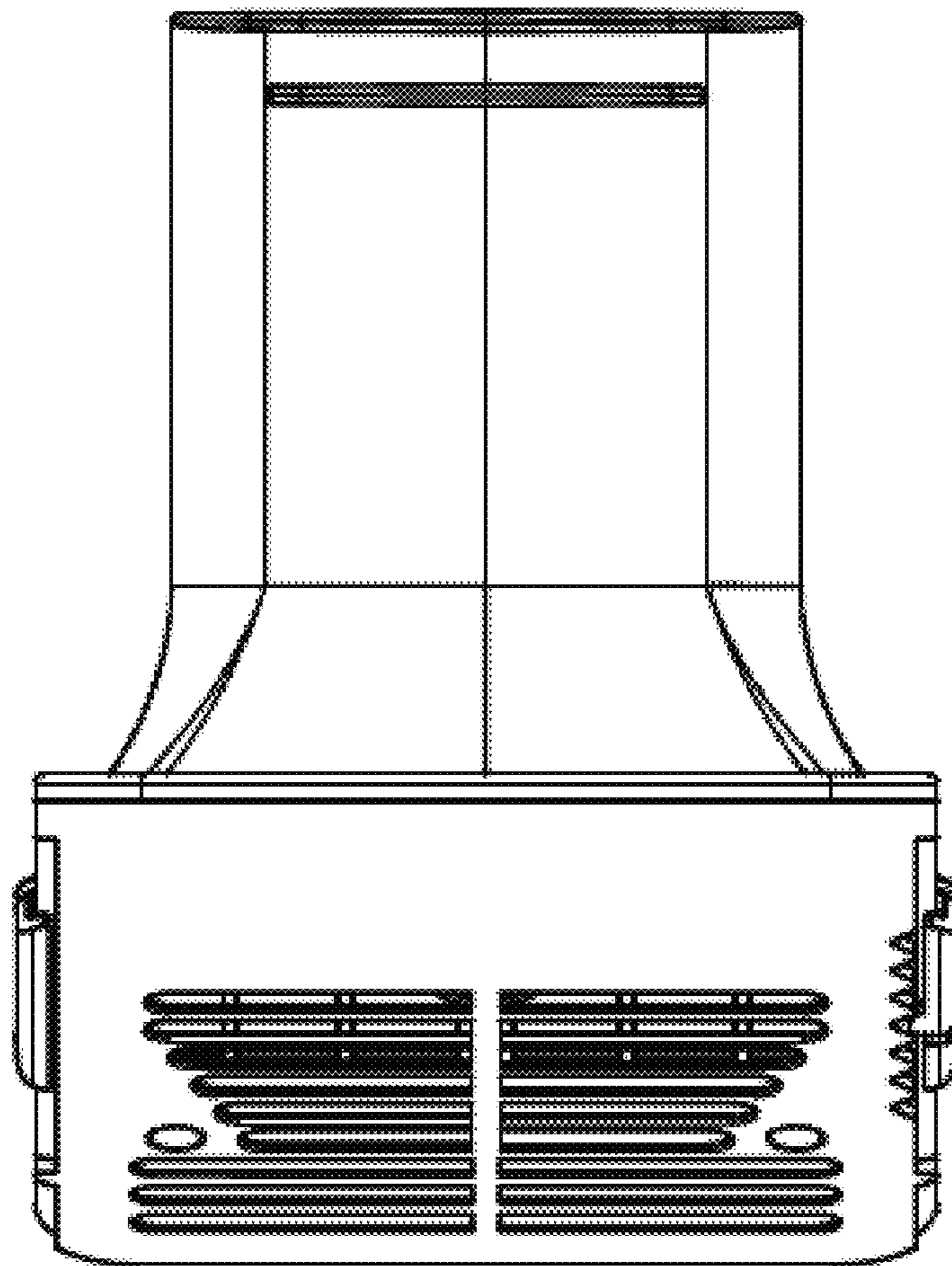


**1.7**

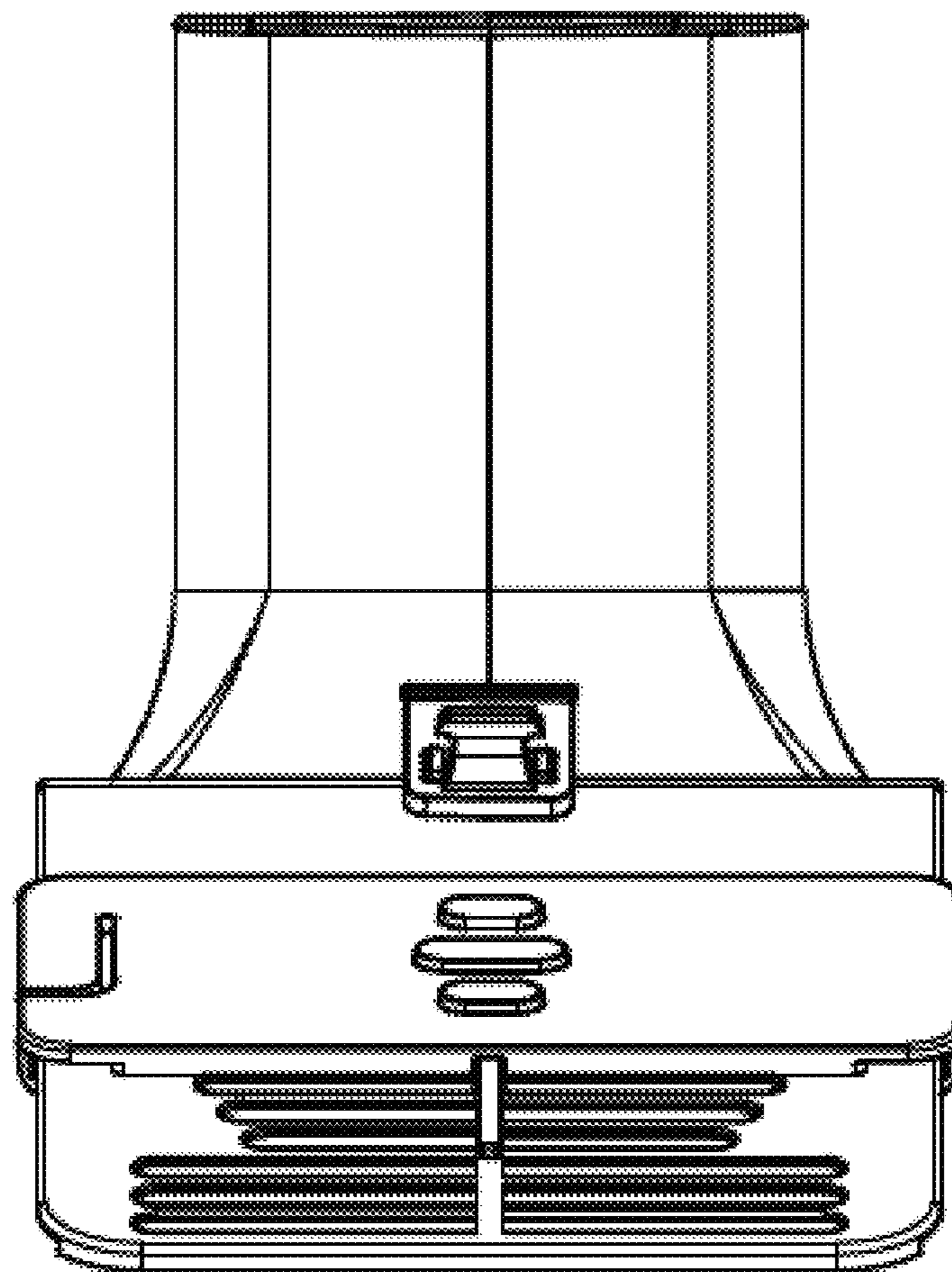




1.8



1.9



# 1.10

