



US00D922559S

(12) **United States Design Patent** (10) **Patent No.:** **US D922,559 S**
Cannon et al. (45) **Date of Patent:** **** Jun. 15, 2021**

(54) **AIR FRESHENER HOUSING**
(71) Applicant: **The Procter & Gamble Company**,
Cincinnati, OH (US)
(72) Inventors: **William Michael Cannon**, West
Harrison, OH (US); **Keri Marsh**
Arinsmier, Mason, OH (US); **Richard**
Lee Lane, Cincinnati, OH (US)

D595,128 S * 6/2009 Bouveret D7/545
D652,323 S * 1/2012 Clark D9/761
D655,154 S * 3/2012 Amos D9/425
D657,857 S * 4/2012 Choi D23/364
D689,362 S * 9/2013 Clark D9/425
D706,622 S * 6/2014 Bischoff D9/425
D829,318 S * 9/2018 Wu
D879,931 S * 3/2020 Cannon D23/366
D884,141 S * 5/2020 Cannon D23/366
D894,363 S * 8/2020 Cannon D23/366

(Continued)

(73) Assignee: **The Procter & Gamble Company**,
Cincinnati, OH (US)

(**) Term: **15 Years**

(21) Appl. No.: **29/724,567**

(22) Filed: **Feb. 18, 2020**

Related U.S. Application Data

(63) Continuation of application No. 29/647,604, filed on
May 15, 2018, now Pat. No. Des. 879,931.

(51) **LOC (13) Cl.** **23-04**

(52) **U.S. Cl.**
USPC **D23/366**

(58) **Field of Classification Search**
USPC D23/208, 355-369, 393
CPC A61L 9/02; A61L 9/03; A61L 9/12; A61L
9/035; A61L 9/125

See application file for complete search history.

(56) **References Cited**

U.S. PATENT DOCUMENTS

D274,603 S * 7/1984 Lien D9/416
5,136,684 A * 8/1992 Lonker A61L 9/03
261/DIG. 89
D358,638 S * 5/1995 Vullion D23/366
D382,050 S * 8/1997 Hayes D23/366
D440,874 S * 4/2001 Shurtleff D9/425
D457,230 S * 5/2002 Huang D23/364

OTHER PUBLICATIONS

China-tin-boxes.com, Car air freshener, undated online product
page, retrieved Nov. 17, 2020 from <URL:https://www.china-tin-
boxes.com/car-air-freshener/car-air-freshener-2514.html> (Year: 2020).*

(Continued)

Primary Examiner — Sheryl Lane

Assistant Examiner — Calvin E Vansant

(74) *Attorney, Agent, or Firm* — Abbey A. Lopez

(57) **CLAIM**

The ornamental design for an air freshener housing, as
shown and described.

DESCRIPTION

FIG. 1 is a front perspective view of an embodiment of an
air freshener housing;

FIG. 2 is a front view thereof;

FIG. 3 is a back view thereof;

FIG. 4 is a left view thereof;

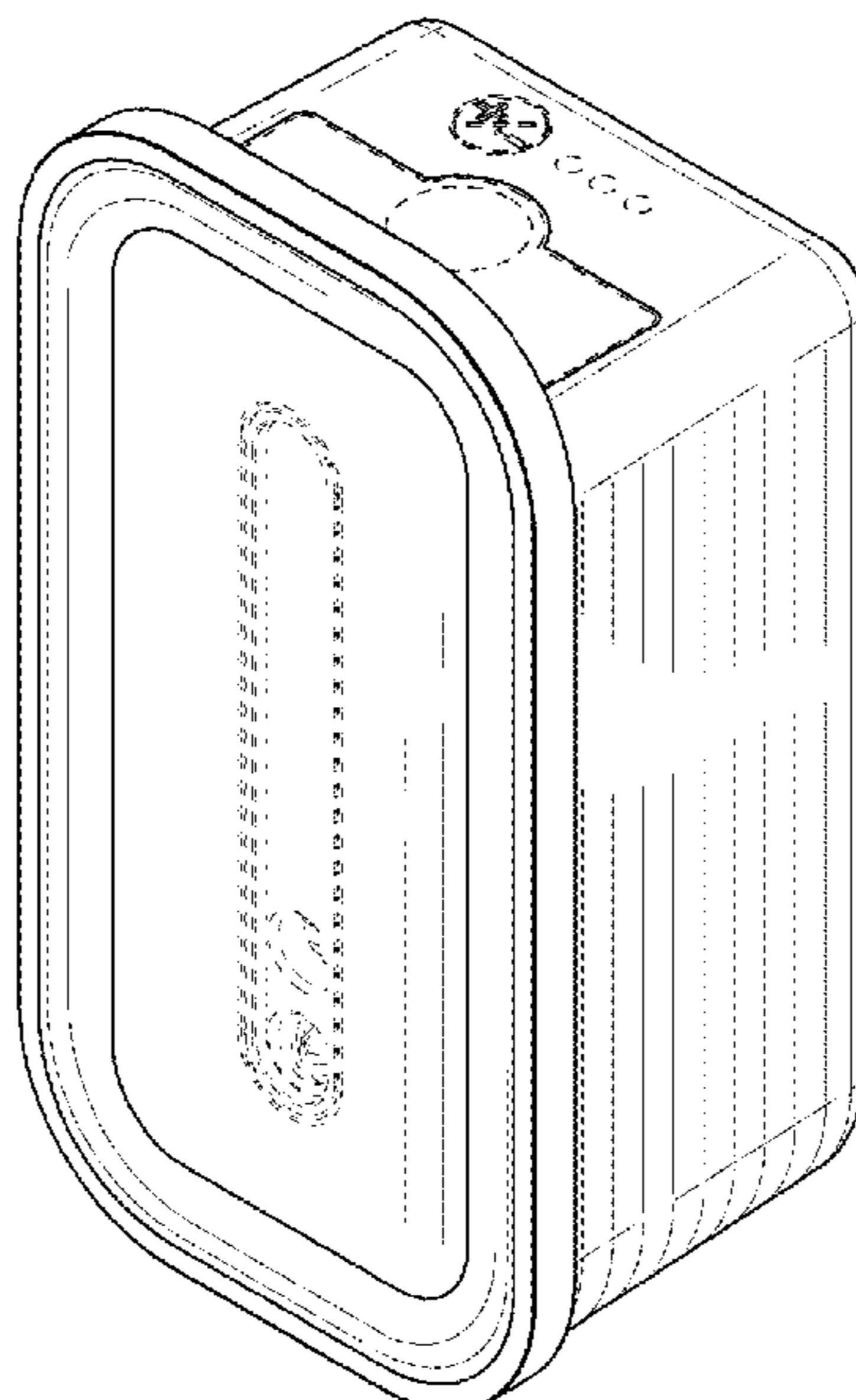
FIG. 5 is a right view thereof;

FIG. 6 is a top view thereof; and,

FIG. 7 is a bottom view thereof.

The broken lines shown in the drawings depict unclaimed
portions of the air freshener housing and form no part of the
claimed design.

1 Claim, 4 Drawing Sheets



(56)

References Cited

U.S. PATENT DOCUMENTS

D896,634 S * 9/2020 Balzer D9/425

OTHER PUBLICATIONS

All Office Actions, U.S. Appl. No. 29/647,604.

Higginbotham, S., "P&G's Sci-Fi Air Freshener Makes Your House Smell Smart", Fortune.com online article, retrieved on Aug. 1, 2019 from URL:<https://fortune.com/2016/01/06/pg-automated-air-freshener/>, 5 pages.

* cited by examiner

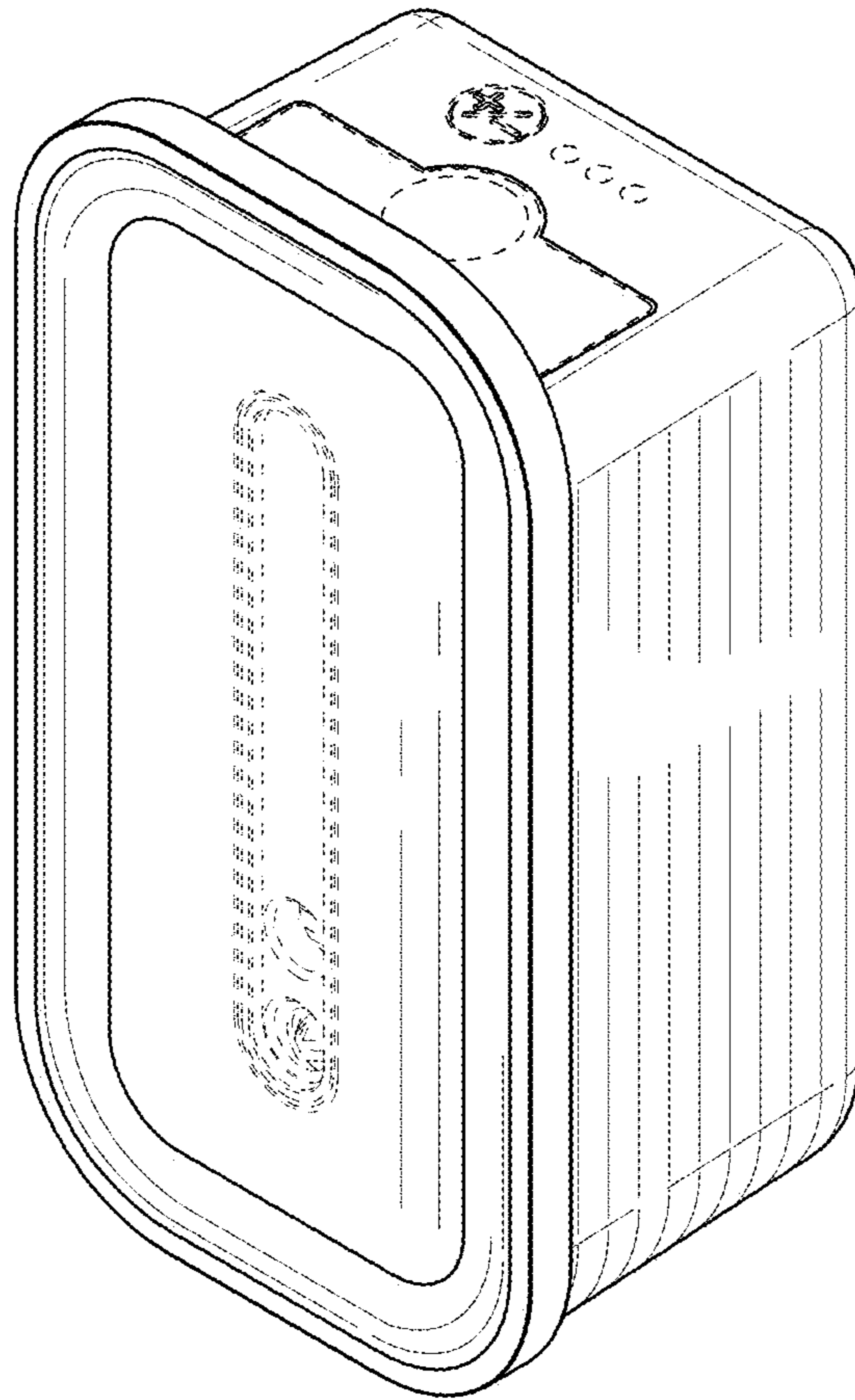


Fig. 1

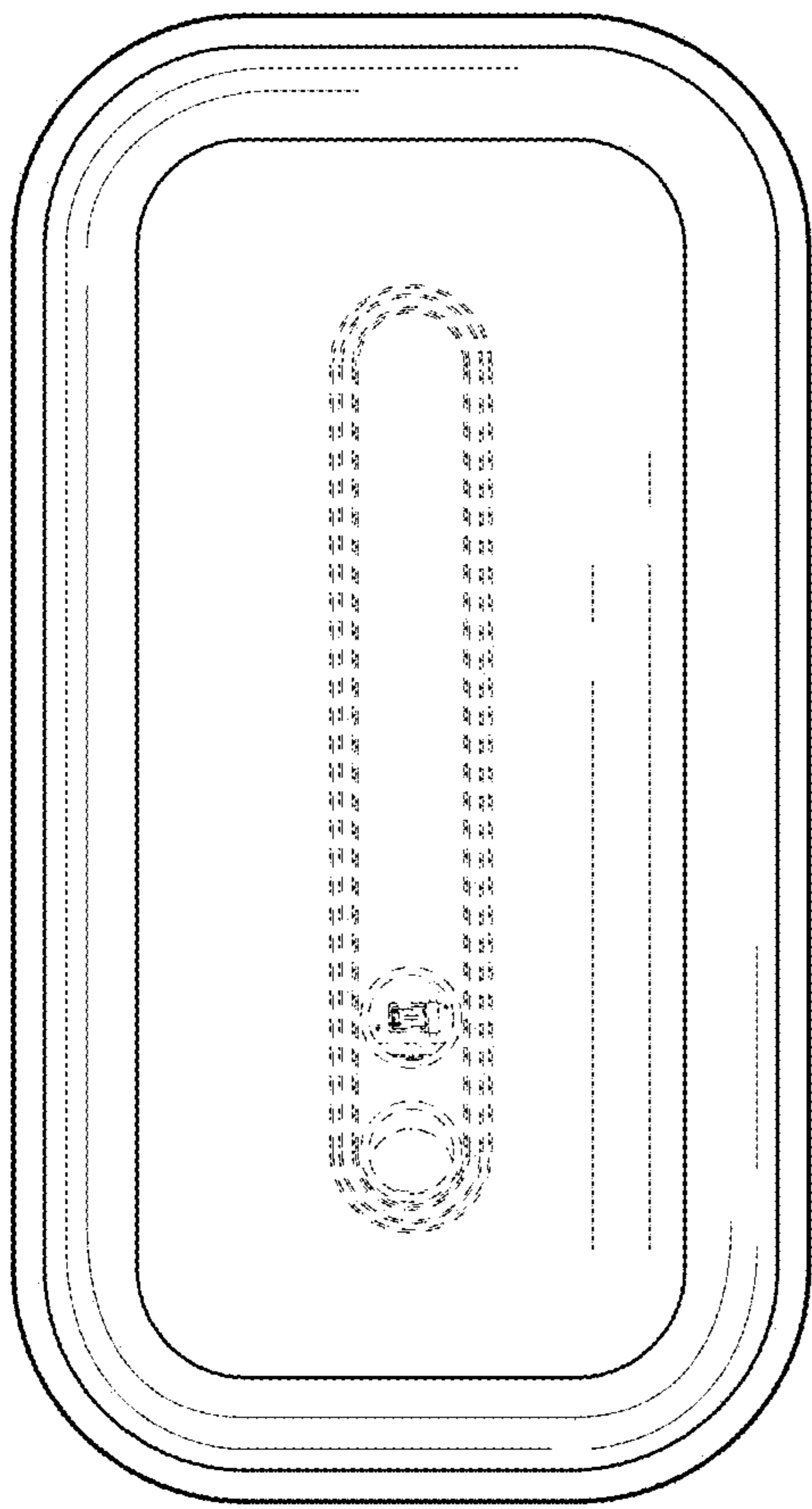


Fig. 2

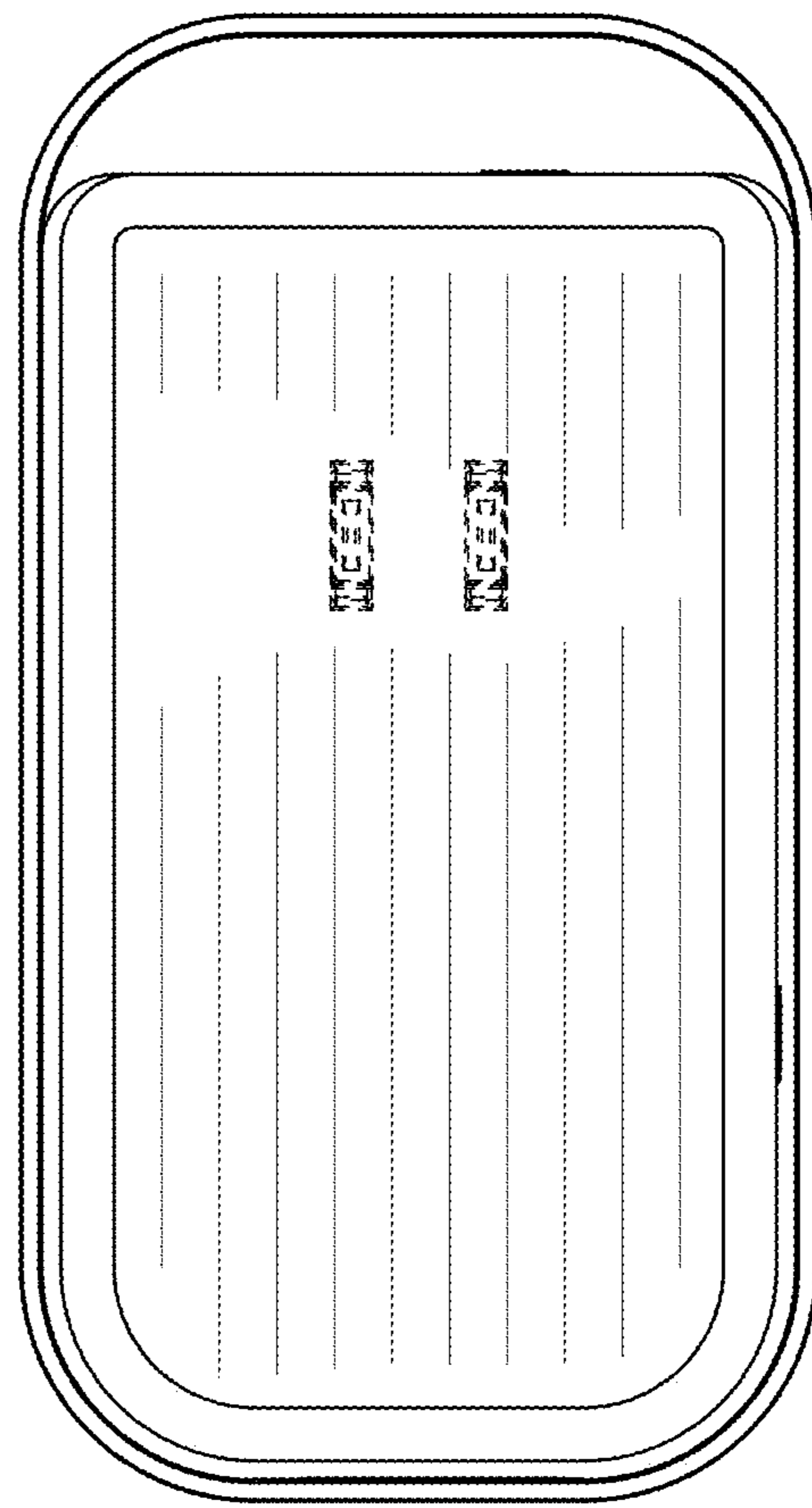


Fig. 3

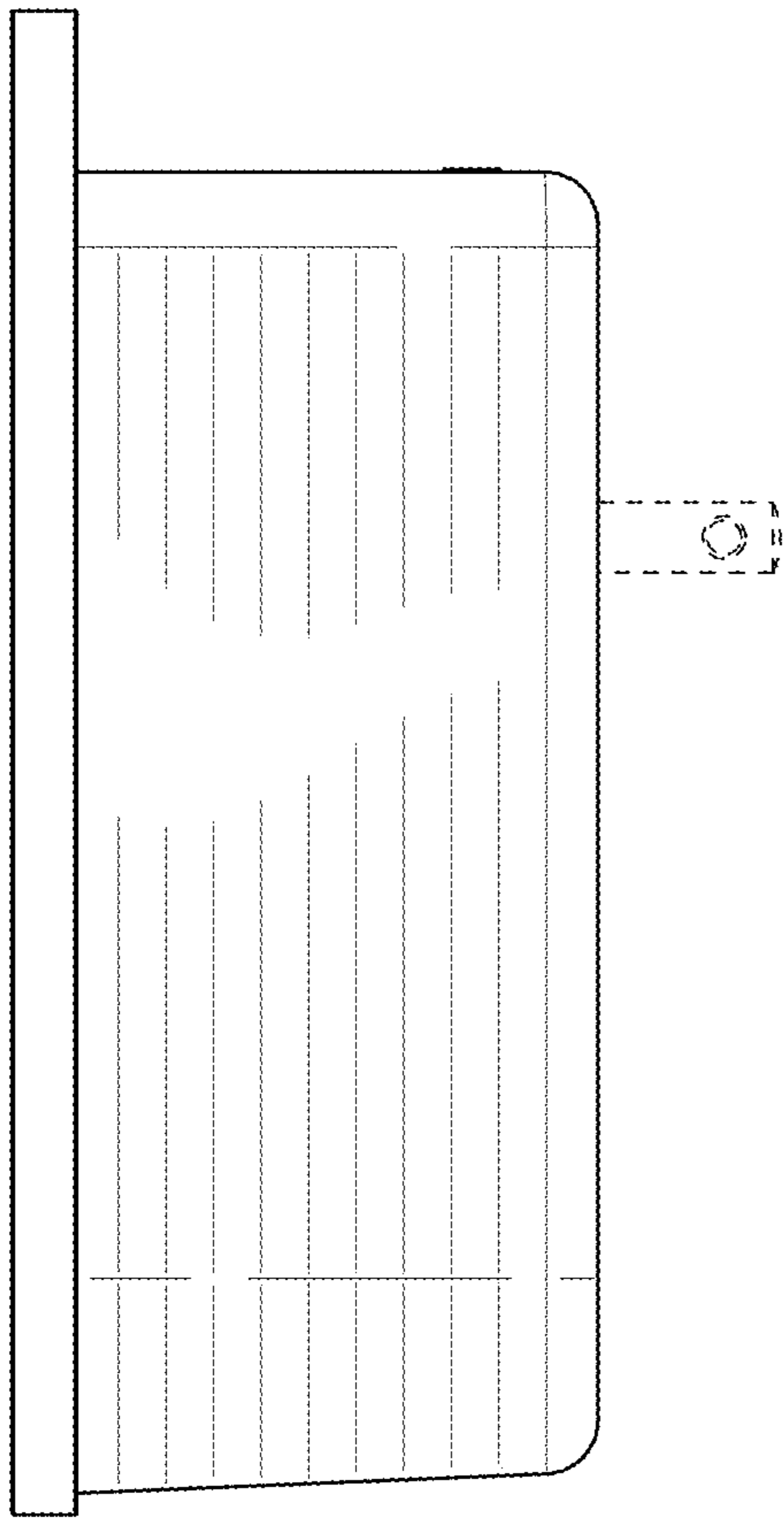


Fig. 4

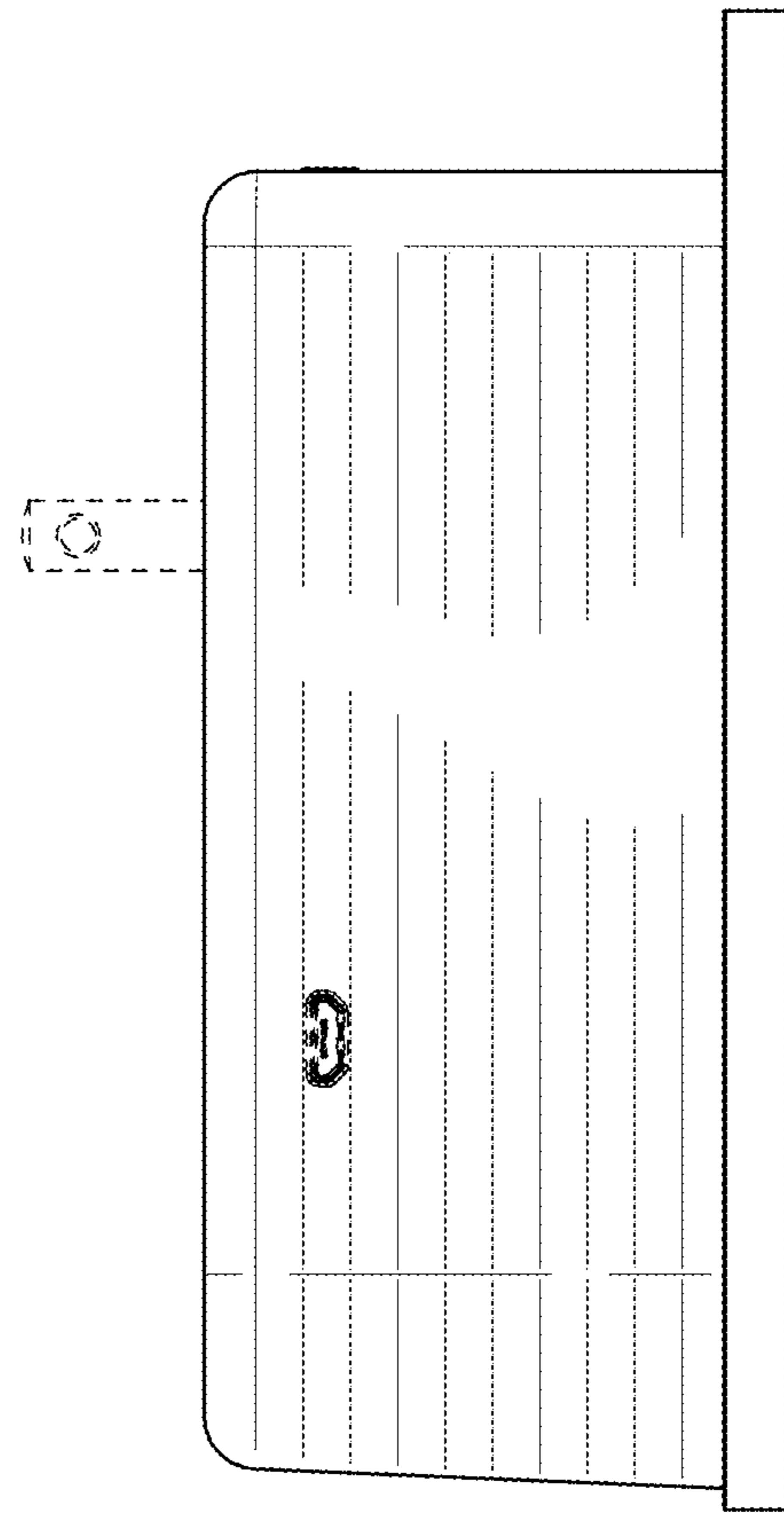


Fig. 5

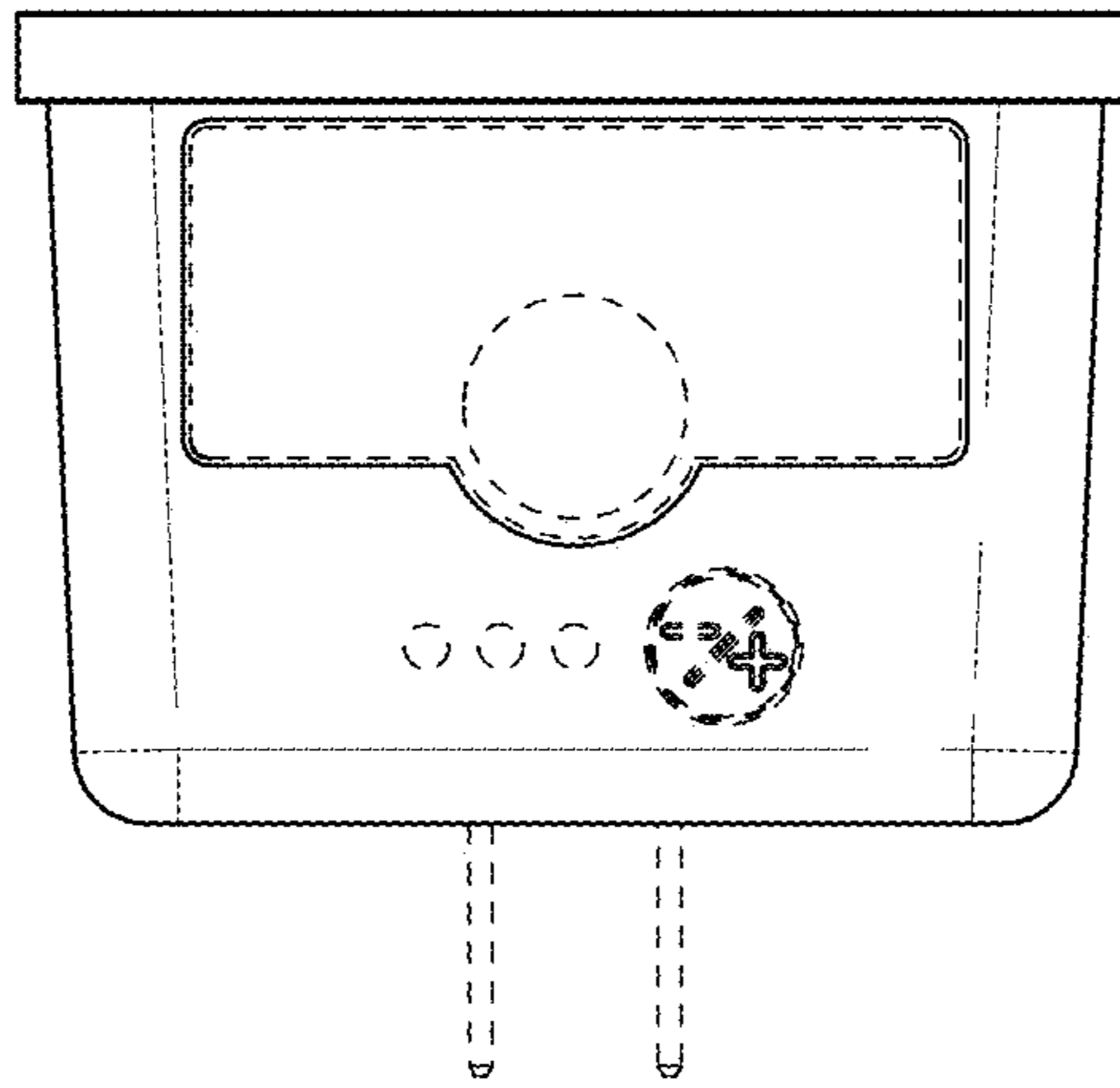


Fig. 6

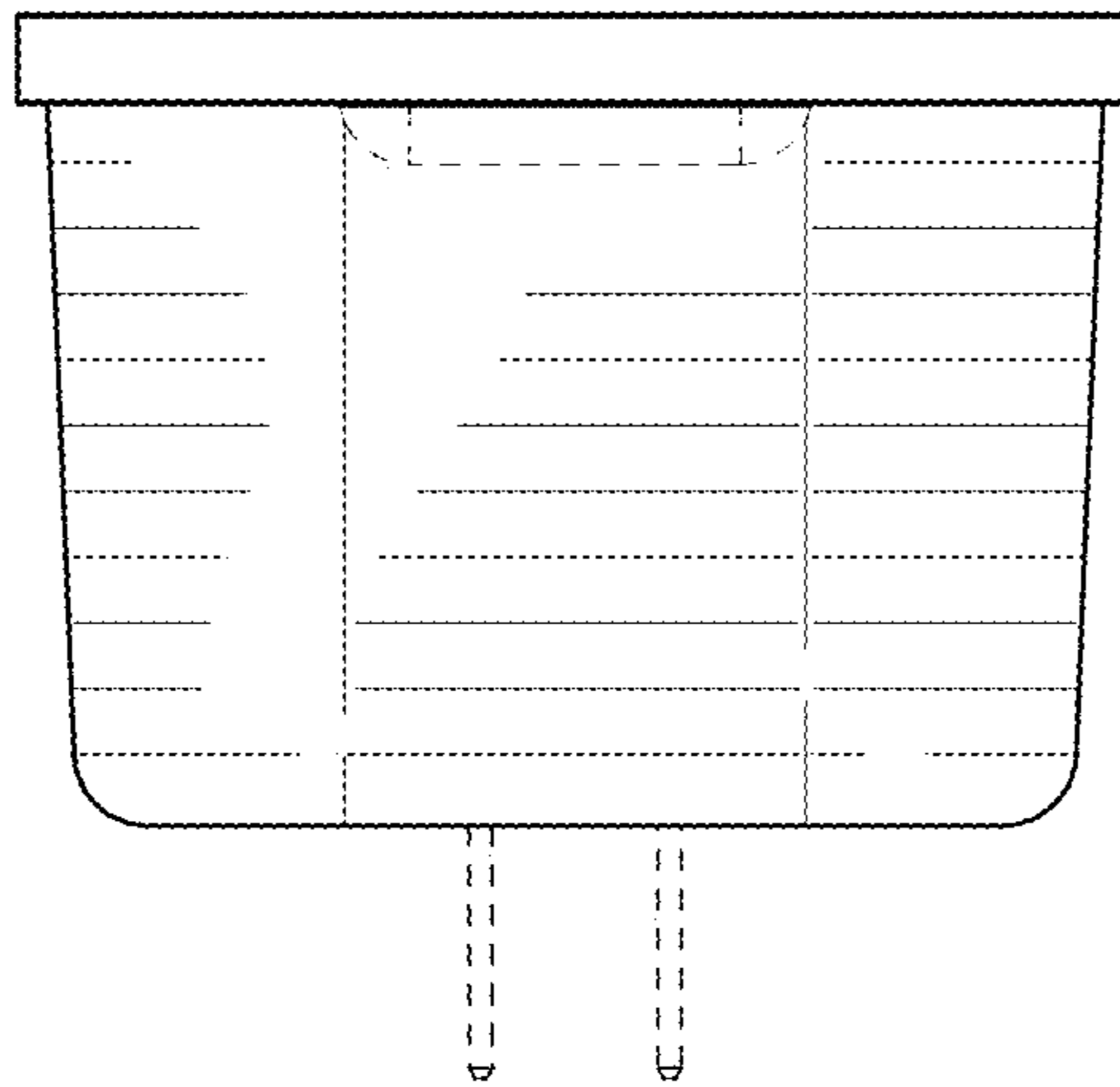


Fig. 7