



US00D922557S

(12) **United States Design Patent** (10) **Patent No.:** **US D922,557 S**
Guo (45) **Date of Patent:** **** Jun. 15, 2021**

(54) **AIR PURIFIER**
(71) Applicant: **Shaojia Guo**, Guangzhou (CN)
(72) Inventor: **Shaojia Guo**, Guangzhou (CN)
(**) Term: **15 Years**
(21) Appl. No.: **29/768,005**
(22) Filed: **Jan. 27, 2021**
(51) **LOC (13) Cl.** **23-04**
(52) **U.S. Cl.**
USPC **D23/364**
(58) **Field of Classification Search**
USPC D23/355-366, 352, 369, 332, 333, 335,
D23/336, 342, 351; 422/120, 122;
55/356, 473, 504; 96/97; 261/DIG. 17,
261/DIG. 65, DIG. 88, DIG. 31;
D14/218, 248
CPC .. A61L 9/16; A61L 9/22; B01D 47/00; B01D
47/027; B01D 2221/02; B01D 2259/4508;
B03C 3/155; B03C 3/368; F24F 3/16;
F24F 13/20; F24F 13/28; F24F
2001/0096
See application file for complete search history.

D900,789 S * 11/2020 Chen D14/218
D901,447 S * 11/2020 deBock D14/218
D901,662 S 11/2020 Takei
D903,076 S 12/2020 Copparstad
D903,846 S 12/2020 Ewen et al.
D903,847 S 12/2020 Hernandez
D904,593 S 12/2020 Liu
D905,840 S 12/2020 Cao
D905,841 S 12/2020 Cao
D906,501 S 12/2020 Lim
D907,603 S * 1/2021 Cheng D14/218
D916,034 S * 4/2021 Shi D13/168
D917,424 * 4/2021 Liu D14/218

* cited by examiner

Primary Examiner — David G Muller

(74) *Attorney, Agent, or Firm* — Rumit Ranjit Kanakia

(57) **CLAIM**

The ornamental design for a air purifier, as shown and described.

DESCRIPTION

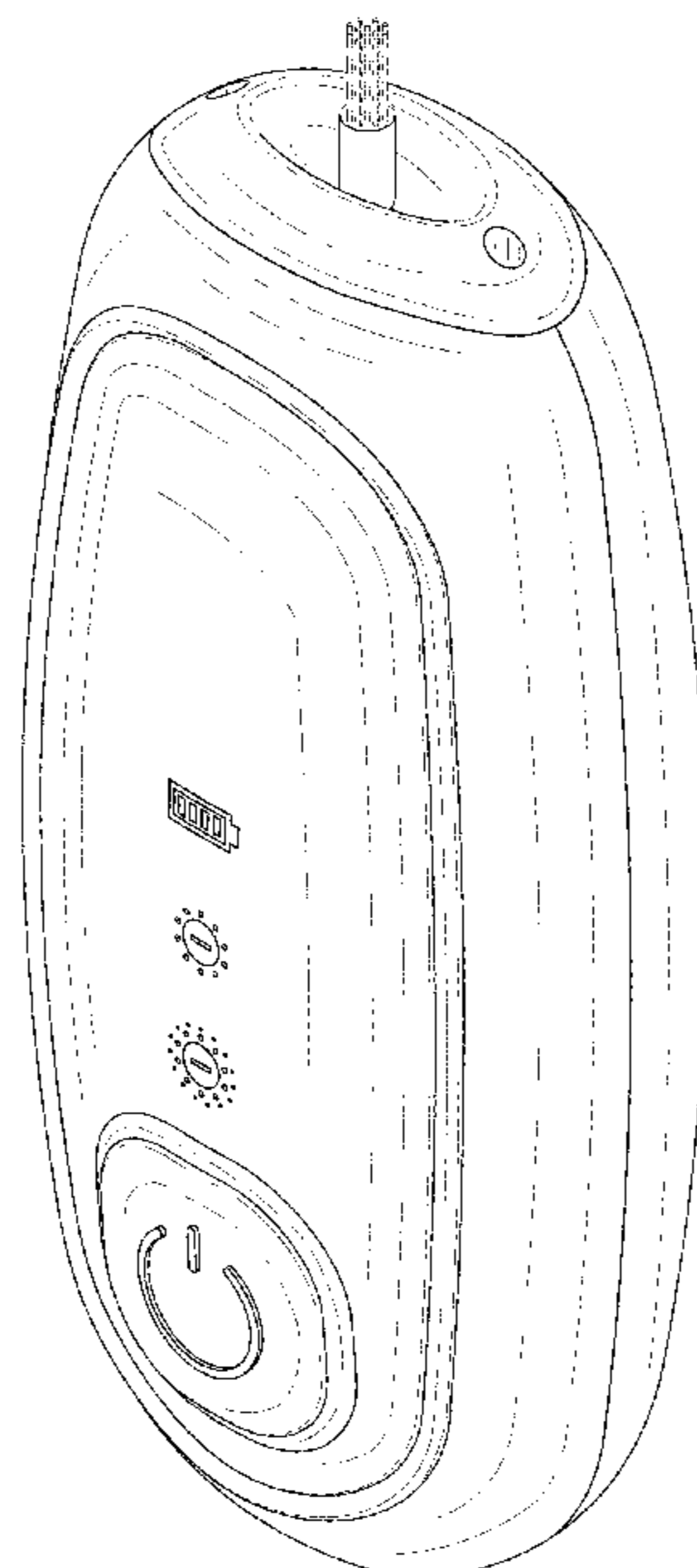
FIG. 1 is a front elevation view of an air purifier showing my new design;
FIG. 2 is a rear elevation view thereof;
FIG. 3 is a left side elevation view thereof;
FIG. 4 is a right side elevation view thereof;
FIG. 5 is a top plan view thereof;
FIG. 6 is a bottom plan view thereof;
FIG. 7 is a perspective view of a air purifier showing my new design; and,
FIG. 8 is another perspective showing the air purifier with a lanyard.
The broken lines in the figures are for the purposes of illustrating portions of the air purifier, which form no part of the claimed design.

(56) **References Cited**

U.S. PATENT DOCUMENTS

D783,571 S * 4/2017 Mizrahi D14/205
D805,484 S * 12/2017 Bristol D13/168
D806,673 S * 1/2018 Mizrahi D14/205
D822,643 S * 7/2018 Chen D14/218
D857,664 S * 8/2019 Peralta D14/218
D862,421 S * 10/2019 Arimoto D14/218
D883,108 S * 5/2020 Xie D10/52
D889,621 S 7/2020 Huang
D890,905 S 7/2020 Farone
10,744,241 B2 * 8/2020 Huang A61M 27/00

1 Claim, 8 Drawing Sheets



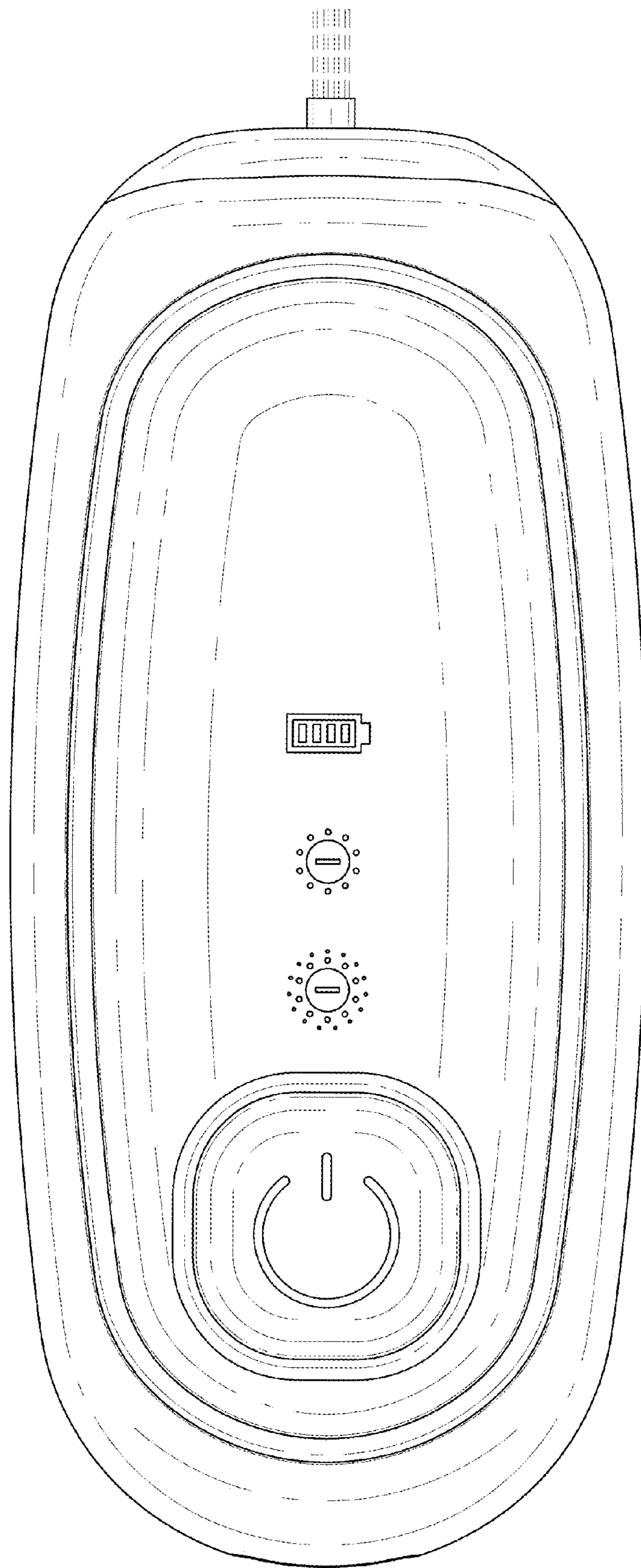


Fig.1

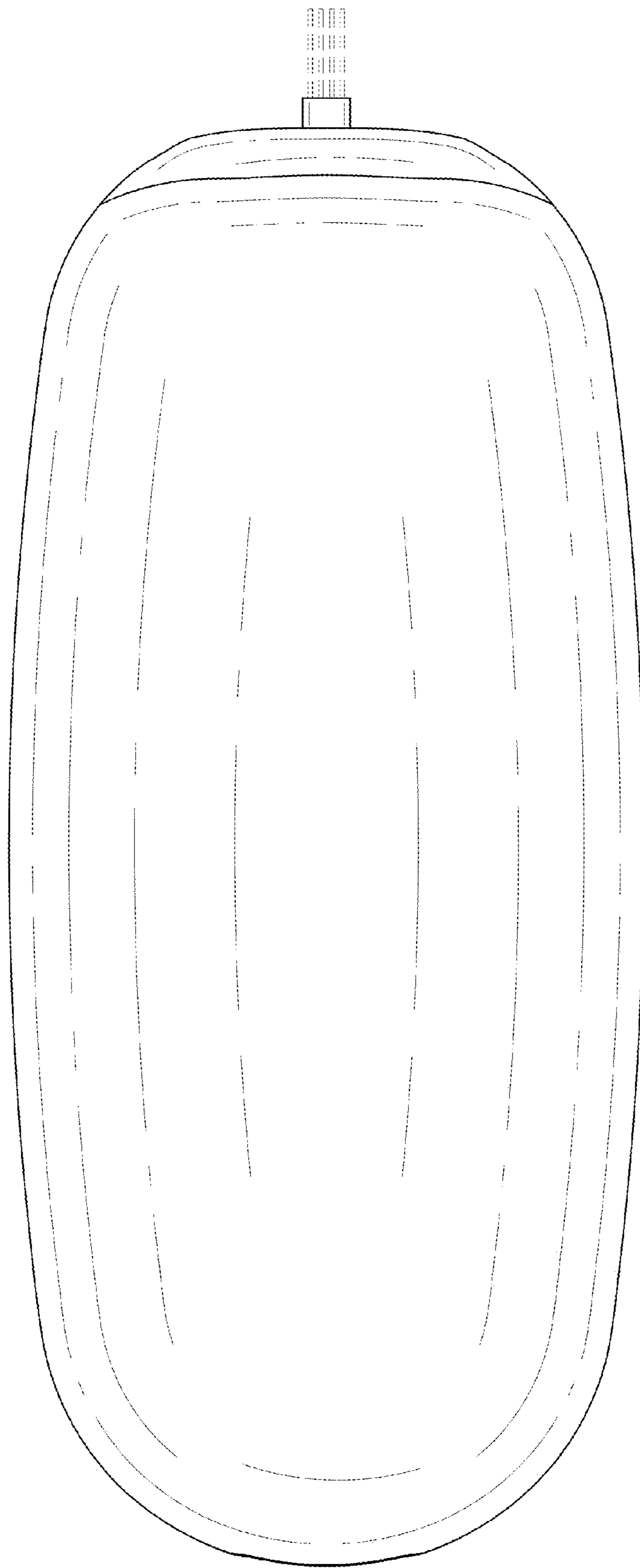


Fig.2

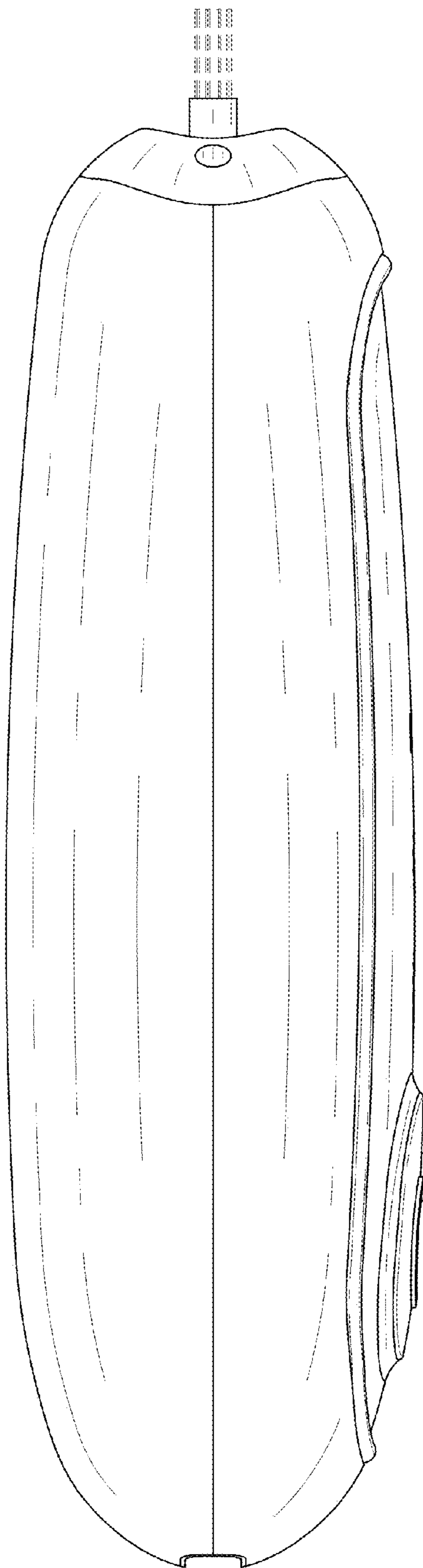


Fig.3

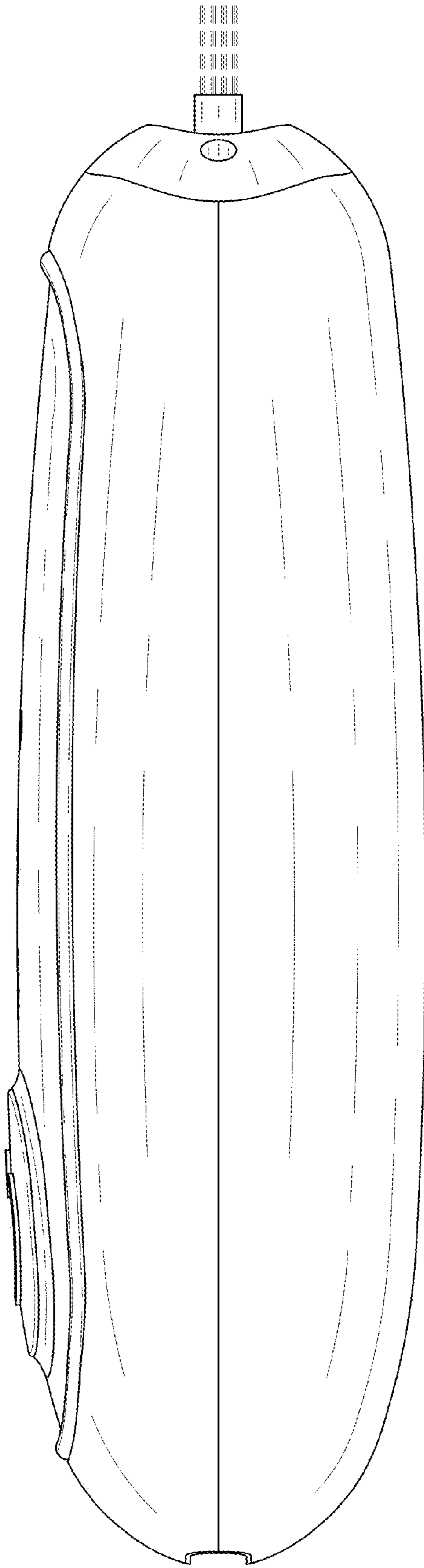


Fig.4

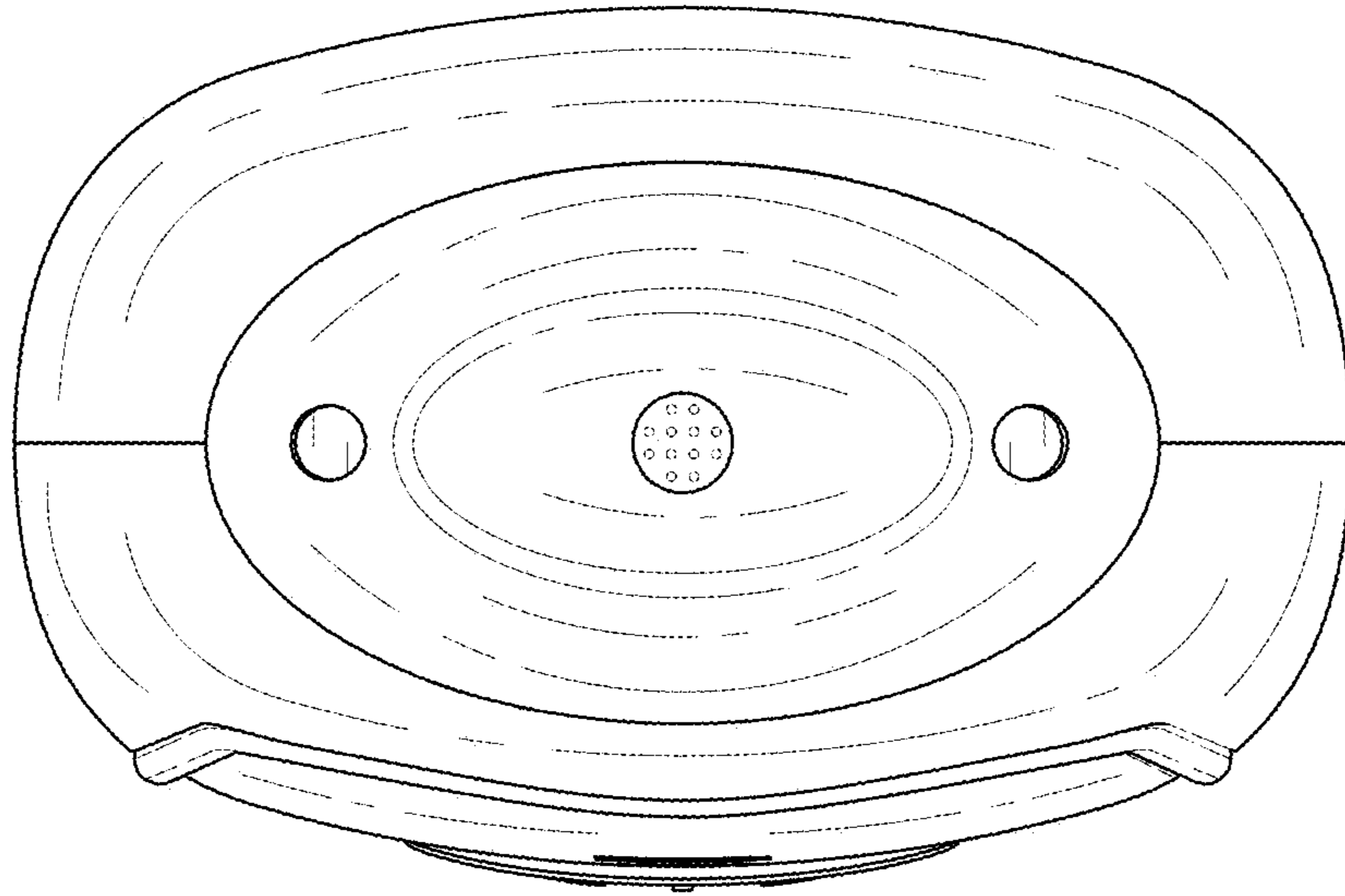


Fig.5

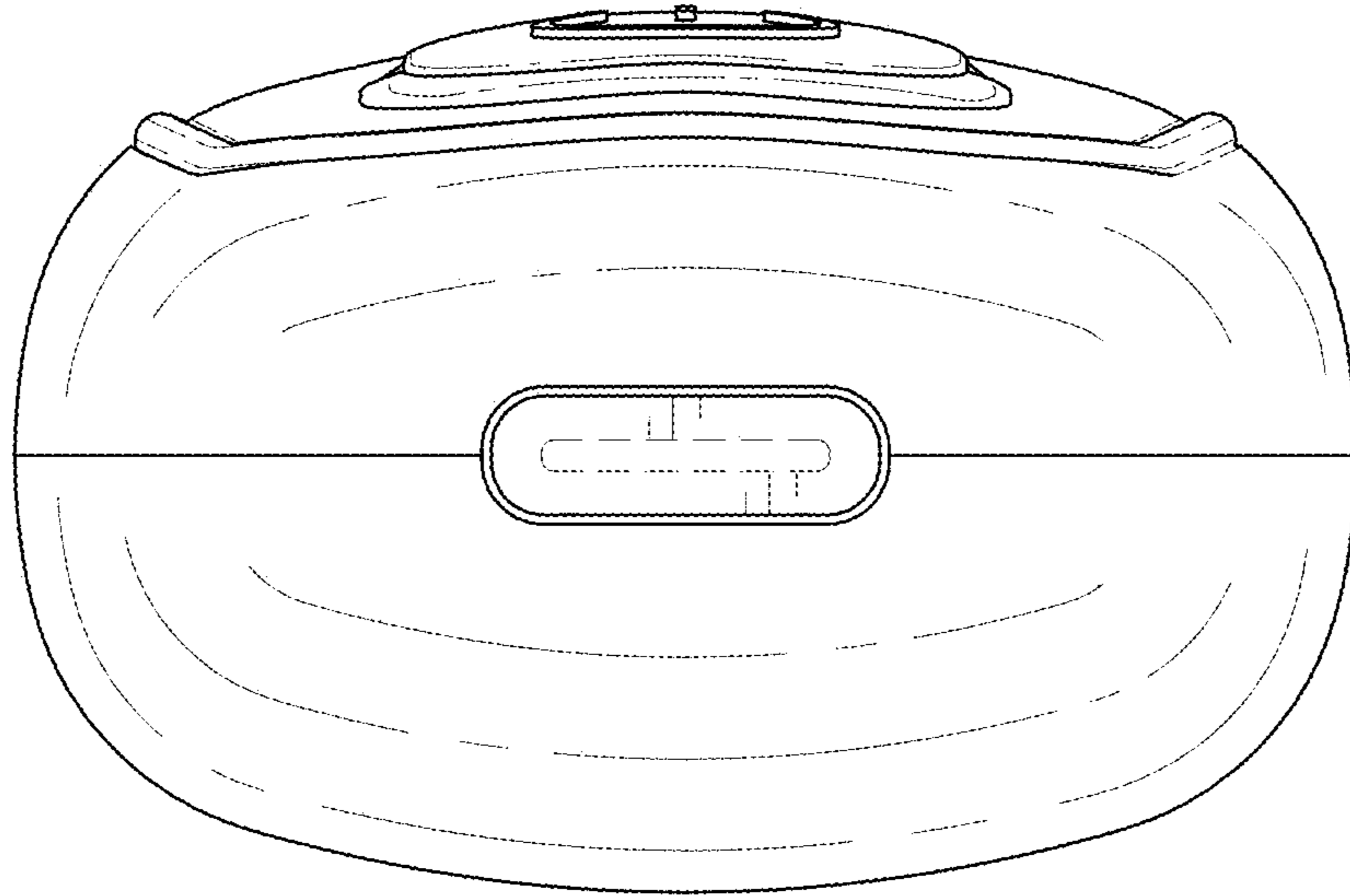


Fig.6

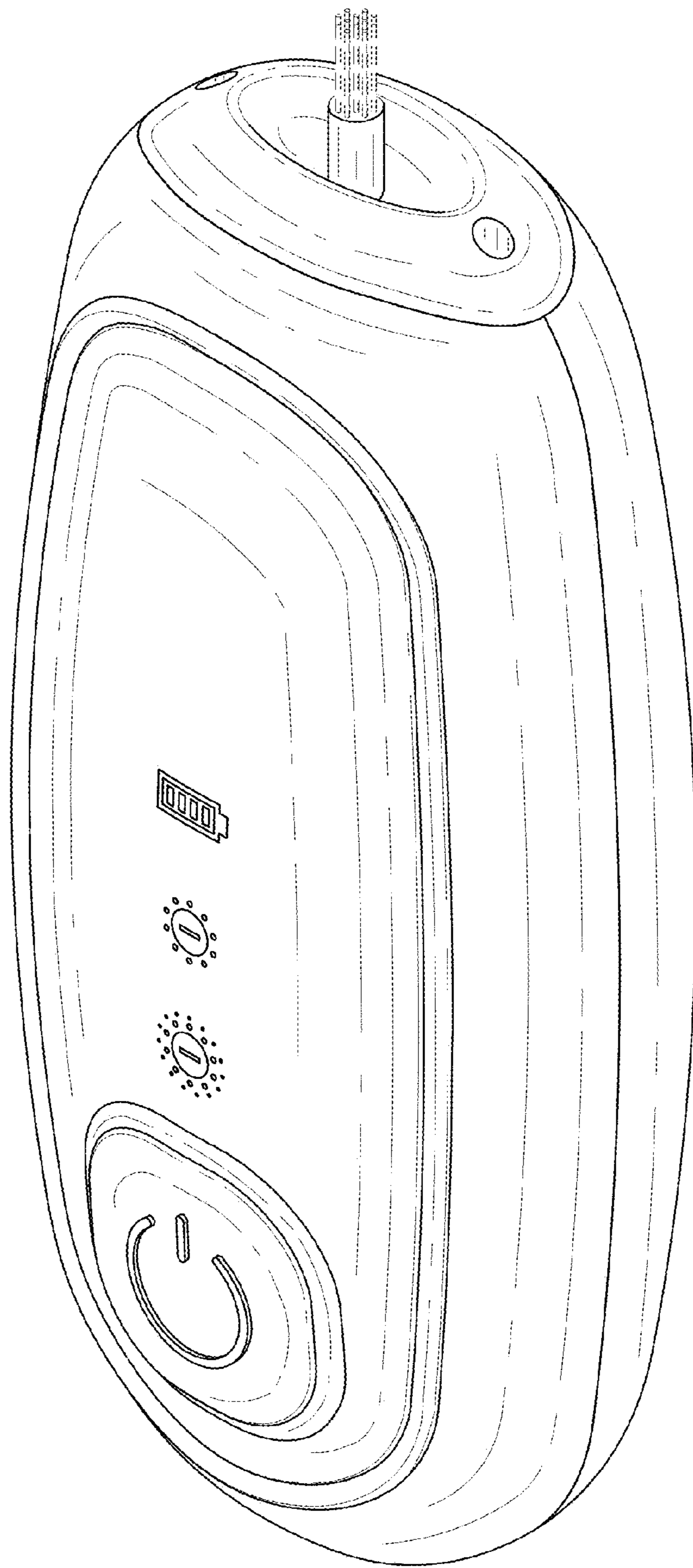


Fig.7

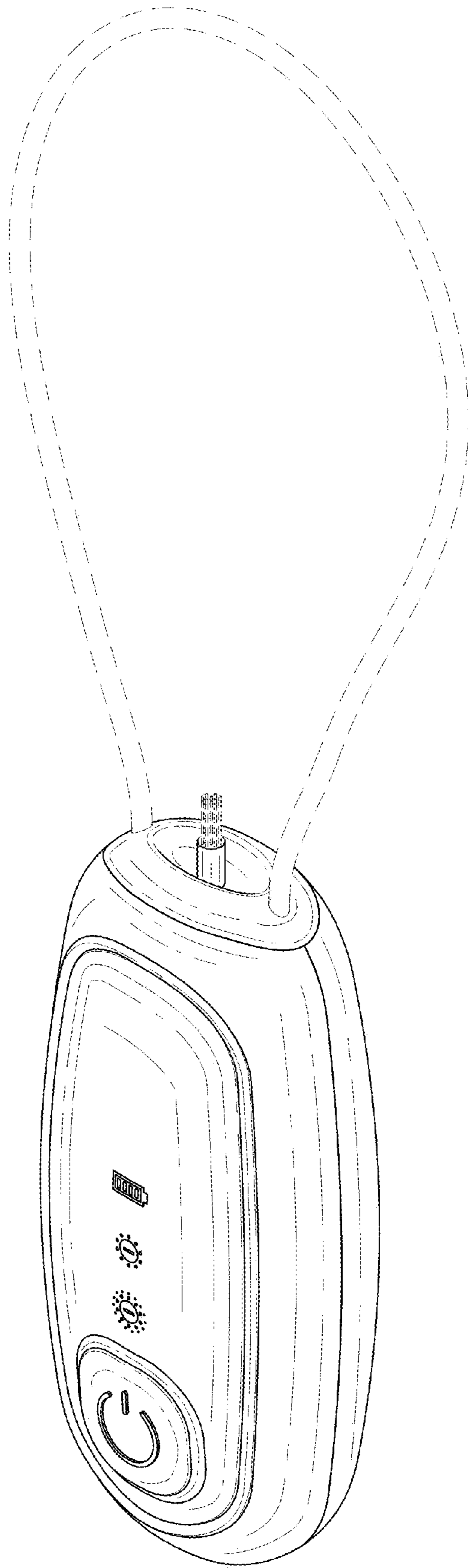


Fig.8