



US00D922556S

(12) **United States Design Patent** (10) **Patent No.:** **US D922,556 S**
Stearns et al. (45) **Date of Patent:** **** Jun. 15, 2021**

(54) **PORTABLE RUGGED DEHUMIDIFIER**

(71) Applicant: **Therma-Stor LLC**, Madison, WI (US)

(72) Inventors: **Jared M. Stearns**, Madison, WI (US);
Steven S. Dingle, McFarland, WI (US);
Todd R. DeMonte, Cottage Grove, WI (US)

(73) Assignee: **Therma-Stor, LLC**, Madison, WI (US)

(**) Term: **15 Years**

(21) Appl. No.: **29/677,857**

(22) Filed: **Jan. 24, 2019**

(51) **LOC (13) Cl.** **23-04**

(52) **U.S. Cl.**
USPC **D23/359**

(58) **Field of Classification Search**

USPC D23/355-366, 352, 369, 332, 333, 335,
D23/336, 342, 351; 422/120, 122;
55/356, 473, 504; 96/97; 261/DIG. 17,
261/DIG. 65, DIG. 88, DIG. 31
CPC .. F24F 3/1405; F24F 3/16; F24F 13/20; F24F
13/28; F24F 2001/0096; A61L 9/16;
A61L 9/22; B01D 47/00; B01D 47/027;
B01D 2221/02; B01D 2259/4508; B03C
3/155; B03C 3/368

See application file for complete search history.

(56) **References Cited**

U.S. PATENT DOCUMENTS

D612,035 S * 3/2010 Borgi D23/355
D634,414 S * 3/2011 Wolfe D23/359
D678,494 S * 3/2013 Wolfe D23/359
D684,737 S * 6/2013 Wolfe D32/21
D731,632 S * 6/2015 Kulp D23/359

D732,327 S * 6/2015 Ciuksza, Jr. D7/306
9,205,374 B2 * 12/2015 Black F24F 3/1405
D755,359 S * 5/2016 Rentschler D23/355
D769,432 S * 10/2016 Dingle D23/359
D853,543 S * 7/2019 Giallombardo D23/359
D861,146 S * 9/2019 Dingle D23/359
D866,738 S * 11/2019 Cui D23/359
2011/0061408 A1 * 3/2011 Schnelle F24F 11/83
62/93

* cited by examiner

Primary Examiner — David G Muller

(74) *Attorney, Agent, or Firm* — Baker Botts L.L.P.

(57) **CLAIM**

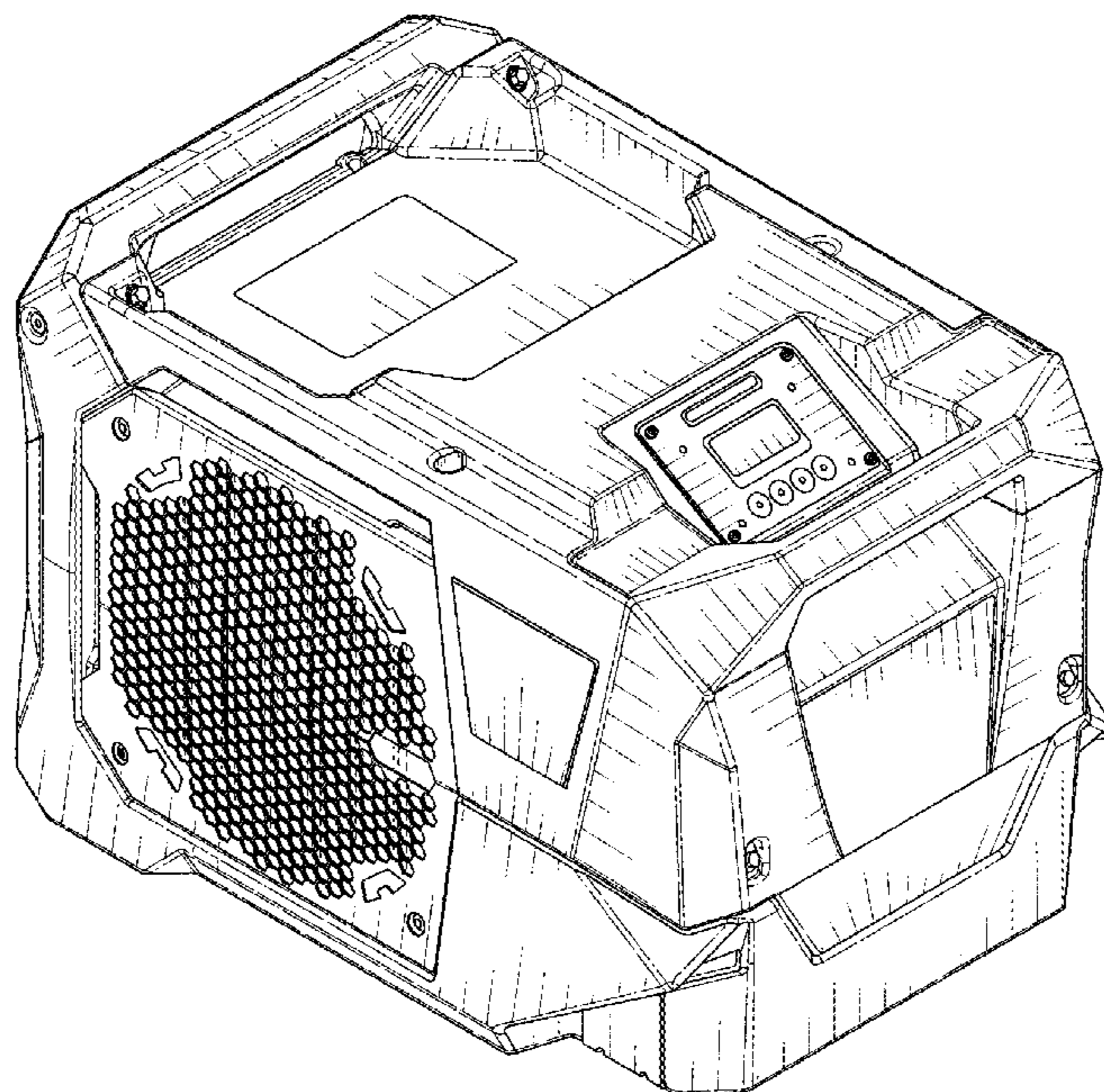
The ornamental design for a portable rugged dehumidifier, as shown and described.

DESCRIPTION

FIG. 1 is a top left elevation view of a portable rugged dehumidifier showing our new design; FIG. 2 is a top right elevation view of thereof; FIG. 3 is another top left elevation view thereof; FIG. 4 is another top right elevation view thereof; FIG. 5 is a bottom right elevation view of thereof; FIG. 6 is a bottom left elevation view of thereof; FIG. 7 is another bottom right elevation view of thereof; FIG. 8 is another bottom left elevation view of thereof; FIG. 9 is a left plan view thereof; FIG. 10 is a right plan view thereof; FIG. 11 is a back plan view thereof; FIG. 12 is a front plan view thereof; FIG. 13 is a top plan view thereof; and, FIG. 14 is a bottom plan view thereof.

The broken lines shown throughout these figures depict environmental subject matter only and form no part of the claimed design.

1 Claim, 14 Drawing Sheets



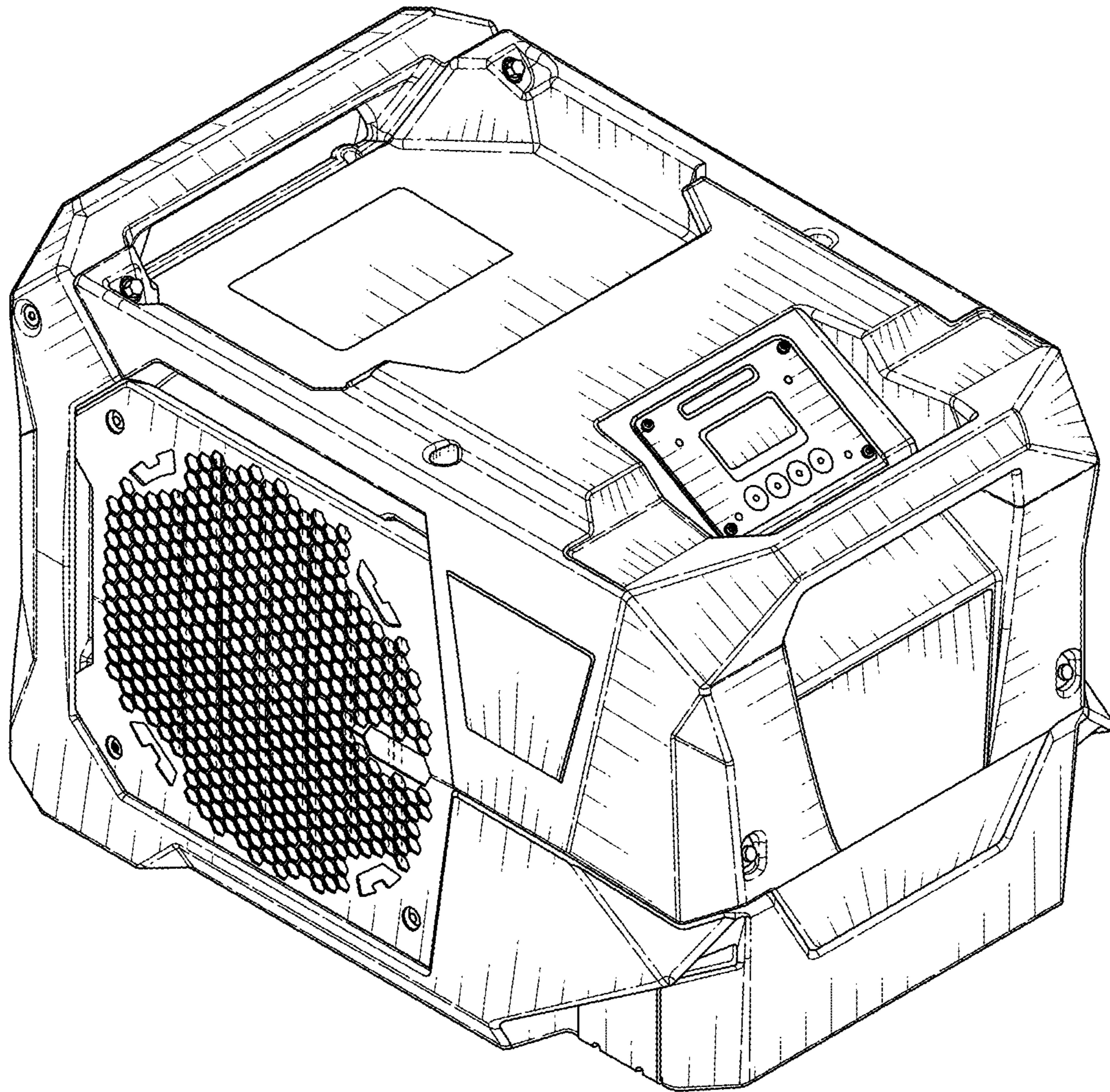


FIG. 1

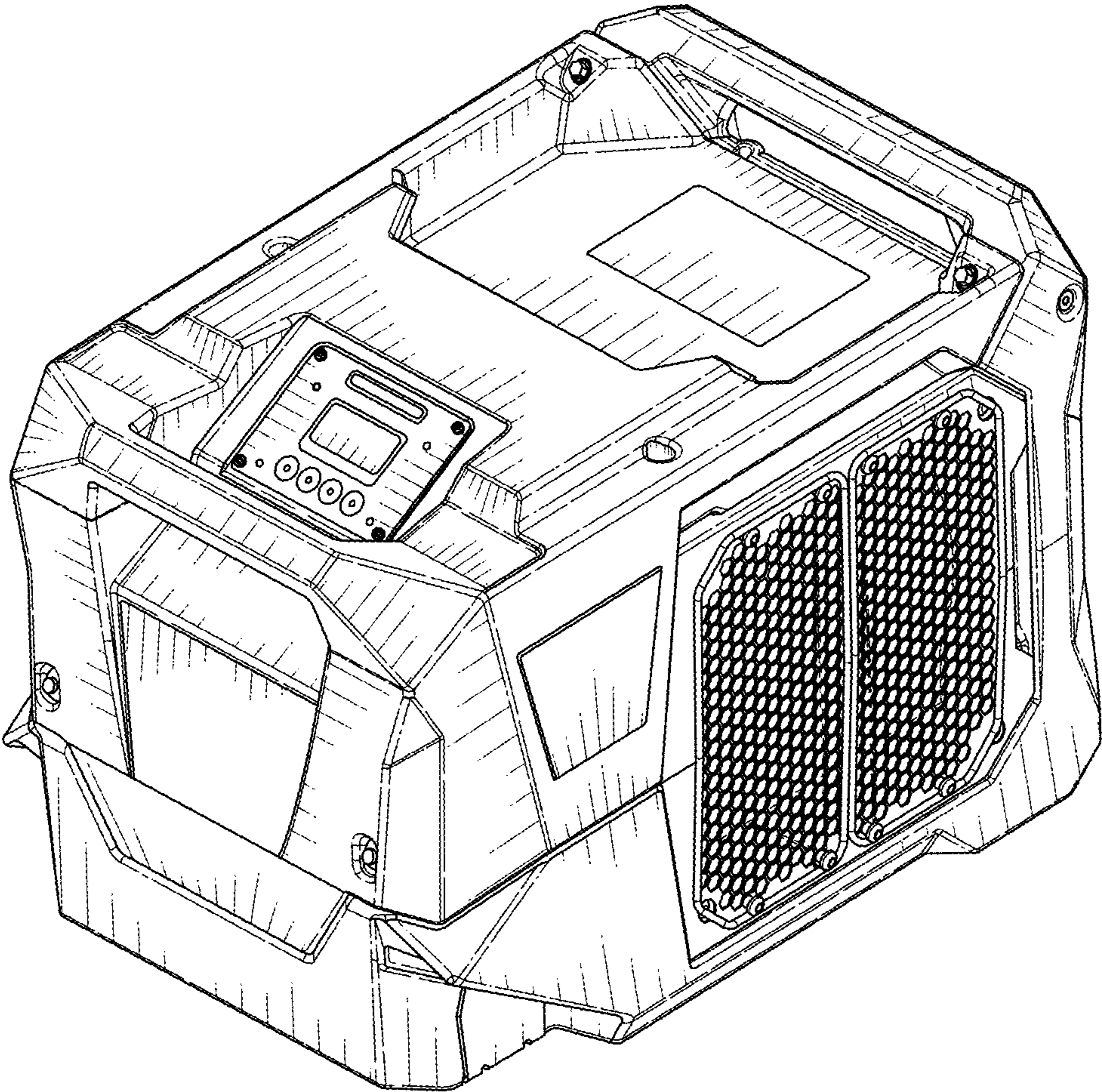


FIG. 2

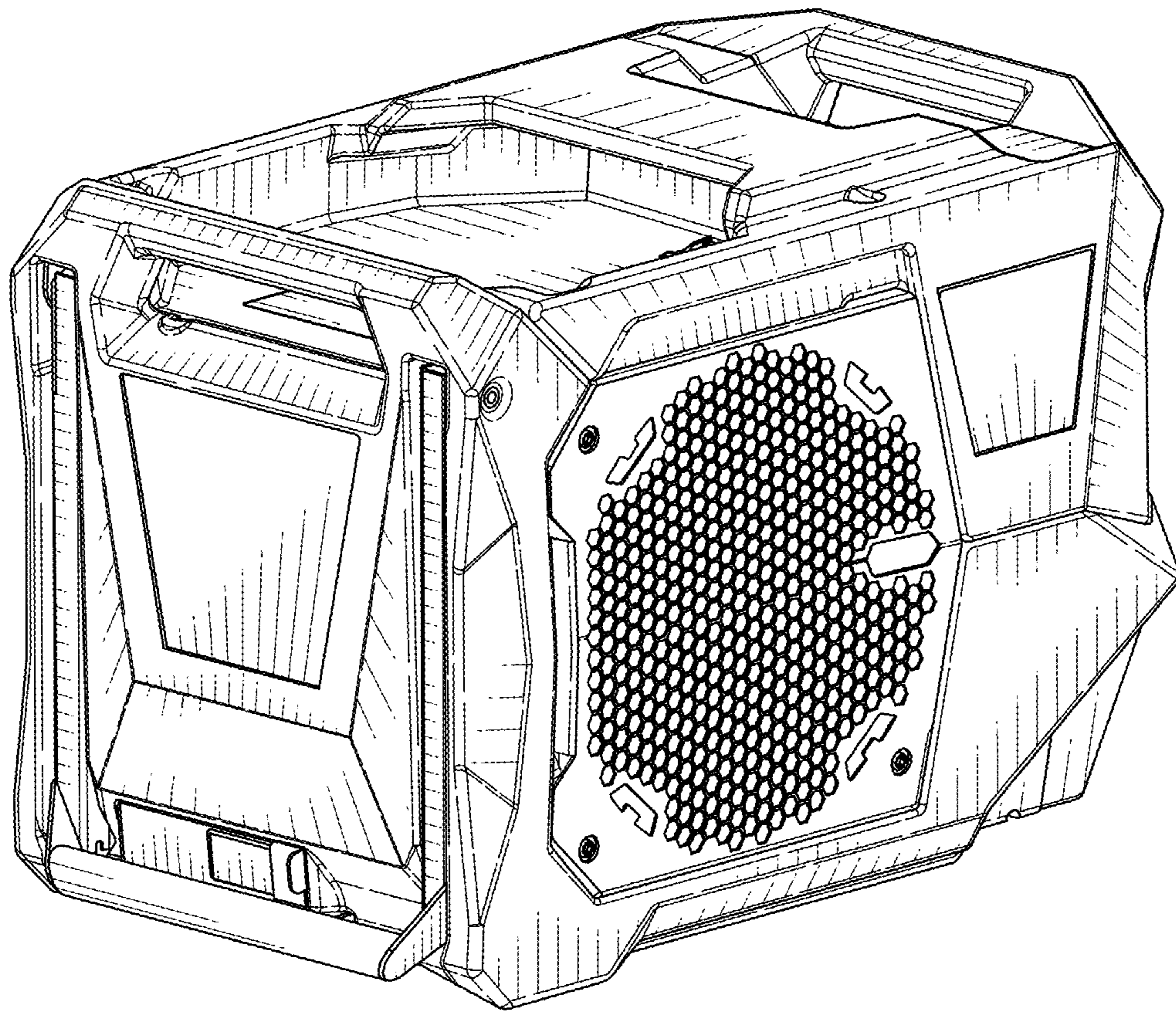


FIG. 3

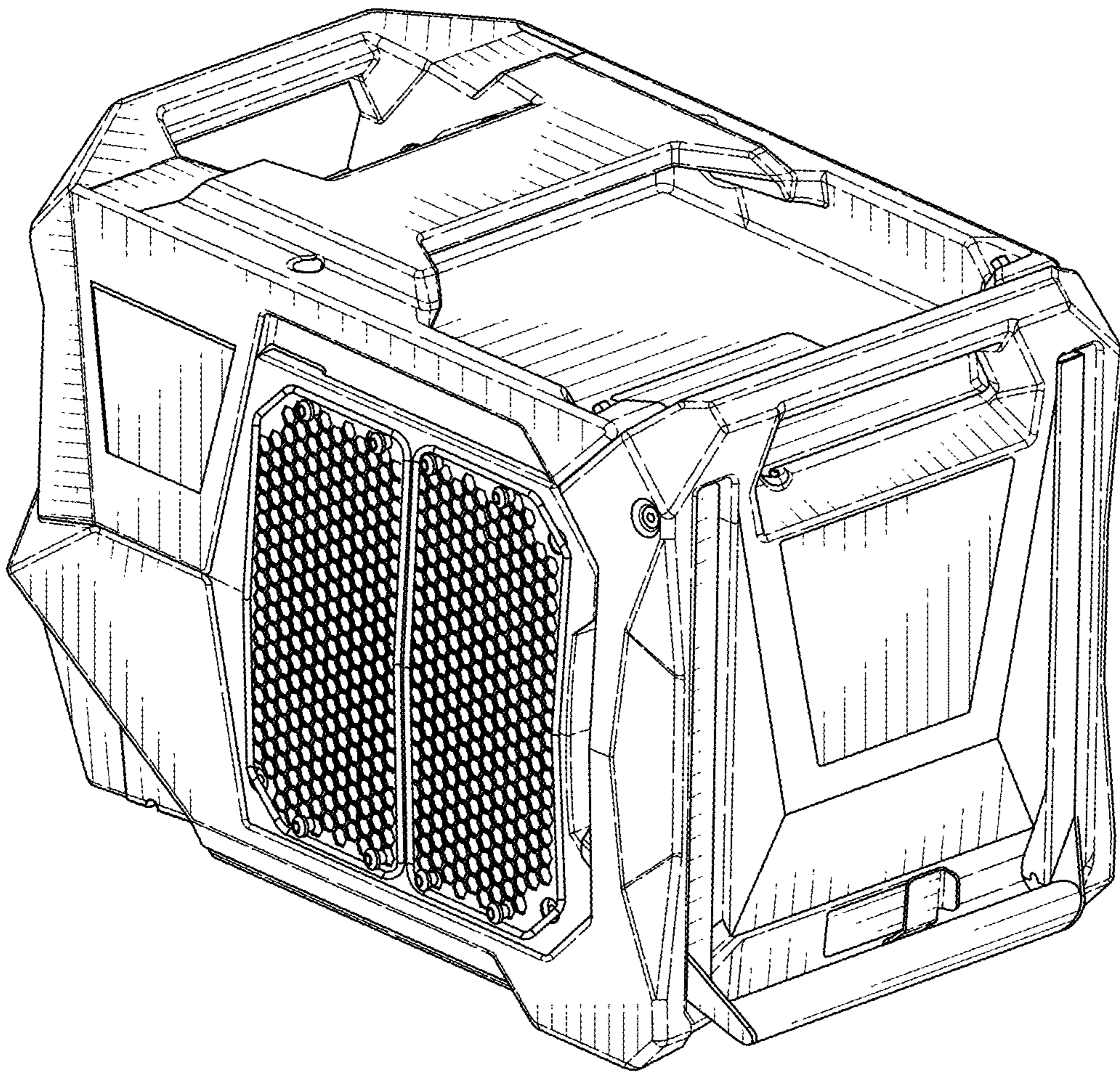


FIG. 4

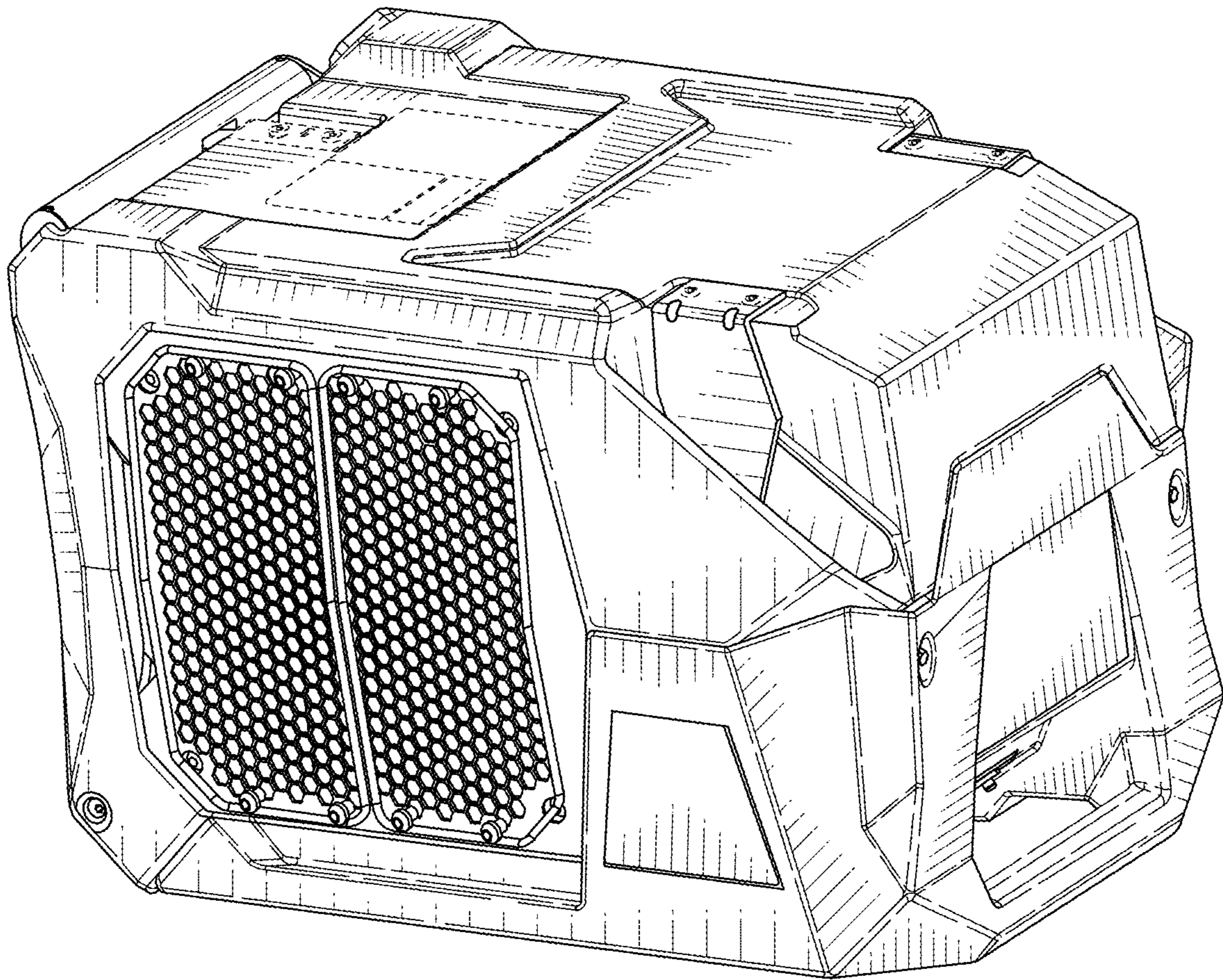


FIG. 5

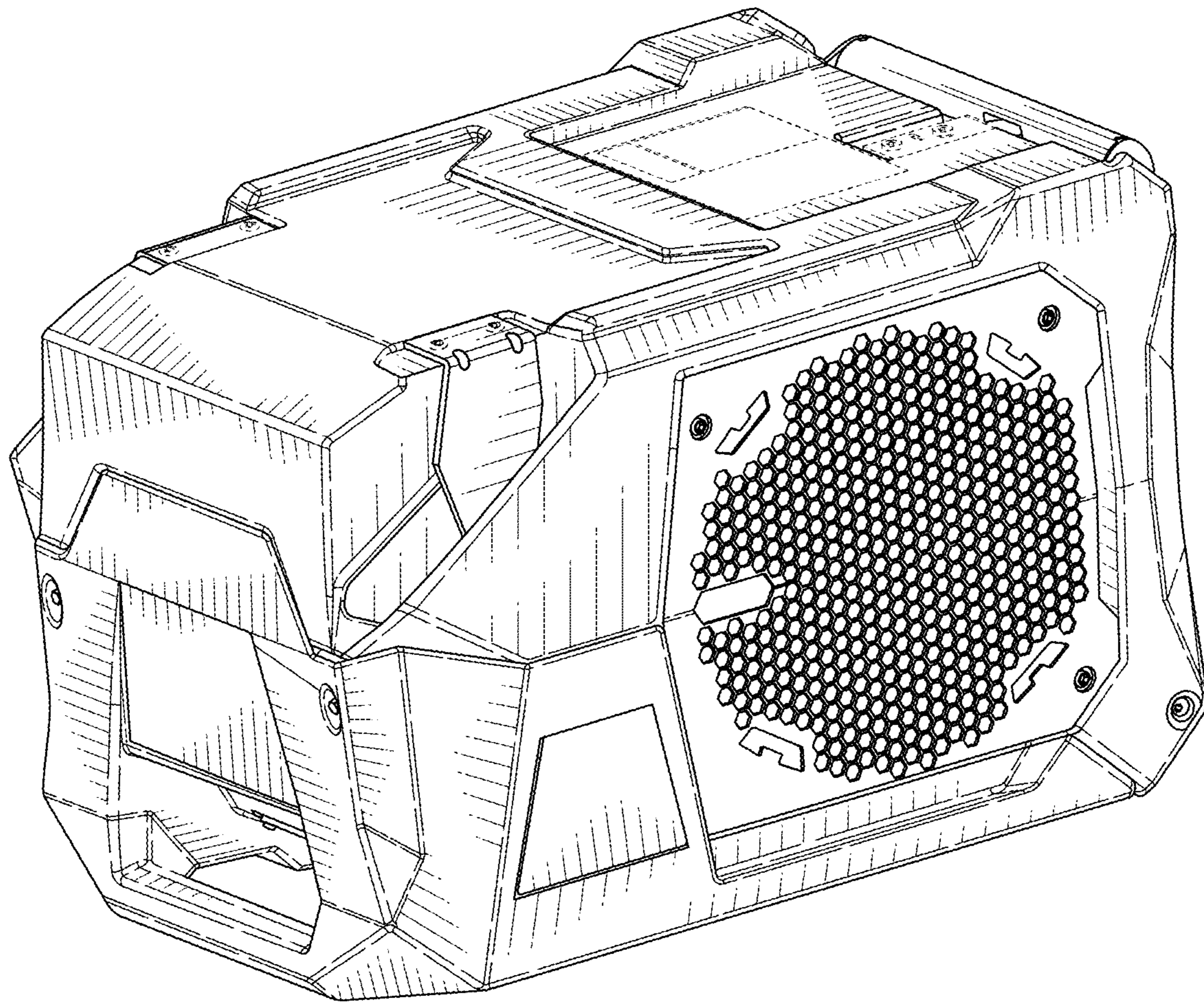


FIG. 6

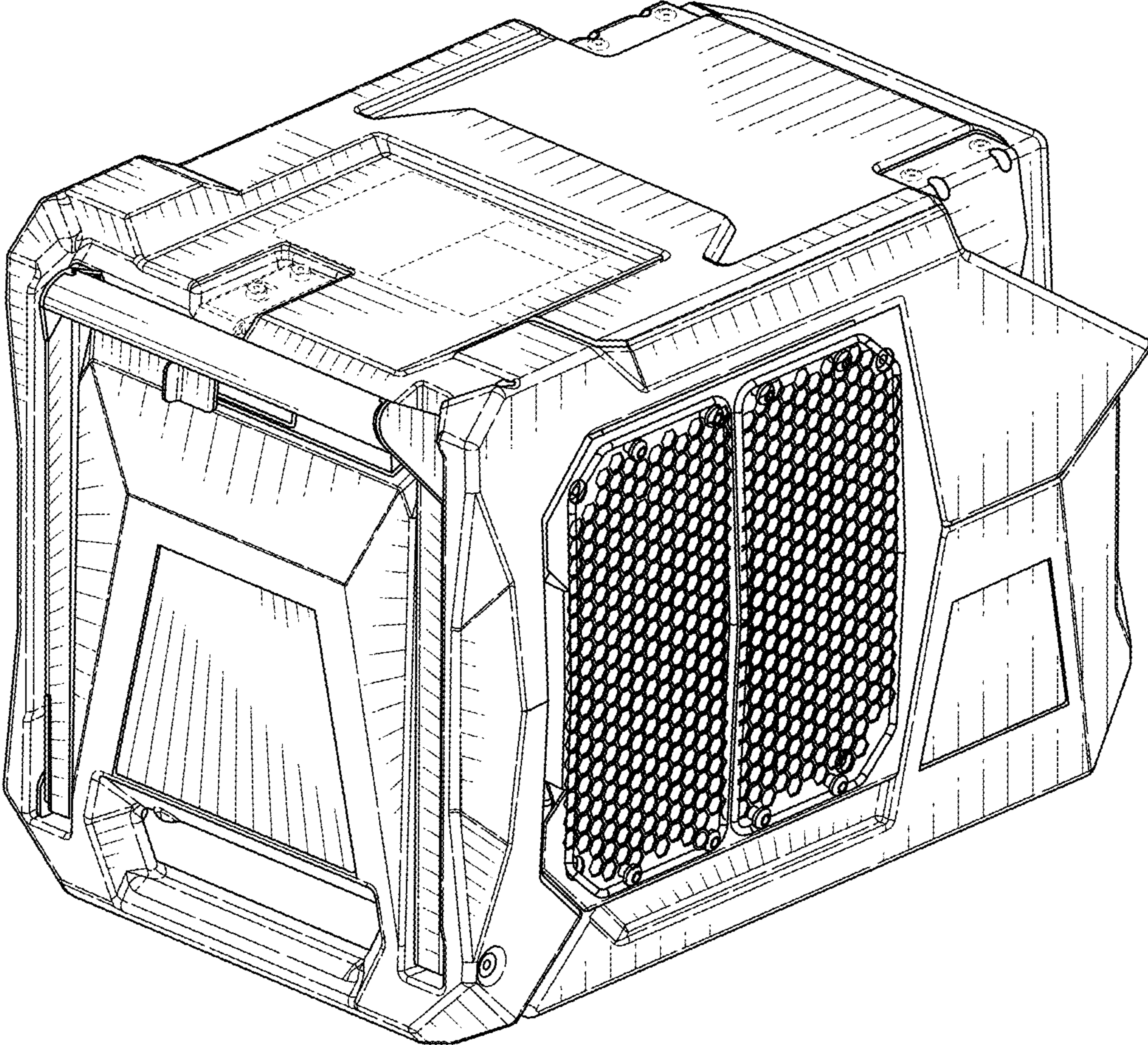


FIG. 7

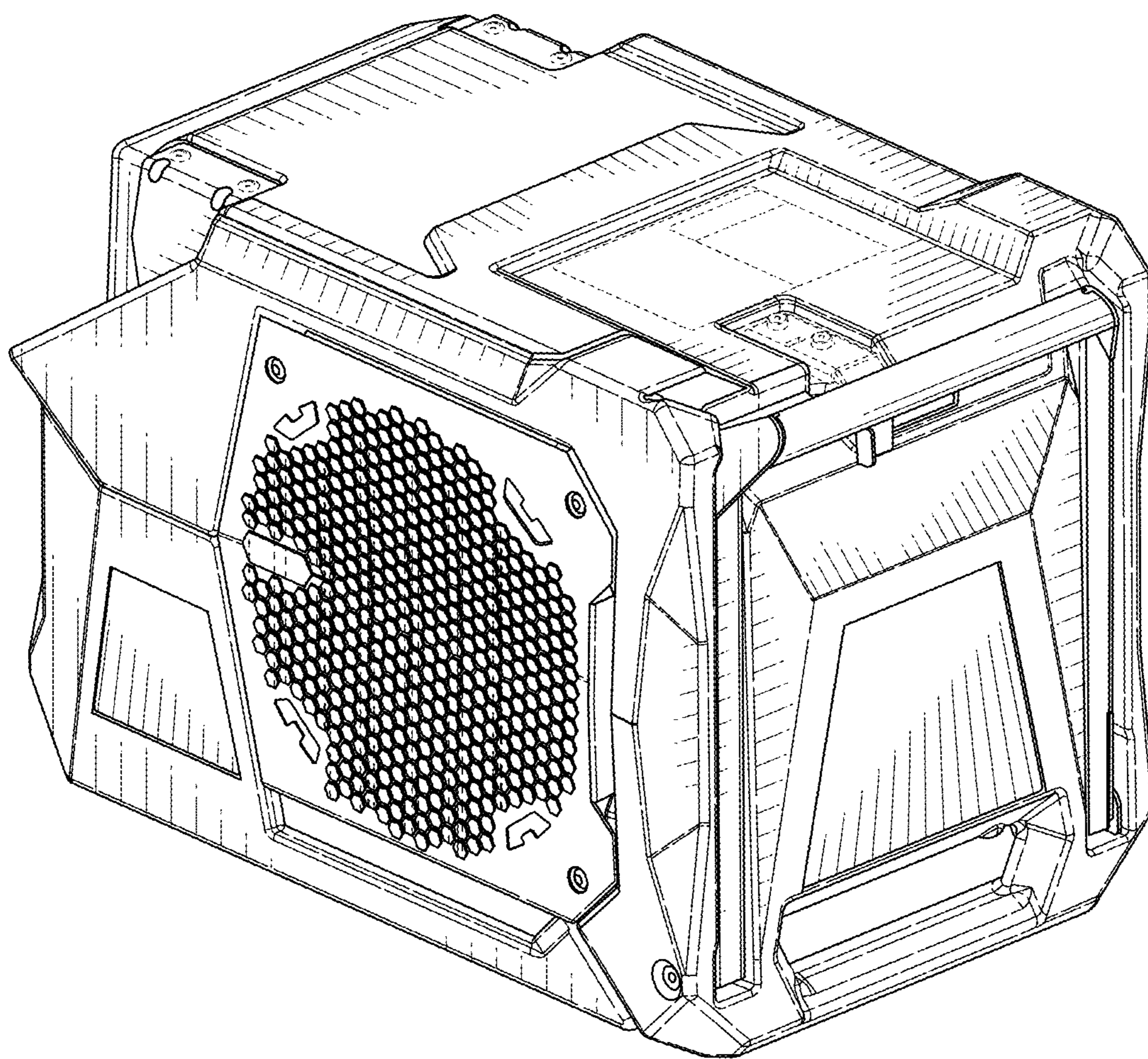


FIG. 8

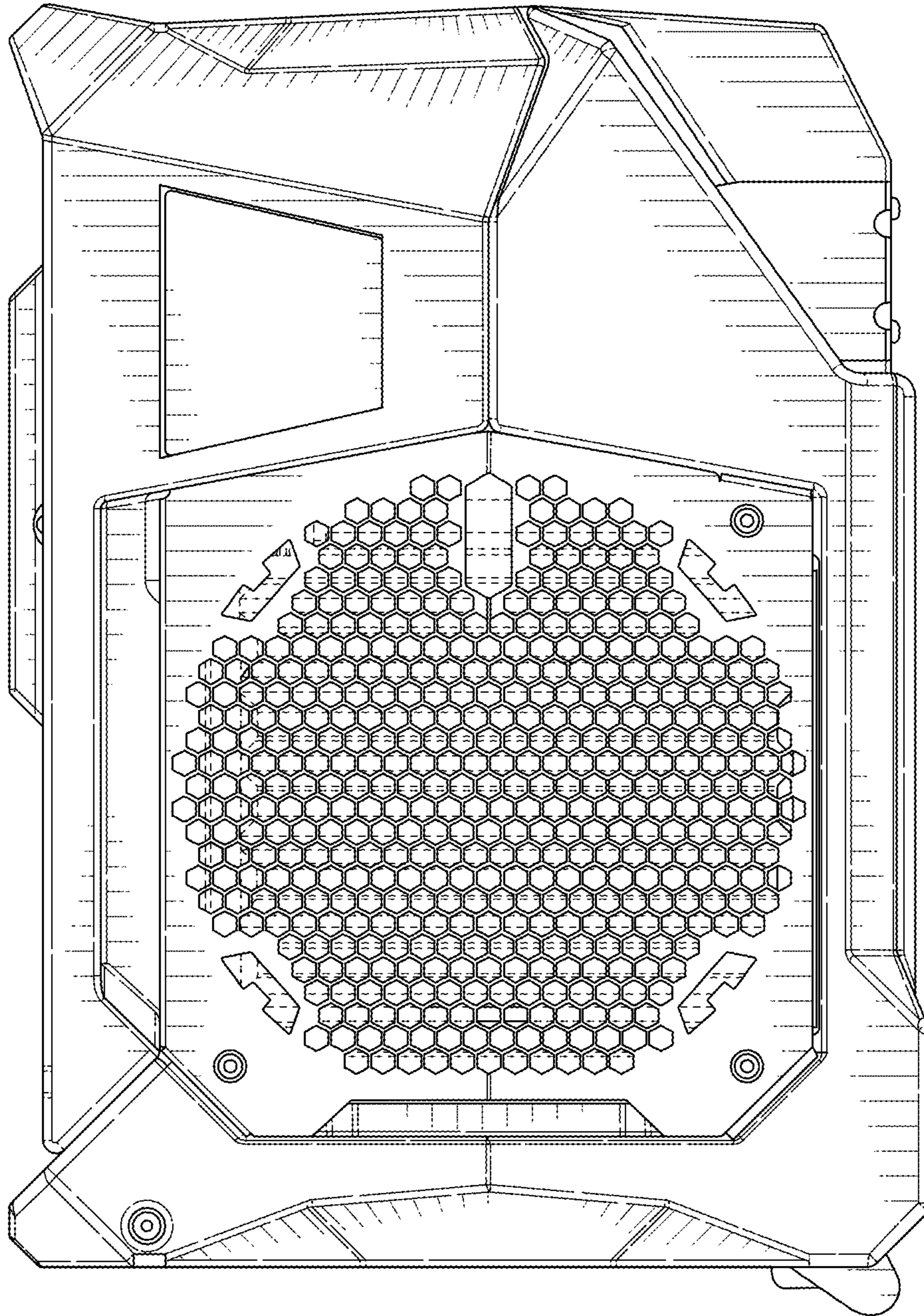


FIG. 9

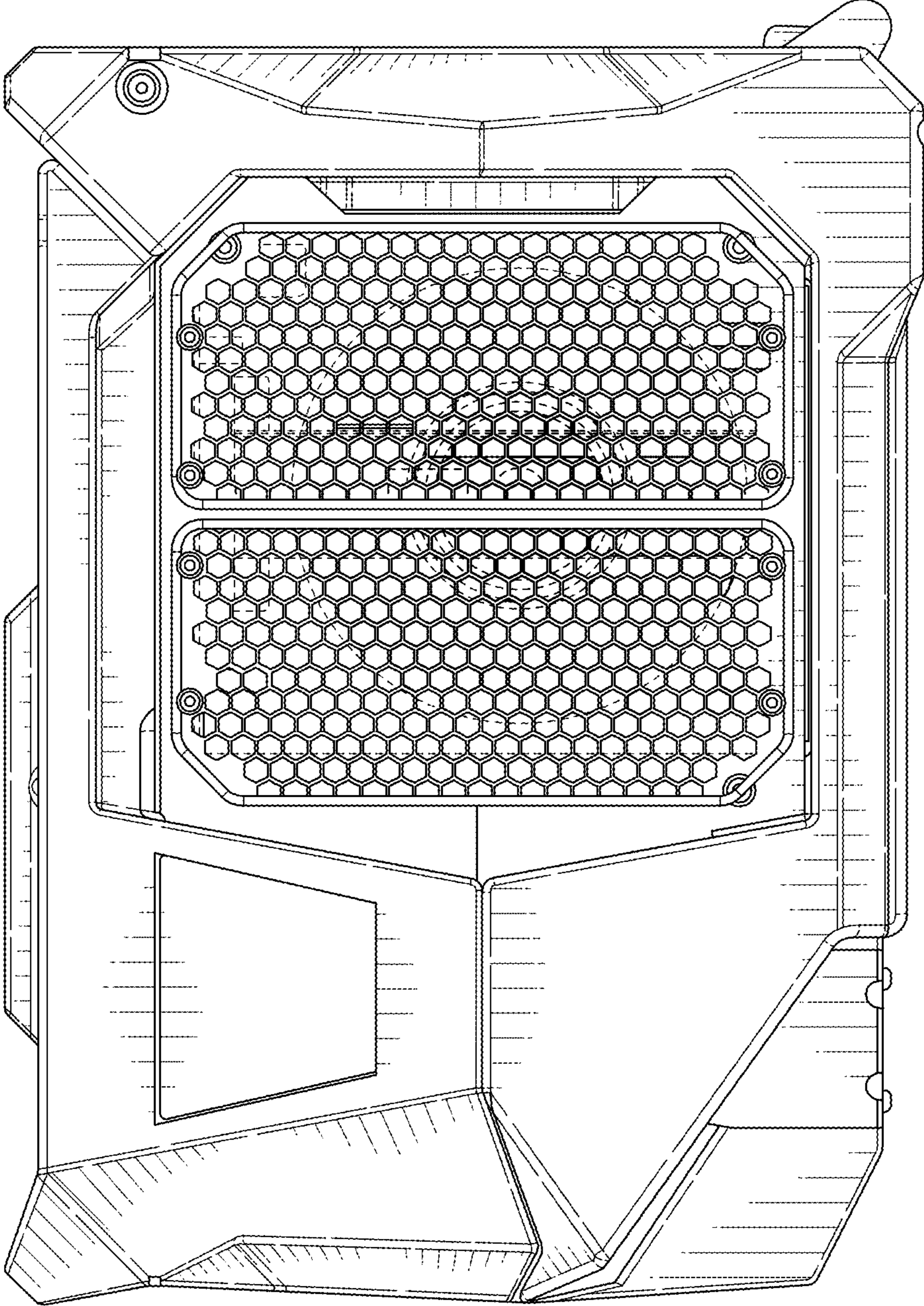


FIG. 10

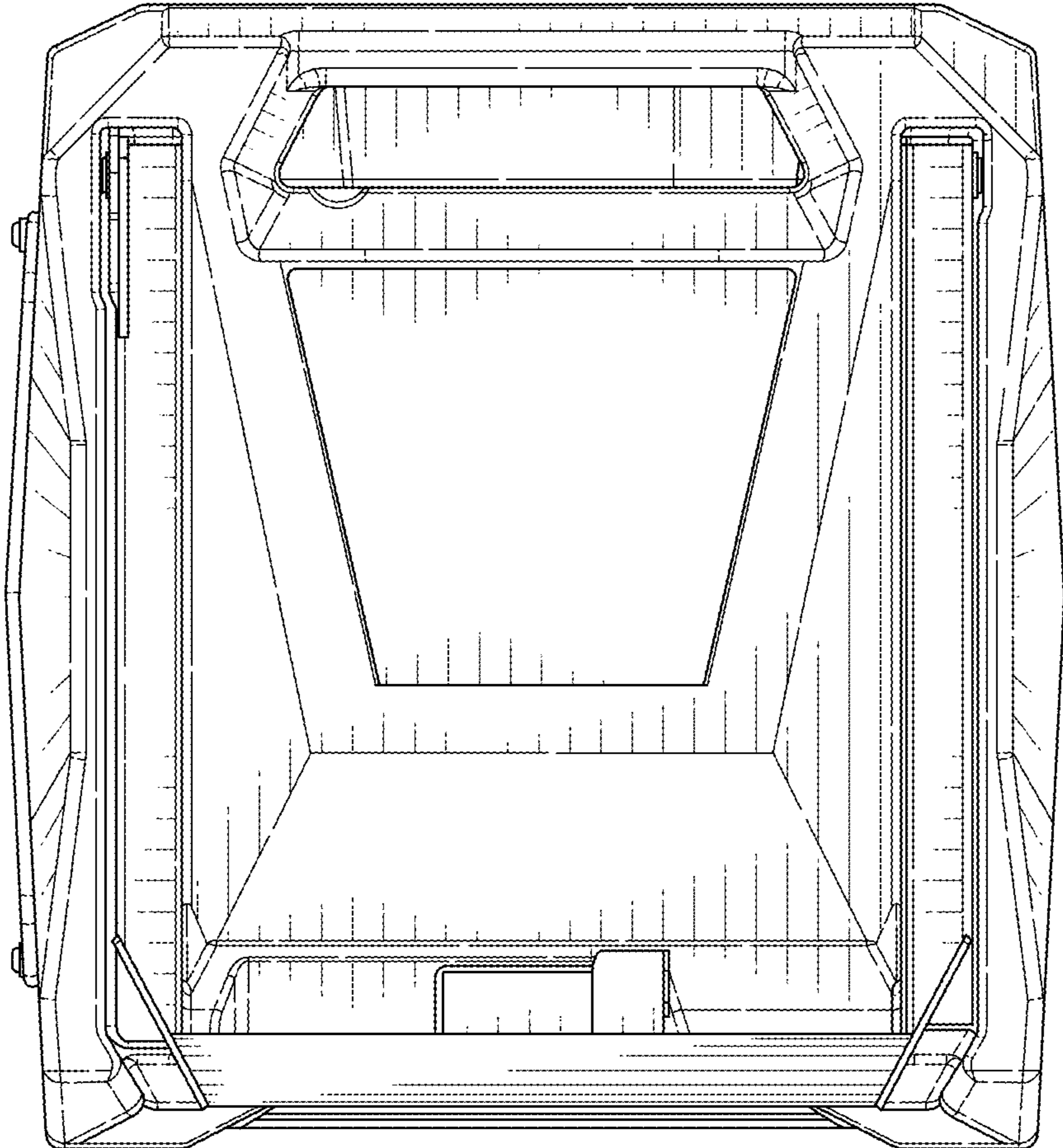


FIG. 11

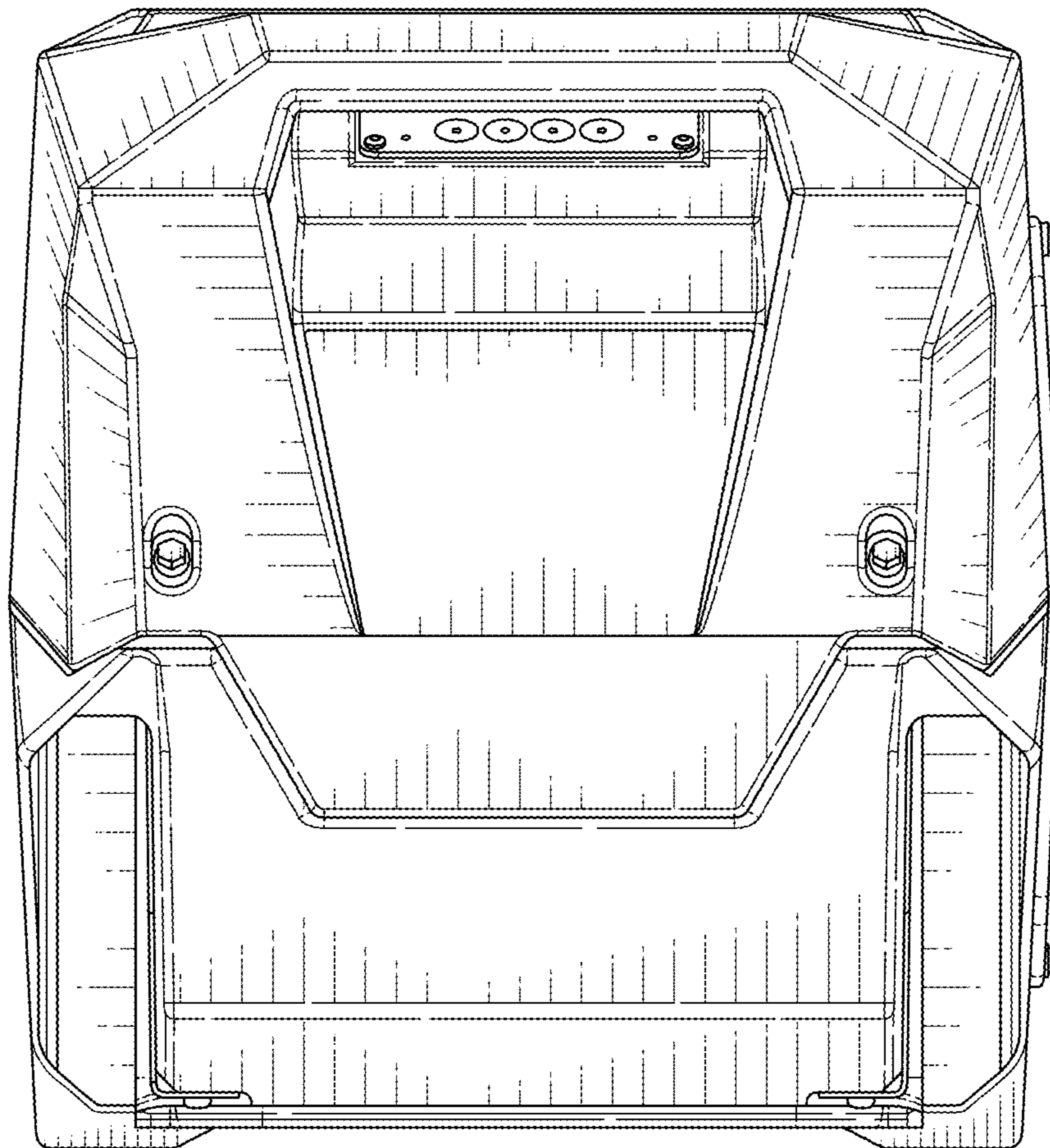


FIG. 12

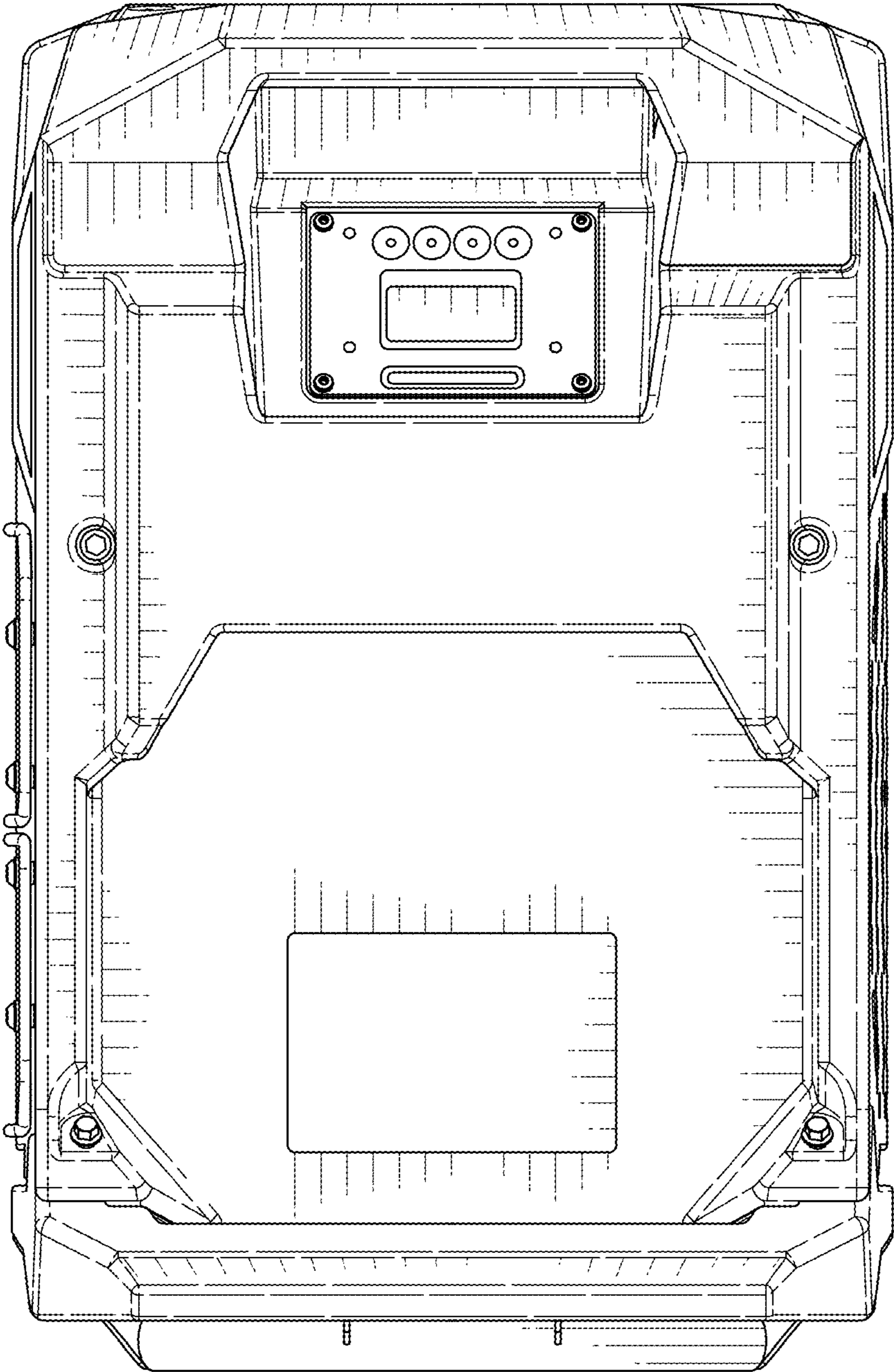


FIG. 13

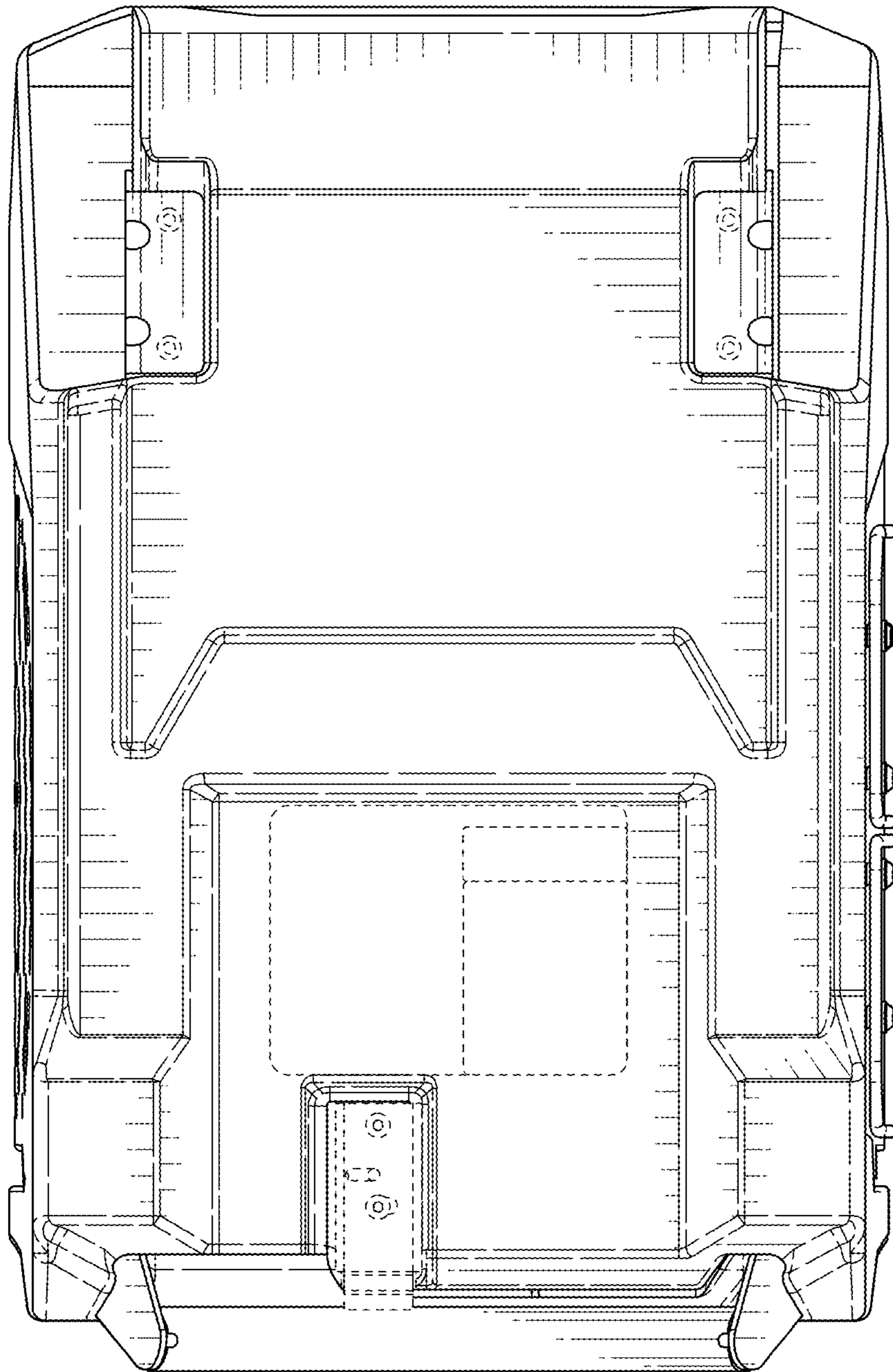


FIG. 14