



US00D922555S

(12) **United States Design Patent** (10) **Patent No.:** **US D922,555 S**
Evans et al. (45) **Date of Patent:** **** Jun. 15, 2021**

- (54) **CARTRIDGE AND HEATER BASE FOR A HUMIDIFIER**
- (71) Applicant: **Fisher & Paykel Healthcare Limited**, Auckland (NZ)
- (72) Inventors: **Stephen David Evans**, Auckland (NZ); **Jason Allan Klenner**, Auckland (NZ); **Neil Gray Duthie**, Auckland (NZ); **Nicholas James Michael McKenna**, Auckland (NZ); **Myfanwy Jane Antica Norton**, Auckland (NZ); **Richard William Mosley**, Auckland (NZ); **Sandeep Singh Gurm**, Auckland (NZ)
- (73) Assignee: **Fisher & Paykel Healthcare Limited**, Auckland (NZ)

(**) Term: **15 Years**

(21) Appl. No.: **29/659,971**

(22) Filed: **Aug. 14, 2018**

Related U.S. Application Data

(62) Division of application No. 29/540,279, filed on Sep. 22, 2015, now Pat. No. Des. 828,528.

(51) **LOC (13) Cl.** **23-04**

(52) **U.S. Cl.**
USPC **D23/358**

(58) **Field of Classification Search**
 USPC D23/355–366, 352, 369, 332, 333, 335, D23/336, 342, 351; 422/120, 122; 55/356, 473, 504; 96/97; 261/DIG. 17, 261/DIG. 65, DIG. 88, DIG. 31
 CPC .. A61L 9/16; A61L 9/22; B01D 47/00; B01D 47/027; B01D 2221/02; B01D 2259/4508; B03C 3/155; B03C 3/368; F24F 3/16; F24F 13/20; F24F 13/28; F24F 2001/0096

See application file for complete search history.

(56) **References Cited**

U.S. PATENT DOCUMENTS

2,369,375 A	2/1945	Sonntag	
3,382,791 A	5/1968	Henry-Biabaud	
D229,693 S	12/1973	Morrow	
D337,817 S *	7/1993	Brock	D23/356
5,536,375 A	7/1996	Vogelman	
D376,640 S	12/1996	Kloster	
6,053,483 A *	4/2000	Chen	A61L 9/122 261/104
D528,643 S	9/2006	Wang	
D542,900 S *	5/2007	Snow	D23/356
D580,539 S *	11/2008	Rittri	D23/364
D645,131 S	9/2011	Chan	
D664,299 S *	7/2012	Ishida	D28/54.1
D665,870 S	8/2012	Fang	
D669,154 S *	10/2012	Choi	D23/207

(Continued)

Primary Examiner — David G Muller

(74) *Attorney, Agent, or Firm* — Knobbe Martens Olson & Bear, LLP

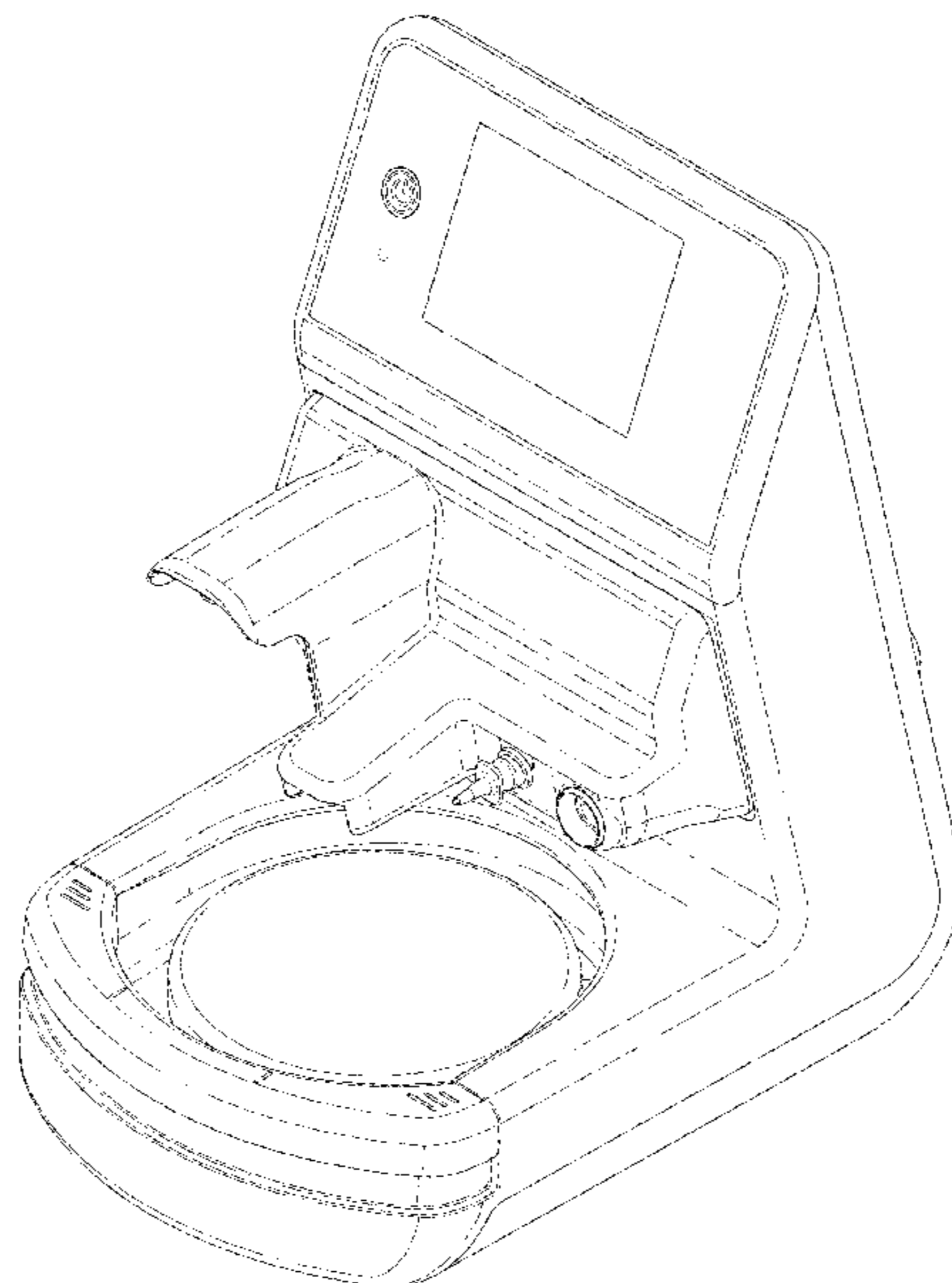
(57) **CLAIM**

The ornamental design for a cartridge and heater base for a humidifier, as shown and described.

DESCRIPTION

FIG. 1 is a top, front and side perspective view of a cartridge and heater base for a humidifier embodying our new design; FIG. 2 is a front view thereof; FIG. 3 is a rear view thereof; FIG. 4 is a first side view thereof; FIG. 5 is a second side view thereof; FIG. 6 is a top view thereof; and, FIG. 7 is a bottom view thereof. Broken lines are used to illustrate features of the cartridge for a humidifier, which form no part of the claimed design.

1 Claim, 7 Drawing Sheets



(56)

References Cited

U.S. PATENT DOCUMENTS

D673,668	S	1/2013	Lingenfelter	
D686,369	S *	7/2013	Horvath	D28/58
D701,296	S *	3/2014	Engelhardt	D23/360
D710,983	S	8/2014	Miller	
D715,417	S	10/2014	McCoy	
D716,934	S	11/2014	Hertreiter	
D722,150	S	2/2015	Heine	
D742,591	S *	11/2015	Takiguchi	D28/54.1
D772,388	S *	11/2016	Hamilton	D23/356
D806,851	S *	1/2018	Bischoff	D23/366
D828,528	S	9/2018	Evans et al.	
10,232,076	B2 *	3/2019	Lee	A61L 9/14
2015/0027204	A1 *	1/2015	Stoks	A61M 16/024 73/31.05

* cited by examiner

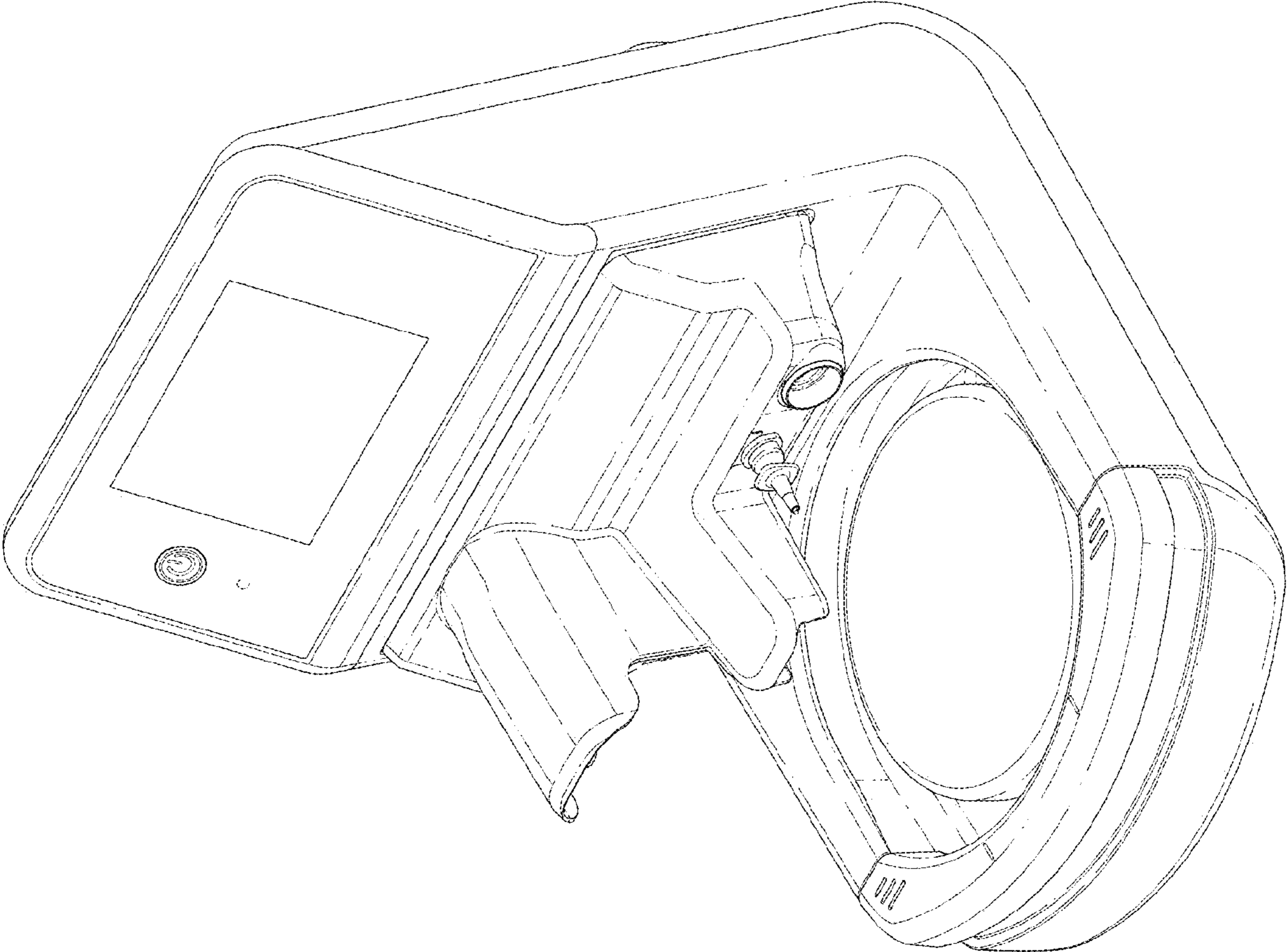


FIG. 1

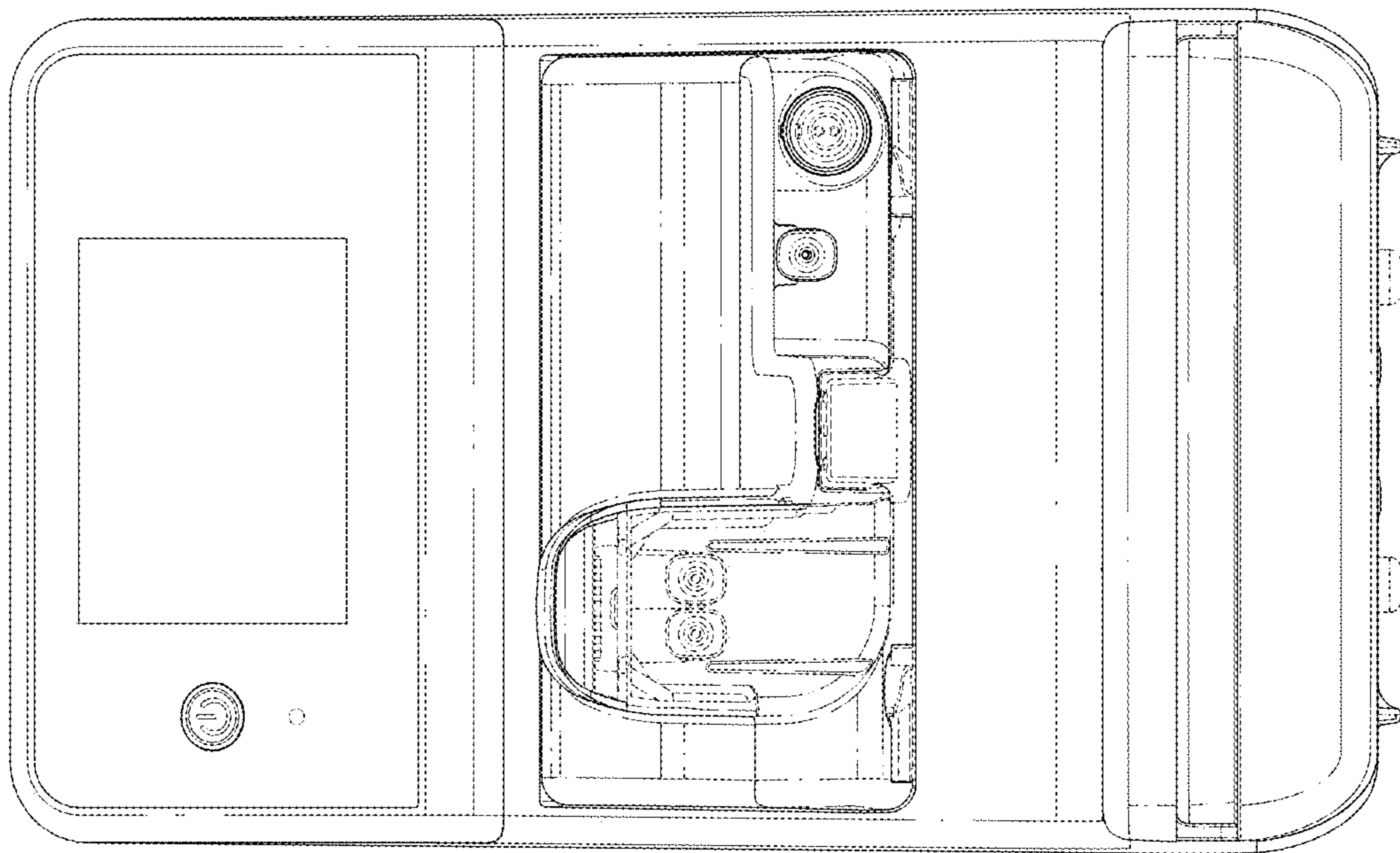


FIG. 2

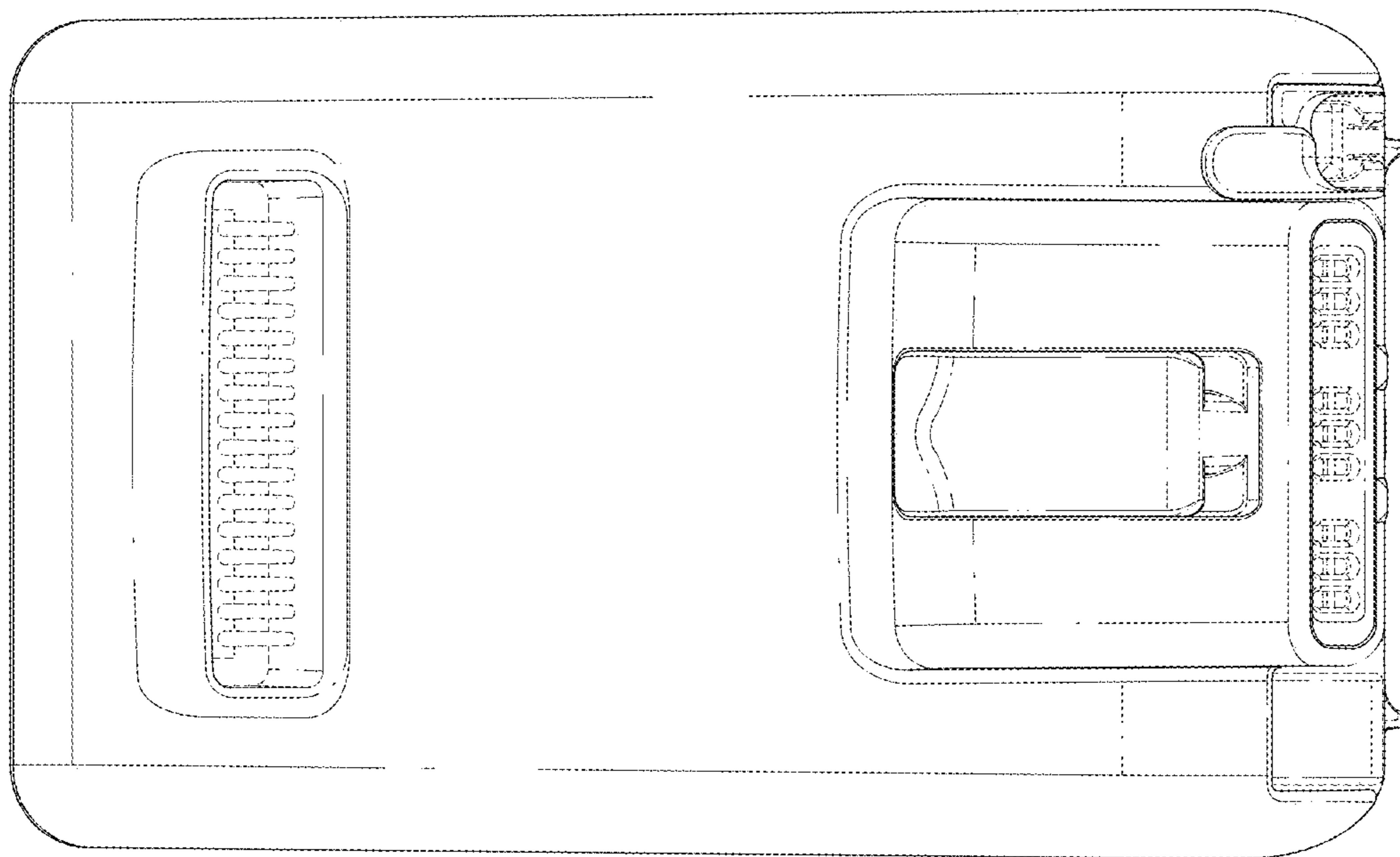


FIG. 3

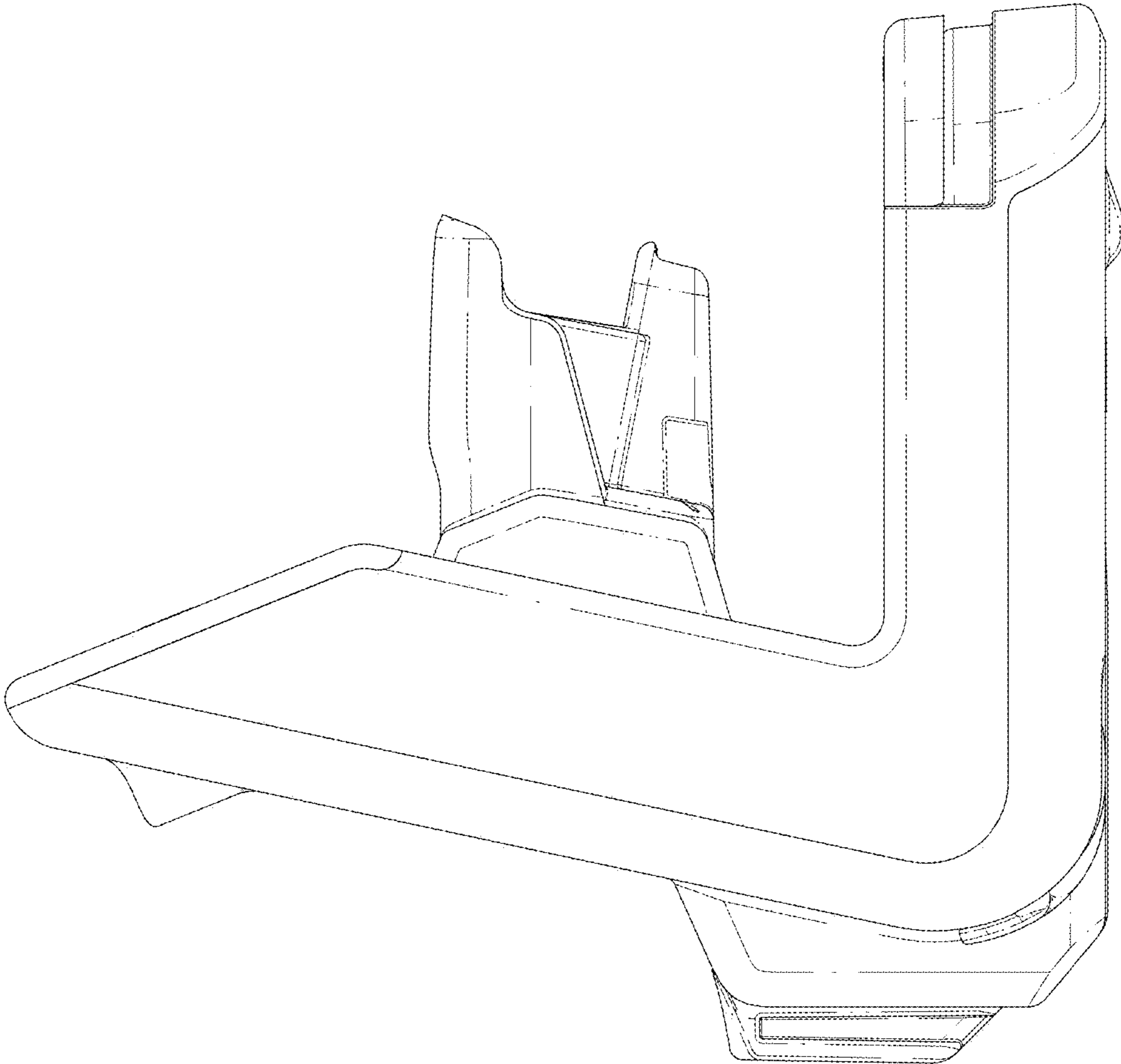


FIG. 4

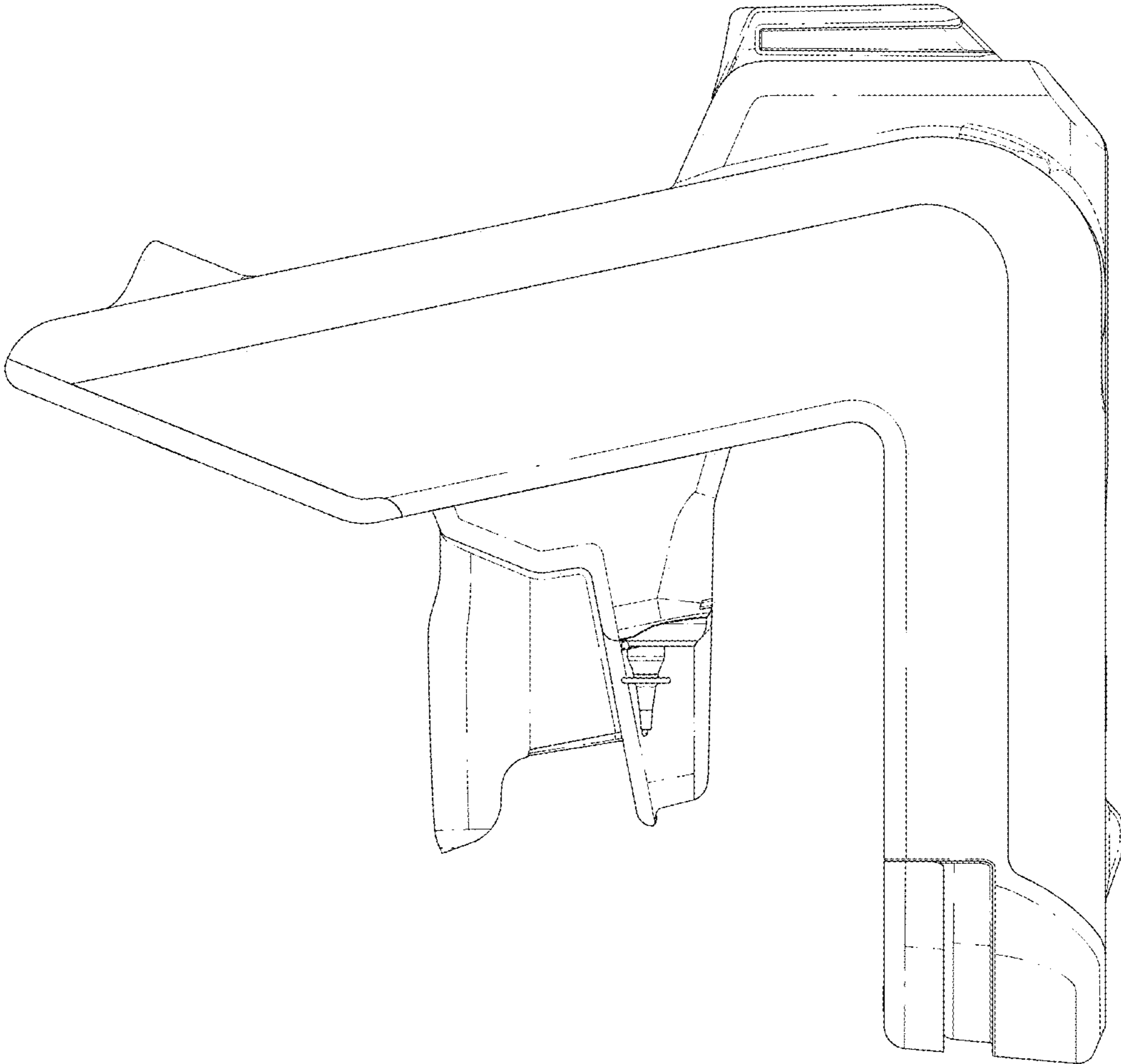


FIG. 5

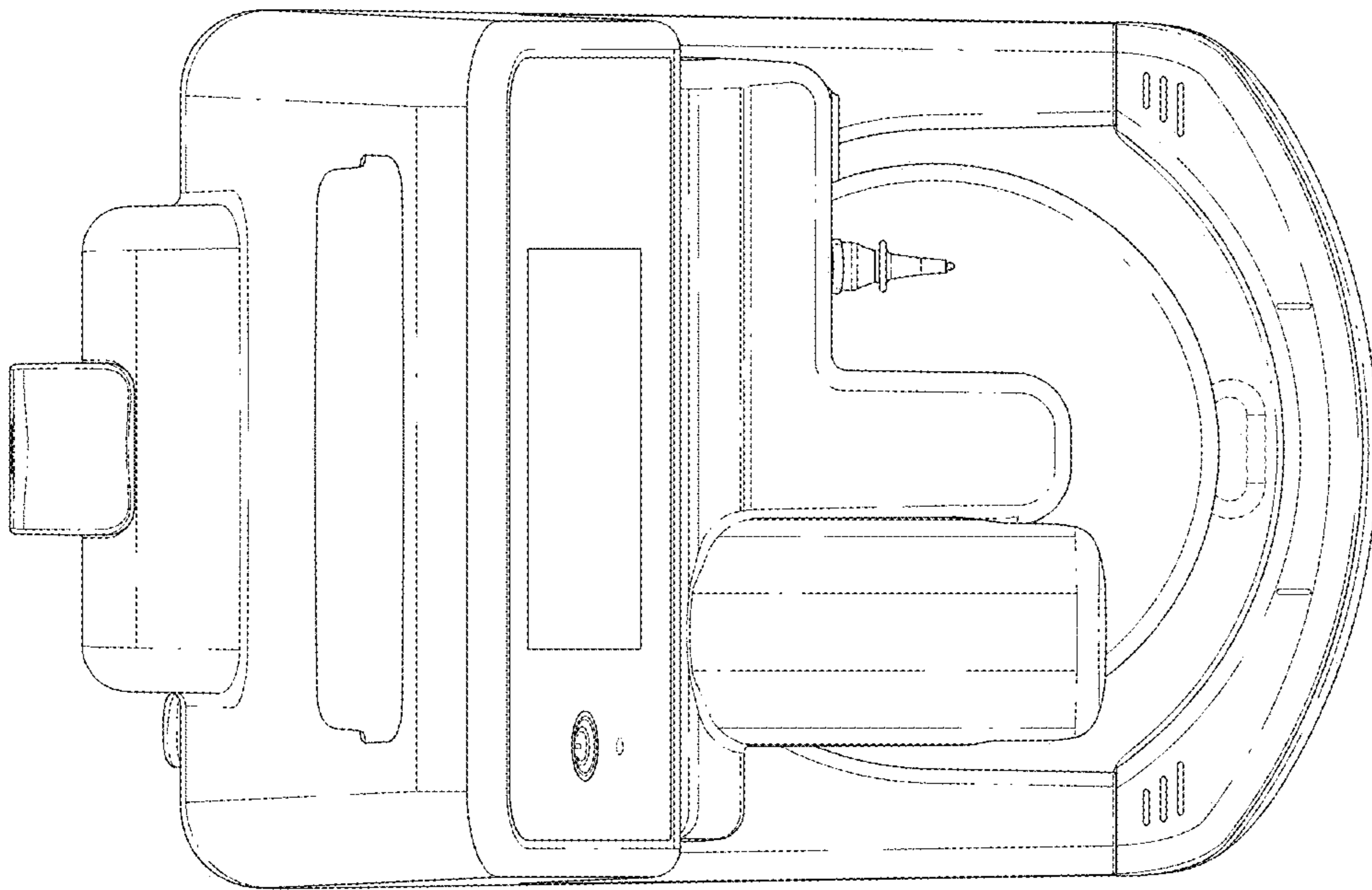


FIG. 6

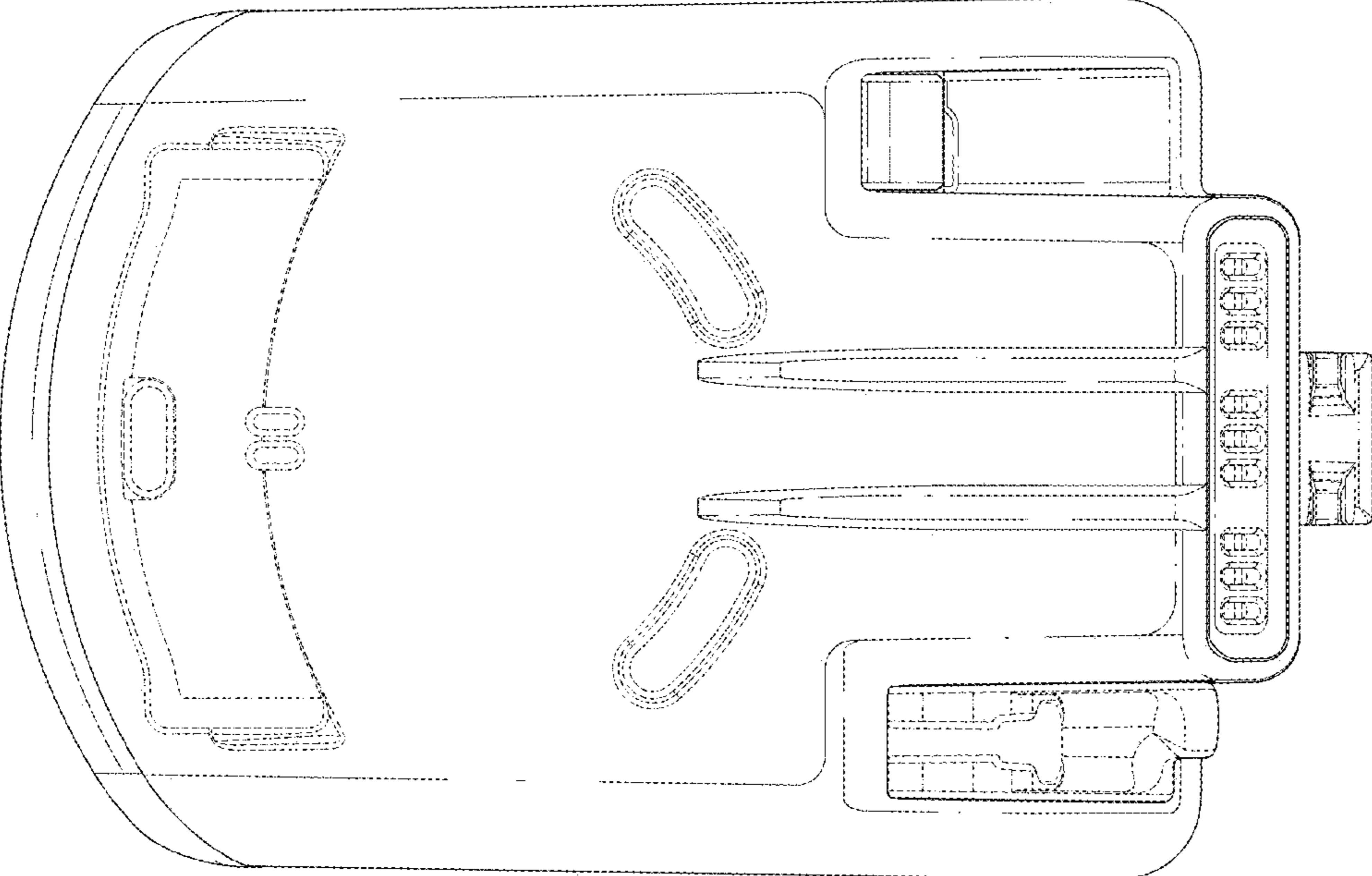


FIG. 7