



US00D922553S

(12) **United States Design Patent**  
**Kim et al.**

(10) **Patent No.:** **US D922,553 S**

(45) **Date of Patent:** **\*\* Jun. 15, 2021**

(54) **AIR CONDITIONER**

(71) Applicant: **Samsung Electronics Co., Ltd.**,  
Suwon-si (KR)

(72) Inventors: **Kangdo Kim**, Suwon-si (KR); **Sangin Lee**, Suwon-si (KR); **Suhyun Yoo**, Suwon-si (KR)

(73) Assignee: **Samsung Electronics Co., Ltd.**,  
Suwon-si (KR)

(\*\*) Term: **15 Years**

(21) Appl. No.: **29/713,955**

(22) Filed: **Nov. 20, 2019**

(30) **Foreign Application Priority Data**

May 23, 2019 (KR) ..... 30-2019-0024456

(51) **LOC (13) Cl.** ..... **23-04**

(52) **U.S. Cl.**  
USPC ..... **D23/351**

(58) **Field of Classification Search**  
USPC ..... D23/333, 351-354, 388  
CPC .... F24F 1/00; F24F 1/0007; F24F 1/02; F24F 1/08; F24F 1/42; F24F 1/56; F24F 1/60; F24F 3/044; F24F 3/048; F24F 3/16; G05D 23/1905; G05D 23/1932; G05D 23/1902; G05D 23/1931; G05B 19/0426; G05B 19/409; G05B 15/02  
See application file for complete search history.

(56) **References Cited**

**U.S. PATENT DOCUMENTS**

D529,595 S \* 10/2006 Ueno ..... D23/351  
D558,866 S 1/2008 Yamamoto  
D579,095 S \* 10/2008 Nagahori ..... D23/351  
D584,806 S \* 1/2009 Oh ..... D23/351  
D593,666 S \* 6/2009 Nakamura ..... D23/351

D605,266 S \* 12/2009 Nakamura ..... D23/351  
D621,018 S \* 8/2010 Nagahori ..... D23/351  
D624,168 S \* 9/2010 Aketa ..... D23/351  
D642,251 S \* 7/2011 Seki ..... D23/351  
D676,119 S \* 2/2013 Baek ..... D23/351

(Continued)

**FOREIGN PATENT DOCUMENTS**

EM 000665724-0003 5/2007  
EM 002707810-0001 6/2015  
EM 002762161-0001 9/2015

*Primary Examiner* — Natasha Vujcic

(74) *Attorney, Agent, or Firm* — NSIP Law

(57) **CLAIM**

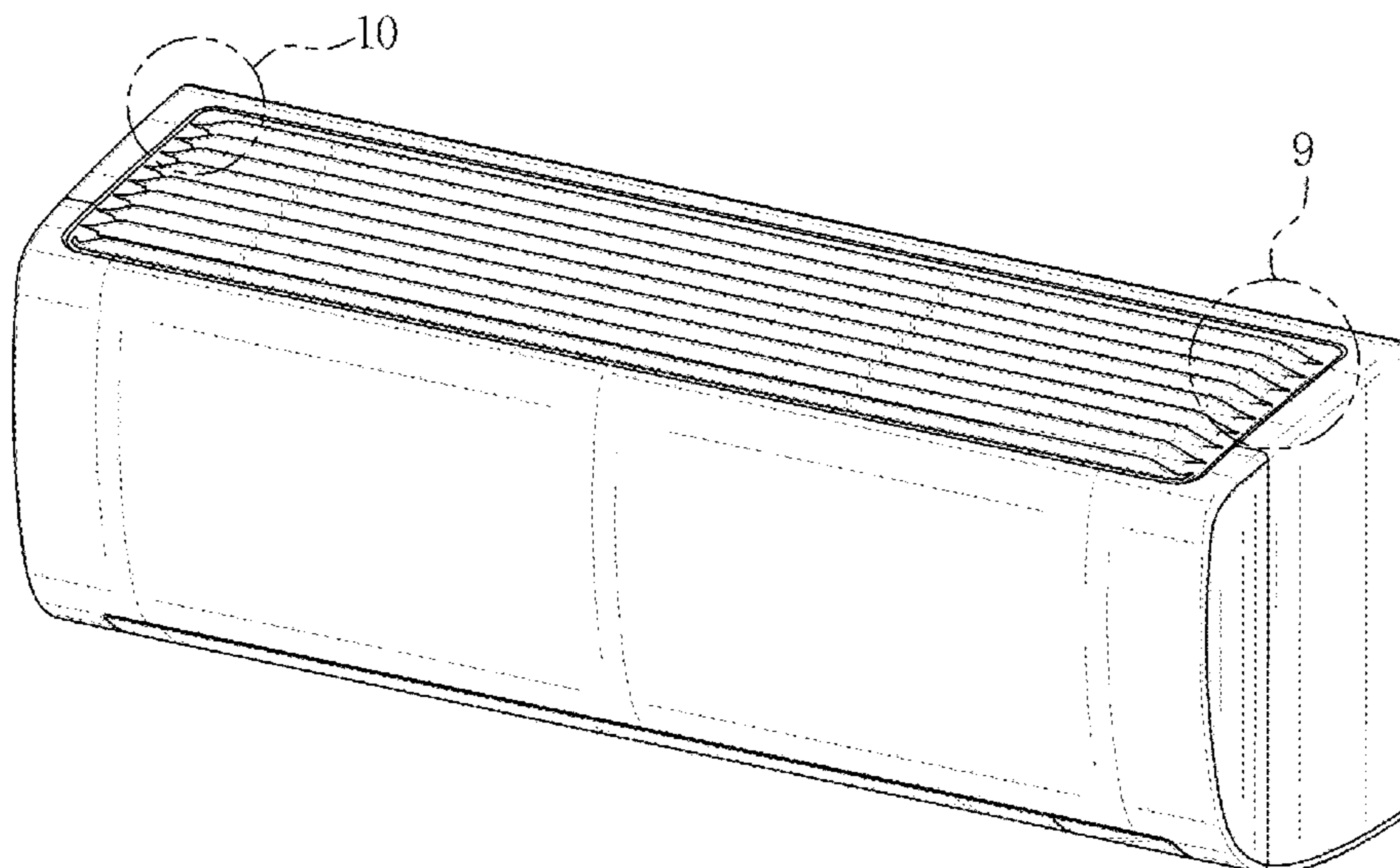
We claim the ornamental design for an air conditioner, as shown and described.

**DESCRIPTION**

FIG. 1 is a front perspective view of an air conditioner showing our new design;  
FIG. 2 is a front view thereof;  
FIG. 3 is a rear view thereof;  
FIG. 4 is a left-side view thereof;  
FIG. 5 is a right-side view thereof;  
FIG. 6 is a top view thereof;  
FIG. 7 is a bottom view thereof;  
FIG. 8 is a bottom perspective view thereof;  
FIG. 9 is an enlarged view of the encircled portion in FIG. 1;  
FIG. 10 is an enlarged view of the encircled portion in FIG. 1; and,  
FIG. 11 is an enlarged view of the encircled portion in FIG. 8.

The dash-dash broken lines in the figures depict portions of the air conditioner which form no part of the claimed design. The dot-dot-dash broken lines encircling portions of the claimed design that are illustrated in enlargements form no part of the claimed design.

**1 Claim, 11 Drawing Sheets**



(56)

**References Cited**

U.S. PATENT DOCUMENTS

D681,180 S	4/2013	Chouji	
D700,958 S *	3/2014	Ikegaya .....	D23/351
D720,059 S *	12/2014	Niki .....	D23/351
D814,001 S *	3/2018	Arai .....	D23/351
D901,659 S *	11/2020	Yuan .....	D23/351
D909,554 S *	2/2021	Ikegaya .....	D23/351

\* cited by examiner

FIG. 1

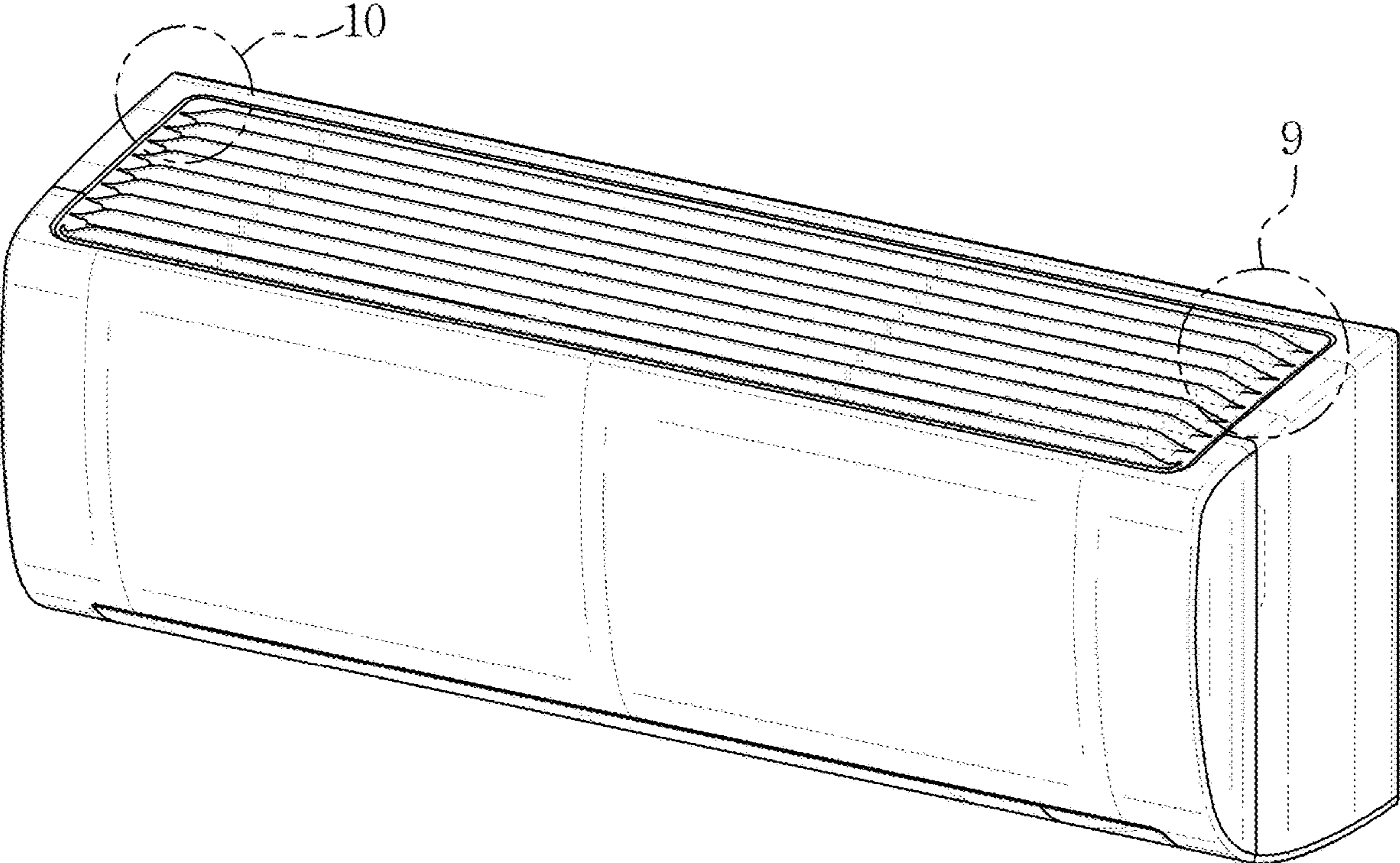


FIG. 2

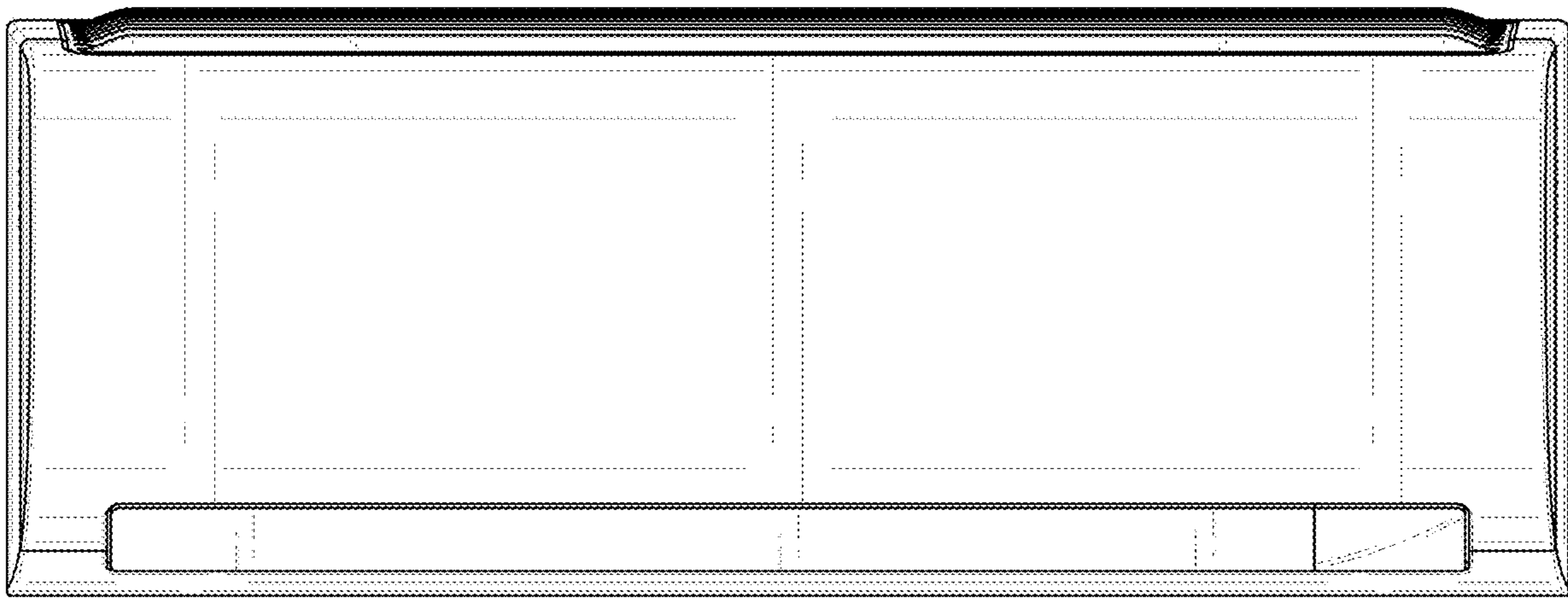


FIG. 3

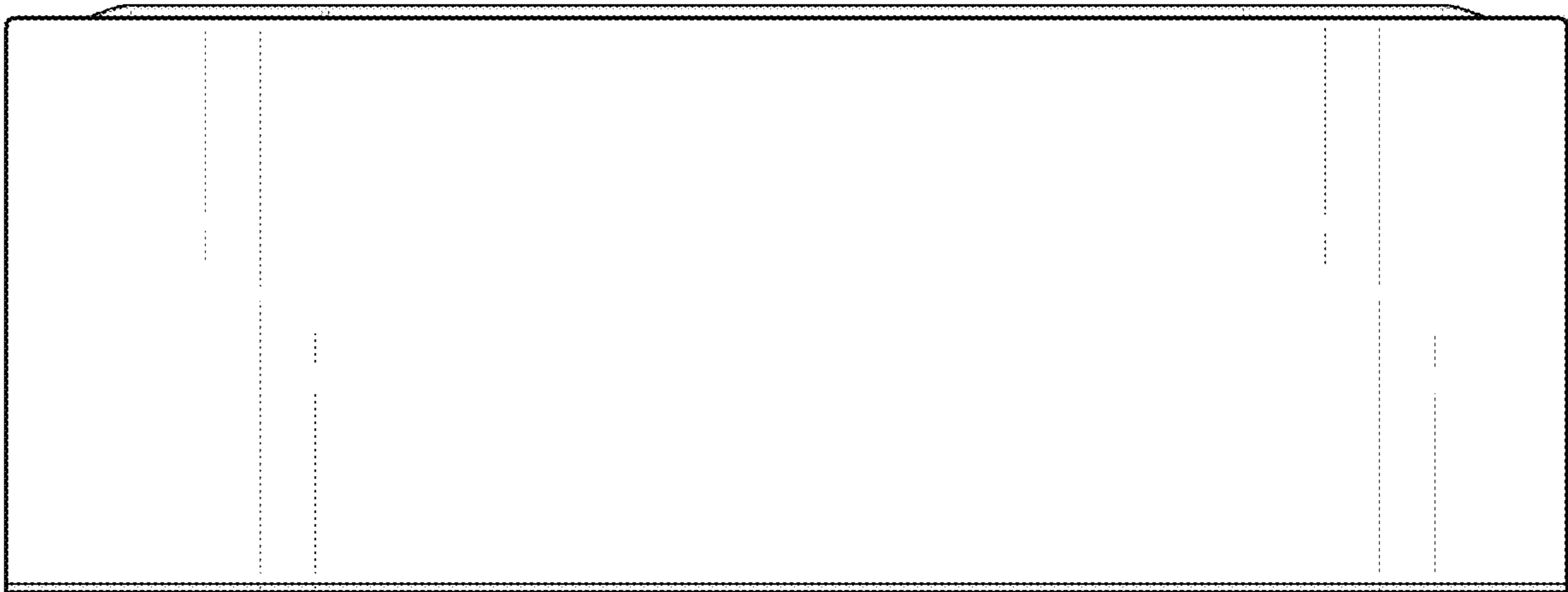


FIG. 4

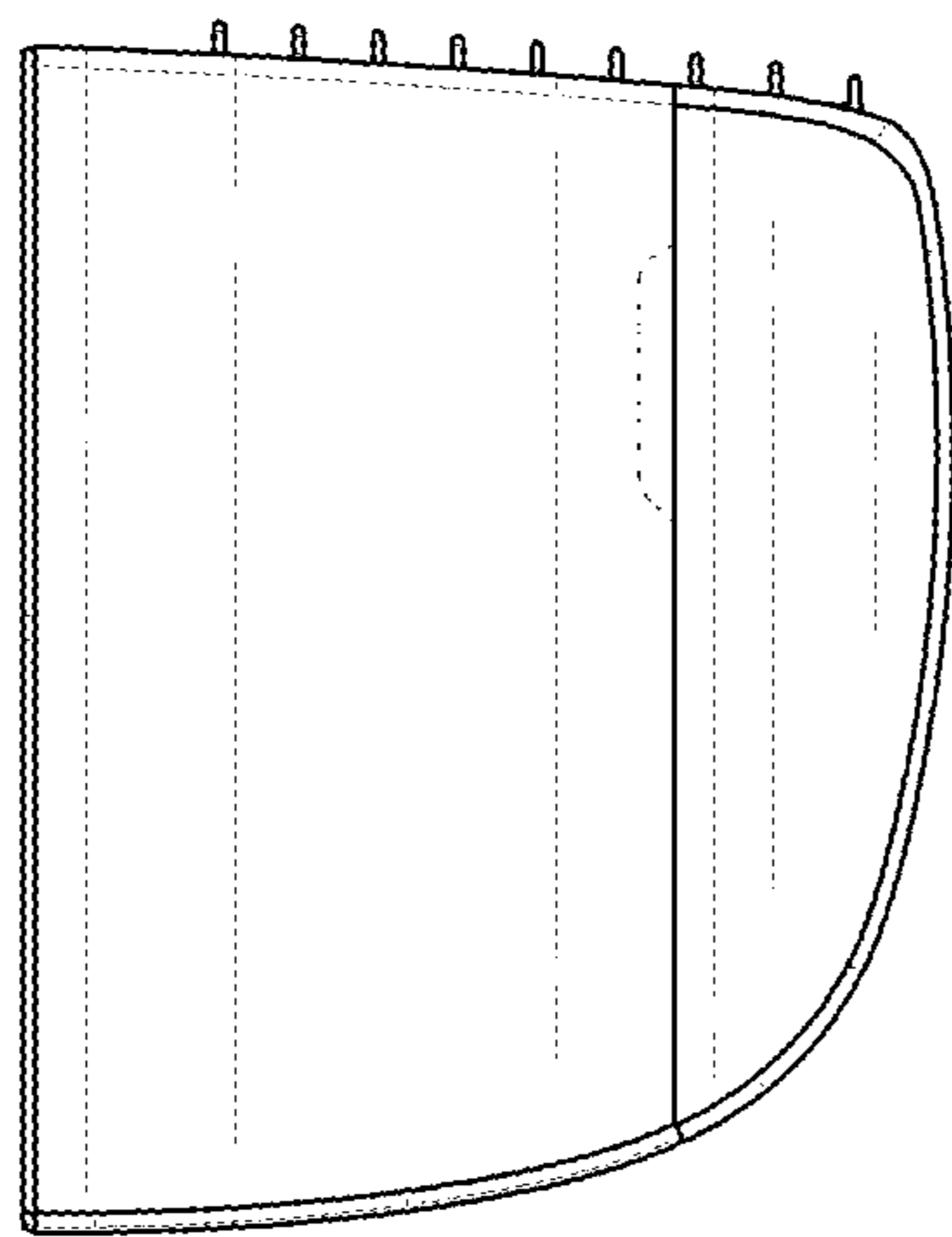




FIG. 5

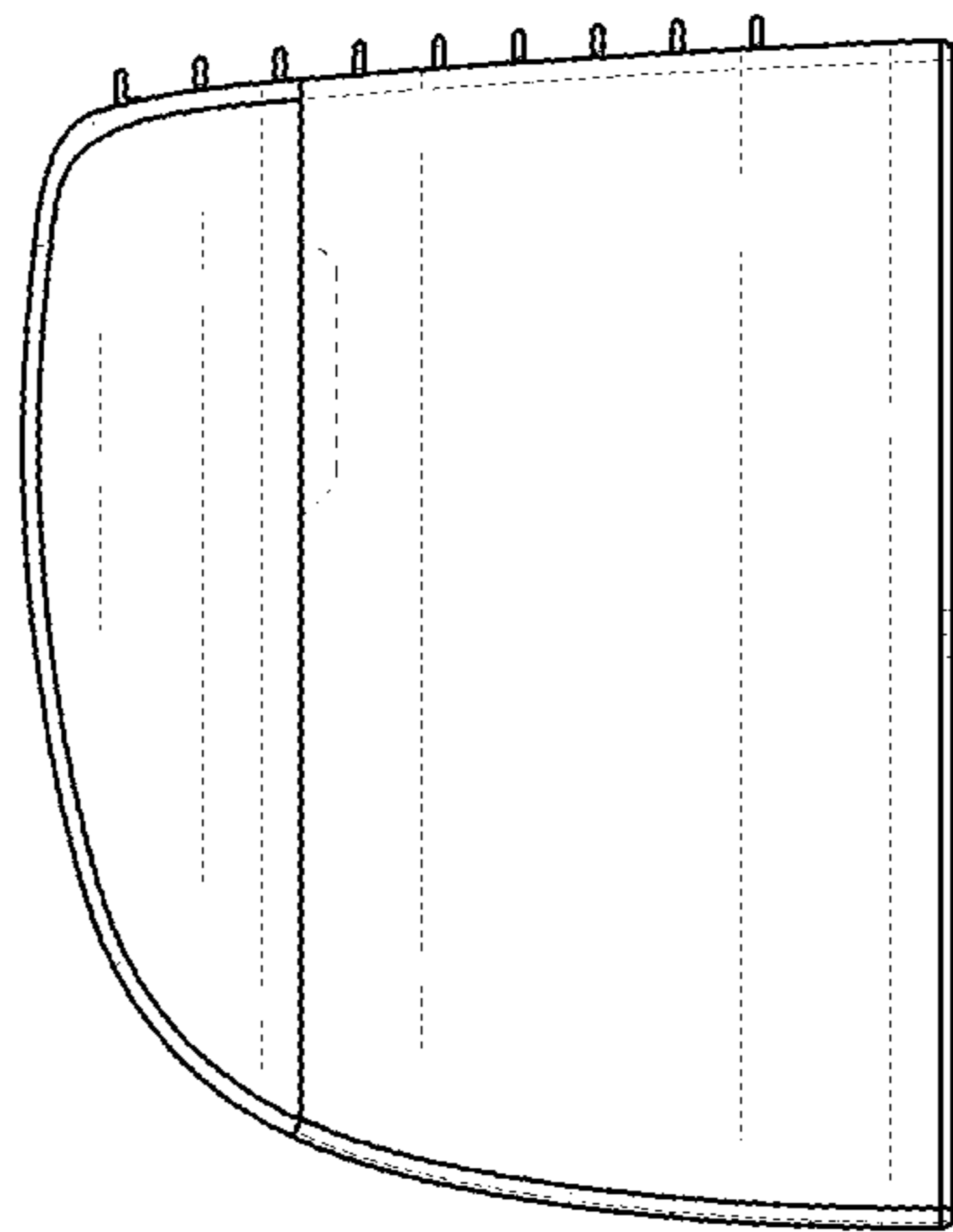


FIG. 6

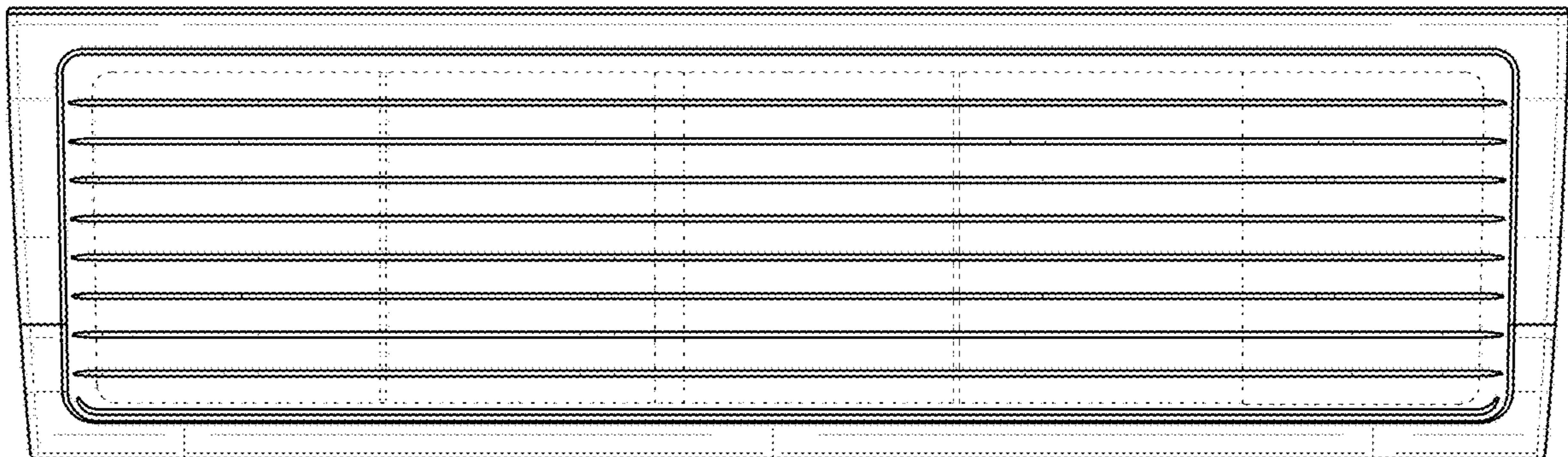




FIG. 7

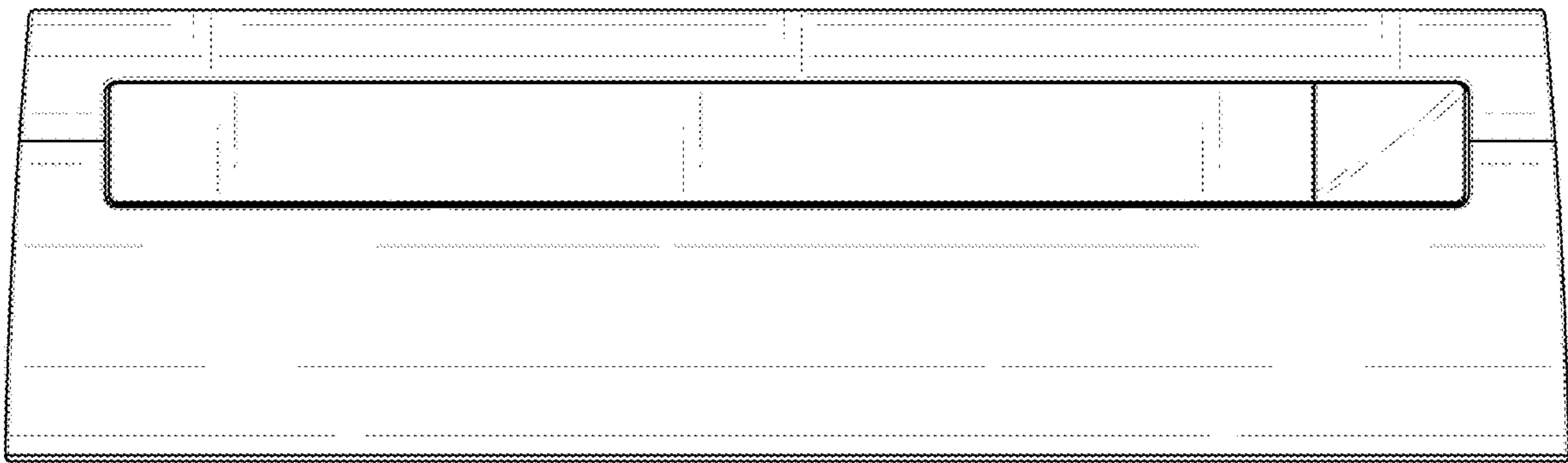


FIG. 8

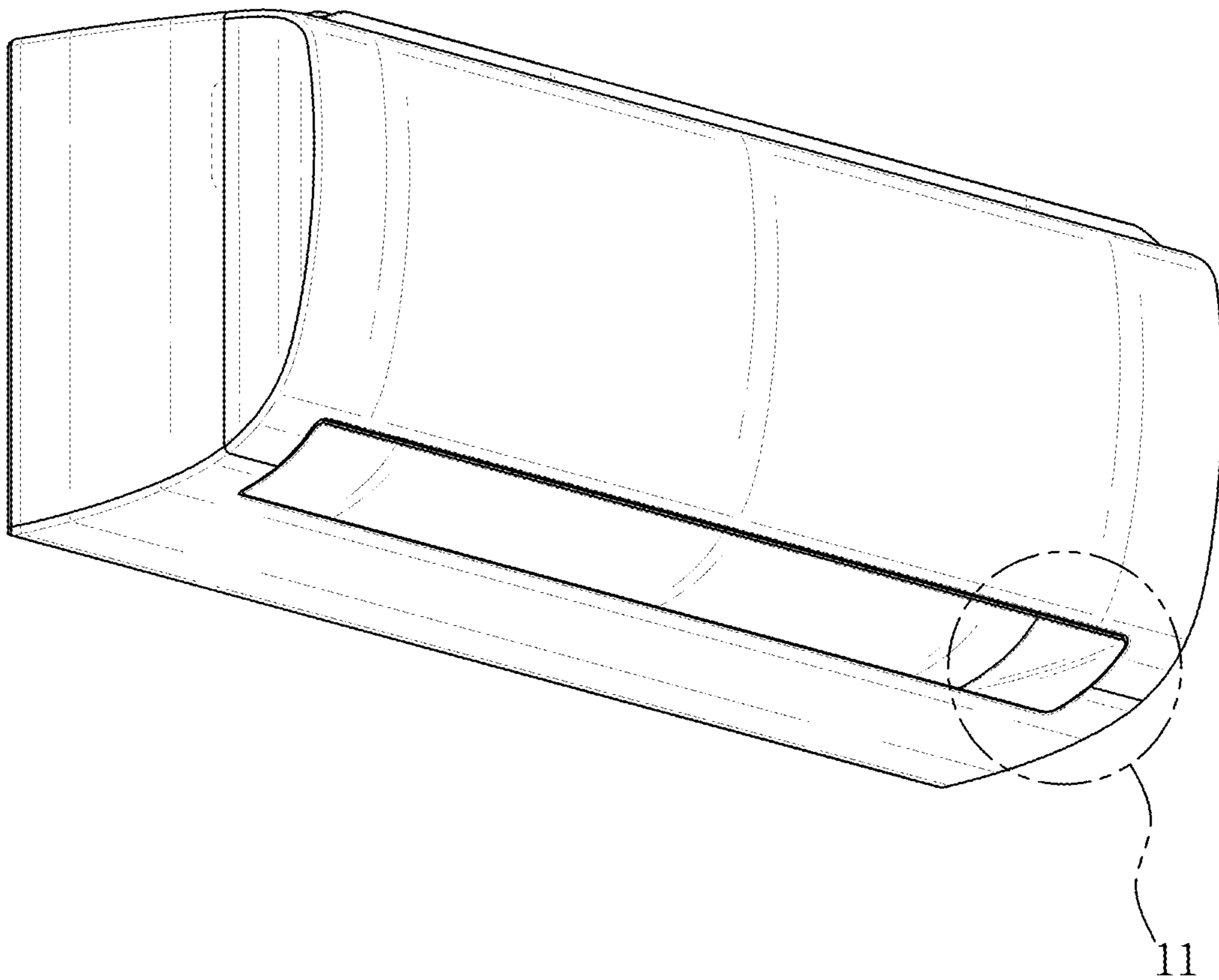


FIG. 9

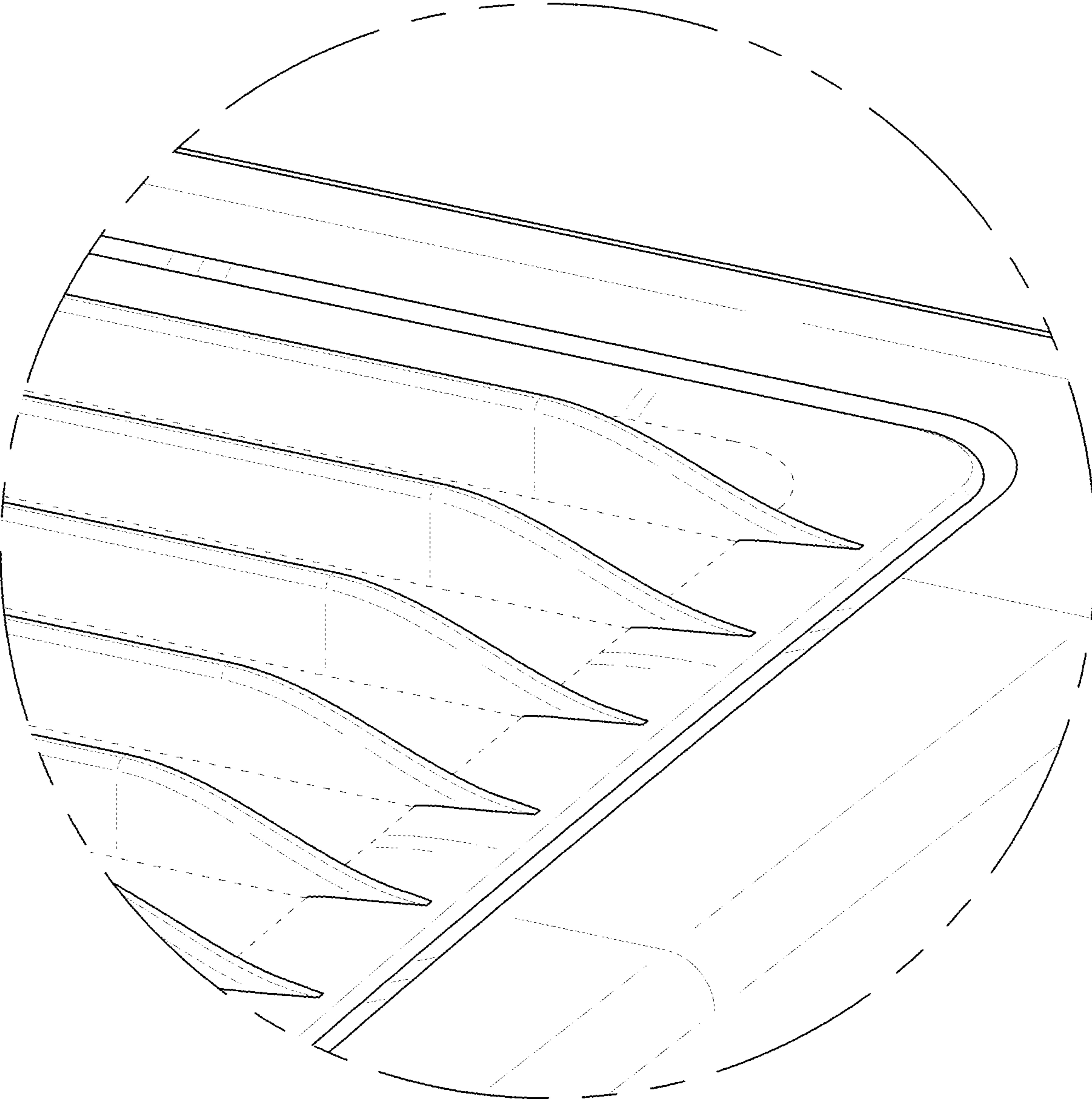


FIG. 10

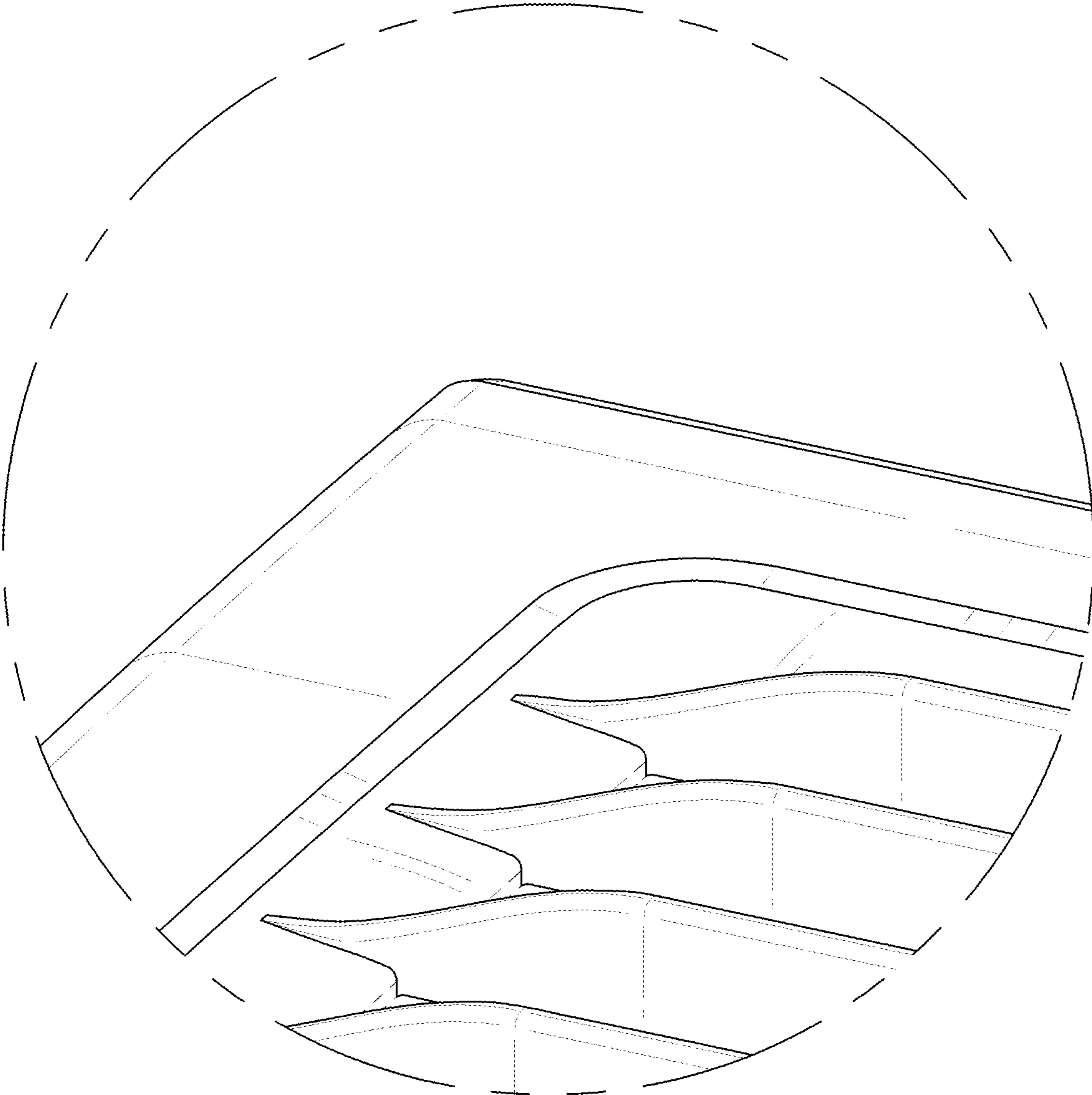


FIG. 11

