



US00D922551S

(12) **United States Design Patent** (10) **Patent No.:** **US D922,551 S**
Bucher et al. (45) **Date of Patent:** **** Jun. 15, 2021**

(54) **SHOWERBASE**
(71) Applicant: **AS AMERICA, INC.**, Piscataway, NJ (US)
(72) Inventors: **Christophe Bucher**, Hillsborough, NJ (US); **Calum Wagner**, Brooklyn, NY (US)
(73) Assignee: **AS America, Inc.**, Piscataway, NJ (US)
(**) Term: **15 Years**
(21) Appl. No.: **29/684,804**
(22) Filed: **Mar. 25, 2019**
(51) **LOC (13) Cl.** **23-02**
(52) **U.S. Cl.**
USPC **D23/304**
(58) **Field of Classification Search**
USPC D23/303-304, 261, 267
CPC E03F 5/0408
See application file for complete search history.

(56) **References Cited**
U.S. PATENT DOCUMENTS
4,557,004 A * 12/1985 Piana A47K 3/40
4/596
D582,527 S * 12/2008 Wang D23/261

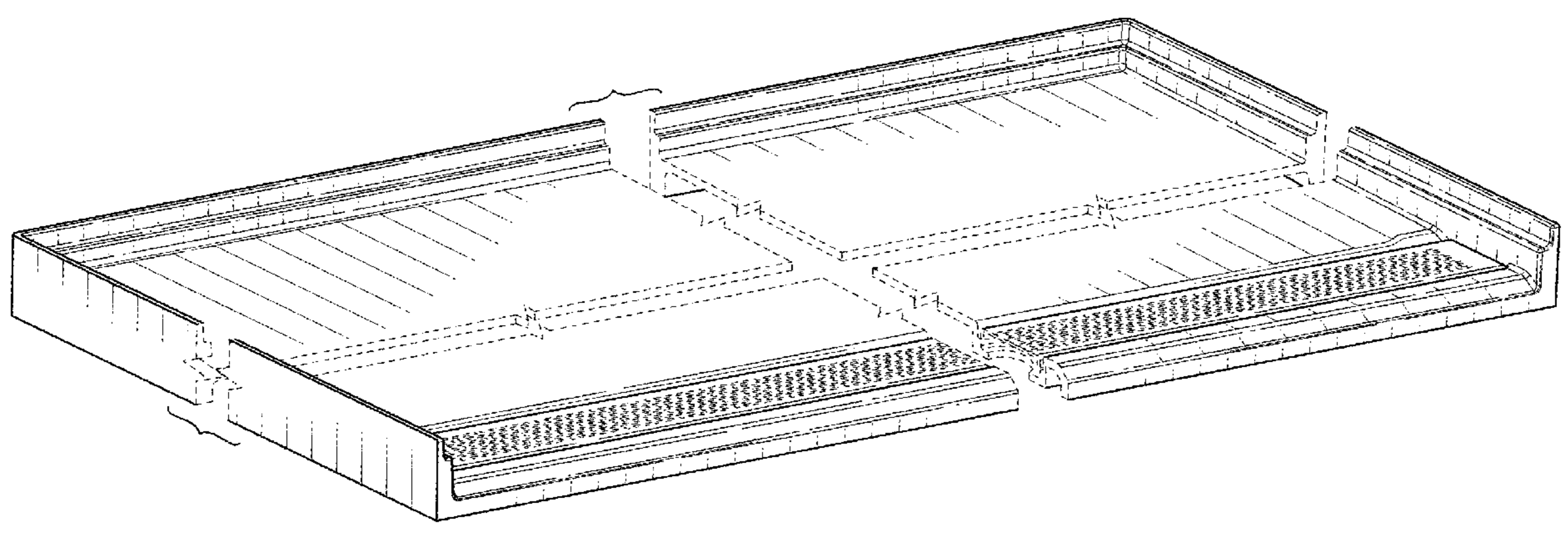
D694,863 S * 12/2013 Brodey D23/261
D714,927 S * 10/2014 Urano D23/388
D784,501 S * 4/2017 Pham D23/304
10,165,905 B2 * 1/2019 Sander A47K 3/40
2011/0197355 A1 * 8/2011 Lemire A47K 3/405
4/613
2018/0038091 A1 * 2/2018 Ismert E03F 5/0408
* cited by examiner

Primary Examiner — Robert A Delehanty
(74) *Attorney, Agent, or Firm* — Tyler A. Stevenson;
Anna-Lisa L. Gallo

(57) **CLAIM**
We claim the ornamental design for a showerbase, as shown and described.

DESCRIPTION
FIG. 1 is a top, front, left side perspective view of a showerbase showing our new design;
FIG. 2 is a front view thereof;
FIG. 3 is a rear view thereof;
FIG. 4 is a left side view thereof;
FIG. 5 is a right side view thereof;
FIG. 6 is a top view thereof; and,
FIG. 7 is a bottom view thereof.
Broken lines of the disclosure represent portions of the showerbase that form no part of the claimed design. The appearance of any portion of the article between the broken away symbols forms no part of the claimed design.

1 Claim, 4 Drawing Sheets



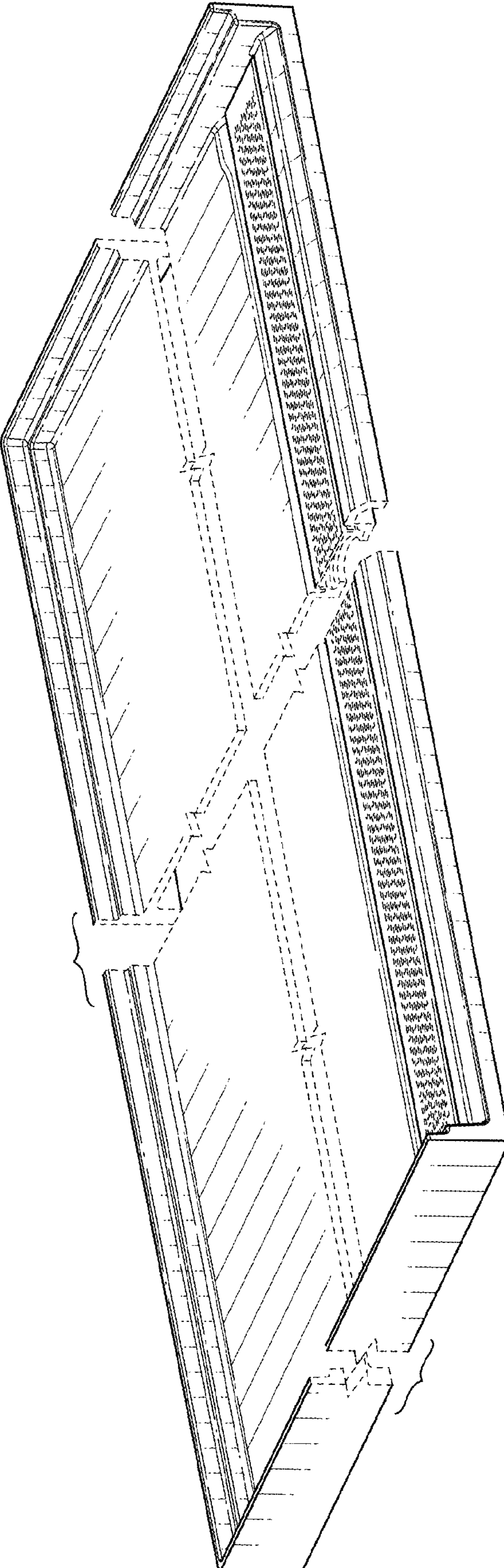


FIG. 1

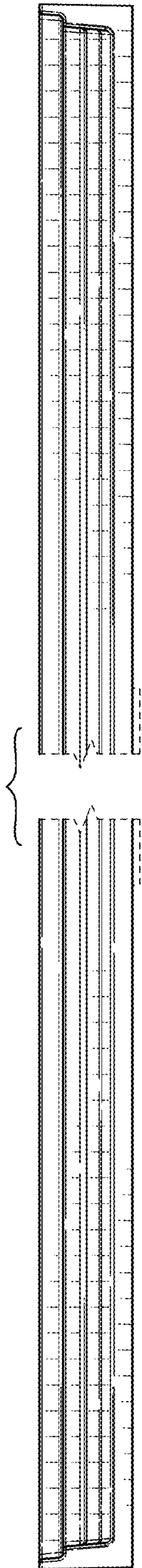


FIG. 2

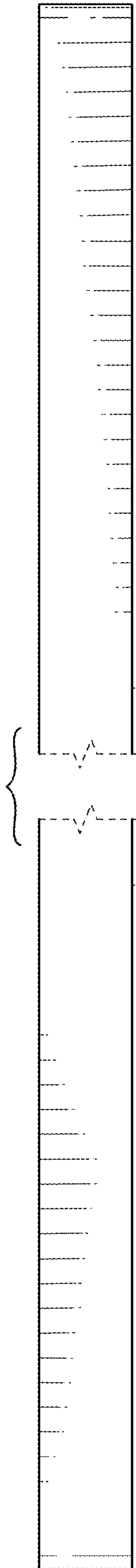


FIG. 3

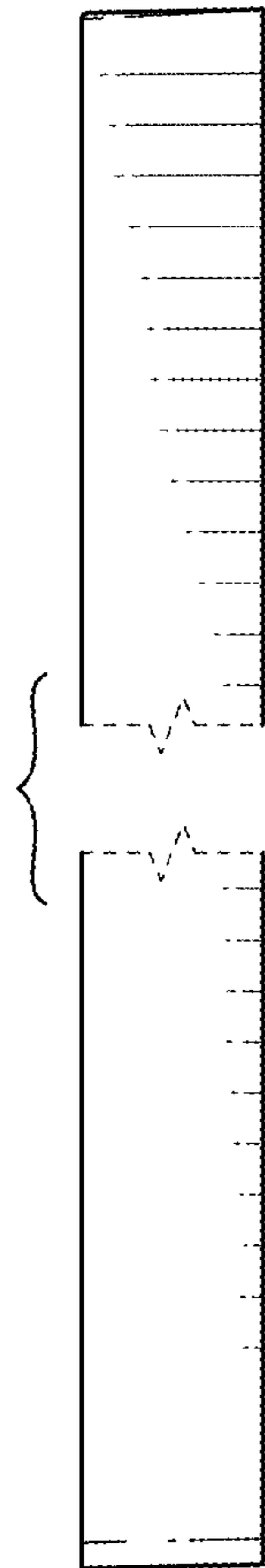


FIG. 4

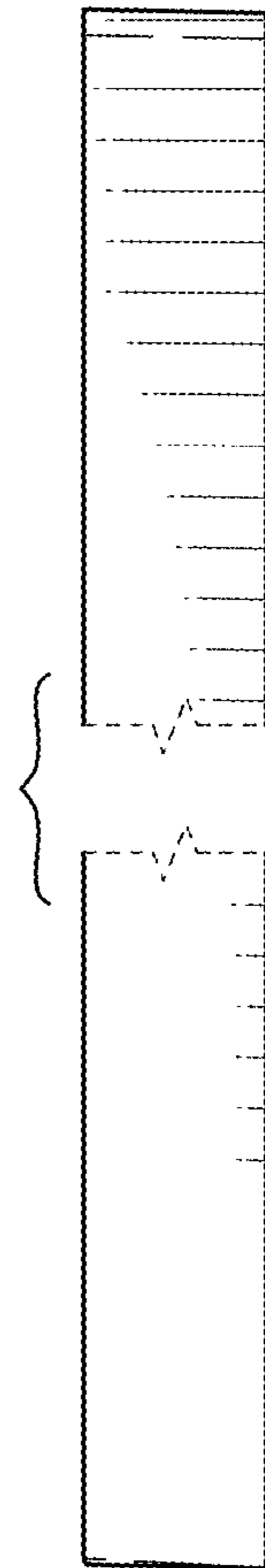


FIG. 5

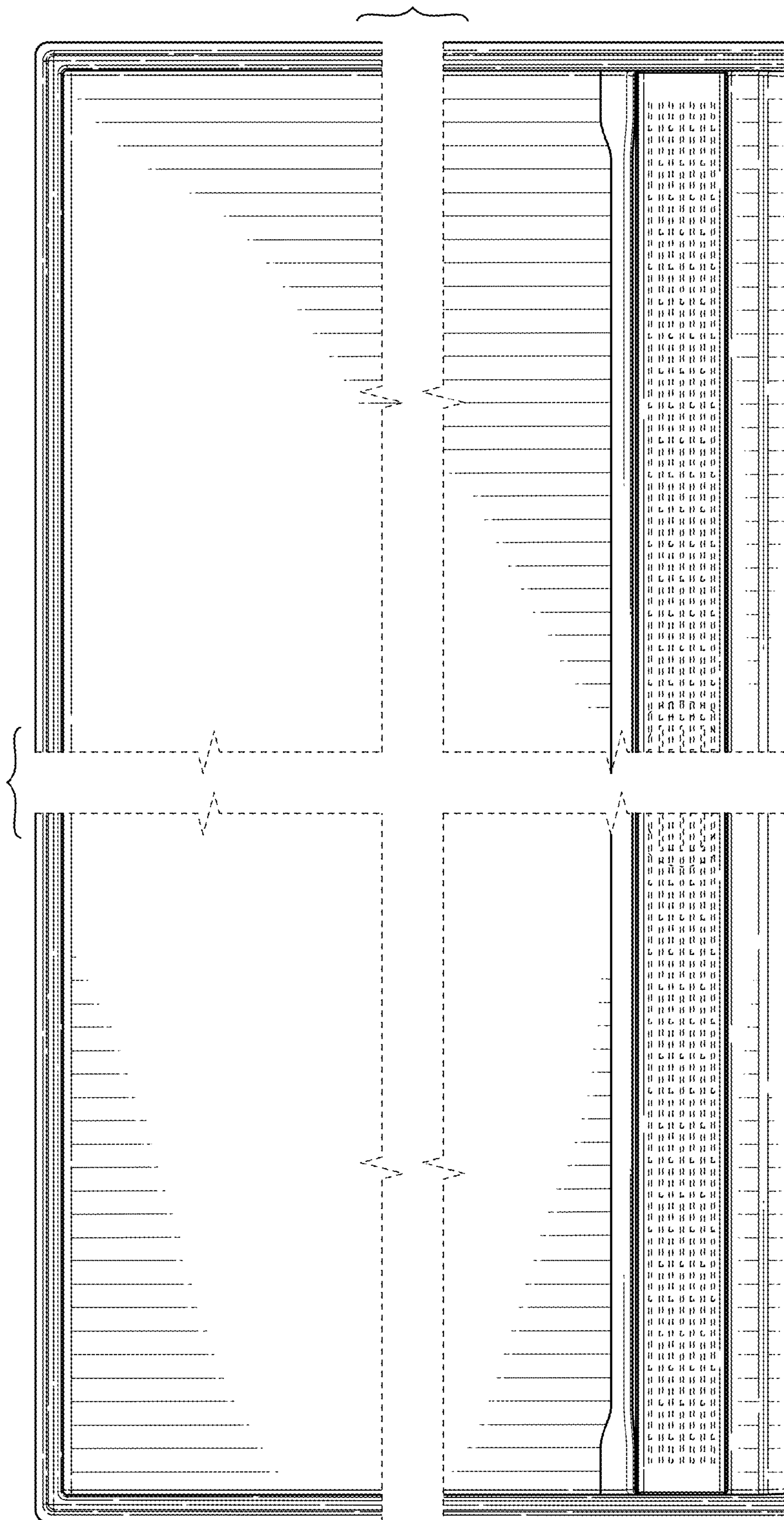


FIG. 6

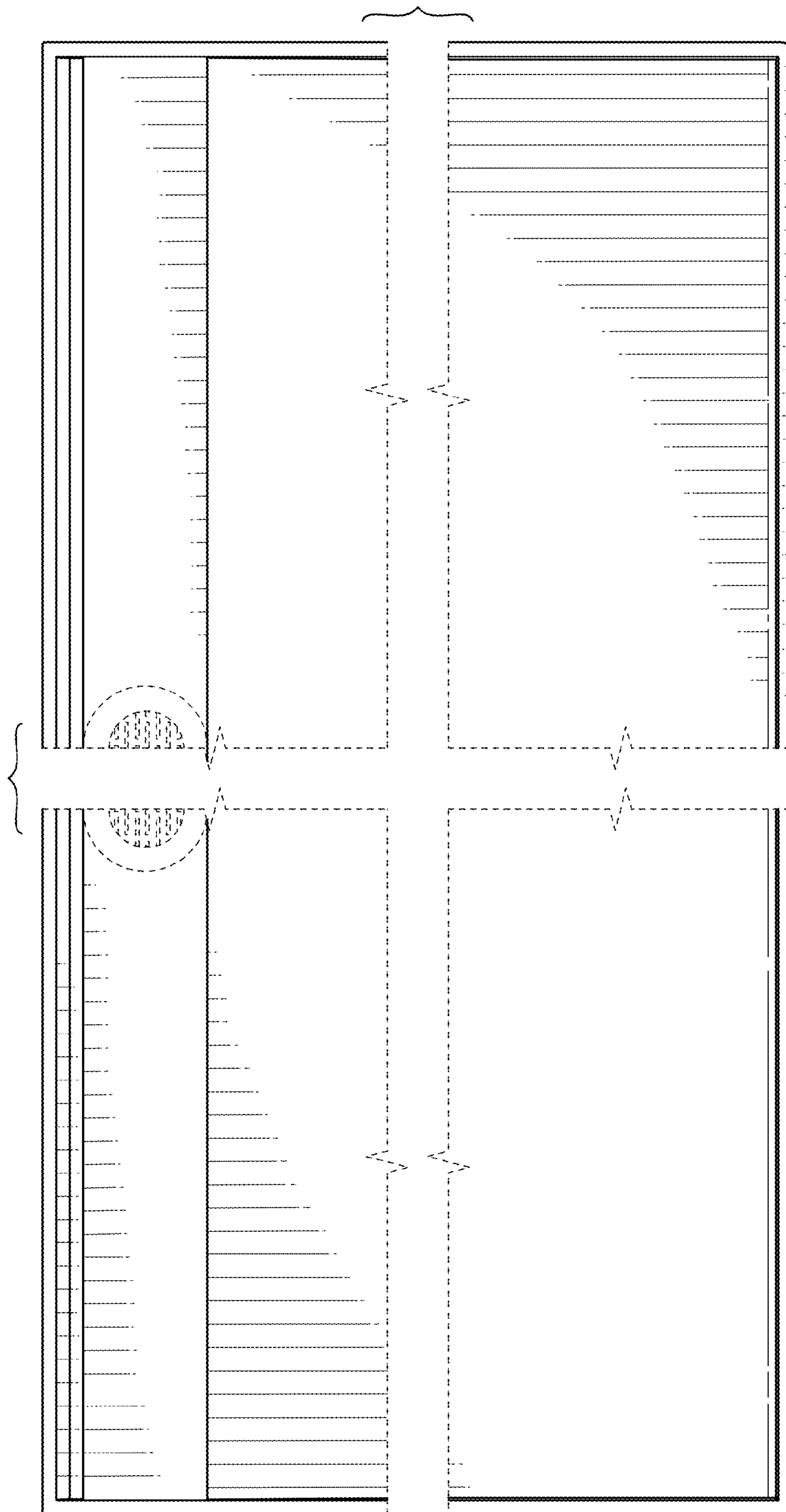


FIG. 7