



US00D922550S

(12) **United States Design Patent**
Wagner

(10) **Patent No.:** **US D922,550 S**
(45) **Date of Patent:** **** Jun. 15, 2021**

- (54) **URINAL**
- (71) Applicant: **AS America, Inc.**, Piscataway, NJ (US)
- (72) Inventor: **Calum Wagner**, Brooklyn, NY (US)
- (73) Assignee: **AS America, Inc.**, Piscataway, NJ (US)
- (**) Term: **15 Years**
- (21) Appl. No.: **29/751,563**
- (22) Filed: **Sep. 22, 2020**

D377,207 S *	1/1997	Tani	D23/302
D420,730 S *	2/2000	Thomas	D23/302
D475,115 S *	5/2003	Ferrer	D23/302
2005/0144711 A1 *	7/2005	Valadez	E03D 13/005 4/309

* cited by examiner

Primary Examiner — Robert A Delehanty
(74) *Attorney, Agent, or Firm* — Tyler A. Stevenson;
Anna-lisa L. Gallo

Related U.S. Application Data

- (63) Continuation of application No. 29/651,450, filed on Aug. 16, 2018, now Pat. No. Des. 904,585.
- (51) **LOC (13) Cl.** **23-02**
- (52) **U.S. Cl.**
USPC **D23/302**
- (58) **Field of Classification Search**
USPC D23/302, 309
See application file for complete search history.

References Cited

U.S. PATENT DOCUMENTS

D208,291 S *	8/1967	McIntosh	D23/302
D377,206 S *	1/1997	Tani	D23/302

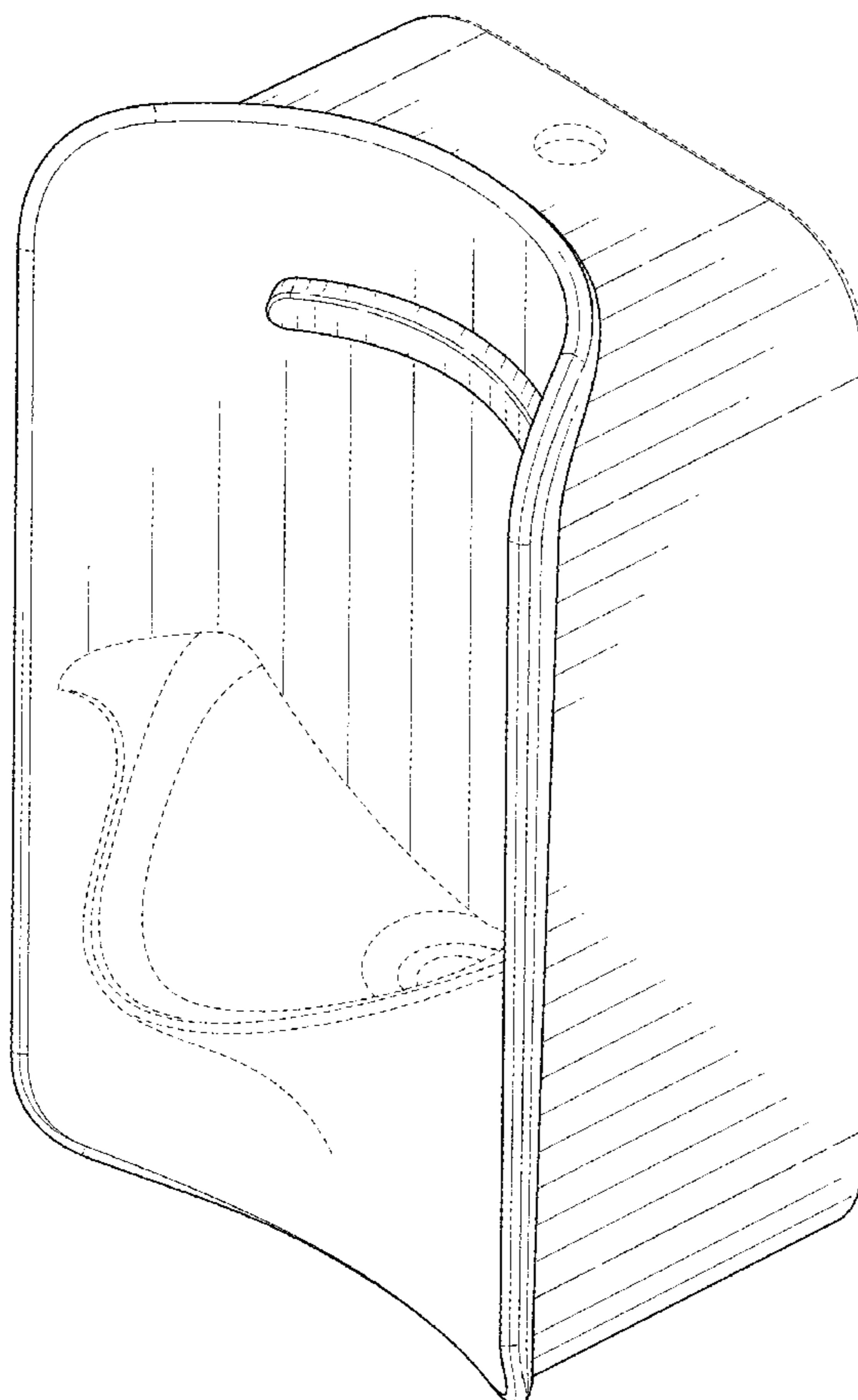
(57) **CLAIM**

I claim the ornamental design for a urinal, as shown and described.

DESCRIPTION

FIG. 1 is a top, right, perspective view of a urinal showing my new design;
 FIG. 2 is a front view thereof;
 FIG. 3 is a rear view thereof;
 FIG. 4 is a left side view thereof;
 FIG. 5 is a right side view thereof;
 FIG. 6 is a top view thereof; and,
 FIG. 7 is a bottom view thereof.
 Broken lines are directed to environment and are for illustrative purposes only; broken lines form no part of the claimed design.

1 Claim, 6 Drawing Sheets



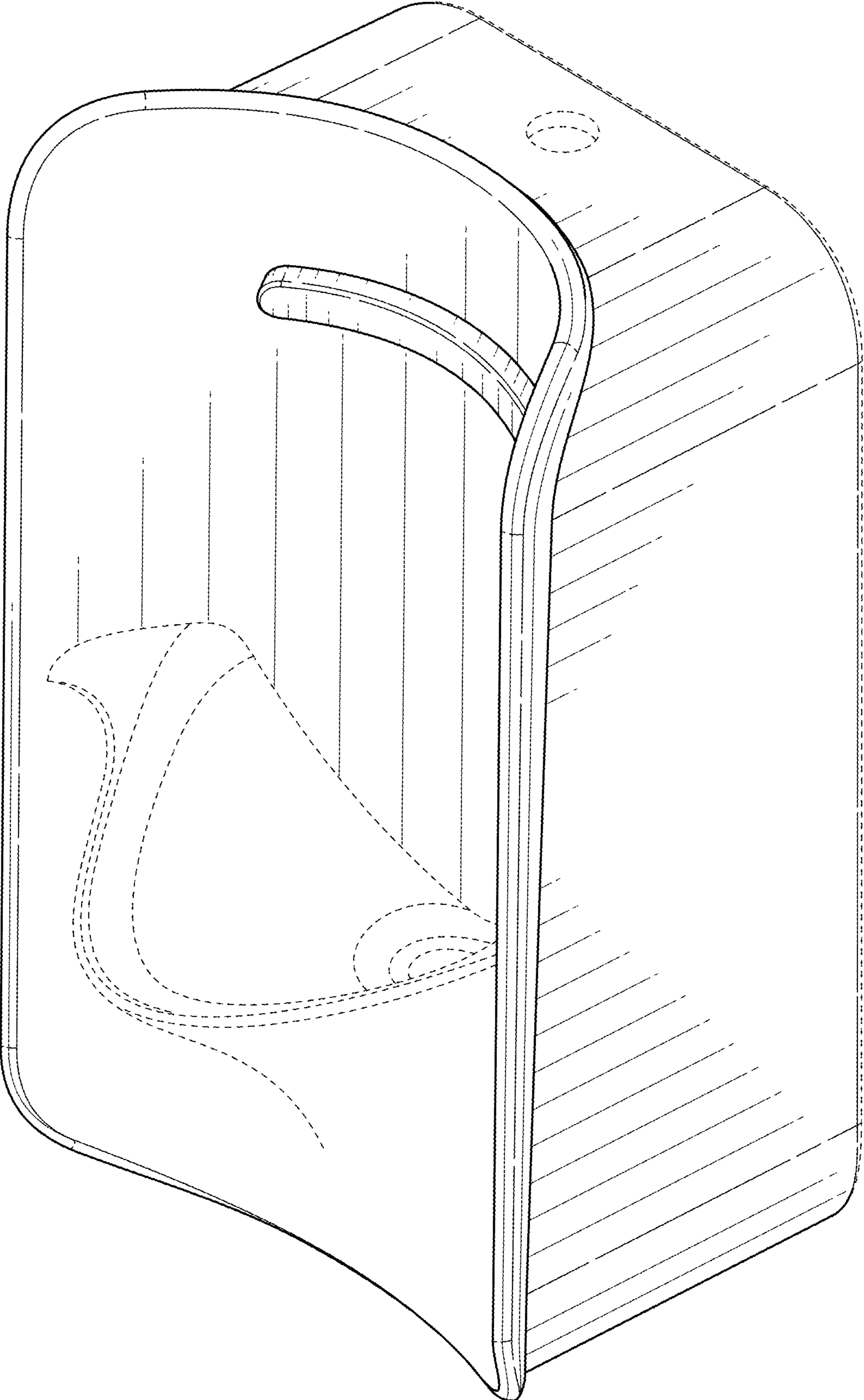


FIG. 1

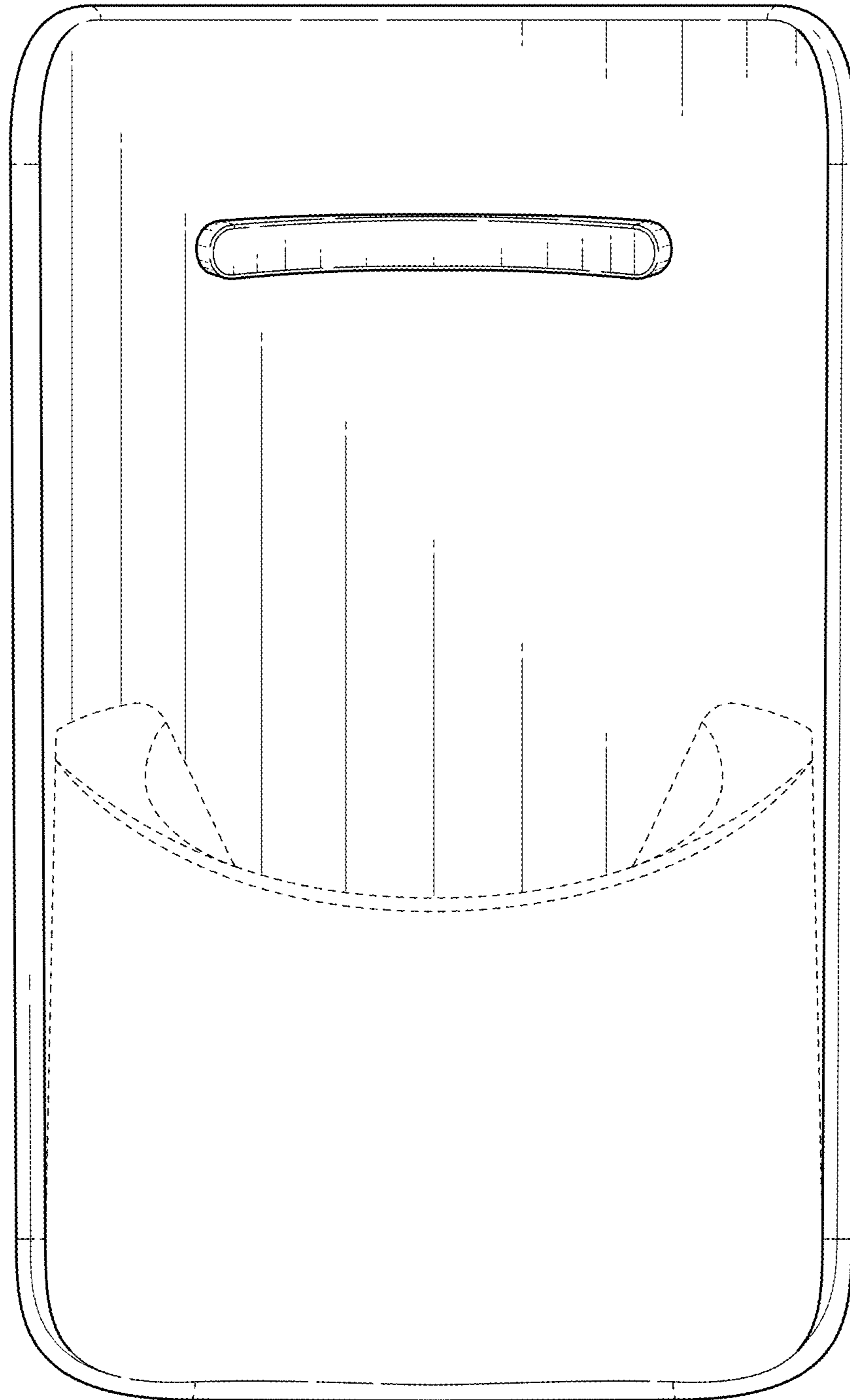


FIG. 2

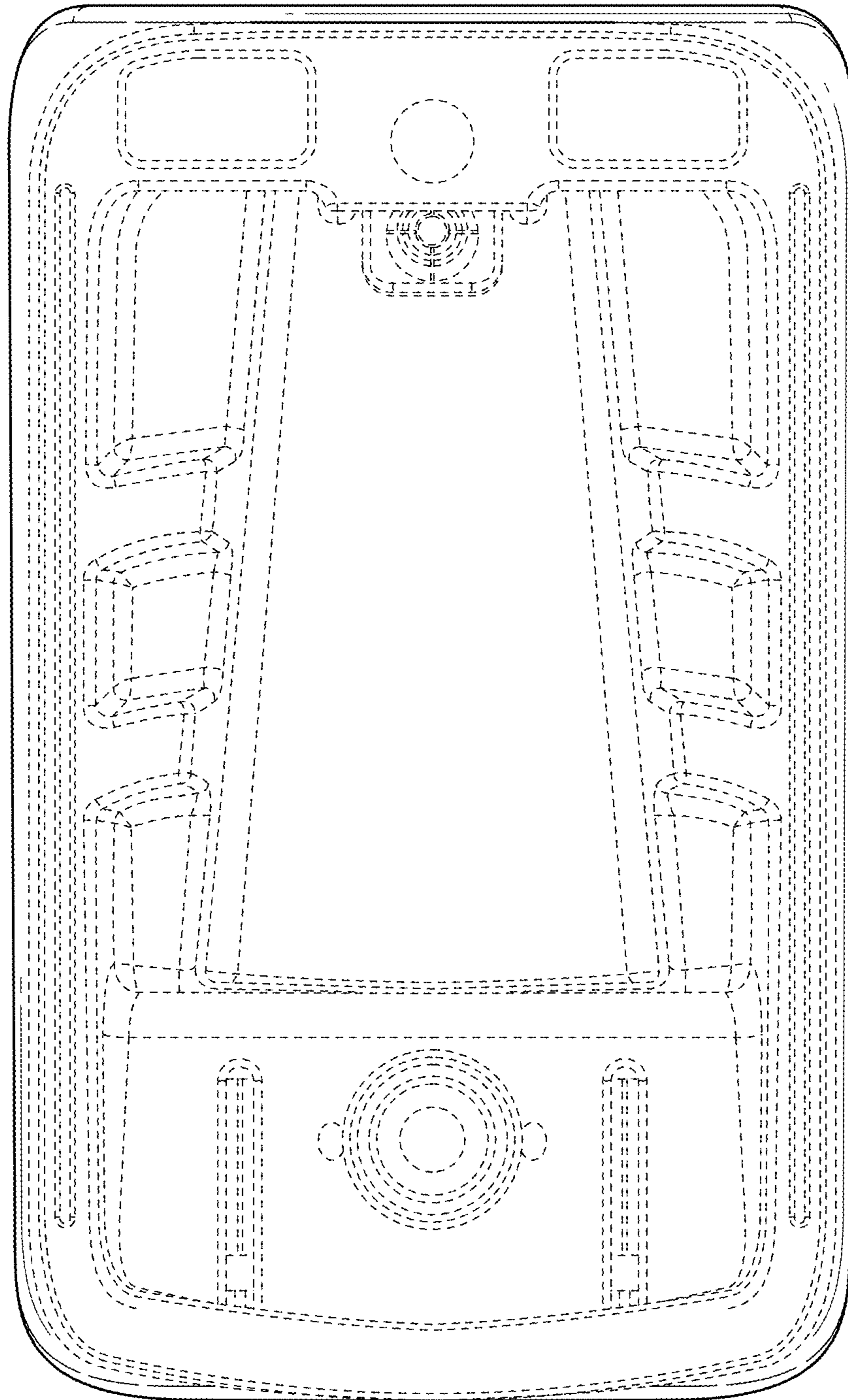


FIG. 3

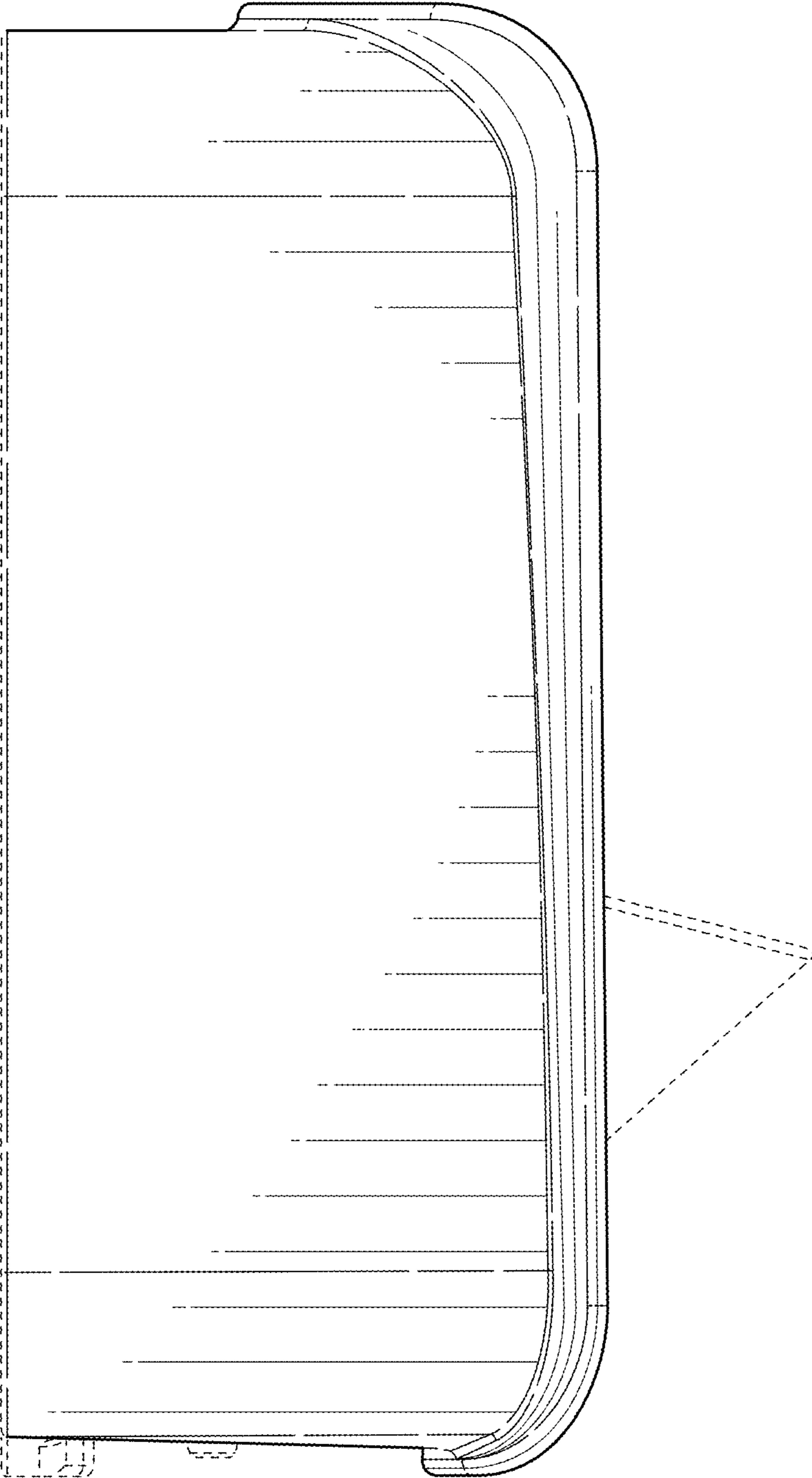


FIG. 4

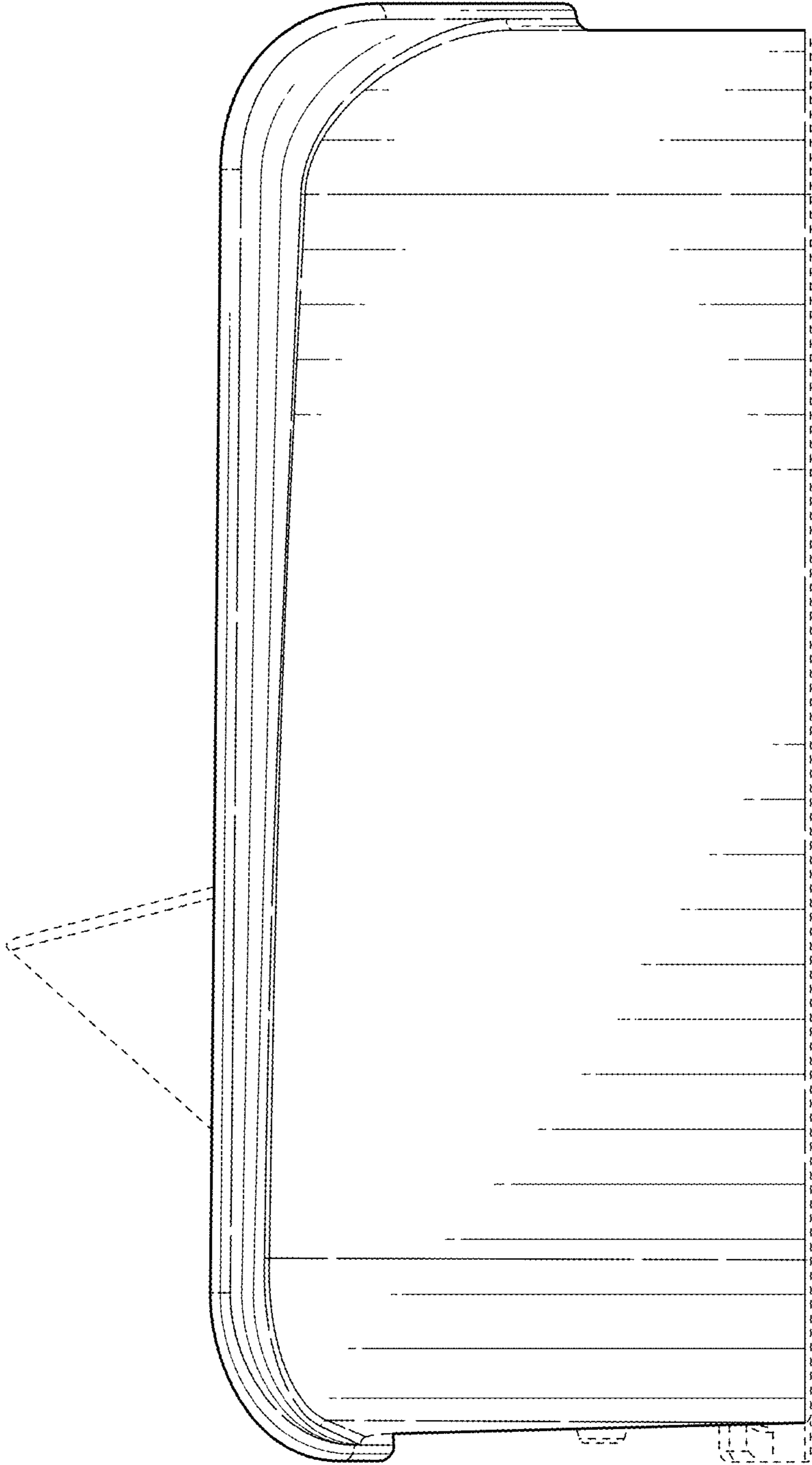


FIG. 5

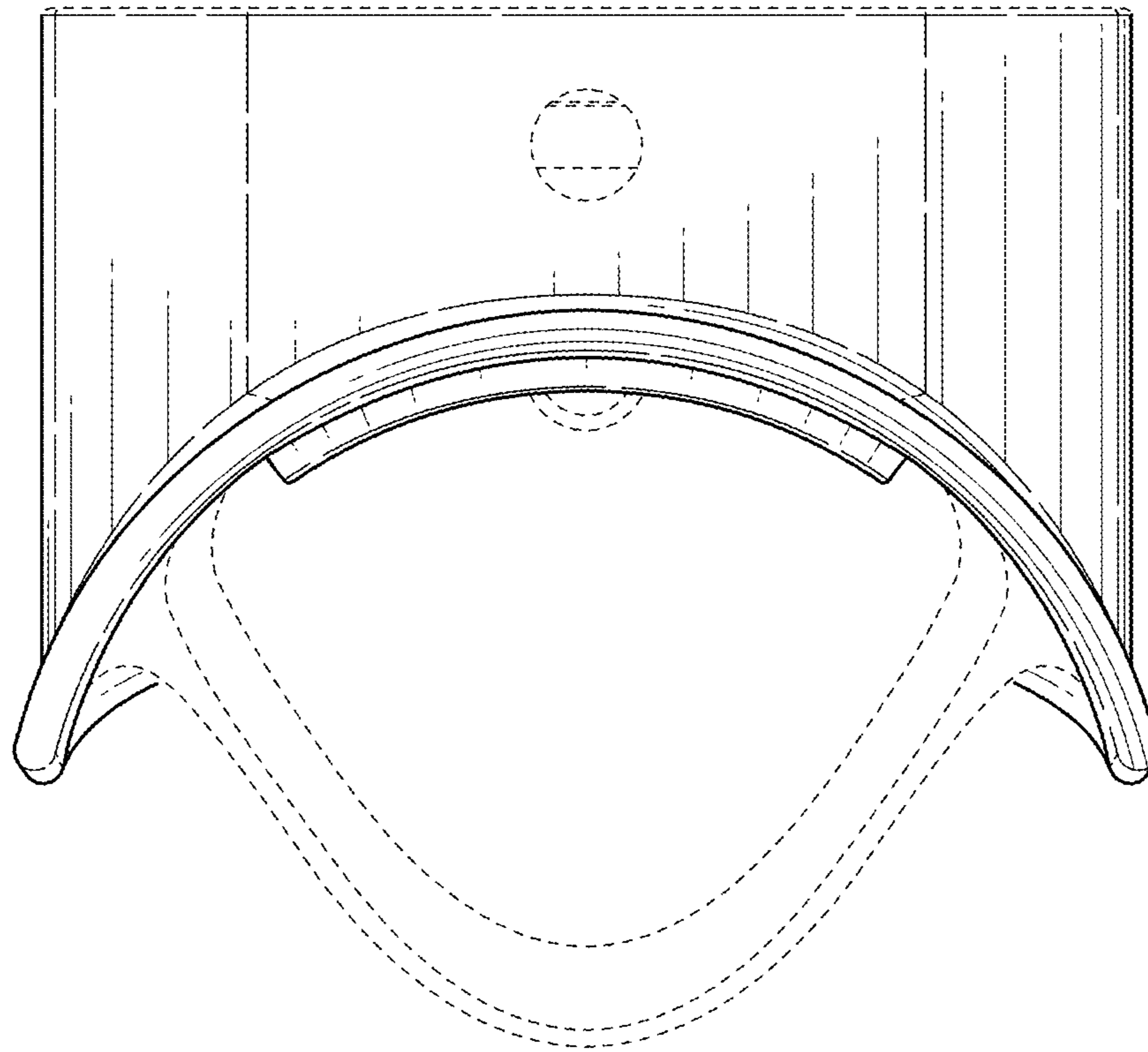


FIG. 6

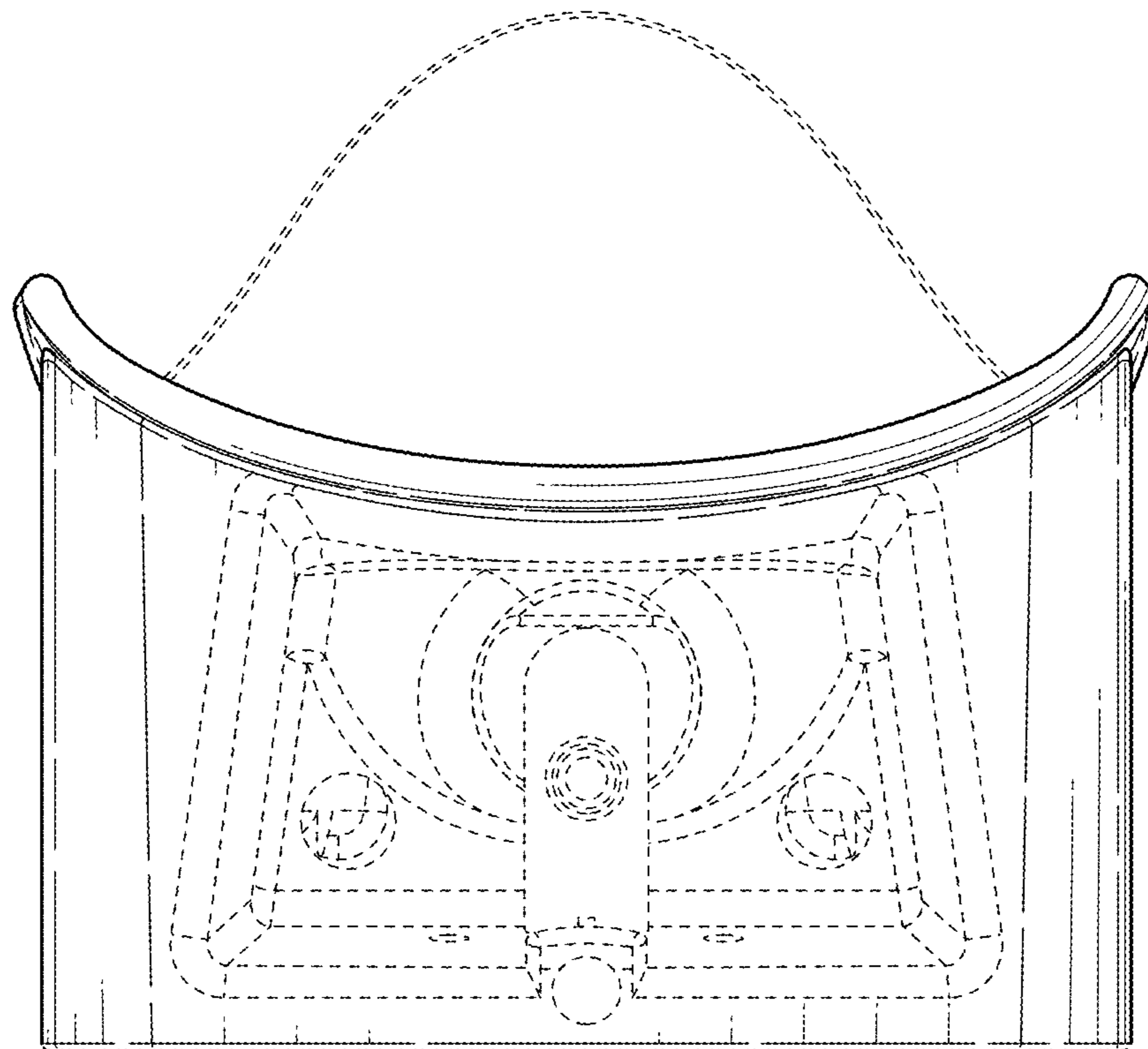


FIG. 7