



US00D922544S

(12) **United States Design Patent**  
**O'Neil**

(10) **Patent No.:** **US D922,544 S**

(45) **Date of Patent:** **\*\* Jun. 15, 2021**

(54) **FLUID LINE CONNECTION SHELL**

(71) Applicant: **Terrence Jay O'Neil**, Johnson City, TN (US)

(72) Inventor: **Terrence Jay O'Neil**, Johnson City, TN (US)

(73) Assignee: **HD Clean, LLC**, Johnson City, TN (US)

(\*\*) Term: **15 Years**

(21) Appl. No.: **29/714,816**

(22) Filed: **Nov. 26, 2019**

(51) **LOC (13) Cl.** ..... **23-01**

(52) **U.S. Cl.**  
USPC ..... **D23/265**; D24/217; D24/129

(58) **Field of Classification Search**  
USPC ..... 137/551-552; 251/331; D23/213, 233, D23/235, 259-262, 264-266; 285/91, 285/345, 377, 388, 390, 16, 45, 148.22, 285/148.26, 244, 384, 395, 420; D24/112, 127, 129, 108, 110.6, 113, 130; D13/133, 154-156; 138/109; 604/535  
CPC ..... F16L 11/00  
See application file for complete search history.

(56) **References Cited**

**U.S. PATENT DOCUMENTS**

3,059,209 A \* 10/1962 Bird ..... H01R 13/6392  
439/369  
4,340,052 A \* 7/1982 Dennehey ..... A61M 39/165  
604/317

4,405,312 A \* 9/1983 Gross ..... A61L 2/18  
604/29  
D464,325 S \* 10/2002 Peters ..... D13/156  
D569,349 S \* 5/2008 Preston ..... D13/156  
D599,478 S \* 9/2009 Bizup ..... D24/128  
D624,645 S \* 9/2010 Shaffer ..... D24/129  
D634,840 S \* 3/2011 Lombardi, III ..... D24/129  
D663,022 S \* 7/2012 Lombardi, III ..... D24/129  
D764,661 S \* 8/2016 Babbs ..... D24/129  
D834,186 S \* 11/2018 Lombardi, III ..... D24/129  
D844,780 S \* 4/2019 White ..... D24/129  
2008/0277924 A1 \* 11/2008 Jensen ..... F16L 37/0987  
285/81

\* cited by examiner

*Primary Examiner* — Amy C Wierenga

(74) *Attorney, Agent, or Firm* — John Wood; Wood Patent Law

(57) **CLAIM**

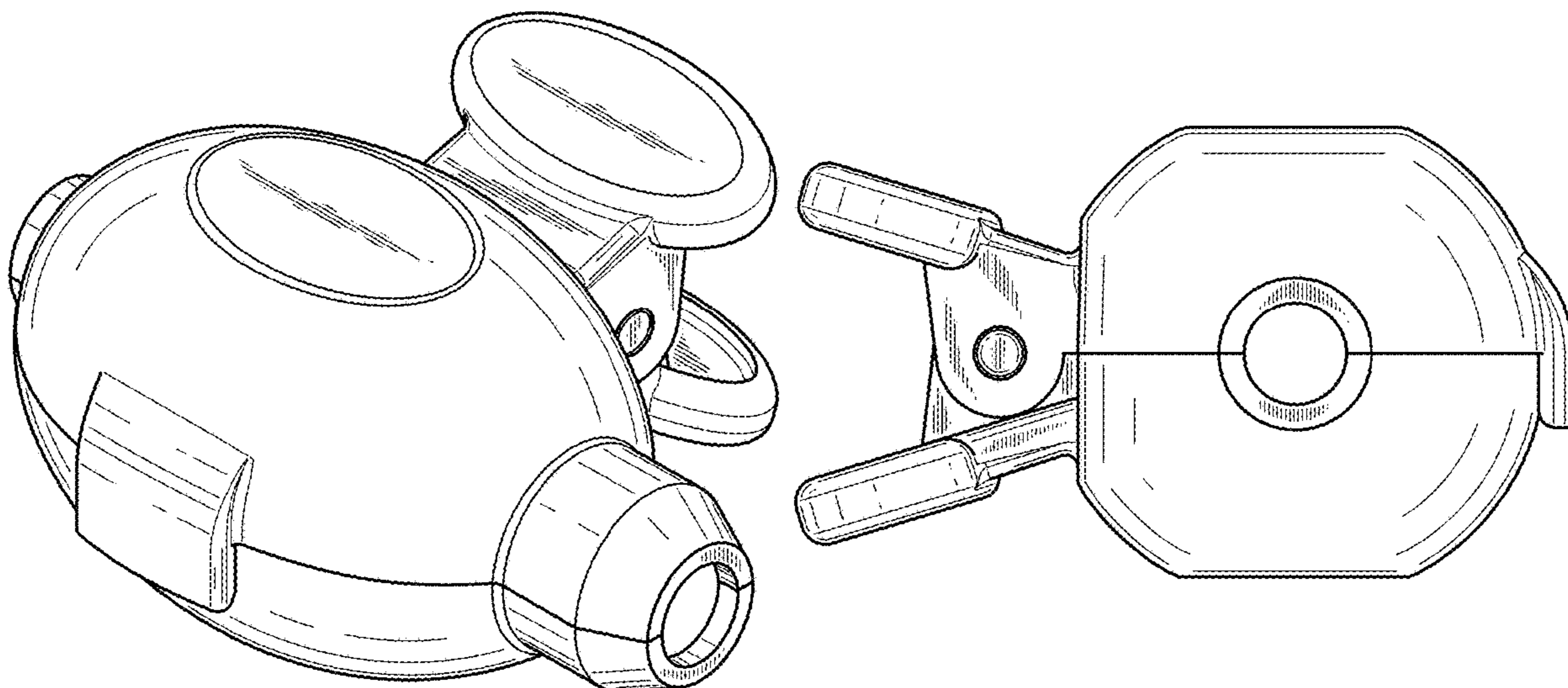
The ornamental design for a fluid line connection shell, as shown and described.

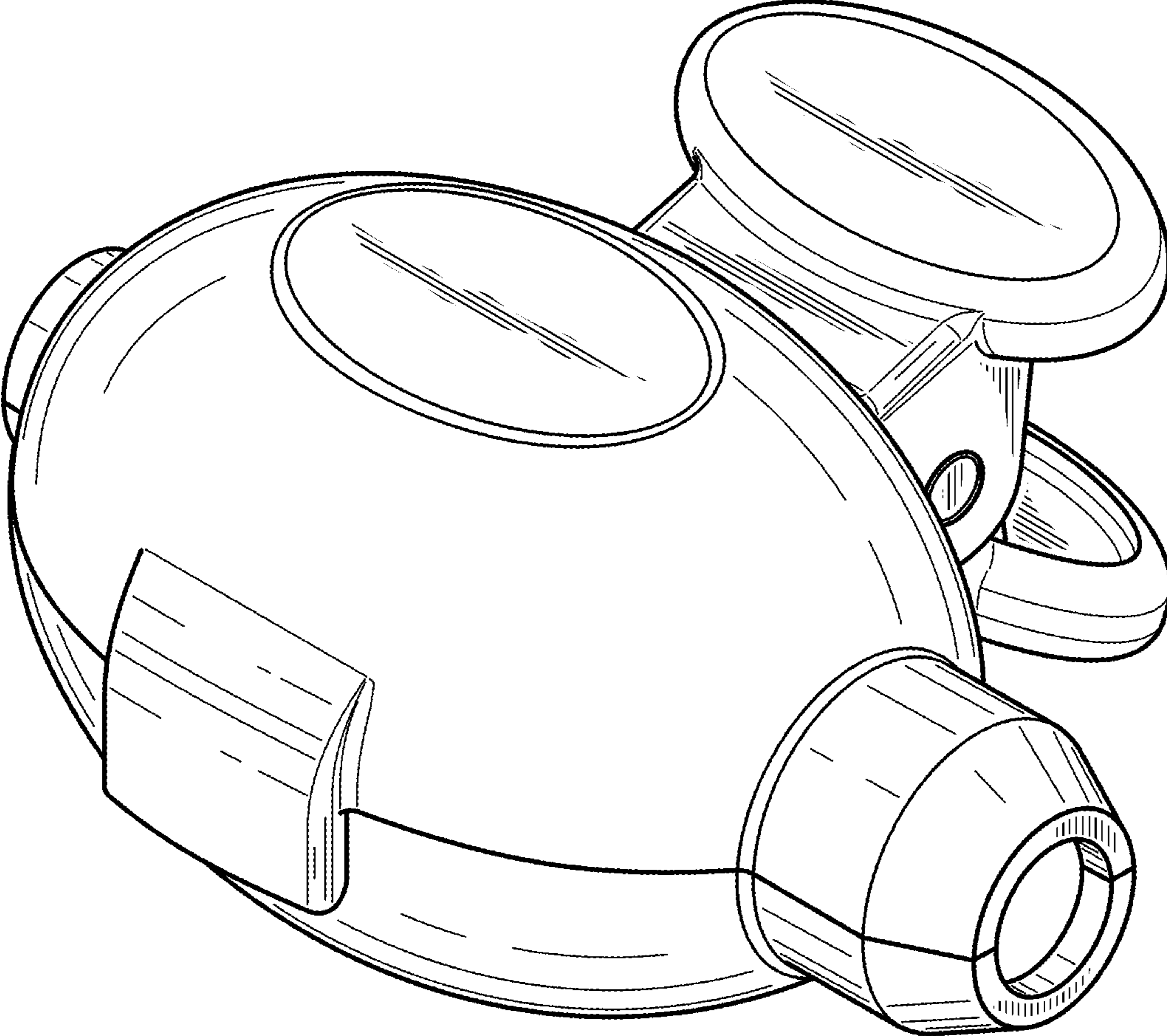
**DESCRIPTION**

FIG. 1 is a top front perspective view of a fluid line connection shell showing our new design; FIG. 2 is a left side view thereof; FIG. 3 is a right side view thereof; FIG. 4 is a front view thereof; FIG. 5 is a rear view thereof; FIG. 6 is a top view thereof; and, FIG. 7 is a bottom view thereof.

The broken lines shown represent unclaimed subject matter and form no part of the claimed design.

**1 Claim, 5 Drawing Sheets**





**FIG. 1**

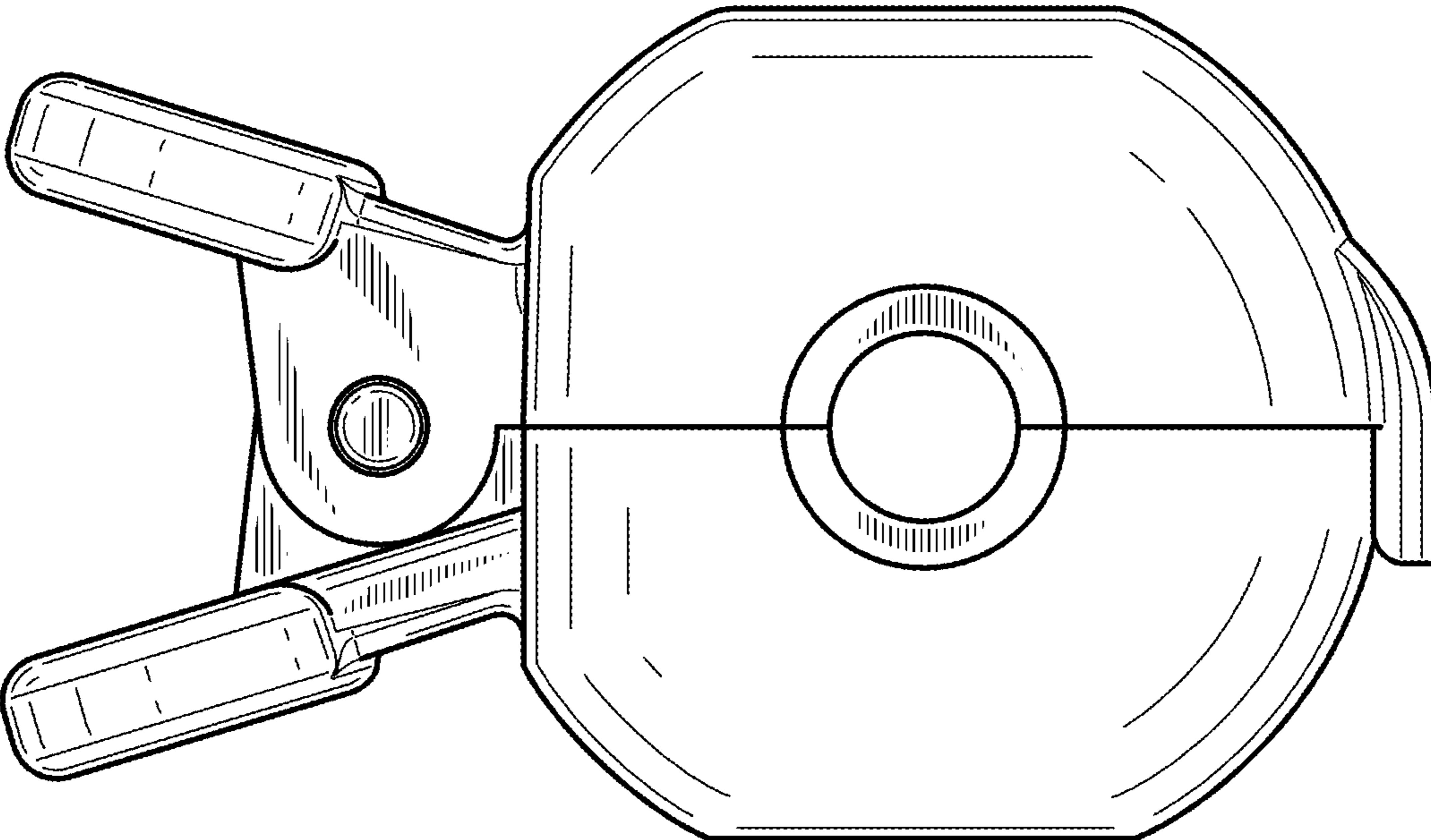


FIG. 2

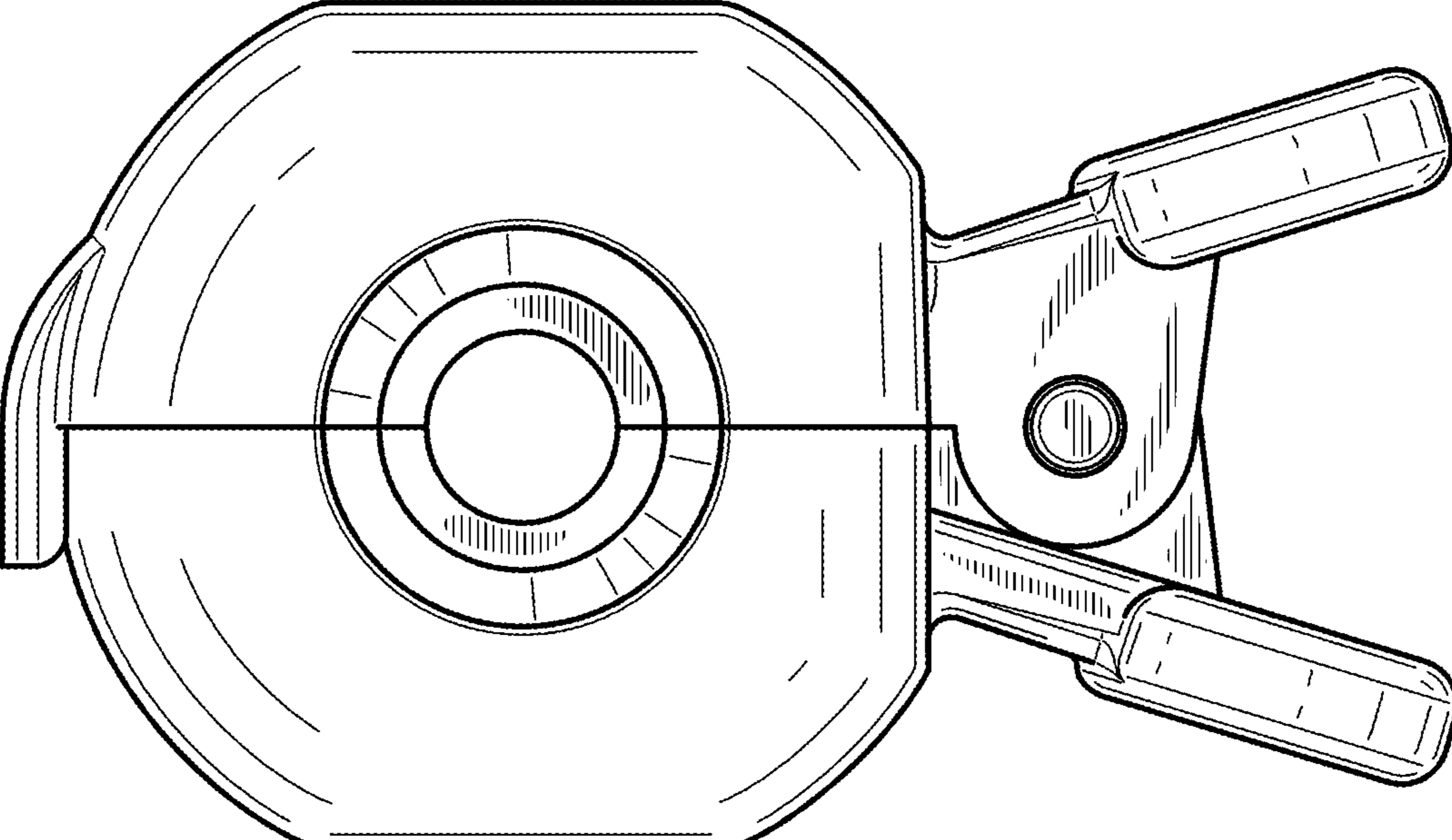


FIG. 3



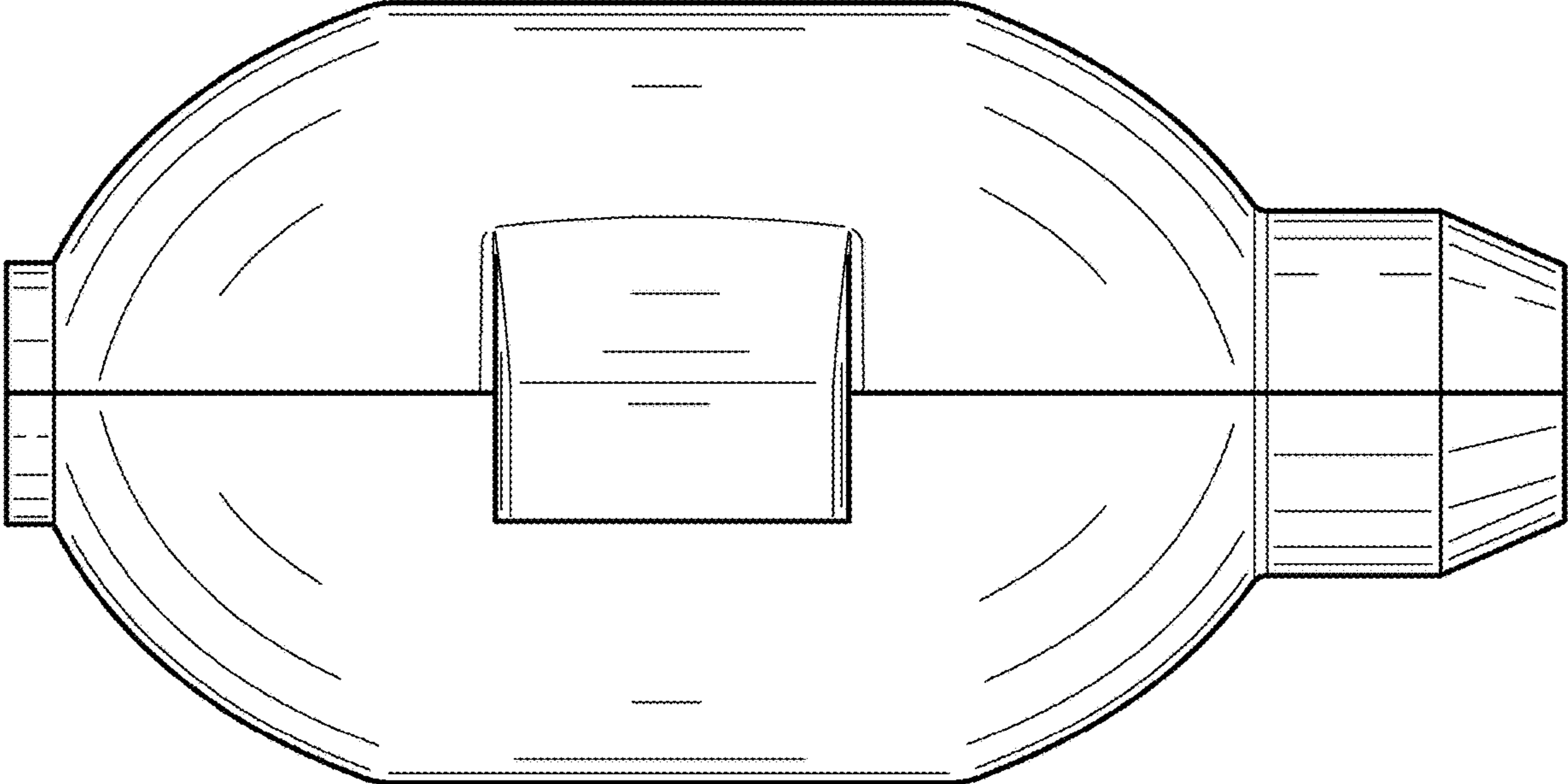


FIG. 4

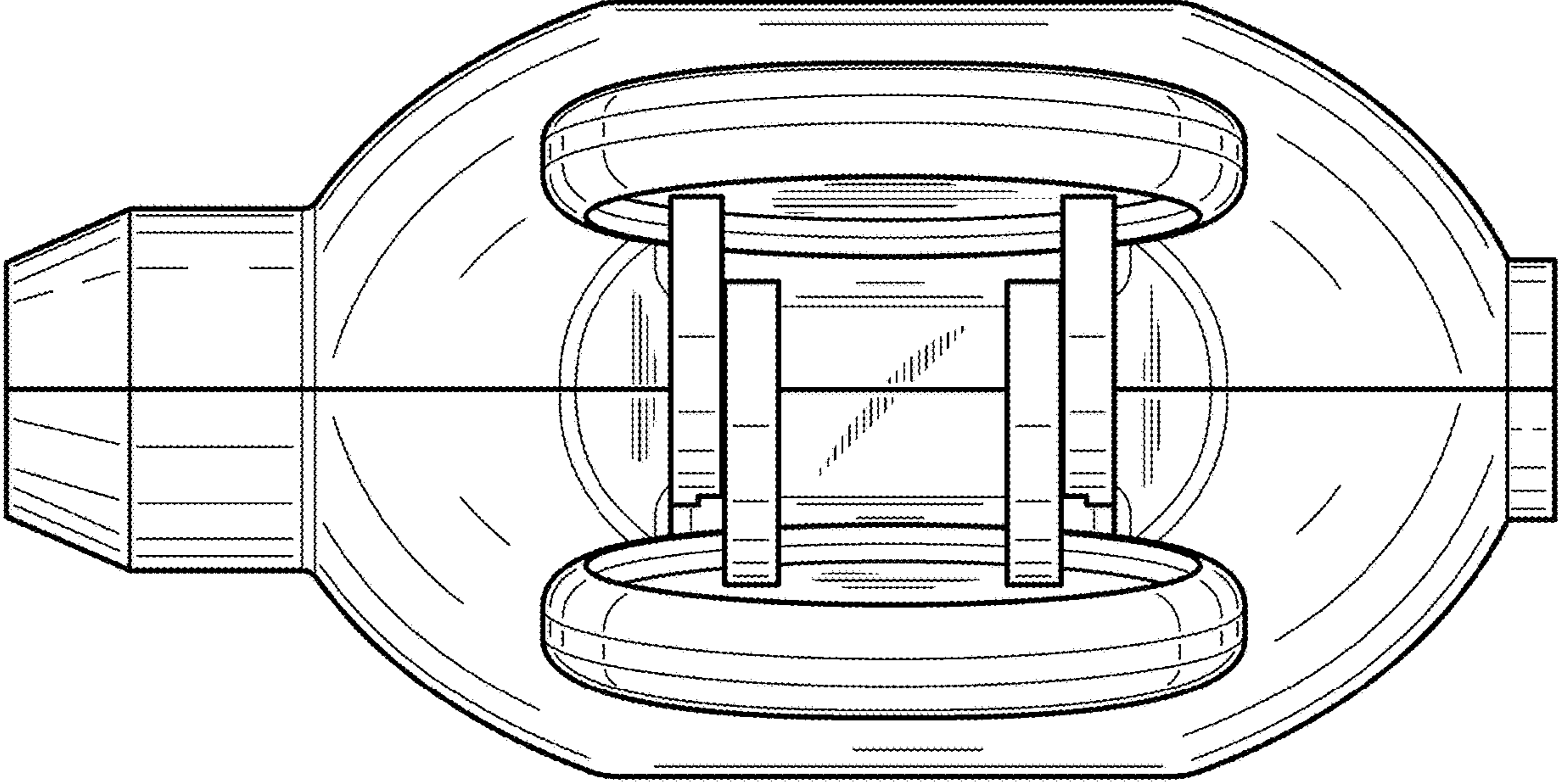


FIG. 5

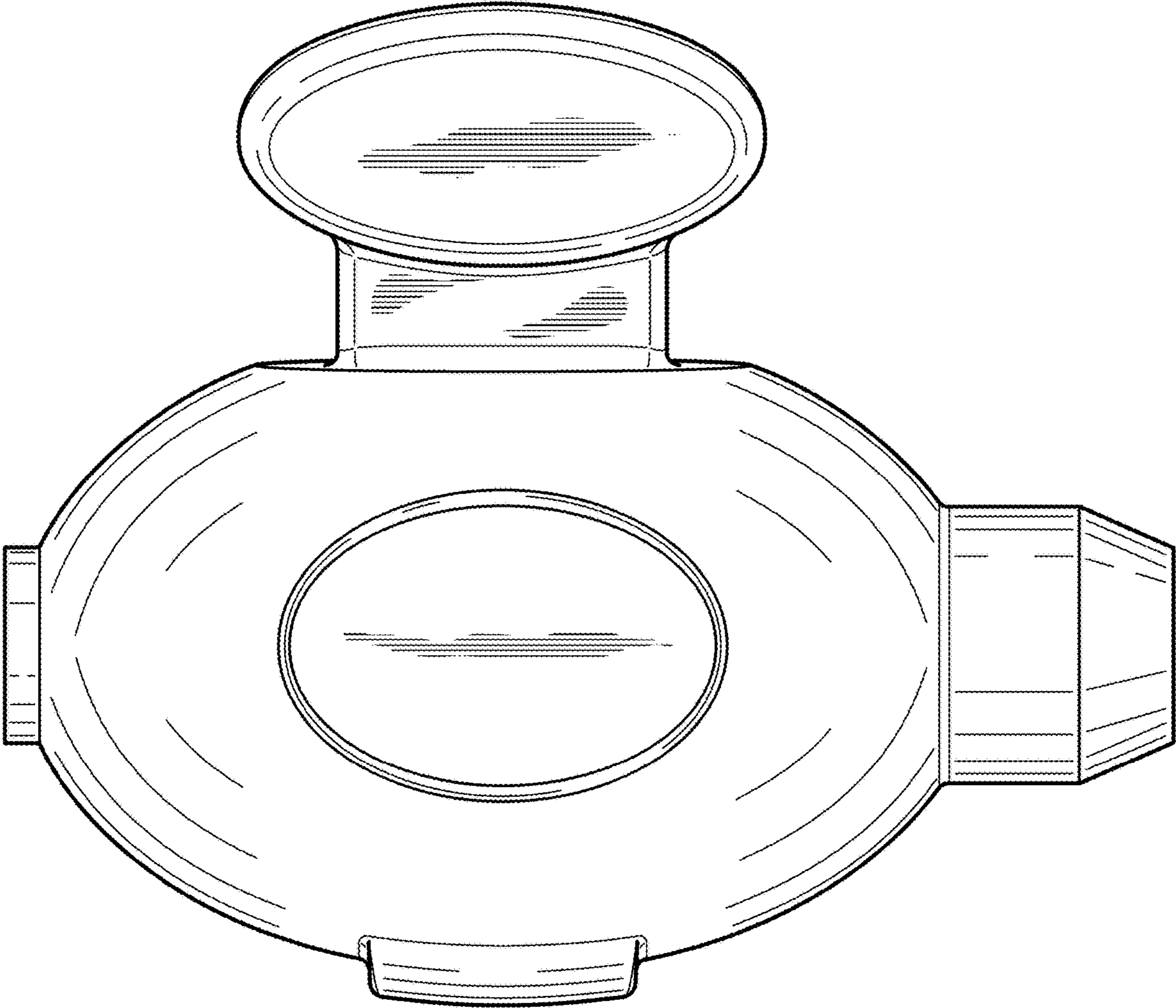
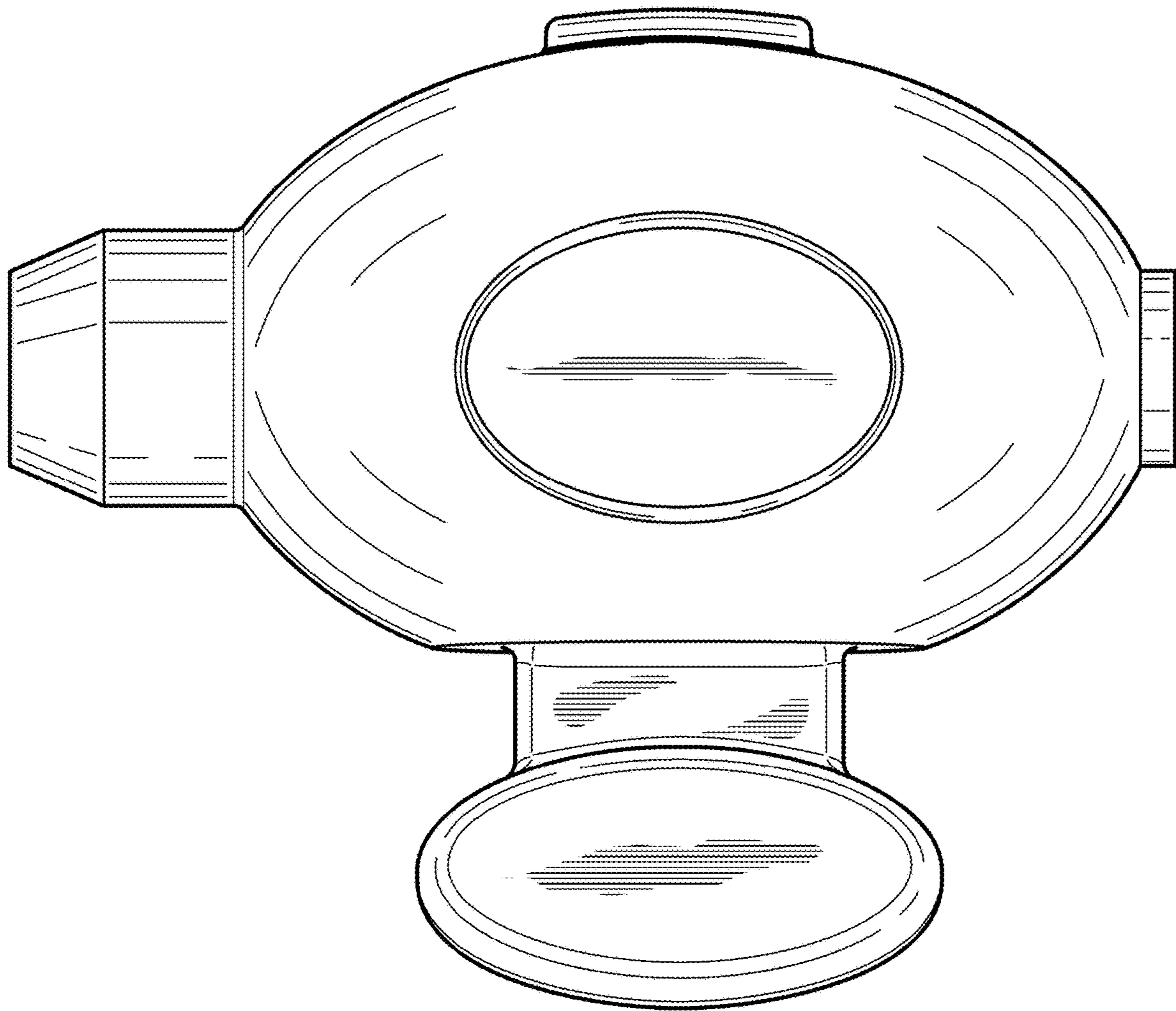


FIG. 6



**FIG. 7**