



US00D922541S

(12) **United States Design Patent**  
**Mulhern et al.**

(10) **Patent No.:** **US D922,541 S**  
(45) **Date of Patent:** **\*\* Jun. 15, 2021**

(54) **ALIGNMENT SUB**

(71) Applicant: **DynaEnergetics Europe GmbH**,  
Troisdorf (DE)  
(72) Inventors: **Eric Mulhern**, Edmonton (CA);  
**Christian Eitschberger**, Munich (DE)  
(73) Assignee: **DynaEnergetics Europe GmbH**,  
Troisdorf (DE)  
(\*\*) Term: **15 Years**

(21) Appl. No.: **29/759,466**

(22) Filed: **Nov. 23, 2020**

**Related U.S. Application Data**

(62) Division of application No. 29/729,981, filed on Mar. 31, 2020.

(51) **LOC (13) Cl.** ..... **23-01**

(52) **U.S. Cl.**  
USPC ..... **D23/262; D15/139**

(58) **Field of Classification Search**  
USPC ..... D15/21, 126, 138-139; D22/100,  
D22/108-112, 199; D8/354, 358, 382,  
(Continued)

(56) **References Cited**

**U.S. PATENT DOCUMENTS**

214,754 A 4/1879 Brock et al.  
2,147,544 A 2/1939 Potts  
(Continued)

**FOREIGN PATENT DOCUMENTS**

CA 3021913 A1 2/2018  
CN 101892822 B 11/2010  
(Continued)

**OTHER PUBLICATIONS**

U.S. Appl. No. 29/729,981, filed Mar. 31, 2020, Eric Mulhern.  
(Continued)

*Primary Examiner* — Amy C Wierenga  
(74) *Attorney, Agent, or Firm* — Moyles IP, LLC

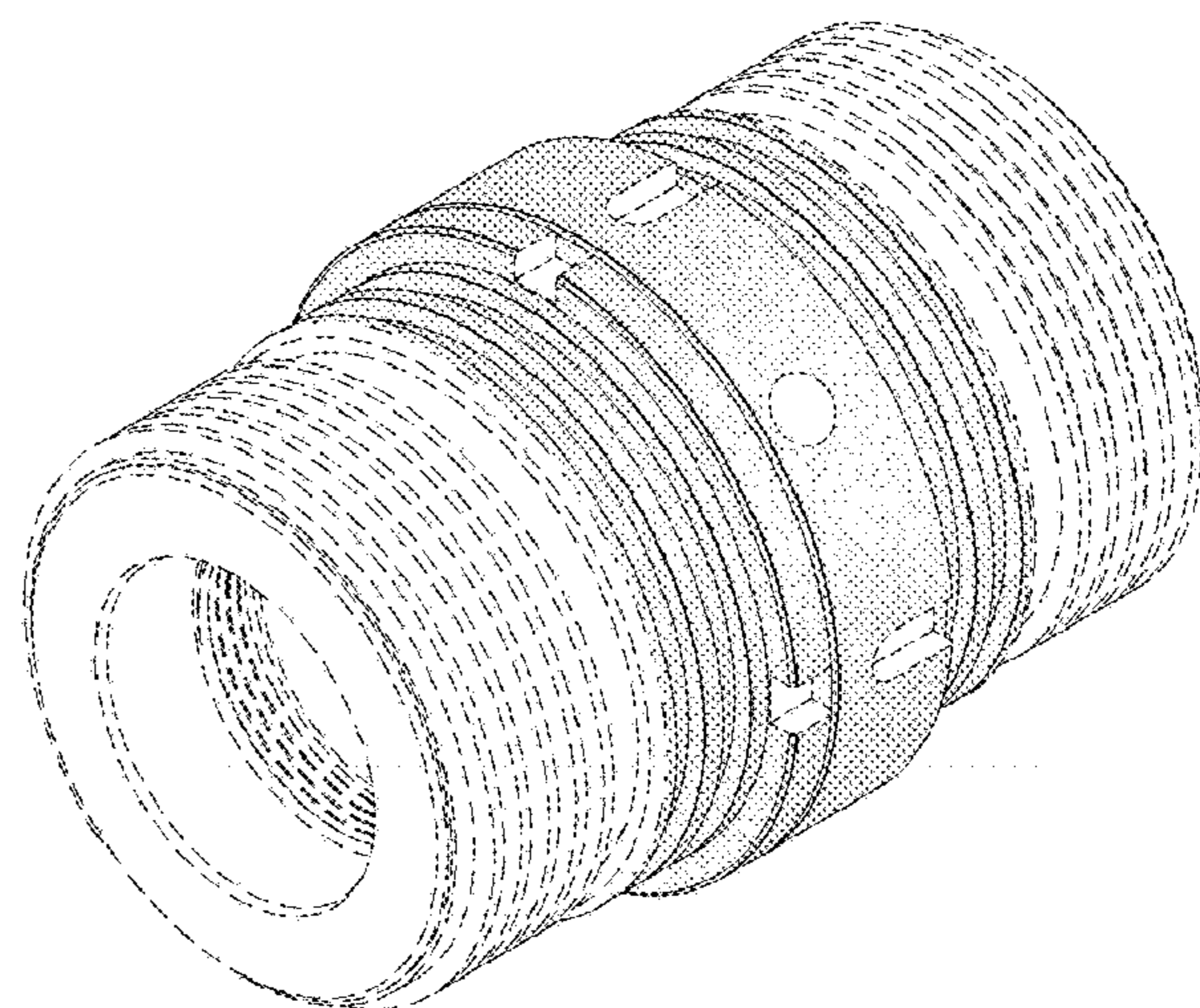
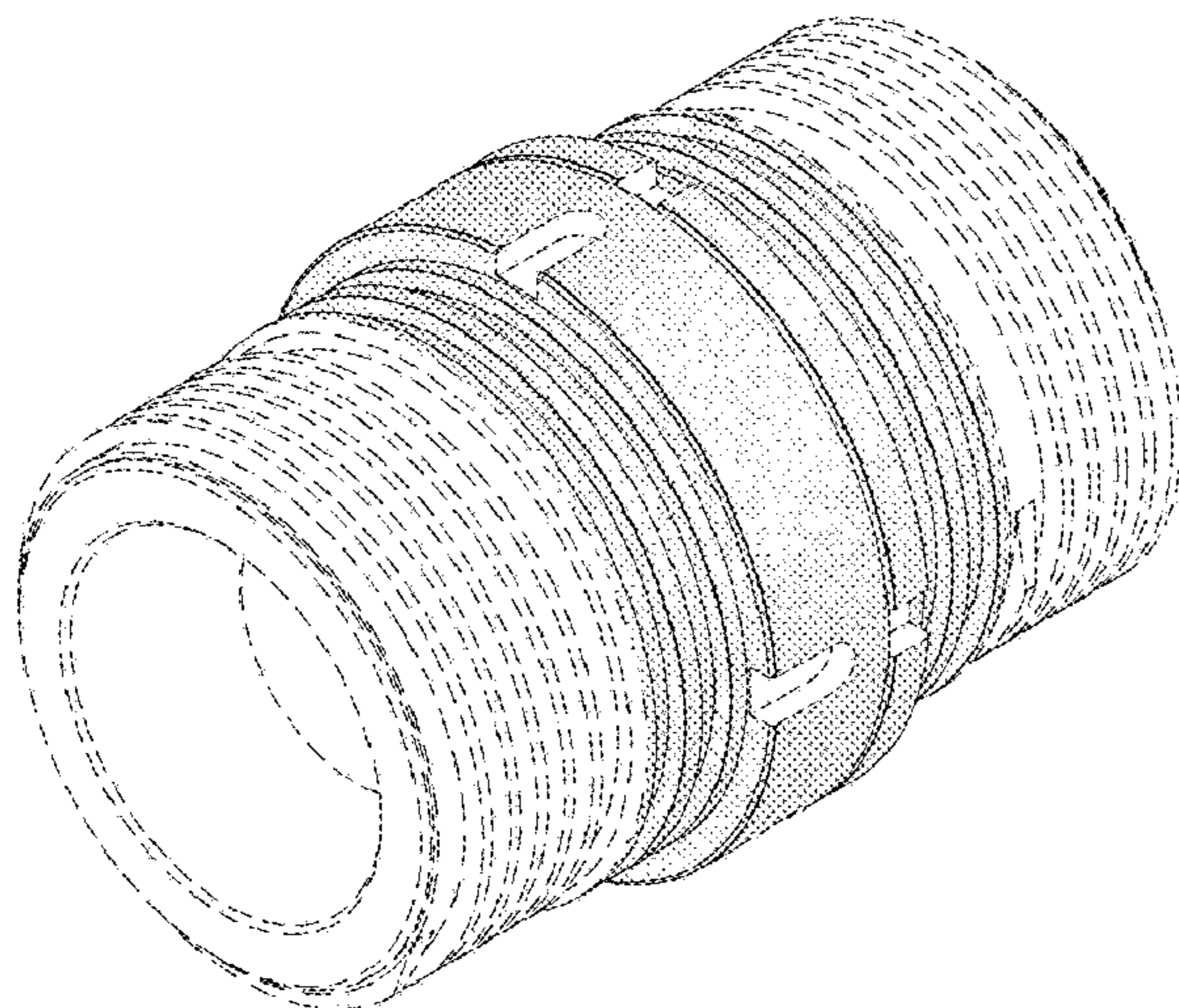
(57) **CLAIM**

We claim the ornamental design of an alignment sub, as shown and described.

**DESCRIPTION**

FIG. 1 is a front left perspective view of an alignment sub, showing an embodiment of our new design; FIG. 2 is a rear right perspective view of the alignment sub as shown in FIG. 1; FIG. 3 is a rear elevated view of the alignment sub as shown in FIG. 1; FIG. 4 is a front elevated view of the alignment sub as shown in FIG. 1; FIG. 5 is a bottom plan view of the alignment sub as shown in FIG. 1; FIG. 6 is a top plan view of the alignment sub as shown in FIG. 1; FIG. 7 is a left side elevated view of the alignment sub as shown in FIG. 1; FIG. 8 is a right side elevated view of the alignment sub as shown in FIG. 1; FIG. 9 is a cross-section view of the alignment sub as shown in FIG. 7 along line 9-9; and, FIG. 10 is a cross-section view of the alignment sub as shown in FIG. 7 along line 10-10. The broken lines consisting of dashes show an environment that forms no part of the claimed design. The broken lines consisting of a double-dot/dash pattern show the boundaries of the claimed design and form no part thereof.

**1 Claim, 5 Drawing Sheets**



(58) **Field of Classification Search**  
 USPC ..... D8/387; D23/259, 262, 266;  
 285/333-334  
 See application file for complete search history.

(56) **References Cited**

U.S. PATENT DOCUMENTS

2,216,359	A	10/1940	Spencer	7,243,722	B2	7/2007	Oosterling et al.
2,308,004	A	1/1943	Hart	7,347,145	B2	3/2008	Teowee et al.
2,418,486	A	4/1947	Smylie	7,364,451	B2	4/2008	Ring et al.
2,550,004	A	4/1951	Doll	7,373,974	B2	5/2008	Connell et al.
2,598,651	A	5/1952	Spencer	7,464,647	B2	12/2008	Teowee et al.
2,695,064	A	11/1954	Ragan et al.	7,487,827	B2	2/2009	Tiernan
2,769,701	A	11/1956	Frederick	7,493,945	B2	2/2009	Doane et al.
3,094,166	A	6/1963	Mccullough	7,591,212	B2	9/2009	Myers, Jr. et al.
3,154,632	A	10/1964	Browne	7,617,775	B2	11/2009	Teowee
3,211,222	A	10/1965	Myers	7,661,474	B2	2/2010	Campbell et al.
3,220,480	A	11/1965	Myers	7,845,431	B2	12/2010	Eriksen et al.
3,244,232	A	4/1966	Myers	8,127,846	B2	3/2012	Hill et al.
3,246,707	A	4/1966	Bell	8,136,439	B2 *	3/2012	Bell ..... F42D 3/00 89/1.15
3,264,994	A	8/1966	Kurt	8,230,932	B2	7/2012	Ratcliffe et al.
3,298,437	A	1/1967	Conrad	8,264,814	B2	9/2012	Love et al.
D222,469	S	10/1971	Plummer	8,281,851	B2	10/2012	Spence
D227,763	S	7/1973	Hand	8,322,413	B2	12/2012	Bishop et al.
4,003,433	A	1/1977	Goins	8,336,437	B2	12/2012	Barlow et al.
4,064,935	A	12/1977	Mohaupt	D682,384	S	5/2013	Jaureguizar
4,100,978	A	7/1978	Boop	8,474,533	B2	7/2013	Miller et al.
4,140,188	A	2/1979	Vann	8,479,830	B2	7/2013	Denoix et al.
4,266,613	A	5/1981	Boop	D689,590	S	9/2013	Brose
4,290,486	A	9/1981	Regalbuto	8,540,021	B2	9/2013	McCarter et al.
4,429,741	A	2/1984	Hyland	D698,904	S	2/2014	Milligan et al.
4,523,650	A	6/1985	Sehnert et al.	8,646,520	B2	2/2014	Chen
4,620,591	A	11/1986	Terrell et al.	8,689,868	B2	4/2014	Lerche et al.
4,621,396	A	11/1986	Walker et al.	8,752,650	B2	6/2014	Gray
4,650,009	A	3/1987	McClure et al.	8,770,271	B2	7/2014	Fielder et al.
4,657,089	A	4/1987	Stout	8,770,301	B2	7/2014	Bell
4,753,170	A	6/1988	Regalbuto et al.	D712,013	S	8/2014	Mather et al.
4,800,815	A	1/1989	Appledom et al.	8,833,441	B2	9/2014	Fielder et al.
4,808,925	A	2/1989	Baird	8,863,665	B2	10/2014	DeVries et al.
4,830,120	A	5/1989	Stout	8,869,887	B2	10/2014	Deere et al.
4,840,231	A	6/1989	Berzin et al.	8,875,787	B2	11/2014	Tassaroli
5,027,708	A	7/1991	Gonzalez et al.	9,145,763	B1	9/2015	Sites, Jr.
5,042,594	A	8/1991	Gonzalez et al.	9,145,764	B2	9/2015	Burton et al.
5,050,691	A	9/1991	Moses	9,206,675	B2	12/2015	Hales et al.
5,115,196	A	5/1992	Low et al.	D749,519	S *	2/2016	Su ..... D13/147
5,211,224	A	5/1993	Bouldin	9,284,819	B2	3/2016	Tolman et al.
5,241,891	A	9/1993	Hayes et al.	9,441,465	B2	9/2016	Tassaroli
5,392,851	A	2/1995	Arend	9,476,289	B2	10/2016	Wells
5,392,860	A	2/1995	Ross	9,494,021	B2	11/2016	Parks et al.
5,398,753	A	3/1995	Obrejanu et al.	9,523,271	B2	12/2016	Bonavides et al.
5,490,563	A *	2/1996	Wesson ..... E21B 41/00 166/297	D783,133	S	4/2017	Fitzhugh et al.
5,511,620	A	4/1996	Baugh et al.	9,677,363	B2	6/2017	Schacherer et al.
5,603,384	A	2/1997	Bethel et al.	9,689,223	B2	6/2017	Schacherer et al.
D417,252	S	11/1999	Kay	9,695,673	B1	7/2017	Latiolais
5,992,289	A	11/1999	George et al.	9,702,211	B2	7/2017	Tinnen
5,992,523	A	11/1999	Burleson et al.	9,784,549	B2	10/2017	Eitschberger
D418,210	S	12/1999	Roesch	9,822,596	B2	11/2017	Clemens et al.
6,032,733	A	3/2000	Ludwig et al.	9,822,618	B2 *	11/2017	Eitschberger ..... E21B 43/1185
6,196,325	B1 *	3/2001	Connell ..... E21B 17/023 166/377	D807,991	S	1/2018	Fitzhugh et al.
6,263,283	B1	7/2001	Snider et al.	9,879,501	B2	1/2018	Hammer et al.
6,298,915	B1	10/2001	George	9,903,192	B2	2/2018	Entchev et al.
6,431,269	B1	8/2002	Post et al.	9,909,376	B2	3/2018	Hrametz et al.
6,516,901	B1	2/2003	Falgout	10,066,921	B2	9/2018	Eitschberger
6,763,883	B2	7/2004	Green et al.	10,072,783	B2 *	9/2018	Gledhill ..... F16L 37/091
6,843,317	B2	1/2005	Mackenzie	10,077,626	B2	9/2018	Xu et al.
6,966,262	B2	11/2005	Jennings, III	D833,581	S *	11/2018	Atwell ..... D23/259
6,966,378	B2	11/2005	Hromas et al.	10,138,713	B2	11/2018	Tolman et al.
6,988,449	B2	1/2006	Teowee et al.	10,151,180	B2	12/2018	Robey et al.
7,013,977	B2	3/2006	Nordaas	10,188,990	B2	1/2019	Burmeister et al.
7,066,280	B2	6/2006	Sullivan et al.	10,246,961	B2	4/2019	Robertson et al.
7,082,877	B2	8/2006	Jennings, III	10,273,788	B2	4/2019	Bradley et al.
7,086,481	B2	8/2006	Hosie et al.	10,352,144	B2	7/2019	Entchev et al.
D532,947	S	11/2006	Muscarella	10,385,629	B2	8/2019	Spence et al.
7,204,308	B2	4/2007	Dudley et al.	10,422,195	B2	9/2019	LaGrange et al.
				10,428,595	B2	10/2019	Bradley et al.
				10,458,213	B1	10/2019	Eitschberger et al.
				10,472,901	B2	11/2019	Engel et al.
				10,472,938	B2 *	11/2019	Parks ..... F42D 1/02
				D873,373	S	1/2020	Hartman et al.
				D877,286	S	3/2020	Hartman et al.
				D892,278	S	3/2020	Eitschberger
				10,578,235	B2 *	3/2020	Graham ..... F16L 37/091
				10,677,026	B2	6/2020	Sokolove et al.
				2005/0229805	A1	10/2005	Myers, Jr. et al.

(56)

References Cited

U.S. PATENT DOCUMENTS

2005/0279513 A1\* 12/2005 Eppink ..... F16L 15/08  
166/380

2006/0082152 A1 4/2006 Neves

2007/0084336 A1 4/2007 Neves

2007/0125540 A1 6/2007 Gerez et al.

2008/0047456 A1 2/2008 Li et al.

2008/0110612 A1 5/2008 Prinz et al.

2008/0110632 A1 5/2008 Beall

2008/0134922 A1 6/2008 Grattan et al.

2008/0264639 A1 10/2008 Parrott et al.

2009/0272529 A1 11/2009 Crawford

2010/0022125 A1 1/2010 Burris et al.

2010/0089643 A1 4/2010 Vidal

2010/0163224 A1 7/2010 Strickland

2010/0307773 A1 12/2010 Tinnen et al.

2011/0024116 A1 2/2011 McCann et al.

2012/0006217 A1 1/2012 Anderson

2012/0080202 A1\* 4/2012 Greenlee ..... E21B 33/1265  
166/387

2012/0085538 A1 4/2012 Guerrero et al.

2012/0160483 A1 6/2012 Carisella

2012/0199352 A1 8/2012 Lanclos et al.

2012/0241169 A1 9/2012 Hales et al.

2013/0008639 A1\* 1/2013 Tassaroli ..... E21B 43/116  
166/55.2

2013/0043074 A1\* 2/2013 Tassaroli ..... E21B 43/1185  
175/2

2013/0048375 A1\* 2/2013 Rodgers ..... E21B 43/1195  
175/4.6

2013/0199843 A1 8/2013 Ross

2013/0248174 A1 9/2013 Dale et al.

2014/0000877 A1 1/2014 Robertson et al.

2014/0166370 A1 6/2014 Silva

2015/0136419 A1\* 5/2015 Mauldin ..... E21B 43/116  
166/378

2015/0176386 A1 6/2015 Castillo et al.

2015/0226044 A1 8/2015 Ursi et al.

2015/0330192 A1 11/2015 Rogman et al.

2016/0040520 A1 2/2016 Tolman et al.

2016/0061572 A1 3/2016 Eitschberger et al.

2016/0202033 A1 7/2016 Shahinpour et al.

2016/0290084 A1\* 10/2016 LaGrange ..... E21B 43/11

2016/0298404 A1 10/2016 Beckett et al.

2016/0356132 A1 12/2016 Burmeister et al.

2017/0044865 A1 2/2017 Sabins et al.

2017/0052011 A1 2/2017 Parks et al.

2017/0138150 A1\* 5/2017 Yencho ..... E21B 33/134

2017/0145798 A1 5/2017 Robey et al.

2017/0226814 A1 8/2017 Clemens et al.

2017/0241244 A1 8/2017 Barker et al.

2017/0268860 A1\* 9/2017 Eitschberger ..... F42D 1/05

2017/0298716 A1 10/2017 McConnell et al.

2017/0314372 A1 11/2017 Tolman et al.

2017/0328134 A1 11/2017 Sampson et al.

2017/0328160 A1 11/2017 Amaly

2018/0030334 A1 2/2018 Collier et al.

2018/0087330 A1 3/2018 Bradley et al.

2018/0119529 A1\* 5/2018 Goyeneche ..... E21B 43/117

2018/0209250 A1 7/2018 Daly et al.

2018/0252054 A1 9/2018 Stokes

2018/0274342 A1 9/2018 Sites

2018/0299239 A1 10/2018 Eitschberger et al.

2018/0306010 A1 10/2018 Von Kaenel et al.

2018/0318770 A1 11/2018 Eitschberger et al.

2018/0347324 A1 12/2018 Langford et al.

2018/0363424 A1 12/2018 Schroeder et al.

2019/0032470 A1 1/2019 Harrigan

2019/0040722 A1 2/2019 Yang et al.

2019/0048693 A1 2/2019 Henke et al.

2019/0049225 A1 2/2019 Eitschberger

2019/0106956 A1 4/2019 Wells

2019/0106962 A1 4/2019 Lee et al.

2019/0153827 A1 5/2019 Goyeneche

2019/0162056 A1\* 5/2019 Sansing ..... E21B 43/117

2019/0195054 A1\* 6/2019 Bradley ..... E21B 43/1185

2019/0234188 A1\* 8/2019 Goyeneche ..... E21B 43/119

2019/0257158 A1 8/2019 Langford et al.

2019/0284889 A1 9/2019 LaGrange et al.

2019/0292887 A1 9/2019 Austin, II et al.

2019/0316449 A1 10/2019 Schultz et al.

2019/0330947 A1 10/2019 Mulhern et al.

2019/0330961 A1 10/2019 Knight et al.

2019/0366272 A1 12/2019 Eitschberger et al.

2020/0018132 A1 1/2020 Ham

2020/0024934 A1 1/2020 Eitschberger et al.

2020/0024935 A1 1/2020 Eitschberger et al.

2020/0063537 A1 2/2020 Langford et al.

2020/0088011 A1\* 3/2020 Eitschberger ..... G01R 27/00

2020/0182025 A1 6/2020 Brady

2020/0199983 A1 6/2020 Preiss et al.

2020/0217635 A1 7/2020 Eitschberger

2020/0248536 A1 8/2020 Holodnak et al.

2020/0256166 A1 8/2020 Knight et al.

2020/0256168 A1 8/2020 Knight et al.

2020/0284104 A1 9/2020 Holmberg et al.

FOREIGN PATENT DOCUMENTS

EP 332287 B1 7/1992

RU 2204706 C1 5/2003

WO 2001059401 A1 8/2001

WO 2012006357 A2 1/2012

WO 2016100064 A1 6/2016

WO 2016100269 A1 6/2016

WO 2018009223 A1 1/2018

OTHER PUBLICATIONS

Allied Horizontal Wireline Services, Addressable Disconnect Tool, Mar. 19, 2016, 3 pgs., <http://alliedhorizontal.com/wireline-services/cased-hole-services/addressable-disconnect-tool/>.

Baker Hughes; SurePerf Rapid Select-Fire System Perforate production zones in a single run; 2012; 2 pages.

Canadian Intellectual Property Office, Office Action of CA App. No. 3,040,648, dated Jun. 11, 2020, 4 pgs.

Canatex, BRT Ballistic Release Tool, Dec. 13, 2017, 1 pg., [https://daks2k3a4ib2z.cloudfront.net/59a43992f0b9de0001da166e/5a31b3b3fd7b9d00016b950a\\_CTX\\_BRT\\_CX17006.X02\\_13Dec2017.pdf](https://daks2k3a4ib2z.cloudfront.net/59a43992f0b9de0001da166e/5a31b3b3fd7b9d00016b950a_CTX_BRT_CX17006.X02_13Dec2017.pdf).

Core Lab, ZERO180™ Gun System Assembly and Arming Procedures, 2015, 33 pgs., <https://www.corelab.com/owen/CMS/docs/Manuals/gunsys/zero180/MAN-Z180-000.pdf>.

Dynaenergetics, Electronic Top Fire Detonator, Product Information Sheet, Jul. 30, 2013, 1 pg.

GB Intellectual Property Office, Combined Search and Examination Report for GB App. No. 1717516.7, dated Feb. 27, 2018, 6 pgs.

GB Intellectual Property Office, Combined Search and Examination Report for GB App. No. GB1700625.5, dated Jul. 7, 2017, 5 pages.

GE Oil & Gas, Addressable Downhole Release Tools, Mar. 23, 2018, 5 pgs., <https://www.bhge.com/upstream/evaluation/wireline-products-and-equipment/downhole-equipment/addressable-downhole-release-tools>.

GE Oil & Gas, Pipe Recovery Technology & Wireline Accessories, 2013, 435 pages.

German Patent Office, Office Action for German Patent Application No. 10 2013 109 227.6, which is in the same family as PCT Application No. PCT/EP2014/065752, see p. 5 for references cited, May 22, 2014, 8 pgs.

GR Energy Services, ZipRelease Addressable Wireline Release Tool, Dec. 8, 2016, 2 pgs., <https://grenergyservices.com/completion-services/perforating/addressable-wireline-release>.

Halliburton, Releasable Cable Heads, 1 pg., Mar. 23, 2018, <https://www.halliburton.com/en-US/ps/wireline-perforating/wireline-and-perforating/deployment-risk-avoidance/releasable-wireline-cable-head-rwch-tool.html>.

(56)

**References Cited**

## OTHER PUBLICATIONS

Halliburton, Releasable Wireline Cable Head (RWCH Tool), 2016, 2 pgs., [https://www.halliburton.com/content/dam/ps/public/lp/contents/Data\\_Sheets/web/H/Releasable-Wireline-Cable-Head-Tool-RWCH.pdf](https://www.halliburton.com/content/dam/ps/public/lp/contents/Data_Sheets/web/H/Releasable-Wireline-Cable-Head-Tool-RWCH.pdf).

Hunting Titan, T-Set Setting Tool Product Catalog, 2015, 87 pgs., [http://www.hunting-intl.com/media/1872254/AMG-1054.HT\\_T-Set\\_Catalog\\_LowRes.pdf](http://www.hunting-intl.com/media/1872254/AMG-1054.HT_T-Set_Catalog_LowRes.pdf).

Hunting, T-Set® Family of Setting Tools, 2 pages.

Hunting, T-Set® Tool Catalog, Sep. 27, 2016, 87 pages.

International Searching Authority, International Search Report and Written Opinion of International App. No. PCT/IB2019/000569, dated Oct. 9, 2019, 12 pages.

International Searching Authority, The International Search Report and Written Opinion of International App. No. PCT/IB2019/000537, dated Sep. 25, 2019, 18 pgs.

Owen Oil Tools, Expendable Perforating Guns, Jul. 2008, 7 pgs., [https://www.corelab.com/owen/cms/docs/Canada/10A\\_erhsc-01.0-c.pdf](https://www.corelab.com/owen/cms/docs/Canada/10A_erhsc-01.0-c.pdf).

Owens Oil Tools, E & B Select Fire Side Port Tandem Sub Assembly, 2009, 9 pgs., <https://www.corelab.com/owen/CMW/docs/Manuals/gunsys/MAN-30-XXX-0002-96-R00.pdf>.

PCT Search Report and Written Opinion, dated May 4, 2015: See Search Report and Written opinion for PCT Application No. PCT/EP2014/065752, 12 pgs.

Schlumberger, Perforating Services Catalog, 2008, 521 pages.

SIPO, Search Report dated Mar. 29, 2017, in Chinese: See Search Report for CN App. No. 201480040456.9, 12 pgs. (English Translation 3 pgs.).

Thilo Scharf; “DynaStage & BTM Introduction”; pp. 4-5, 9; presented at 2014 Offshore Technology Conference; May 2014.

Thru-Tubing Systems, Series 1200—Auto Release Tool, 2003, 2 pgs., <http://www.thrutubingsystems.com/Intervention-products-and-services.php?product=/wireline-products/series-1200-auto-release-tool>.

UK Examination Report of United Kingdom Patent Application No. GB1600085.3, which is in the same family as U.S. Pat. No. 9,702,680 issued Jul. 11, 2017, dated Mar. 9, 2016, 1 pg.

United States District Court for the Southern District of Texas Houston Division, Case 4:19-cv-01611 for U.S. Pat. No. 9,581,422B2, Defendant’s Answers, Counterclaims and Exhibits, dated May 28, 2019, 135 pgs.

United States District Court for the Southern District of Texas Houston Division, Case 4:19-cv-01611 for U.S. Pat. No. 9,581,422B2, Plaintiff’s Complaint and Exhibits, dated May 2, 2019, 26 pgs.

United States District Court for the Southern District of Texas Houston Division, Case 4:19-cv-01611 for U.S. Pat. No. 9,581,422B2, Plaintiffs’ Motion to Dismiss and Exhibits, dated Jun. 17, 2019, 63 pgs.

United States Patent and Trademark Office, Notice of Allowance for U.S. Appl. No. 29/729,981, dated Sep. 18, 2020, 9 pages.

United States Patent and Trademark Office, Office Action of U.S. Appl. No. 16/455,816, dated Nov. 5, 2019, 17 pgs.

United States Patent and Trademark Office; Ex Parte Quayle Action for U.S. Appl. No. 29/729,981; dated Jun. 15, 2020; 6 pages.

United States Patent and Trademark Office; Notice of Allowance and Fees due for U.S. Appl. No. 29/729,956; dated Jun. 18, 2020; 22 pages.

United States Patent and Trademark Office; Notice of Allowance for U.S. Appl. No. 16/423,789; dated Jul. 23, 2020 7 pages.

WIPO, International Search Report for International Application No. PCT/CA2014/050673, dated Oct. 9, 2014, 3 pgs.

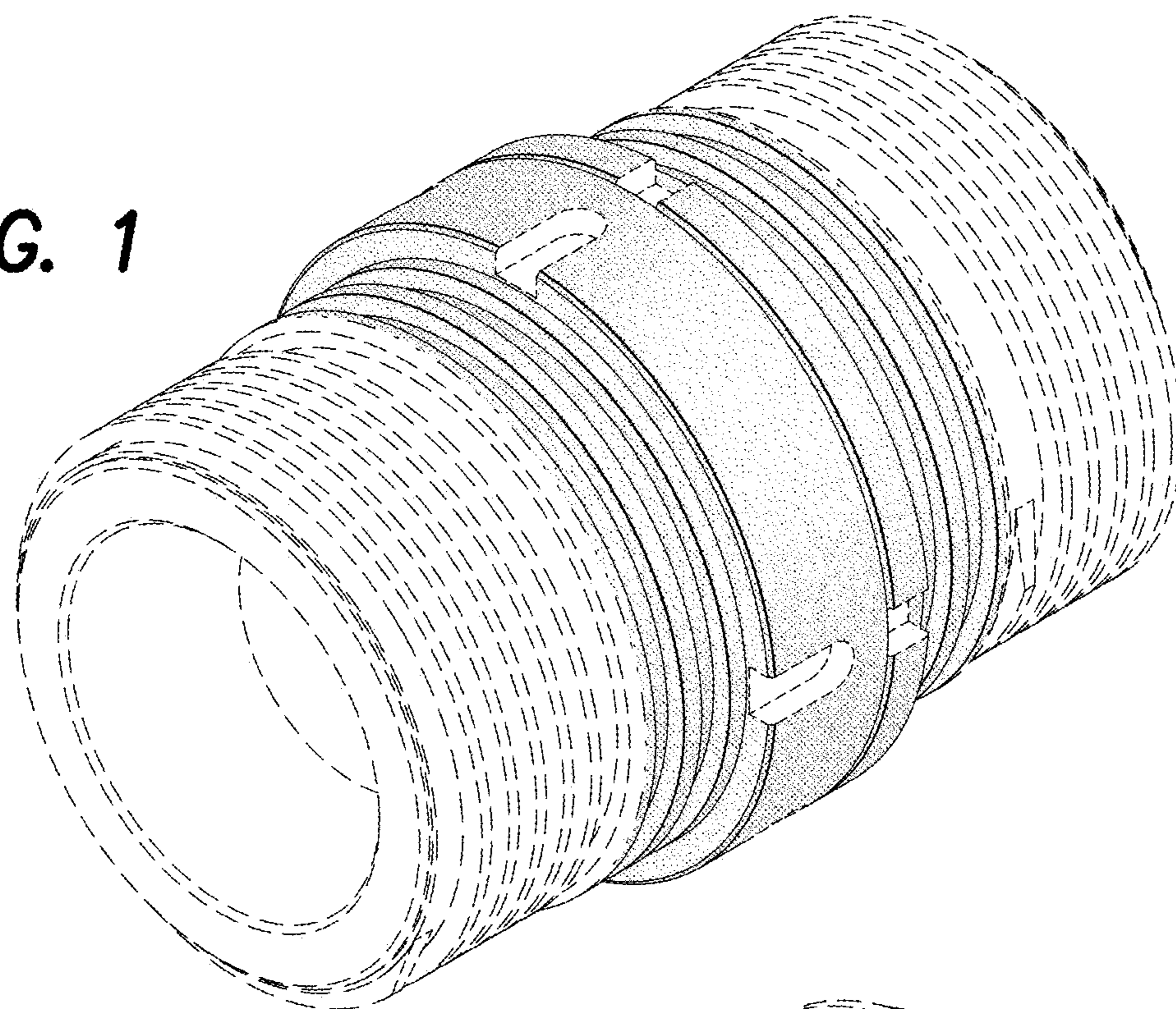
WIPO, Written Opinion of International Searching Authority for PCT Application No. PCT/CA2014/050673, dated Oct. 9, 2014, 4 pgs.

Yellow Jacket Oil Tools, Orienting Sub, 2019, 2 pgs., <https://www.yjoiltools.com/Wireline-Subs/Orienting-Sub>.

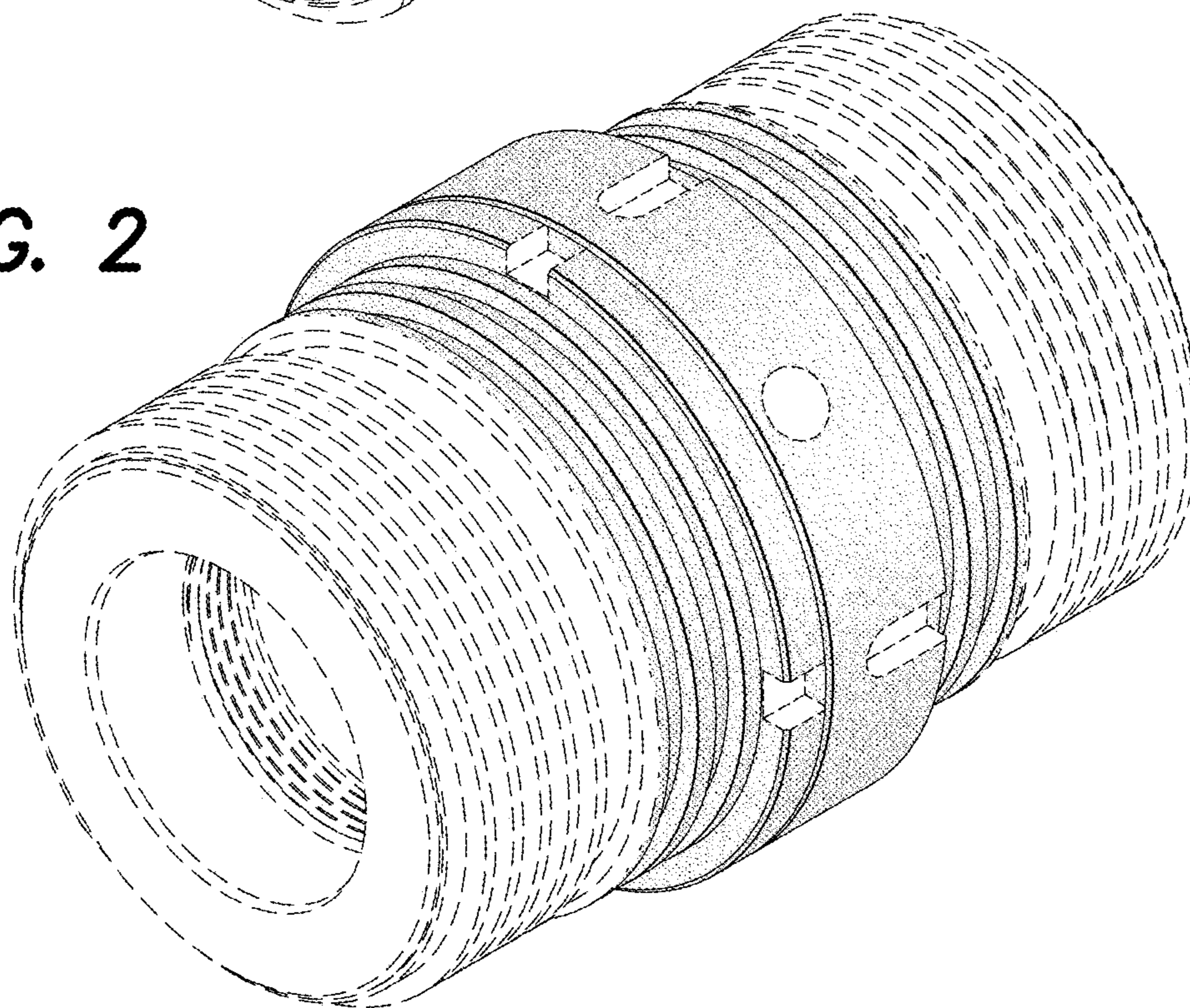
Yellow Jacket Oil Tools; Tandem Sub; 2019; 3 pages.

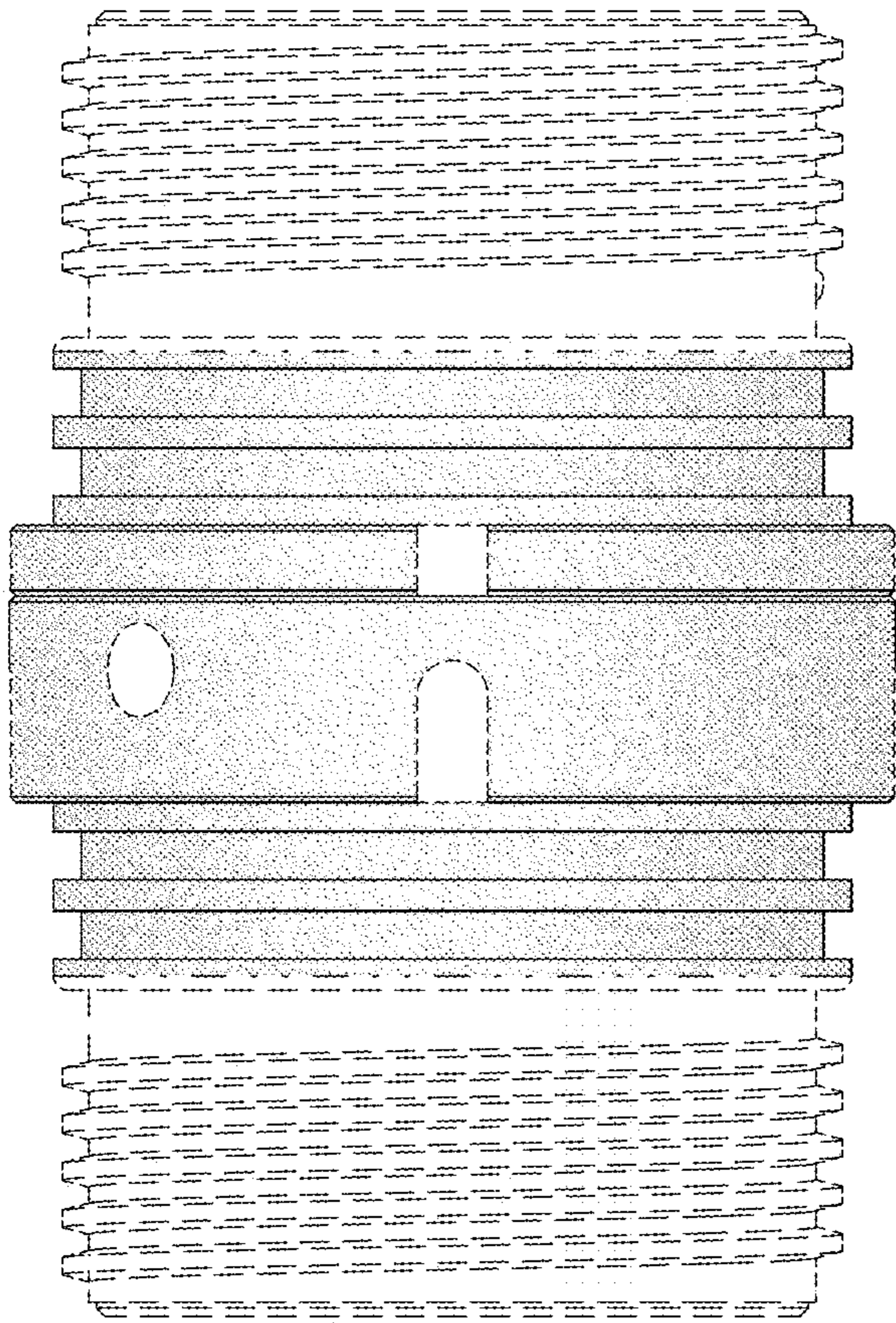
\* cited by examiner

**FIG. 1**

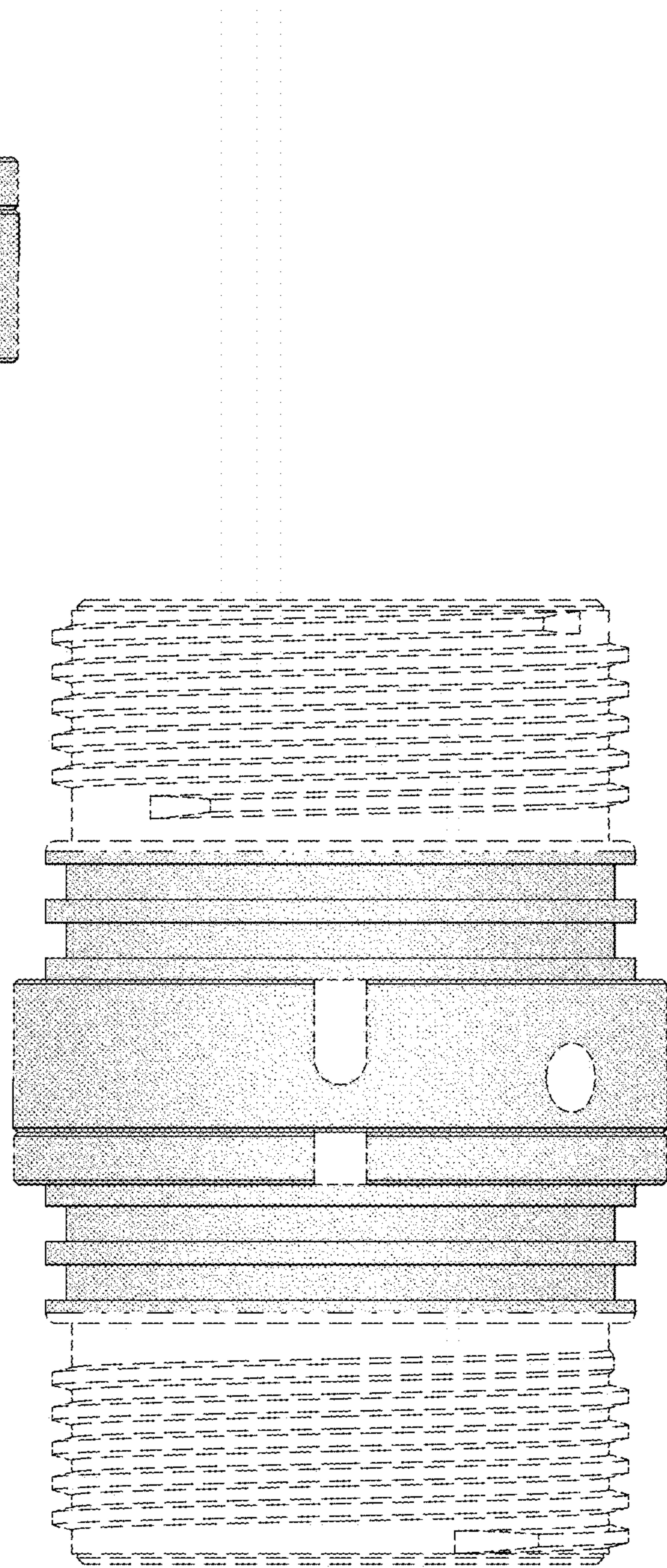


**FIG. 2**

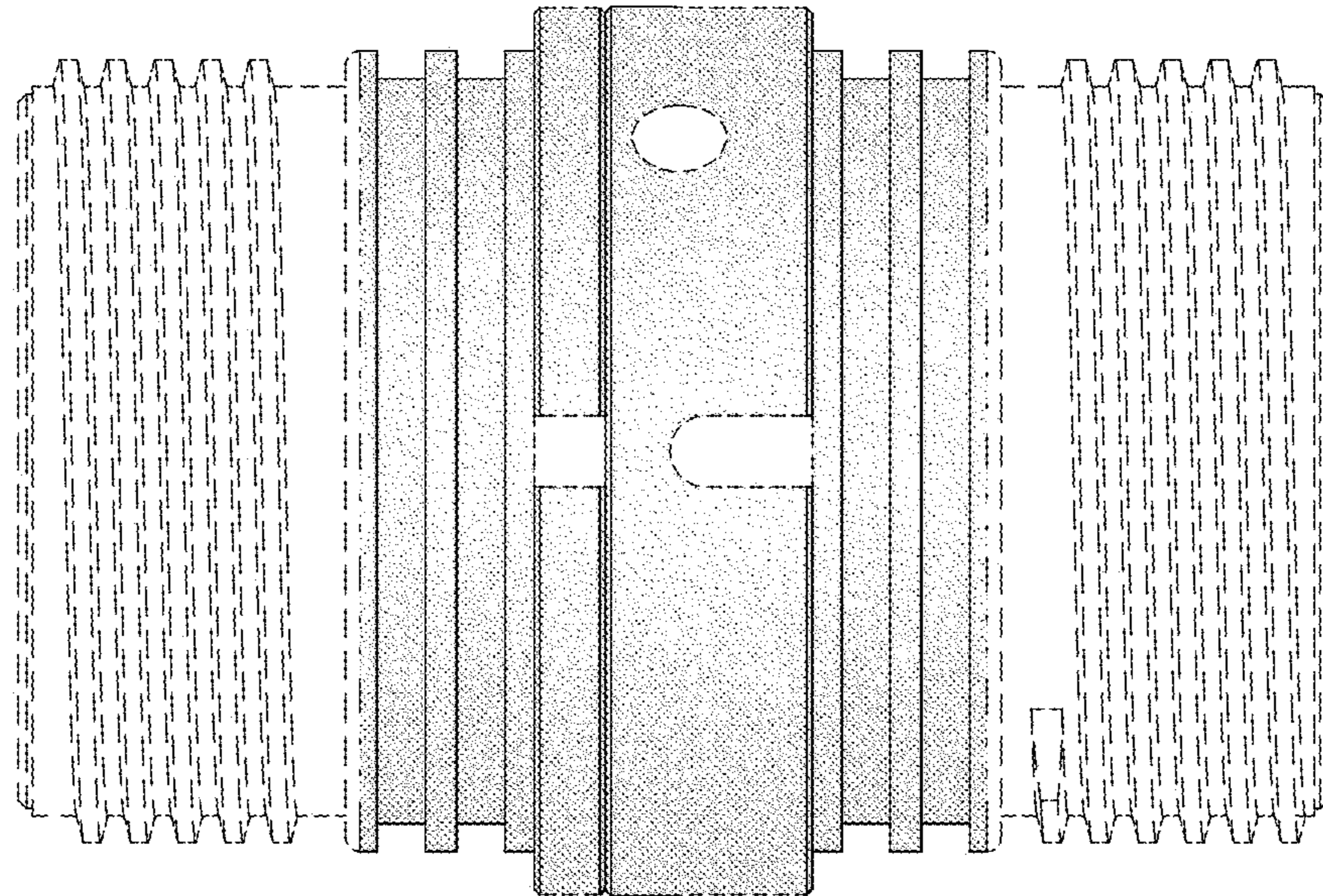




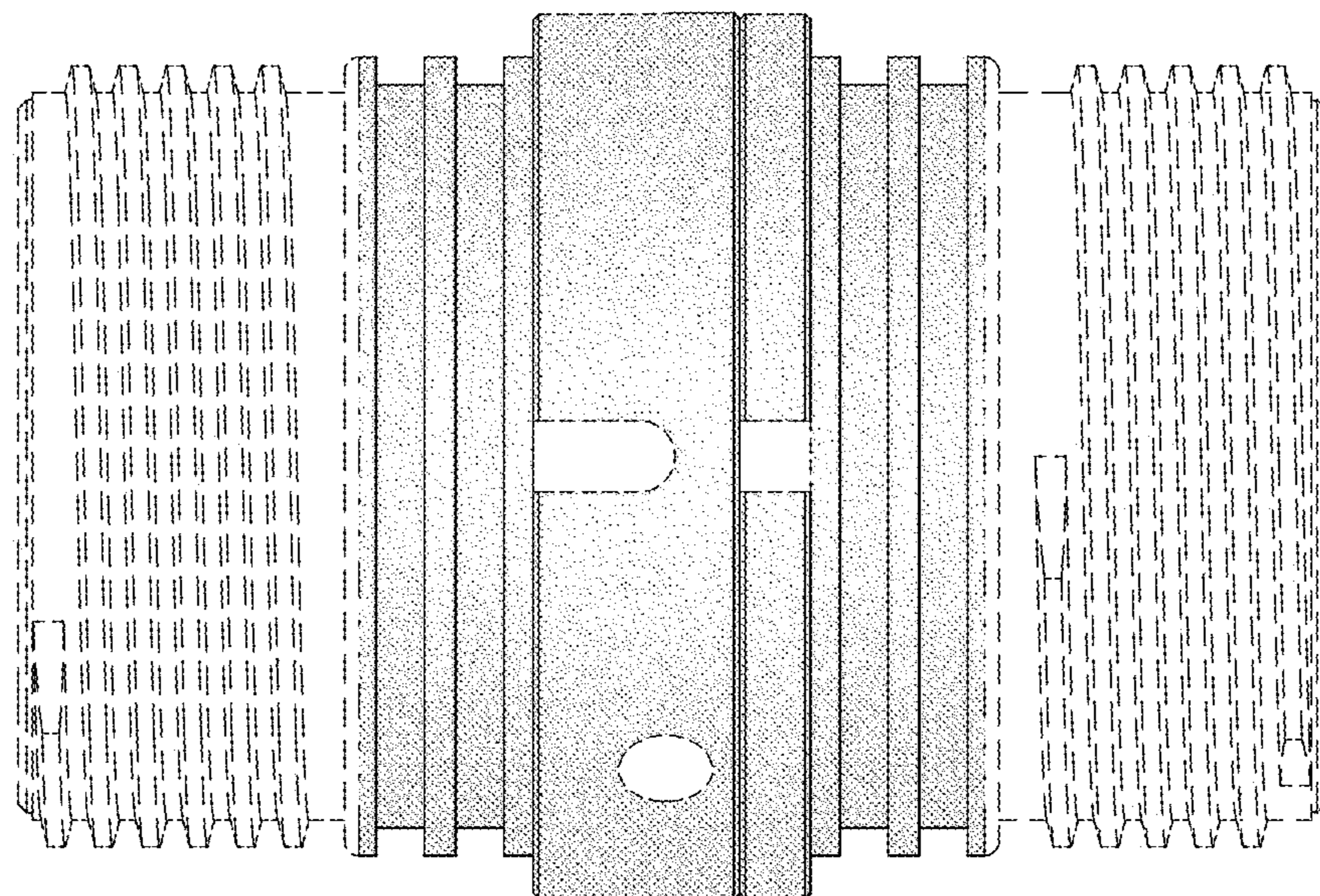
**FIG. 3**



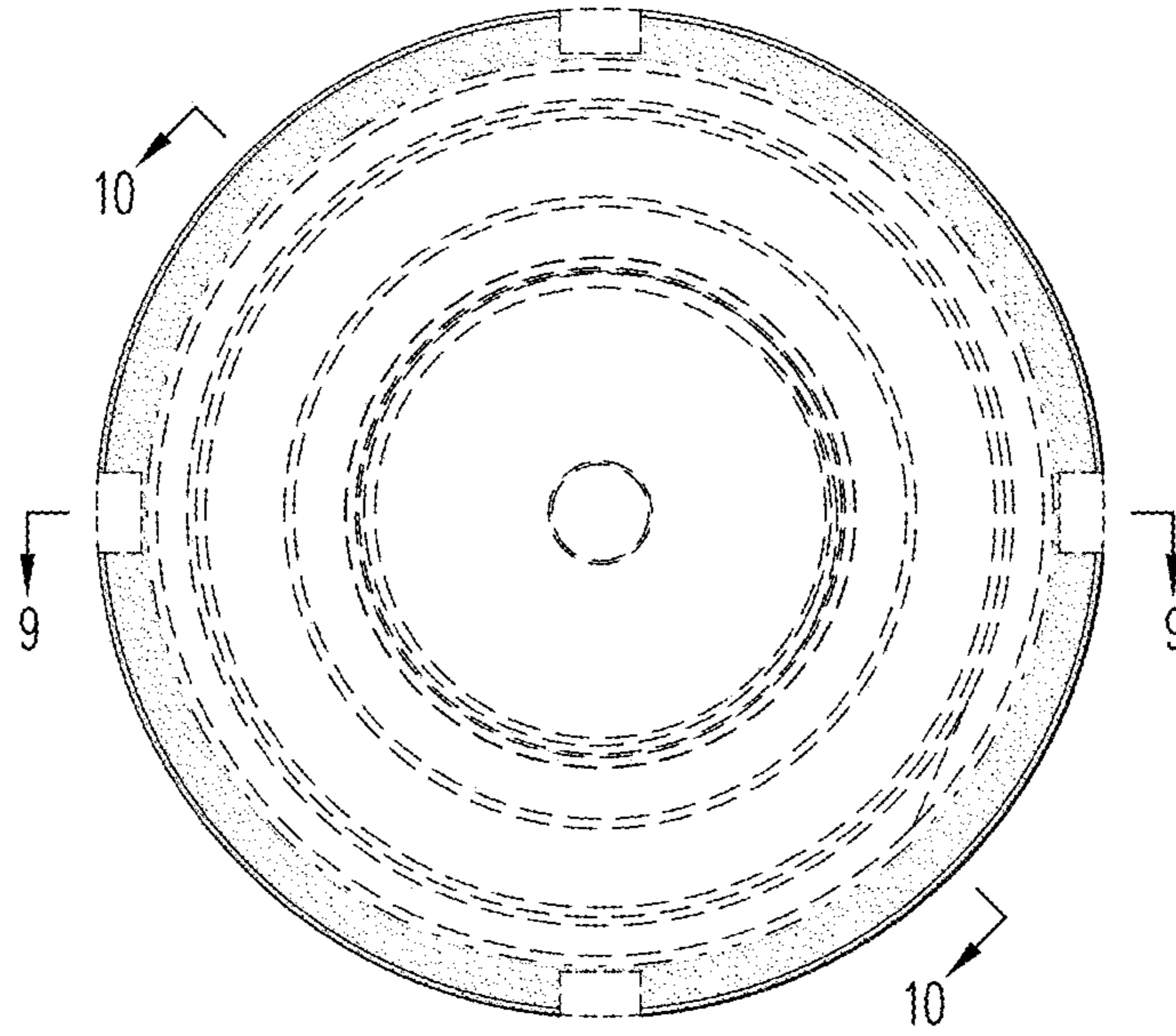
**FIG. 4**



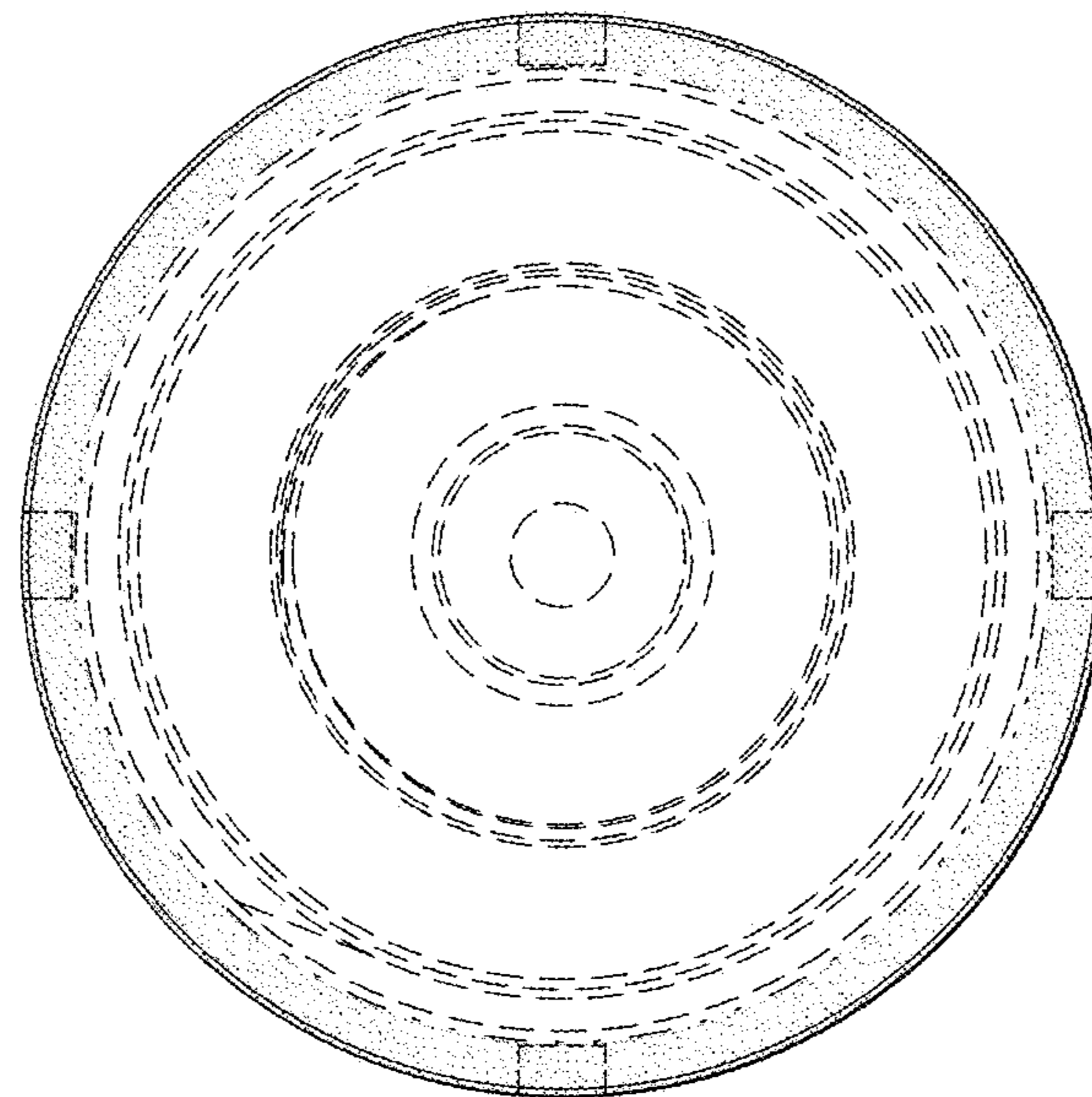
**FIG. 5**



**FIG. 6**

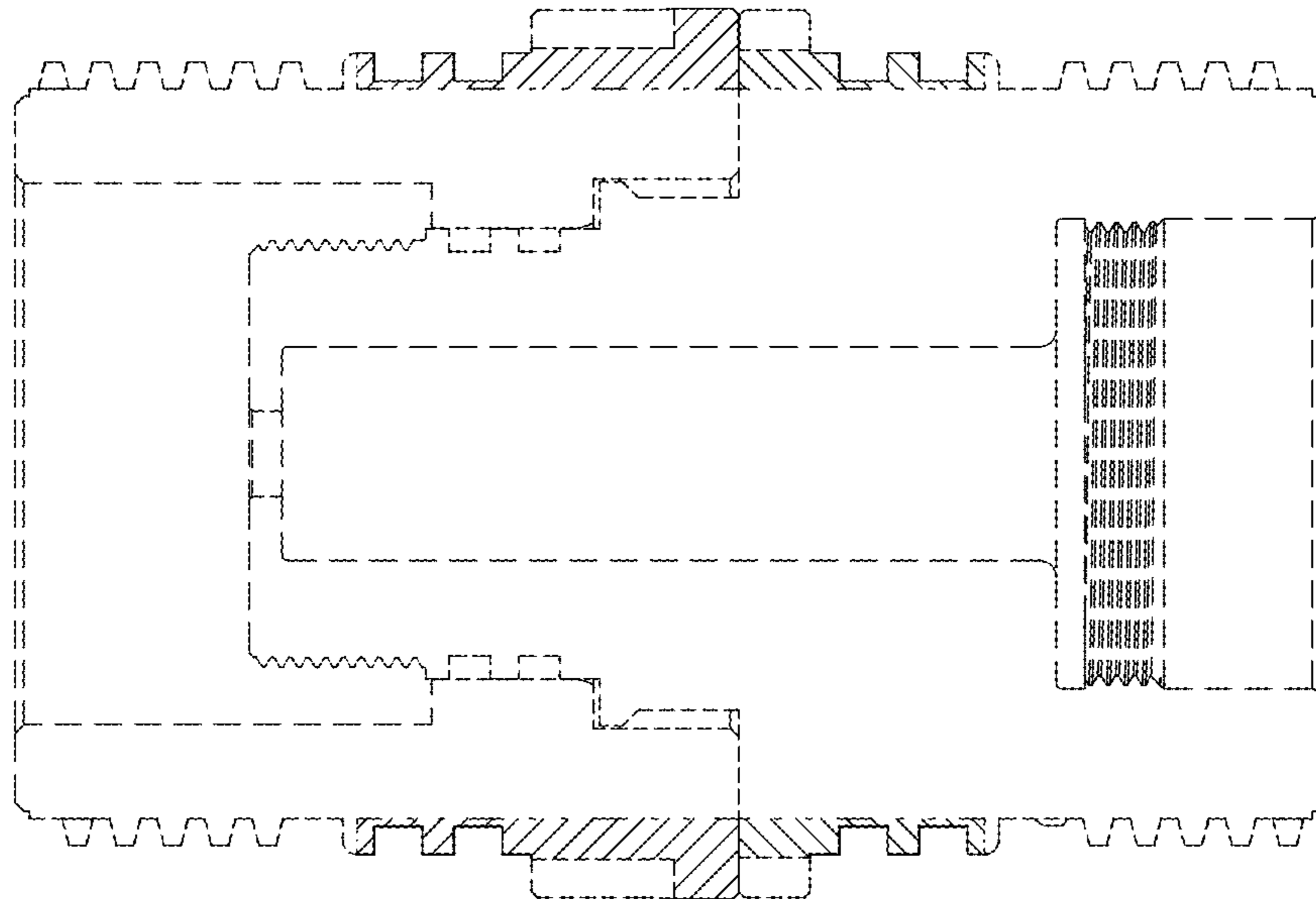


**FIG. 7**

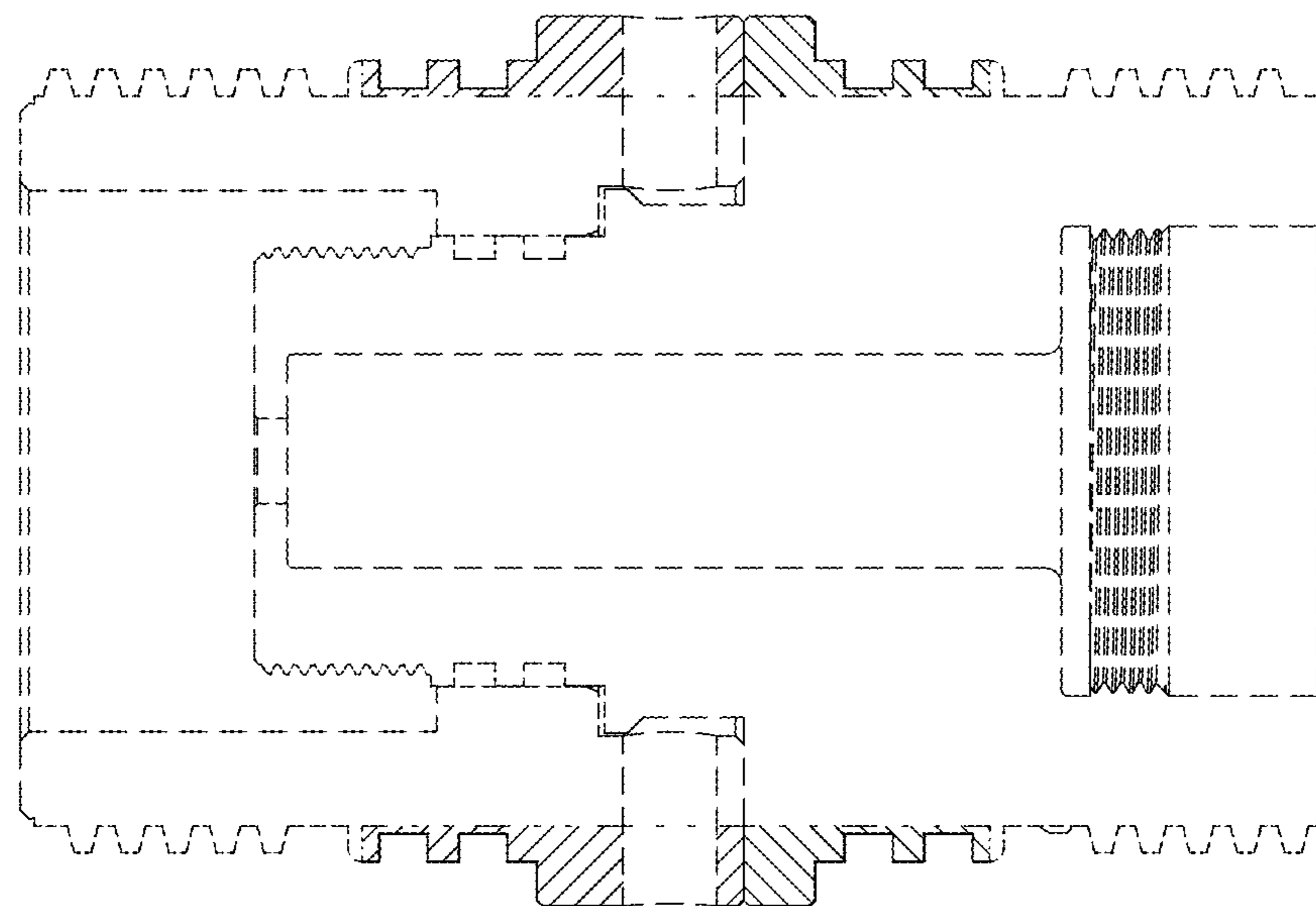


**FIG. 8**





**FIG. 9**



**FIG. 10**