



US00D922539S

(12) **United States Design Patent**  
**Bahler**

(10) **Patent No.:** **US D922,539 S**

(45) **Date of Patent:** **\*\* Jun. 15, 2021**

(54) **FAUCET HANDLE**

(71) Applicant: **DELTA FAUCET COMPANY,**  
Indianapolis, IN (US)

(72) Inventor: **Jordan Bahler,** Frankfort, IN (US)

(73) Assignee: **DELTA FAUCET COMPANY,**  
Indianapolis, IN (US)

(\*\*) Term: **15 Years**

(21) Appl. No.: **29/725,231**

(22) Filed: **Feb. 24, 2020**

(51) **LOC (13) Cl.** ..... **23-01**

(52) **U.S. Cl.**  
USPC ..... **D23/252**

(58) **Field of Classification Search**  
USPC ..... D23/238–243, 250, 252, 254; D8/300,  
D8/307–308  
See application file for complete search history.

(56) **References Cited**

**U.S. PATENT DOCUMENTS**

D484,951 S \* 1/2004 Lin ..... D23/252  
D495,782 S \* 9/2004 Lin ..... D23/252

D498,823 S \* 11/2004 Lin ..... D23/252  
D498,824 S \* 11/2004 Lin ..... D23/252  
D507,632 S \* 7/2005 Kennard ..... D23/252  
D619,872 S \* 7/2010 Singtoroj ..... D8/308  
D787,640 S \* 5/2017 Kirar ..... D23/252  
D862,195 S \* 10/2019 Dulley ..... D23/252

\* cited by examiner

*Primary Examiner* — Robert A Delehanty

(74) *Attorney, Agent, or Firm* — Nirav D. Parikh; Edgar  
A. Zarins

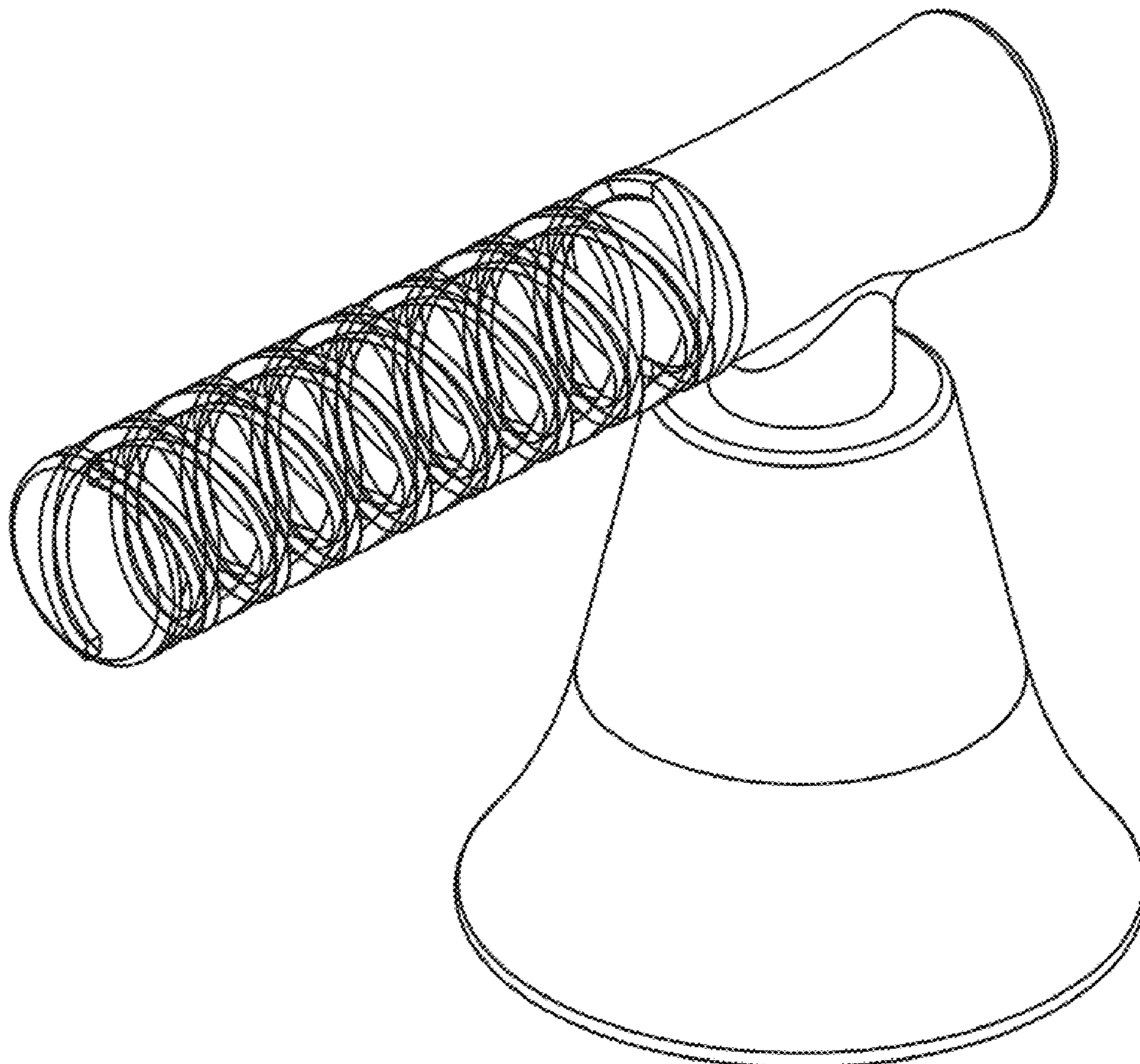
(57) **CLAIM**

The ornamental design for a faucet handle, as shown and  
described.

**DESCRIPTION**

FIG. 1 is a front perspective view of a faucet handle showing  
my new design;  
FIG. 2 is a rear perspective view thereof;  
FIG. 3 is a front elevational view thereof;  
FIG. 4 is a left side view thereof;  
FIG. 5 is a rear view thereof;  
FIG. 6 is a right side view thereof; and,  
FIG. 7 is a top plan view thereof.

**1 Claim, 4 Drawing Sheets**



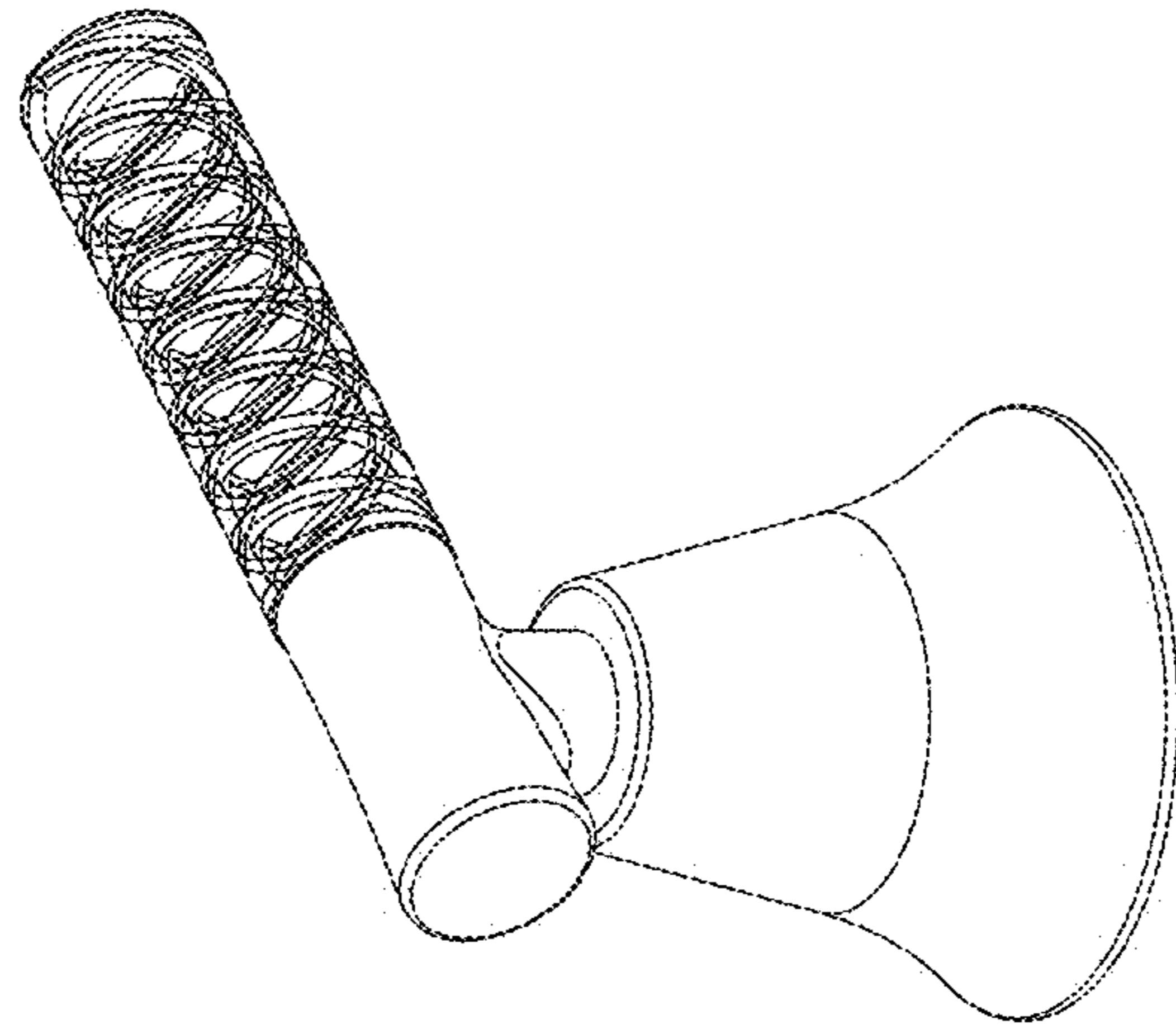


Fig. 2

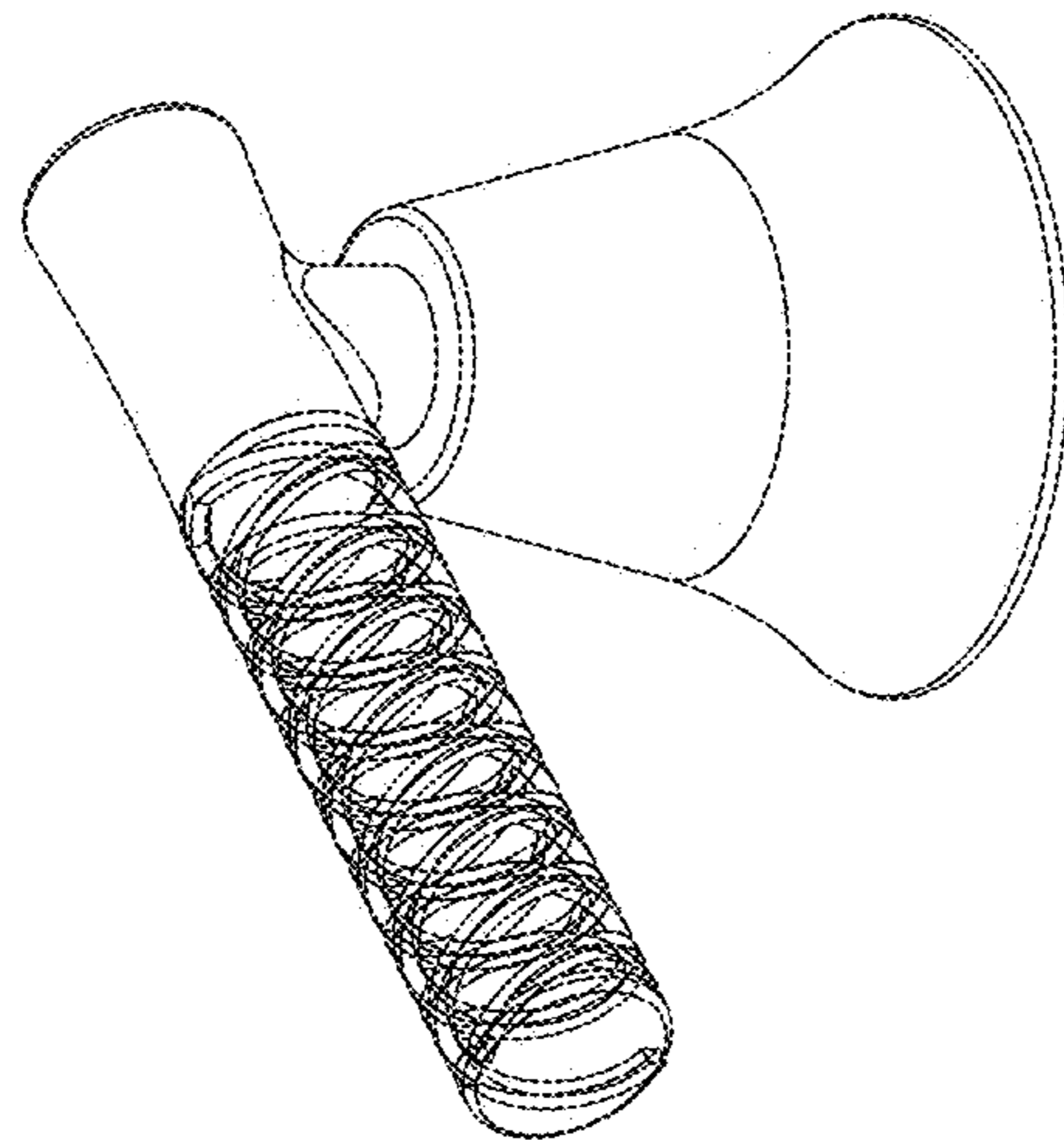


Fig. 1

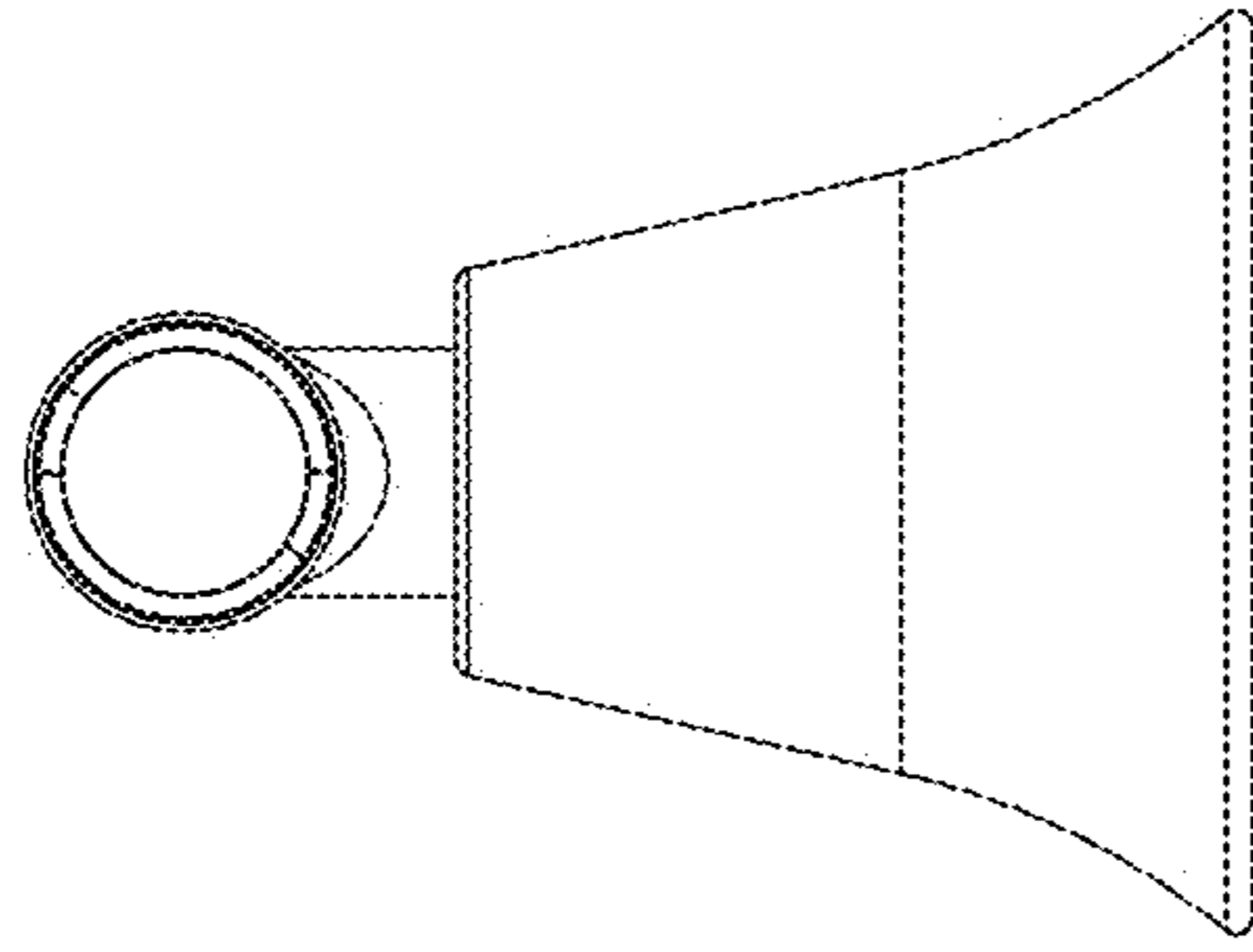


Fig. 4

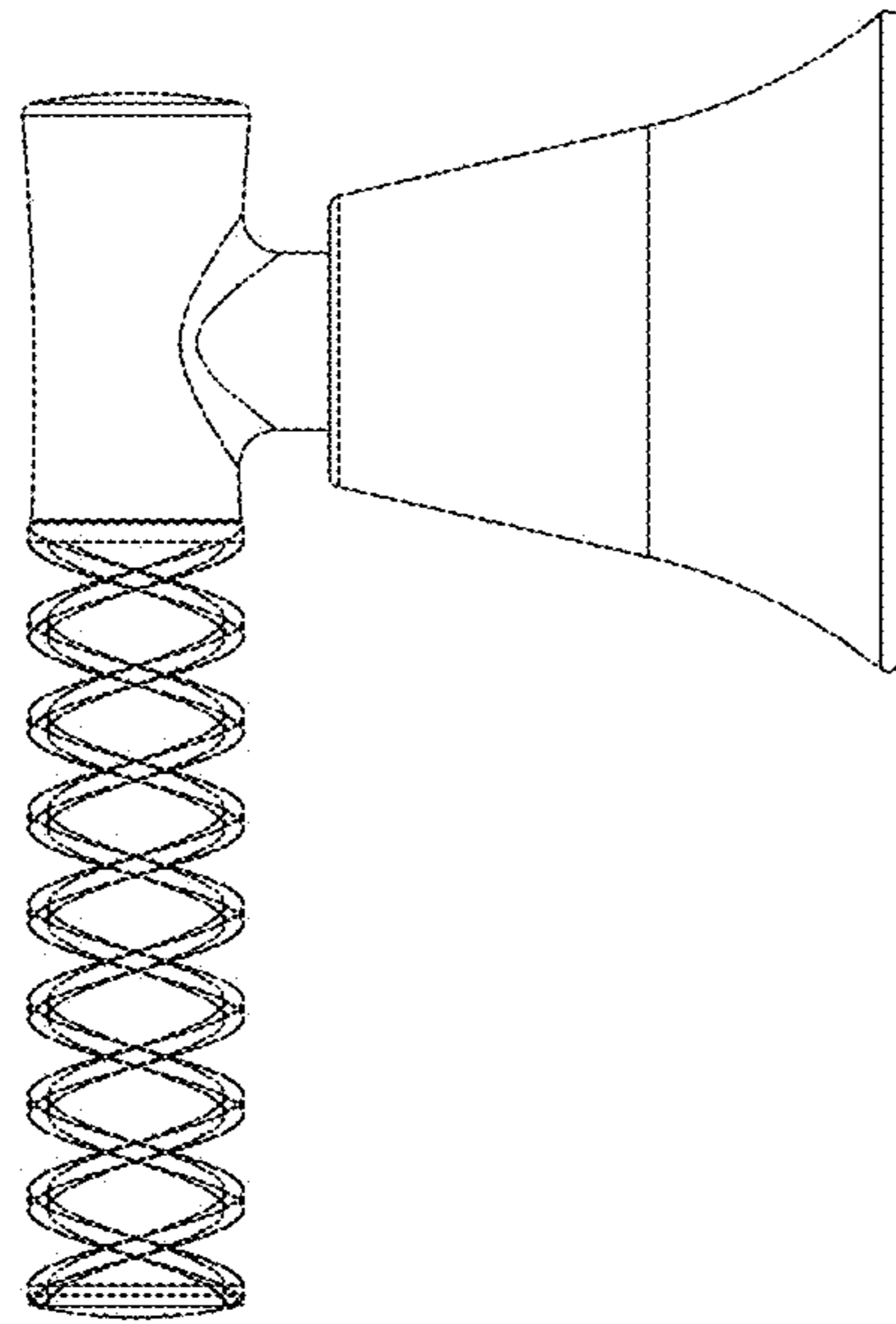


Fig. 3

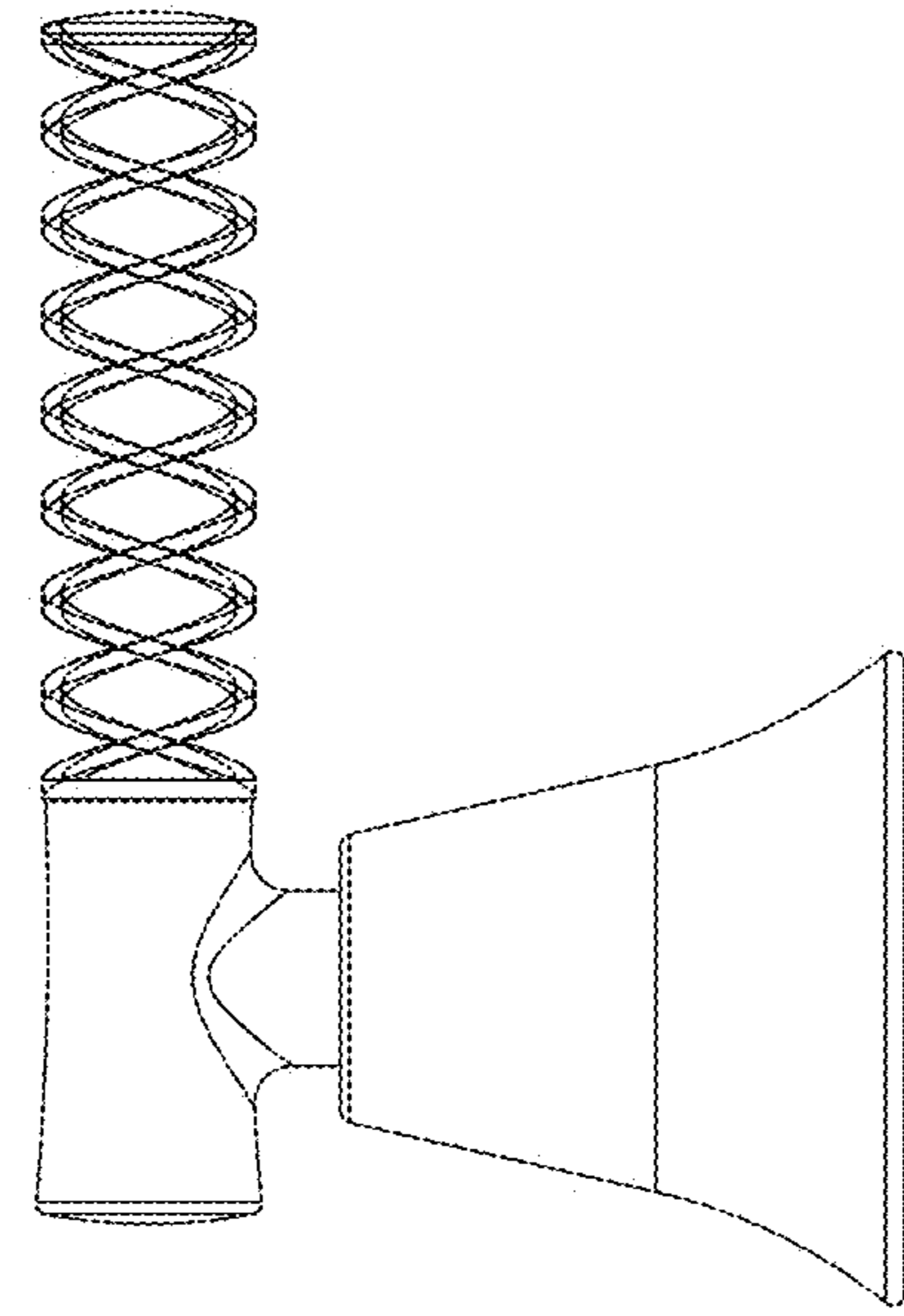


Fig. 6

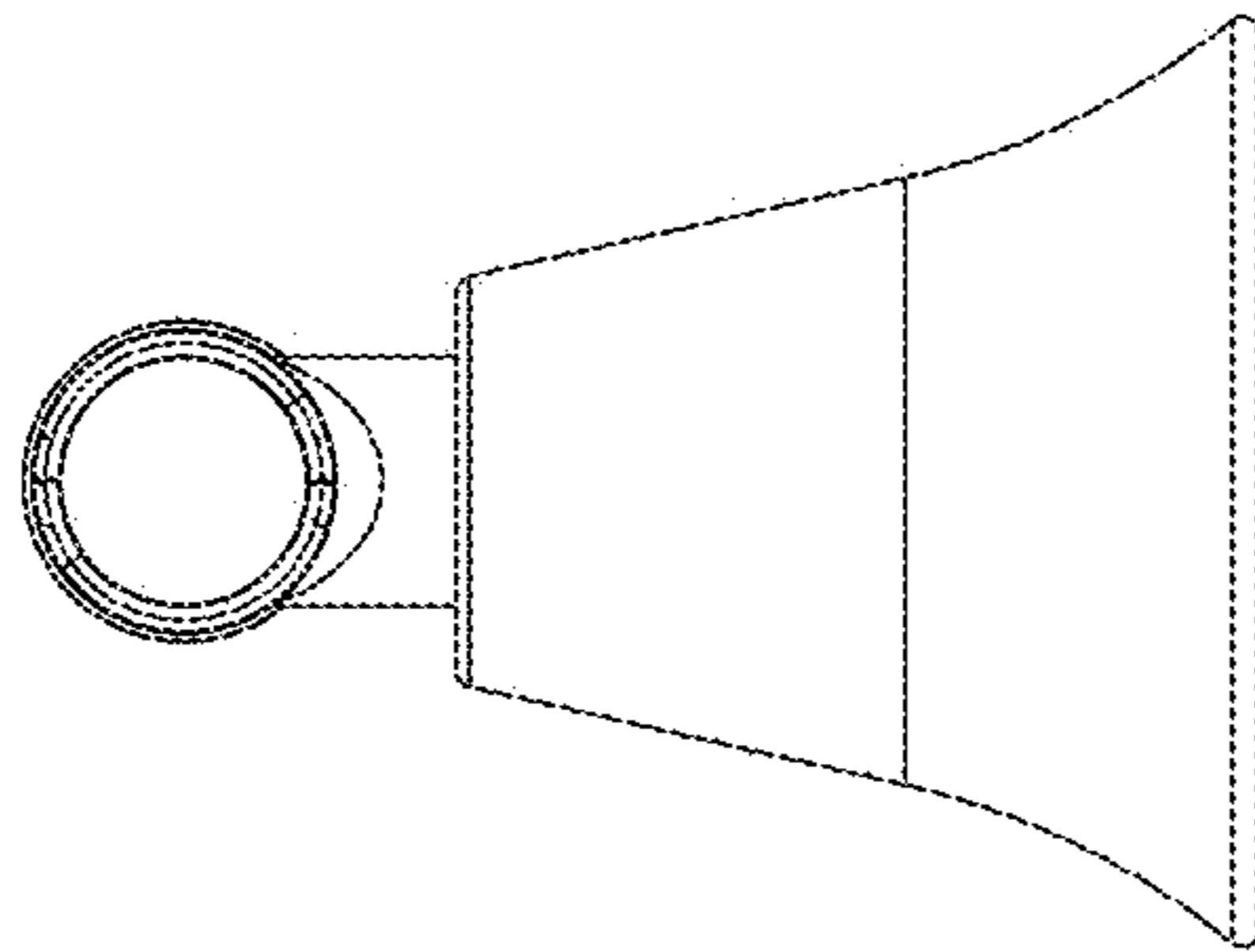


Fig. 5

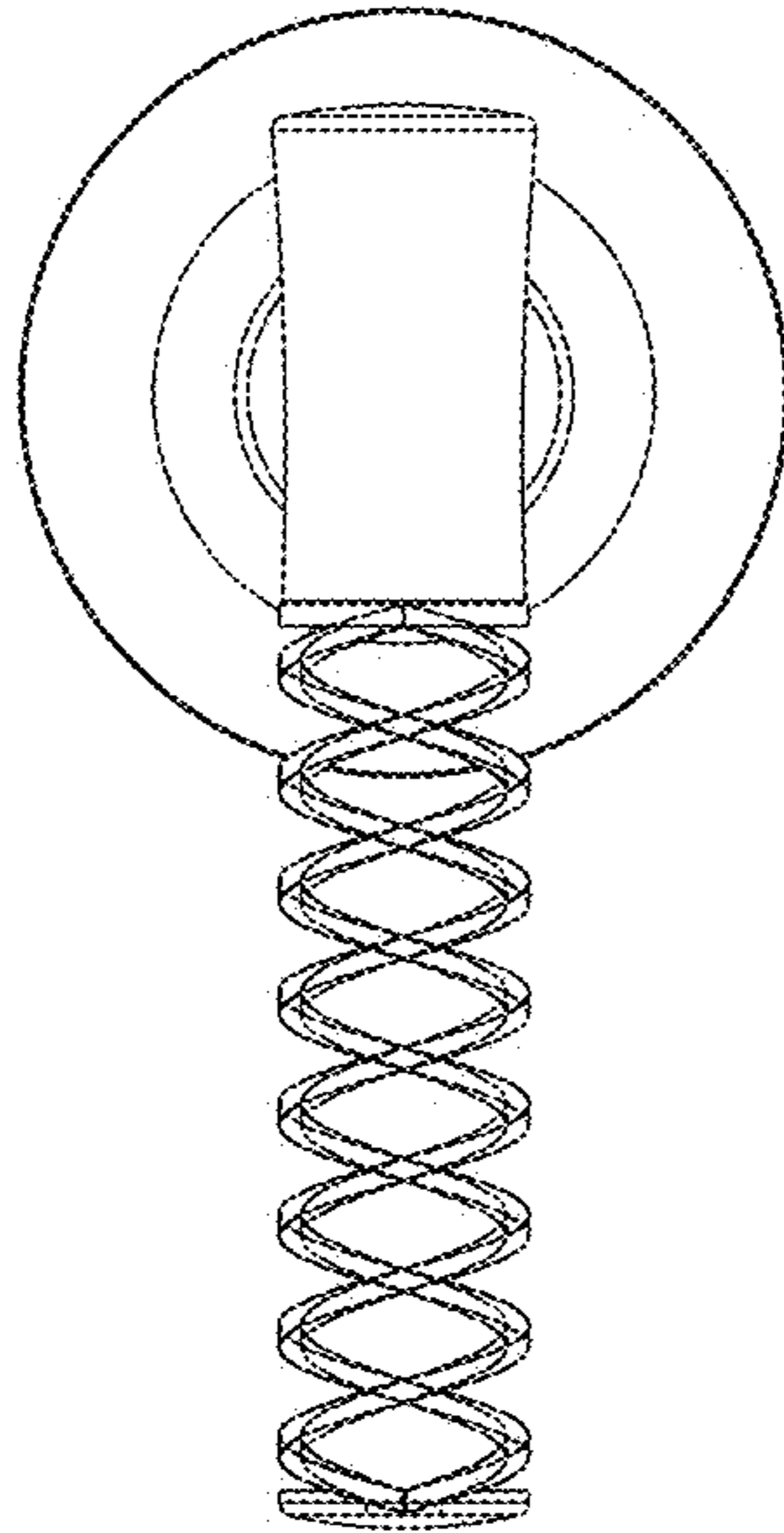


Fig. 7