



US00D922538S

(12) **United States Design Patent** (10) **Patent No.:** **US D922,538 S**  
**Park** (45) **Date of Patent:** **\*\* Jun. 15, 2021**

(54) **FAUCET HANDLE**

D859,597 S \* 9/2019 Eads ..... D23/252  
D868,943 S \* 12/2019 Fritz ..... D23/252  
D879,253 S \* 3/2020 Lazarini ..... D23/252

(71) Applicant: **DELTA FAUCET COMPANY,**  
Indianapolis, IN (US)

\* cited by examiner

(72) Inventor: **Maris Park,** McCordsville, IN (US)

*Primary Examiner* — Robert A Delehanty

(73) Assignee: **DELTA FAUCET COMPANY,**  
Indianapolis, IN (US)

(74) *Attorney, Agent, or Firm* — Nirav D. Parikh; Edgar A. Zarins

(\*\*) Term: **15 Years**

(57) **CLAIM**

(21) Appl. No.: **29/719,533**

The ornamental design for a faucet handle, as shown and described.

(22) Filed: **Jan. 6, 2020**

(51) **LOC (13) Cl.** ..... **23-01**

(52) **U.S. Cl.**  
USPC ..... **D23/252**

**DESCRIPTION**

(58) **Field of Classification Search**  
USPC ..... D23/238–243, 250, 252, 254; D8/300,  
D8/307  
See application file for complete search history.

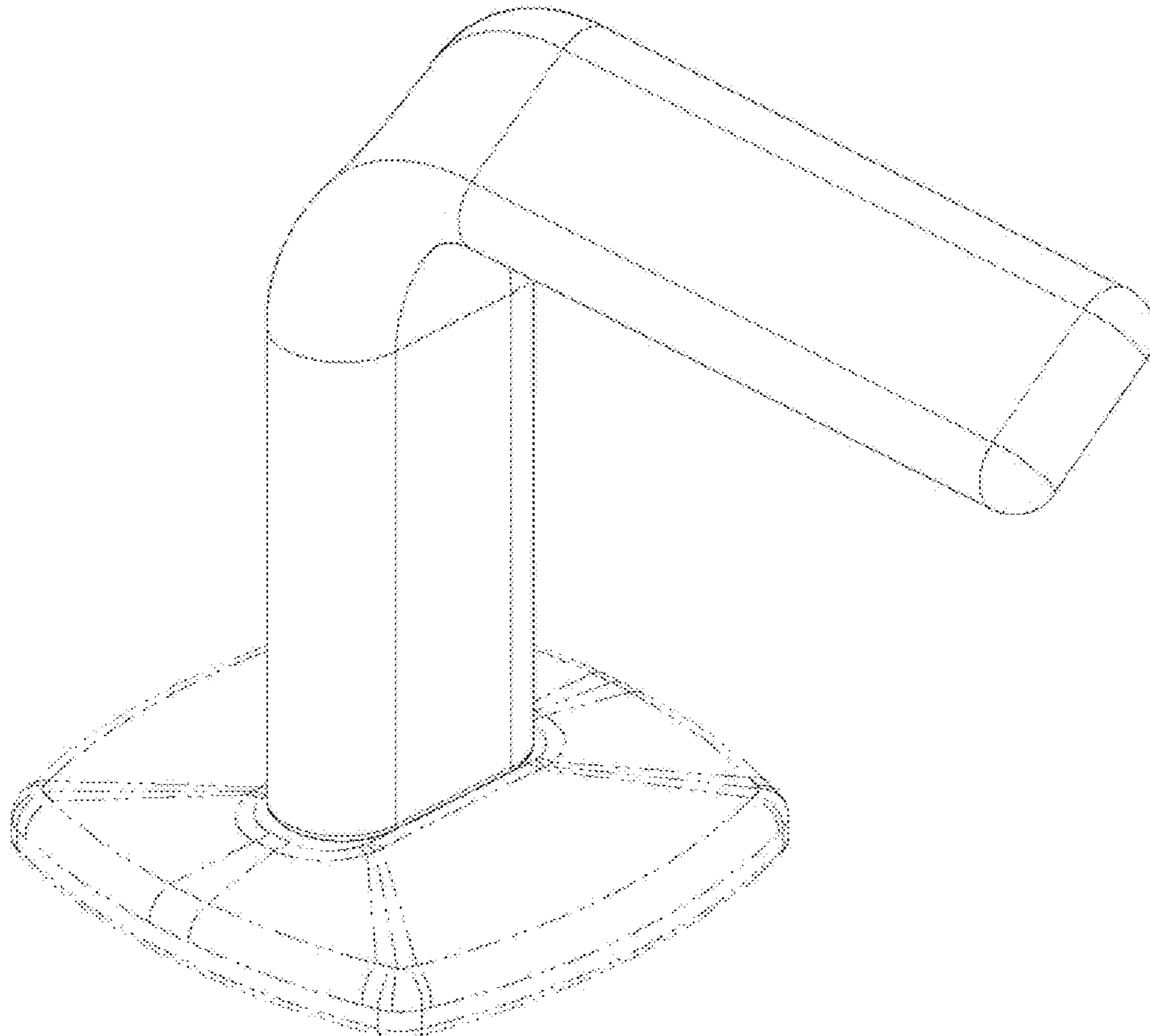
FIG. 1 is a front perspective view of a faucet handle showing my new design;  
FIG. 2 is a rear perspective view thereof;  
FIG. 3 is a front elevational view thereof;  
FIG. 4 is a left side view thereof;  
FIG. 5 is a rear view thereof;  
FIG. 6 is a right side view thereof; and,  
FIG. 7 is a top plan view thereof.

(56) **References Cited**

**U.S. PATENT DOCUMENTS**

D522,634 S \* 6/2006 Hoernig ..... D23/252  
D735,562 S \* 8/2015 Cahill ..... D8/363

**1 Claim, 4 Drawing Sheets**



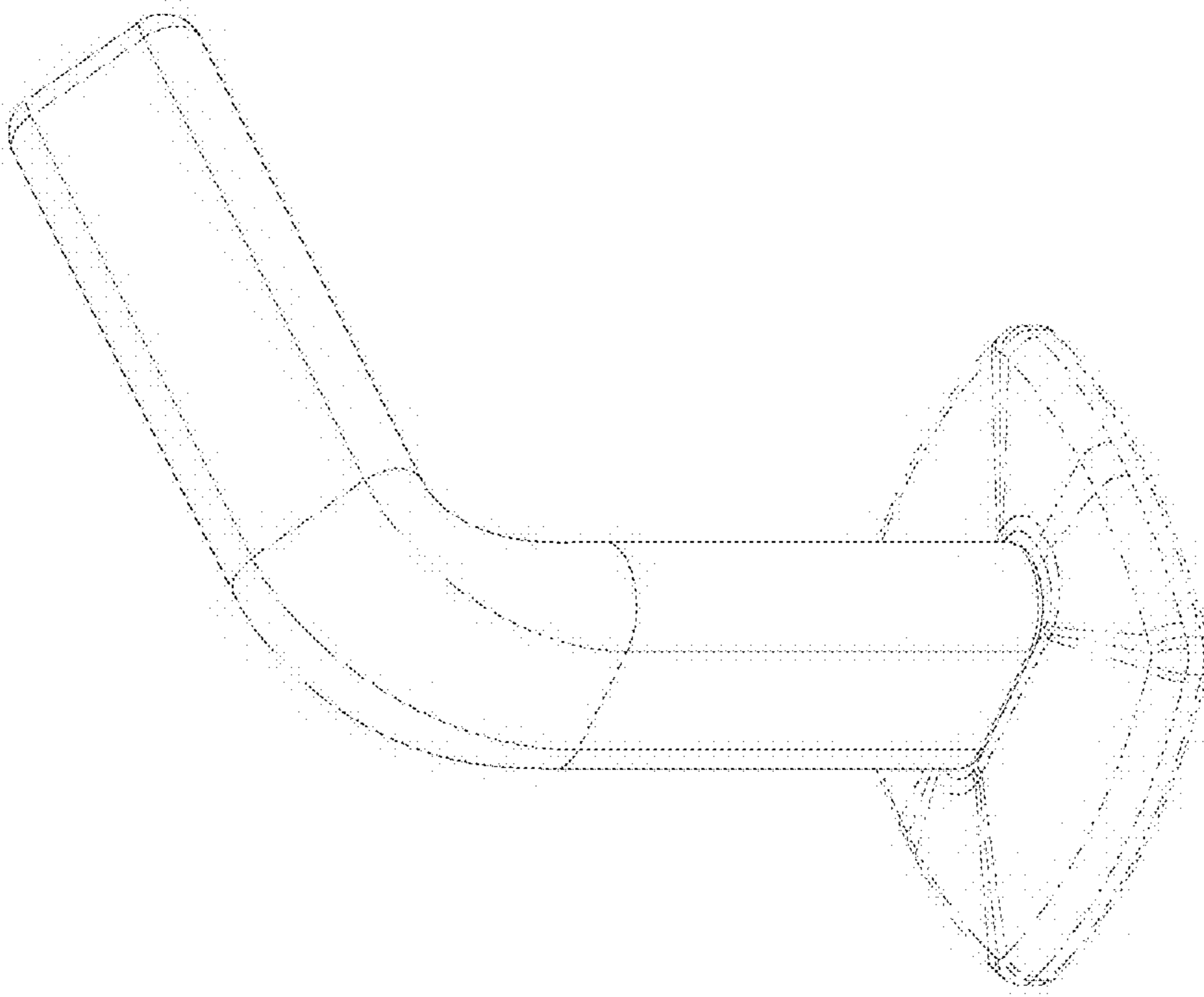


FIG. 2

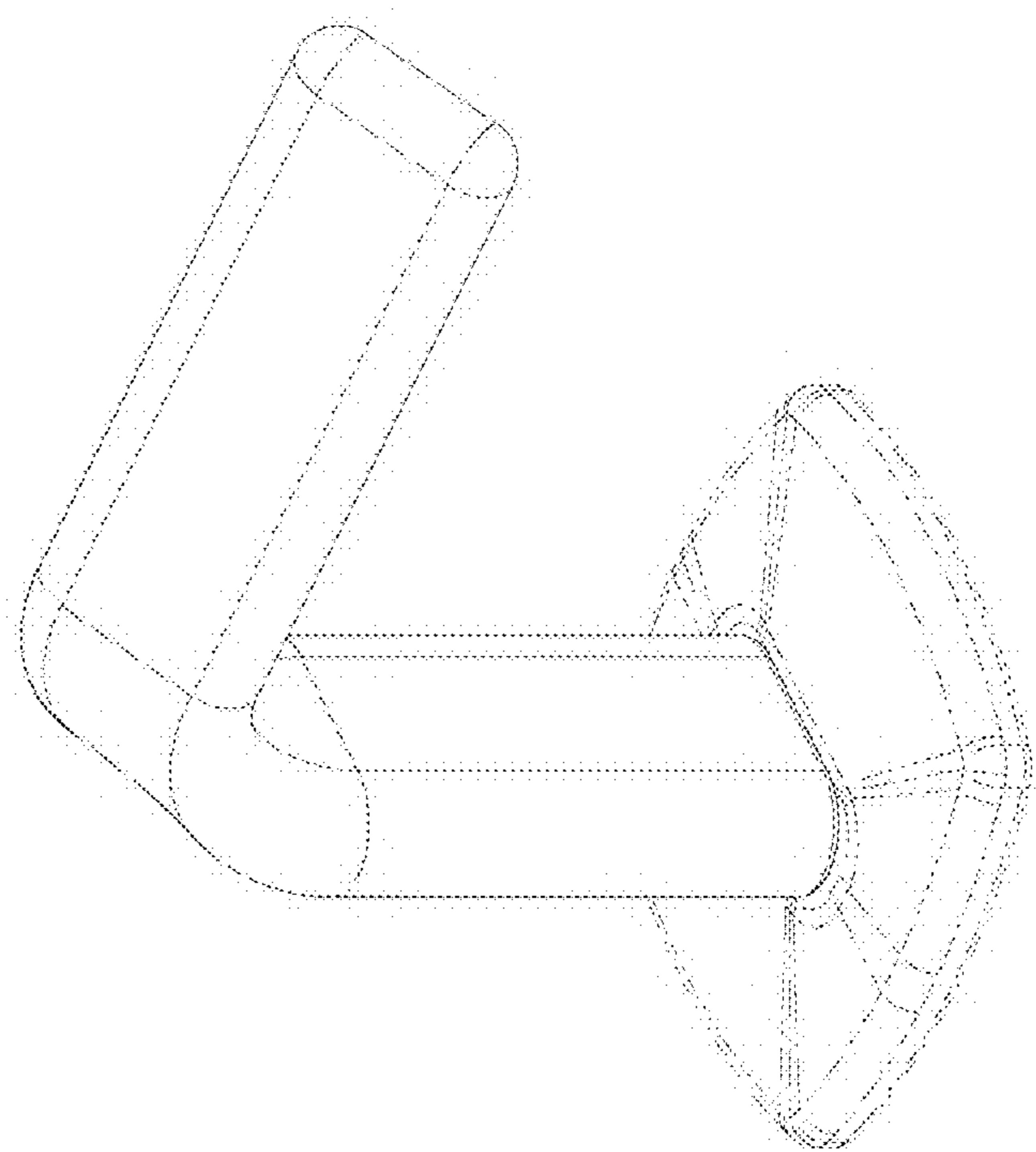


FIG. 3

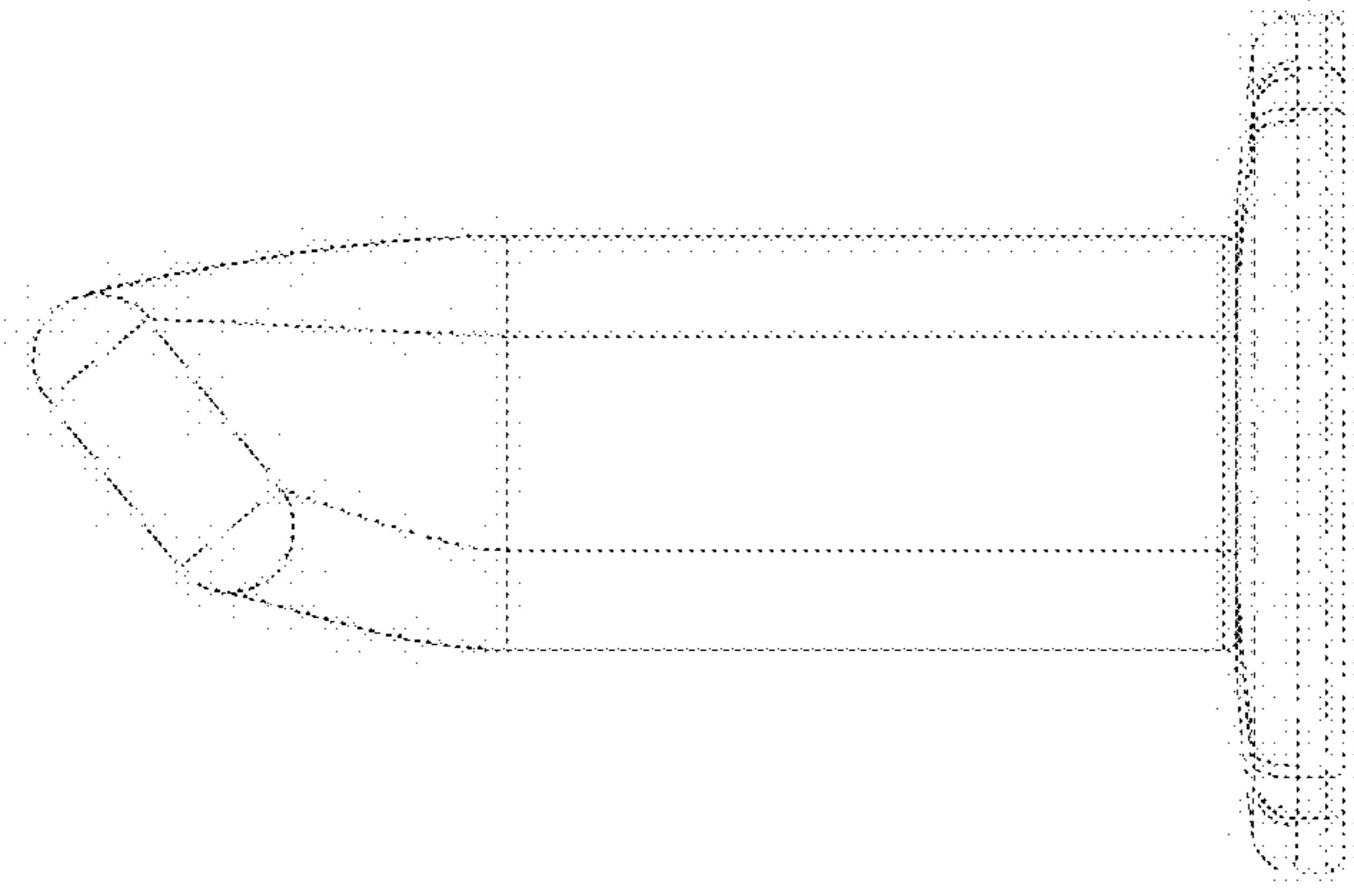


FIG. 4

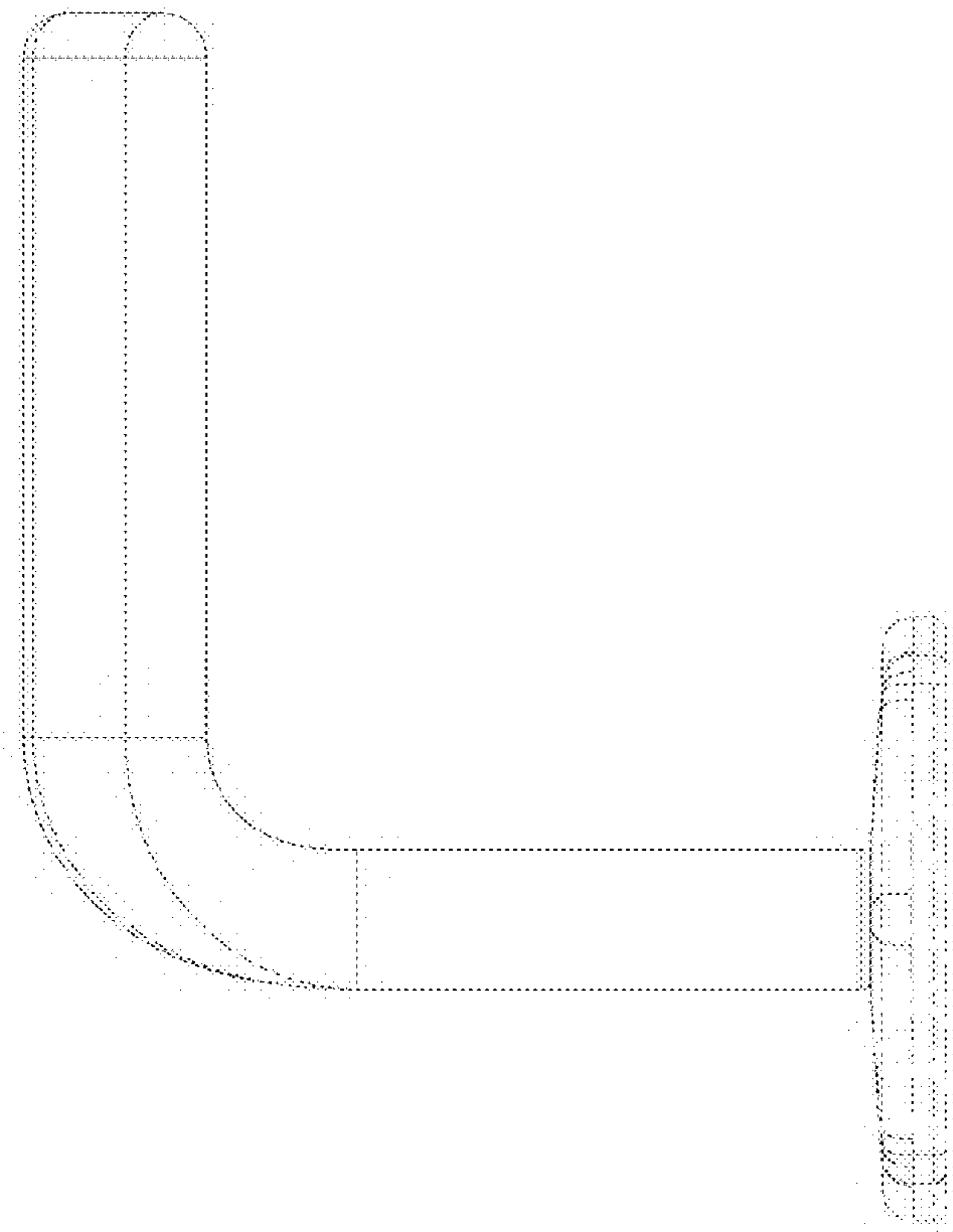


FIG. 3

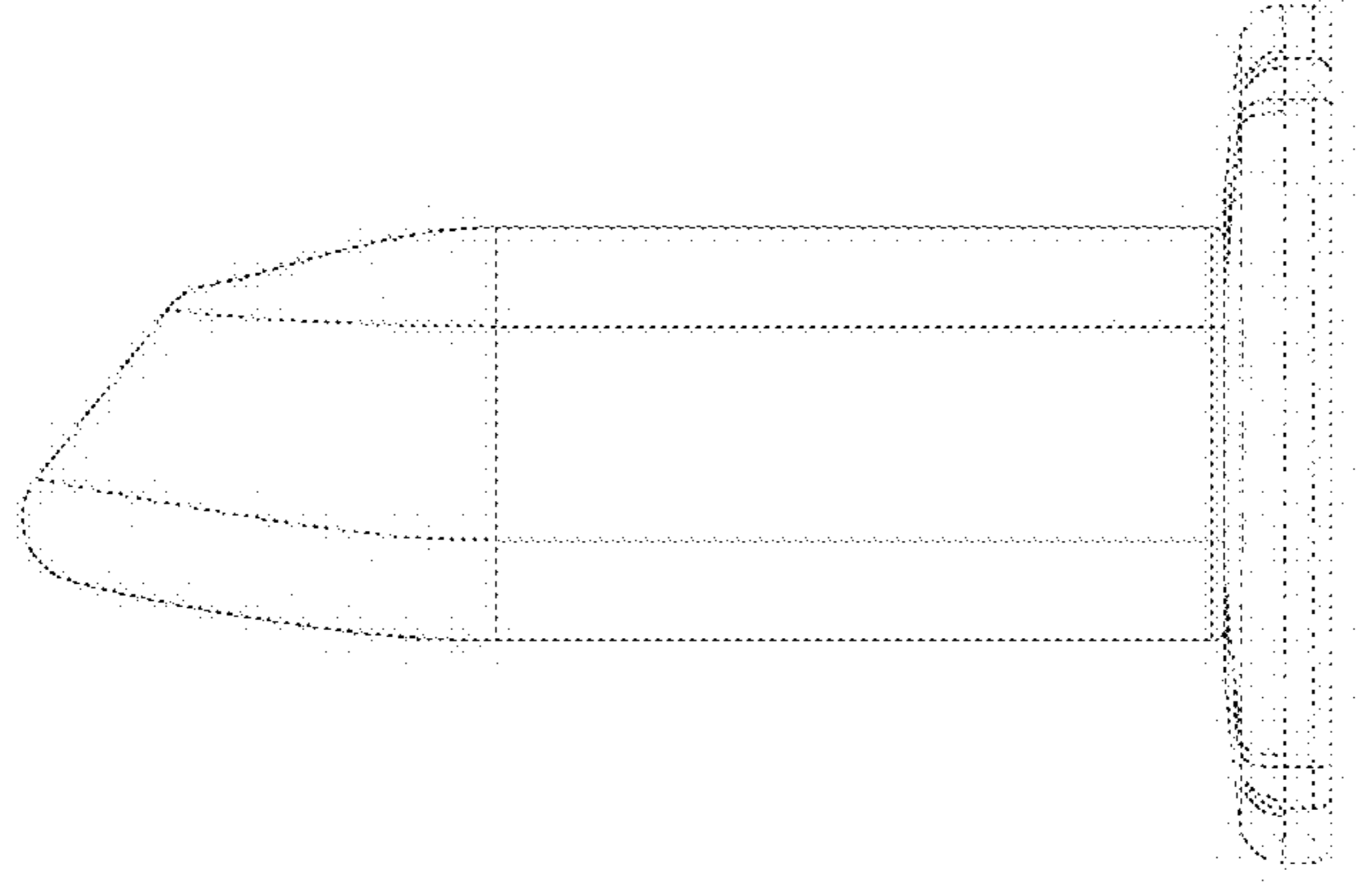


FIG. 6

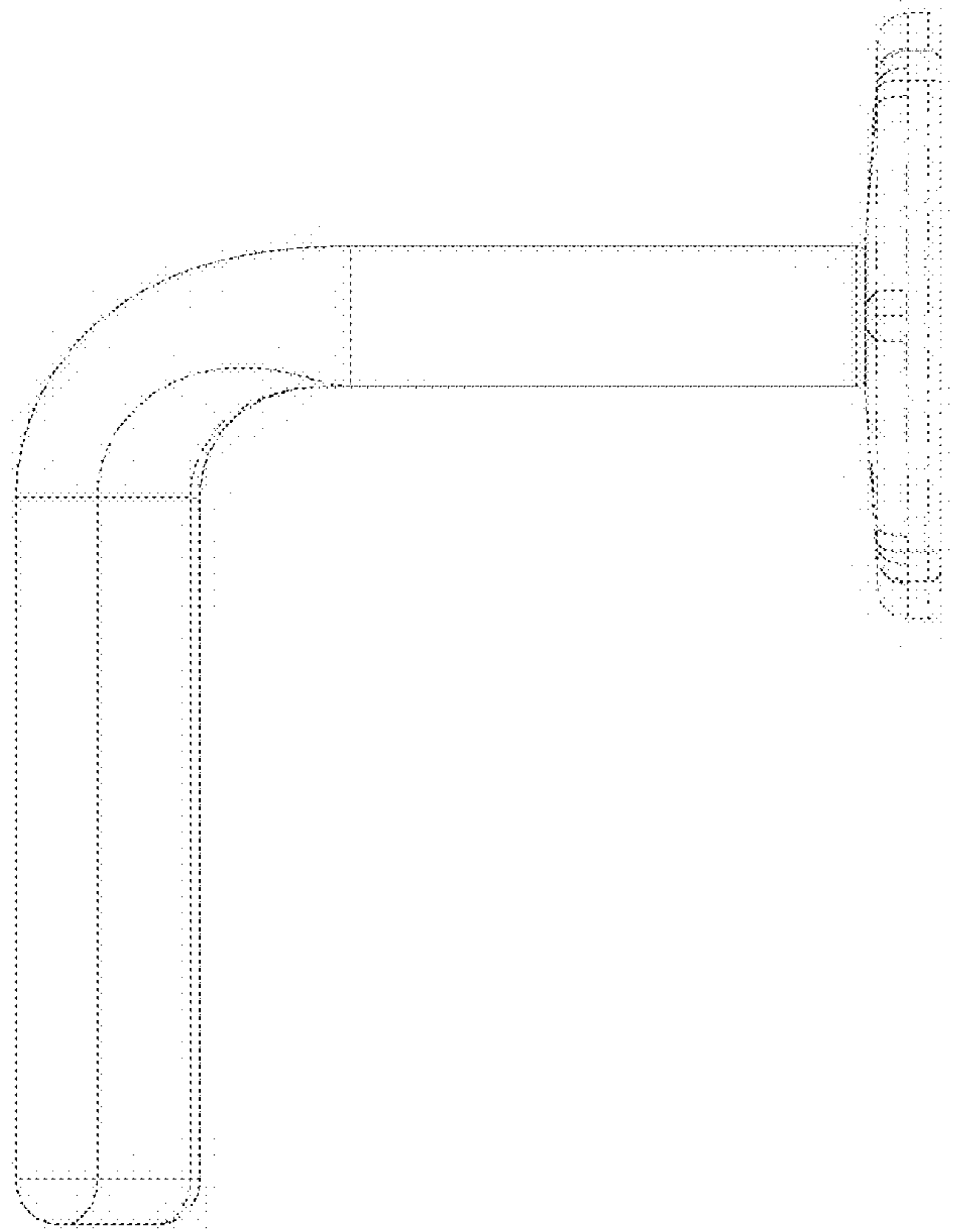


FIG. 5

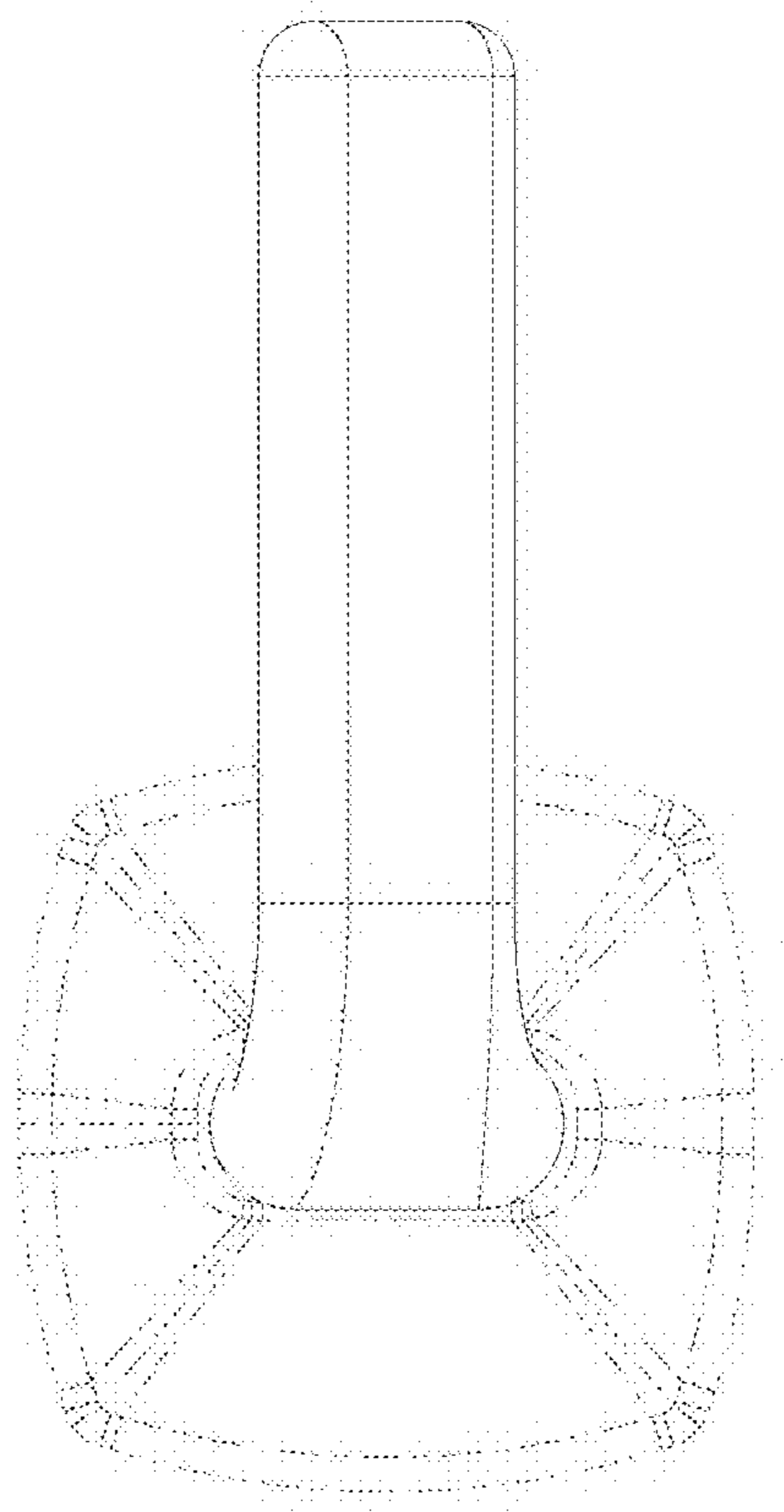


FIG. 7