



US00D922536S

(12) **United States Design Patent** (10) **Patent No.:** **US D922,536 S**
Ao (45) **Date of Patent:** **** Jun. 15, 2021**

(54) **FAUCET HANDLE**
(71) Applicant: **Qilan Ao**, Guangzhou (CN)
(72) Inventor: **Qilan Ao**, Guangzhou (CN)
(**) Term: **15 Years**
(21) Appl. No.: **29/699,862**

(22) Filed: **Jul. 30, 2019**
(51) **LOC (13) Cl.** **23-01**
(52) **U.S. Cl.**
USPC **D23/252**
(58) **Field of Classification Search**
USPC D23/238-243, 249-250, 252, 254
CPC E03C 1/042
See application file for complete search history.

(56) **References Cited**
U.S. PATENT DOCUMENTS
D738,468 S * 9/2015 Bahler D23/252
D828,508 S * 9/2018 Fritz D23/238
D872,235 S * 1/2020 Garland D23/238
D913,433 S * 3/2021 Ao D23/238
D913,450 S * 3/2021 Bahler D23/242

* cited by examiner

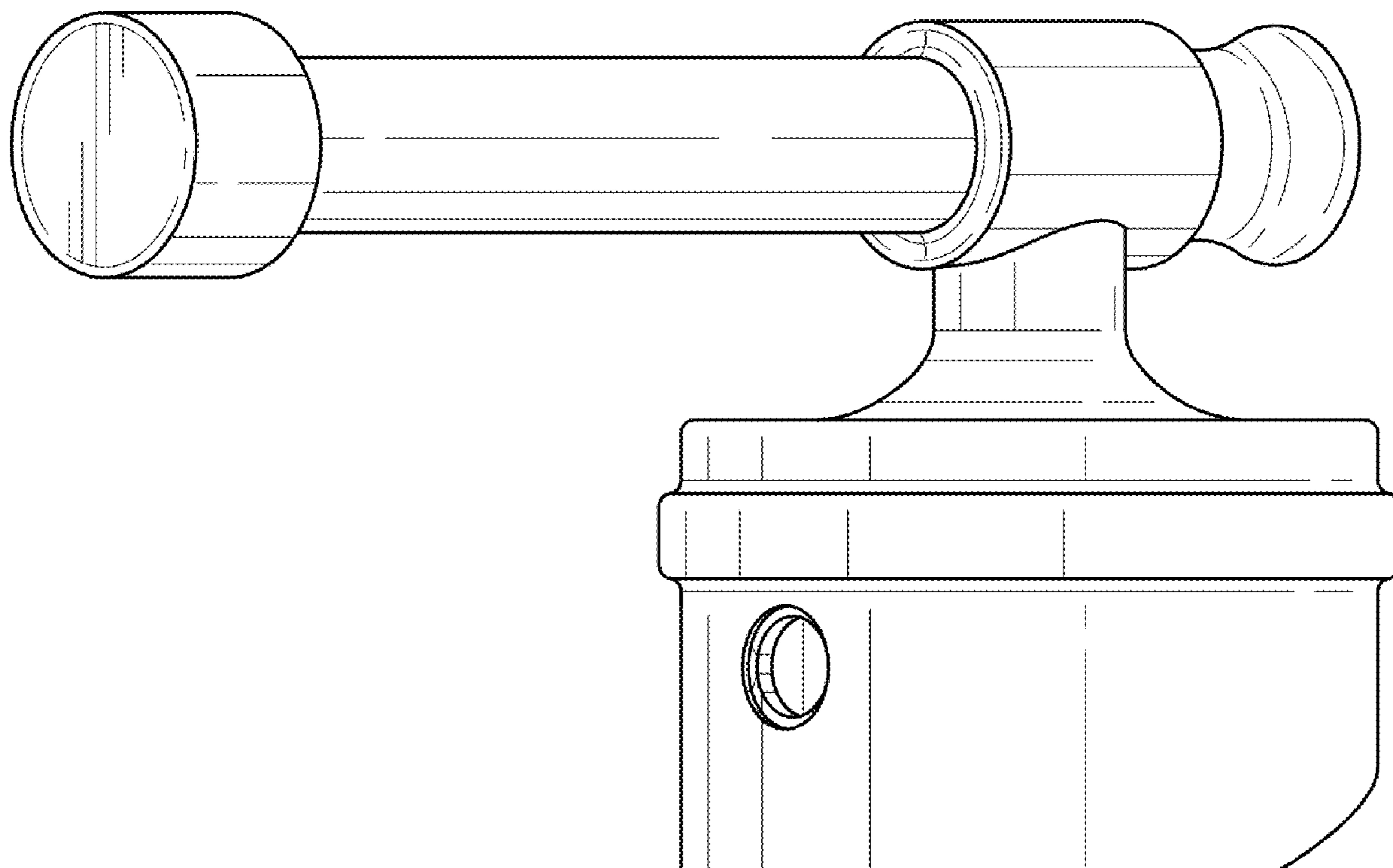
Primary Examiner — Robert A Delehanty
(74) *Attorney, Agent, or Firm* — Runit Ranjit Kanakia

(57) **CLAIM**
I claim the ornamental design for a faucet handle, as shown and described.

DESCRIPTION

FIG. 1 is a Perspective view of a faucet handle showing my new design;
FIG. 2 is other Perspective view of the faucet handle as shown in FIG. 1;
FIG. 3 is a Front view of the faucet handle as shown in FIG. 1;
FIG. 4 is a Back view of the faucet handle as shown in FIG. 1;
FIG. 5 is a Right-side view of the faucet handle as shown in FIG. 1;
FIG. 6 is a left-side view of the faucet handle as shown in FIG. 1;
FIG. 7 is a Top view of the faucet handle as shown in FIG. 1; and,
FIG. 8 is Bottom view of the faucet handle as shown in FIG. 1.
The broken lines are only for environmental purposes and form no part of the claimed design.

1 Claim, 8 Drawing Sheets



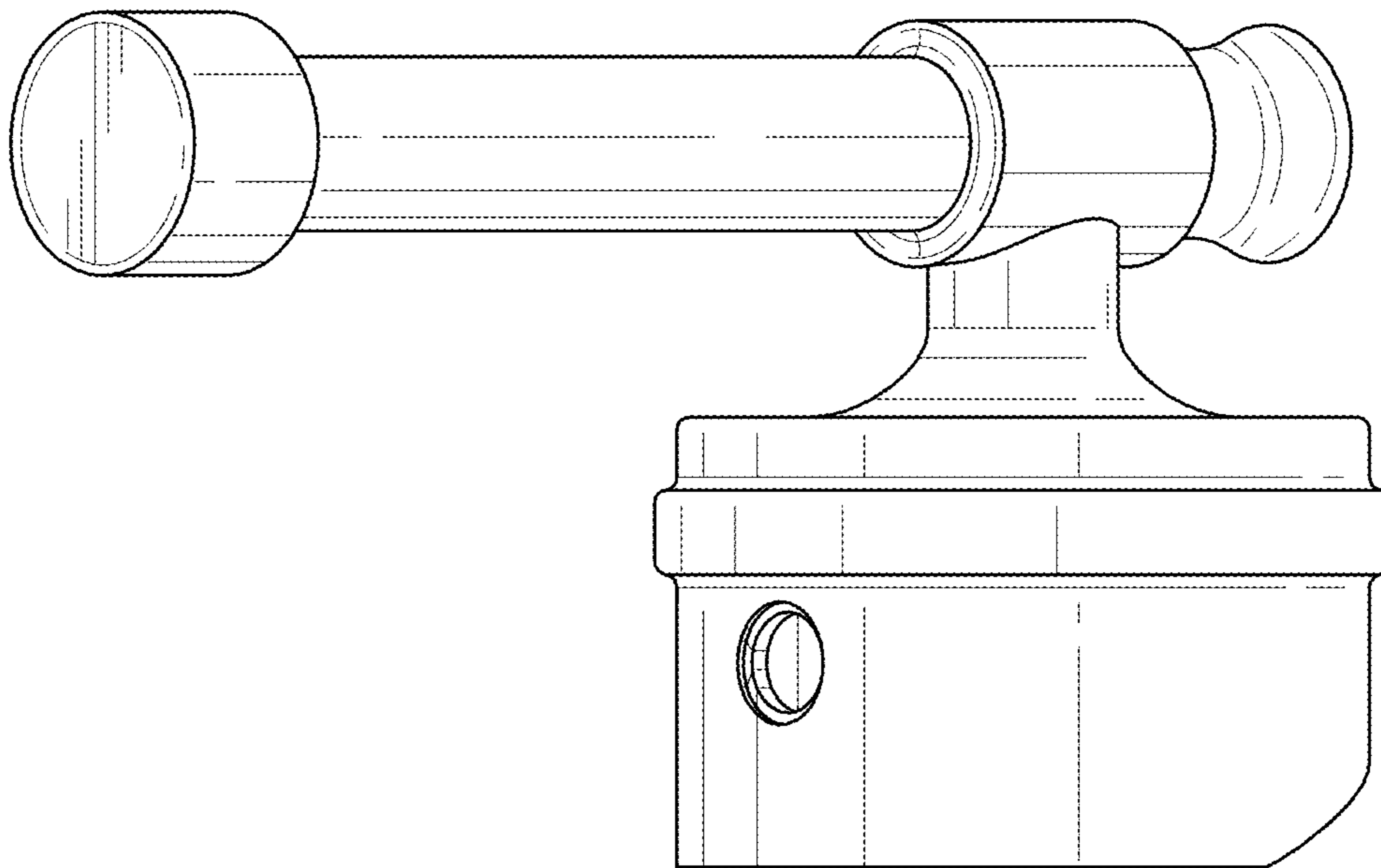


FIG. 1

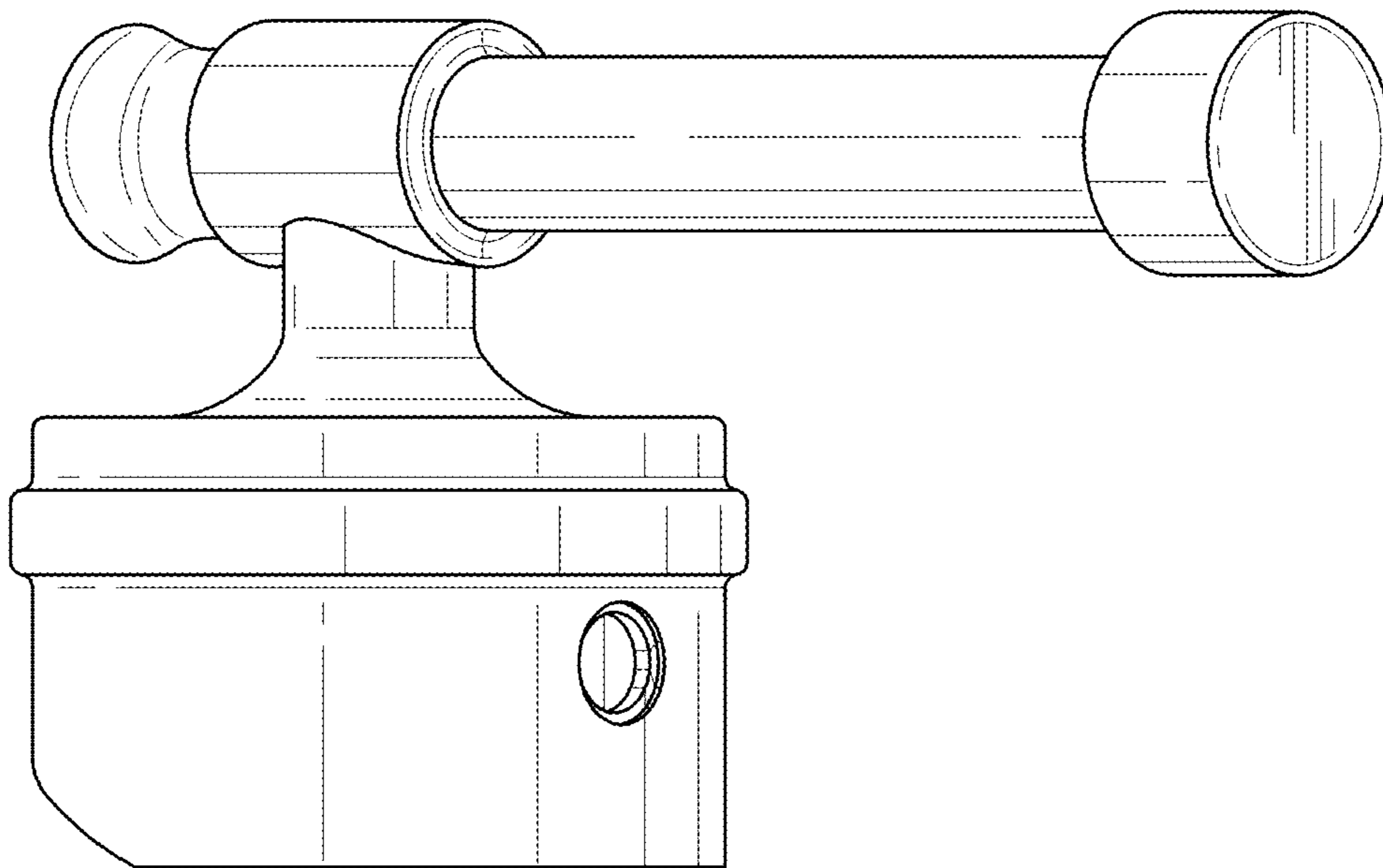


FIG. 2

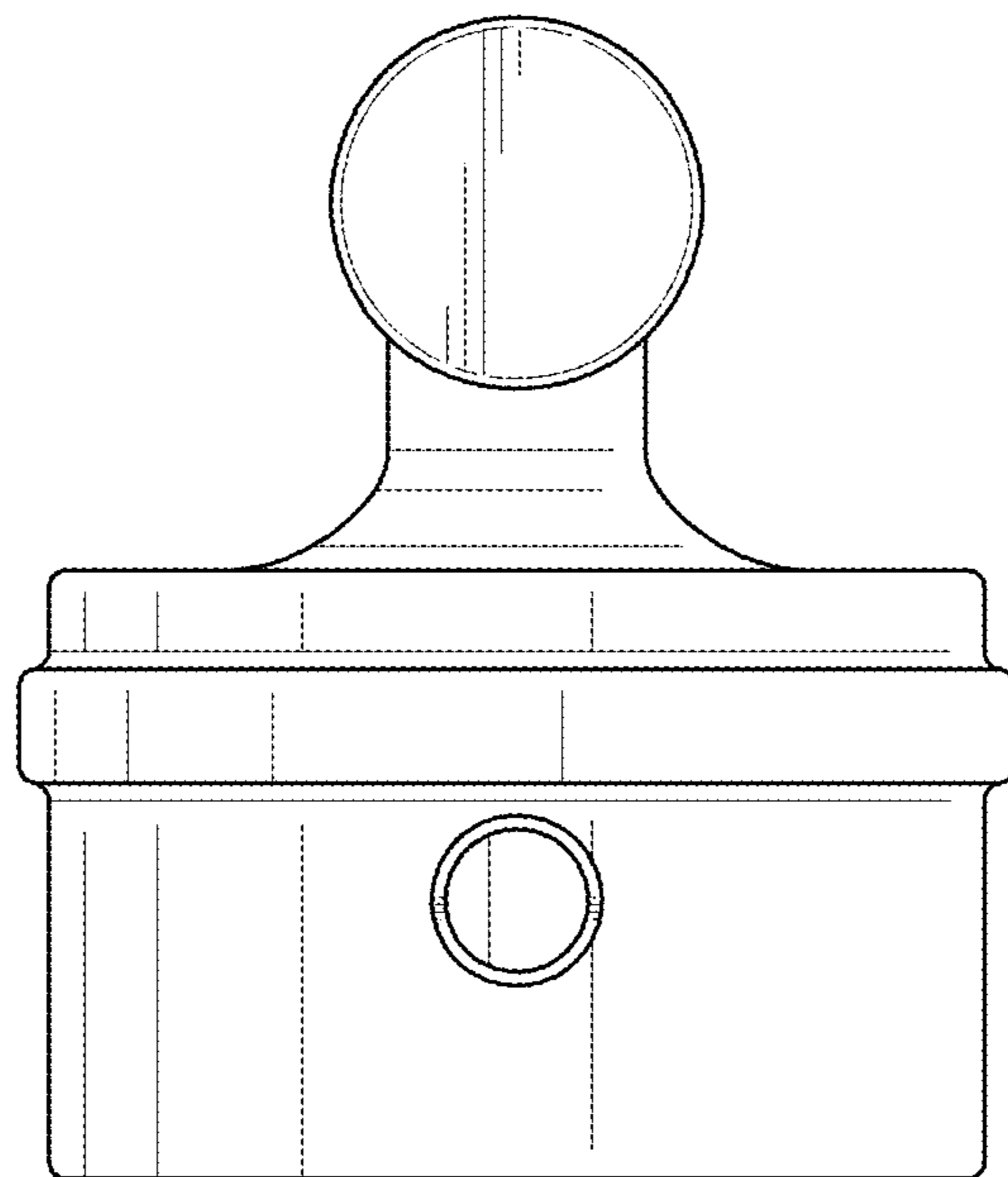


FIG. 3

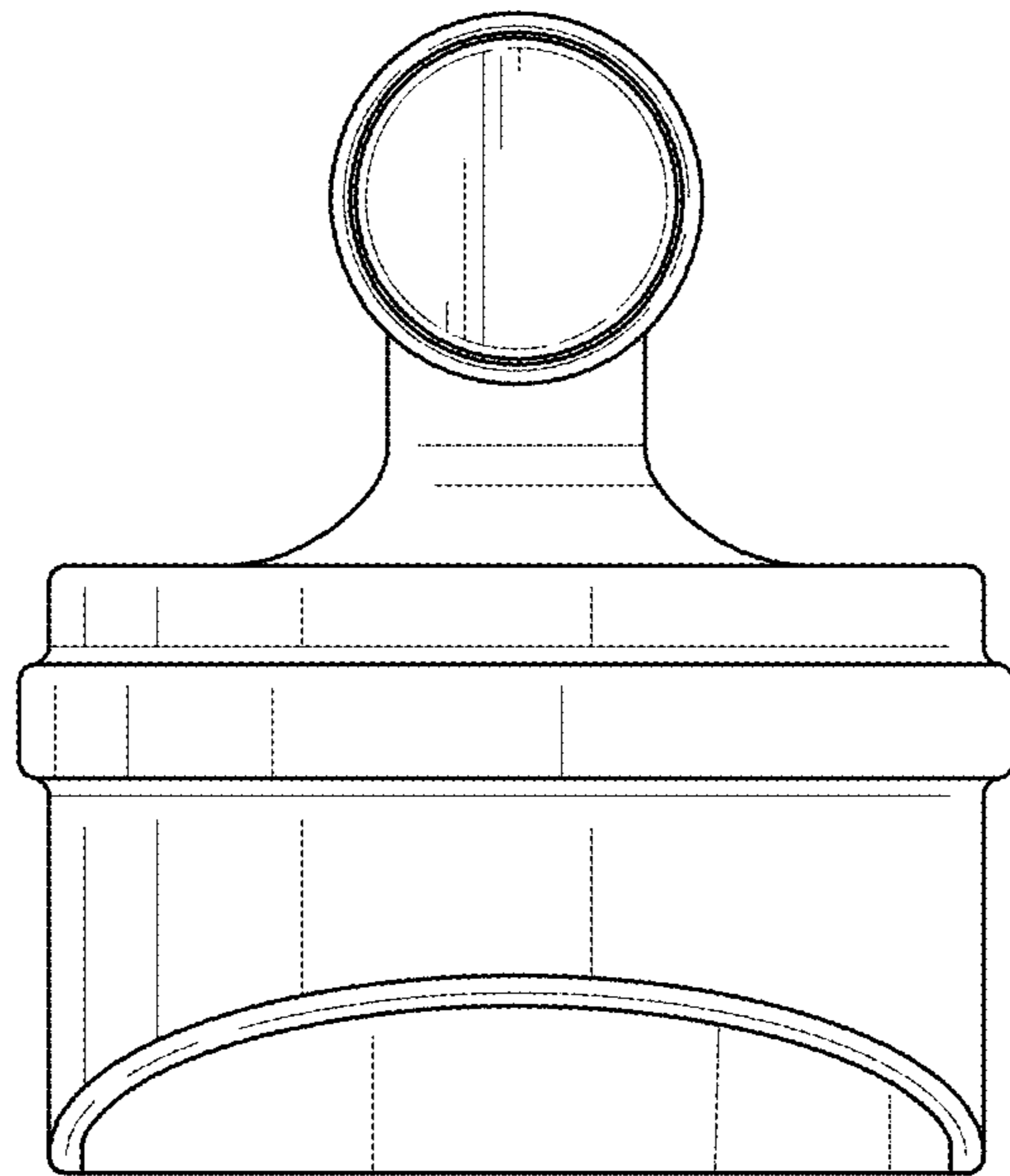


FIG. 4

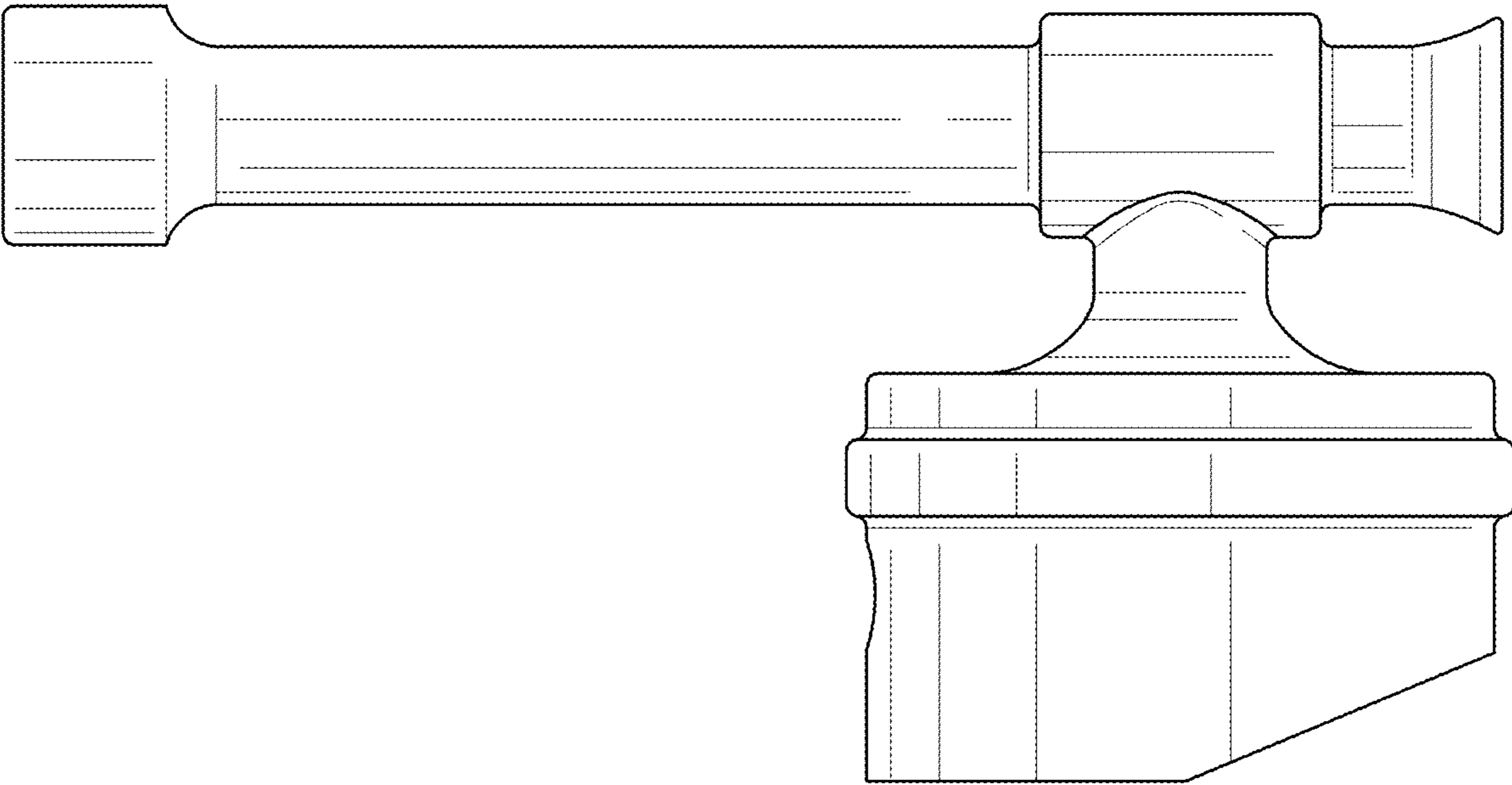


FIG. 5

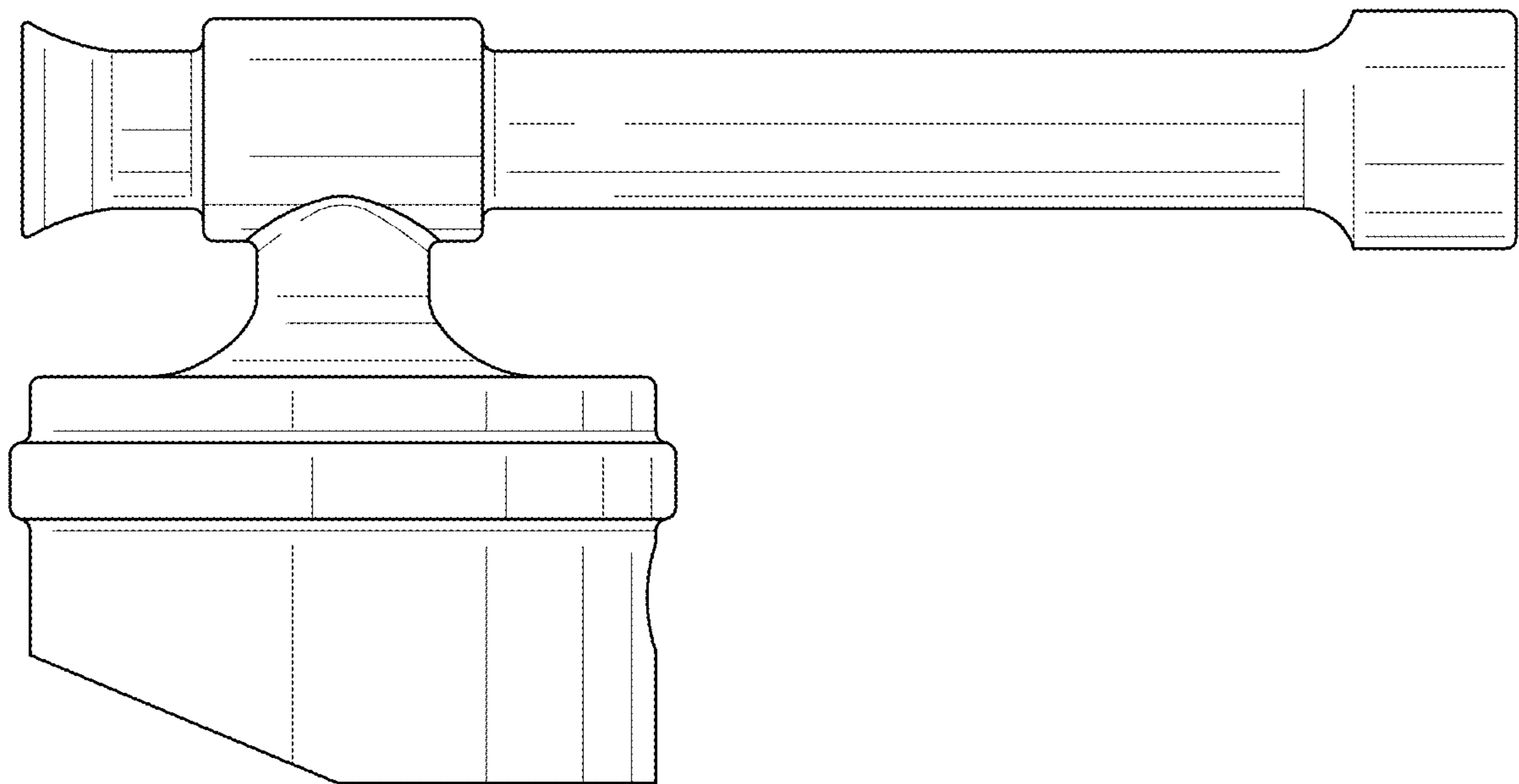


FIG. 6

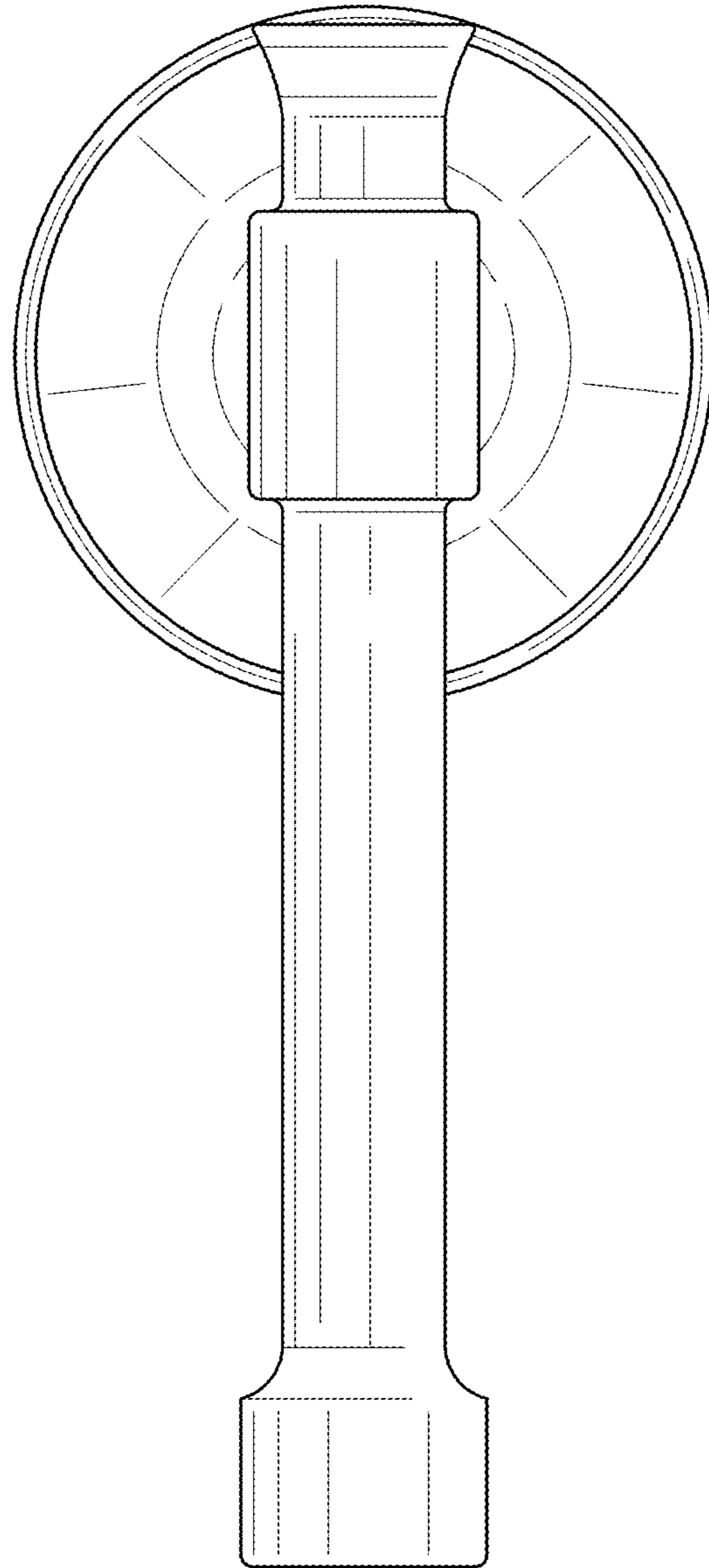


FIG. 7

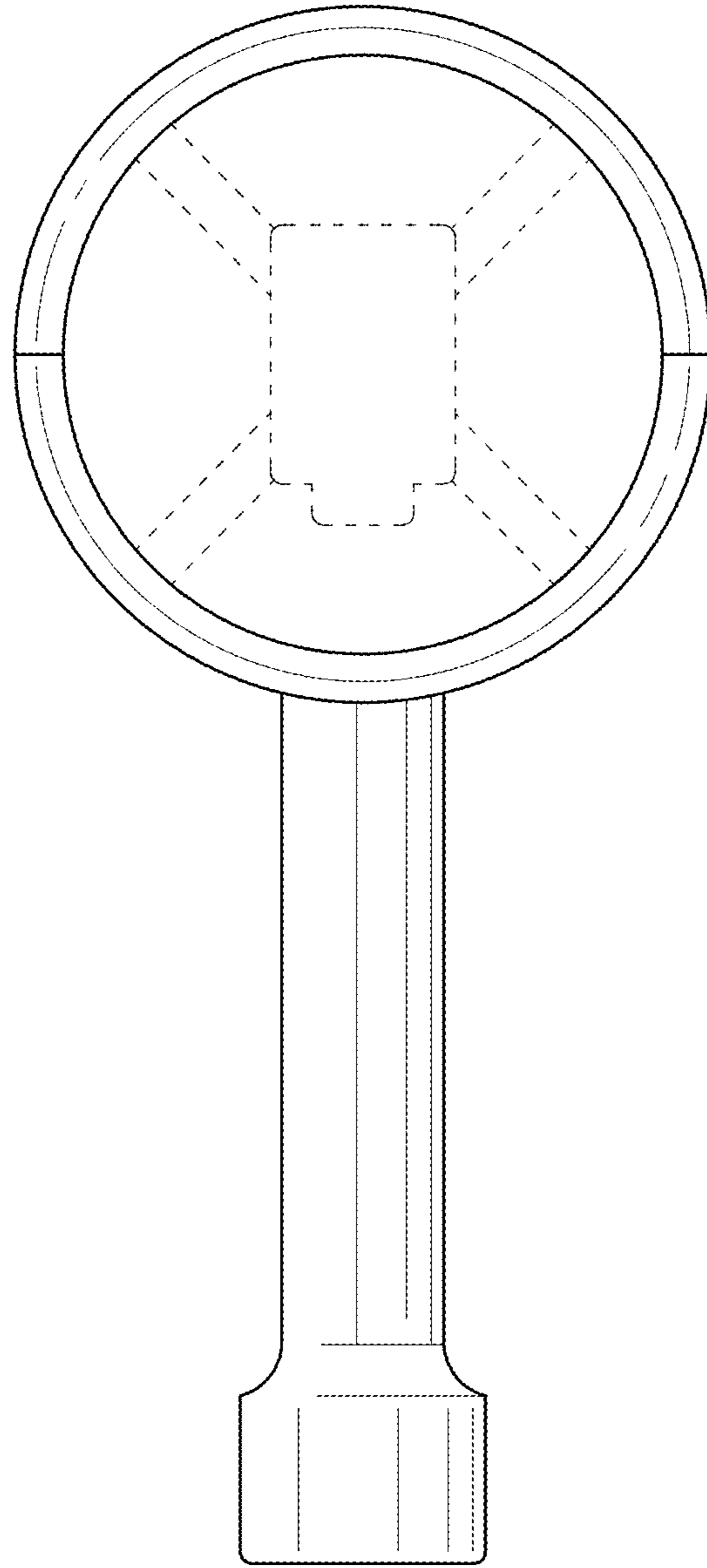


FIG. 8