



US00D922535S

(12) **United States Design Patent**
Lazarini

(10) **Patent No.:** **US D922,535 S**
(45) **Date of Patent:** **** Jun. 15, 2021**

(54) **FAUCET HANDLE**

D859,597 S * 9/2019 Eads D23/252
D881,347 S * 4/2020 Lazarini D23/252
D893,679 S * 8/2020 Park D23/252

(71) Applicant: **DELTA FAUCET COMPANY,**
Indianapolis, IN (US)

* cited by examiner

(72) Inventor: **Alejandra Lazarini,** Carmel, IN (US)

Primary Examiner — Robert A Delehanty

(73) Assignee: **DELTA FAUCET COMPANY,**
Indianapolis, IN (US)

(74) *Attorney, Agent, or Firm* — Nirav D. Parikh; Edgar
A. Zarins

(**) Term: **15 Years**

(57) **CLAIM**

(21) Appl. No.: **29/693,163**

The ornamental design for a faucet handle, as shown and
described.

(22) Filed: **May 31, 2019**

(51) **LOC (13) Cl.** **23-01**

(52) **U.S. Cl.**
USPC **D23/252**

DESCRIPTION

(58) **Field of Classification Search**
USPC D23/250–254, 238–243; D8/307–308
See application file for complete search history.

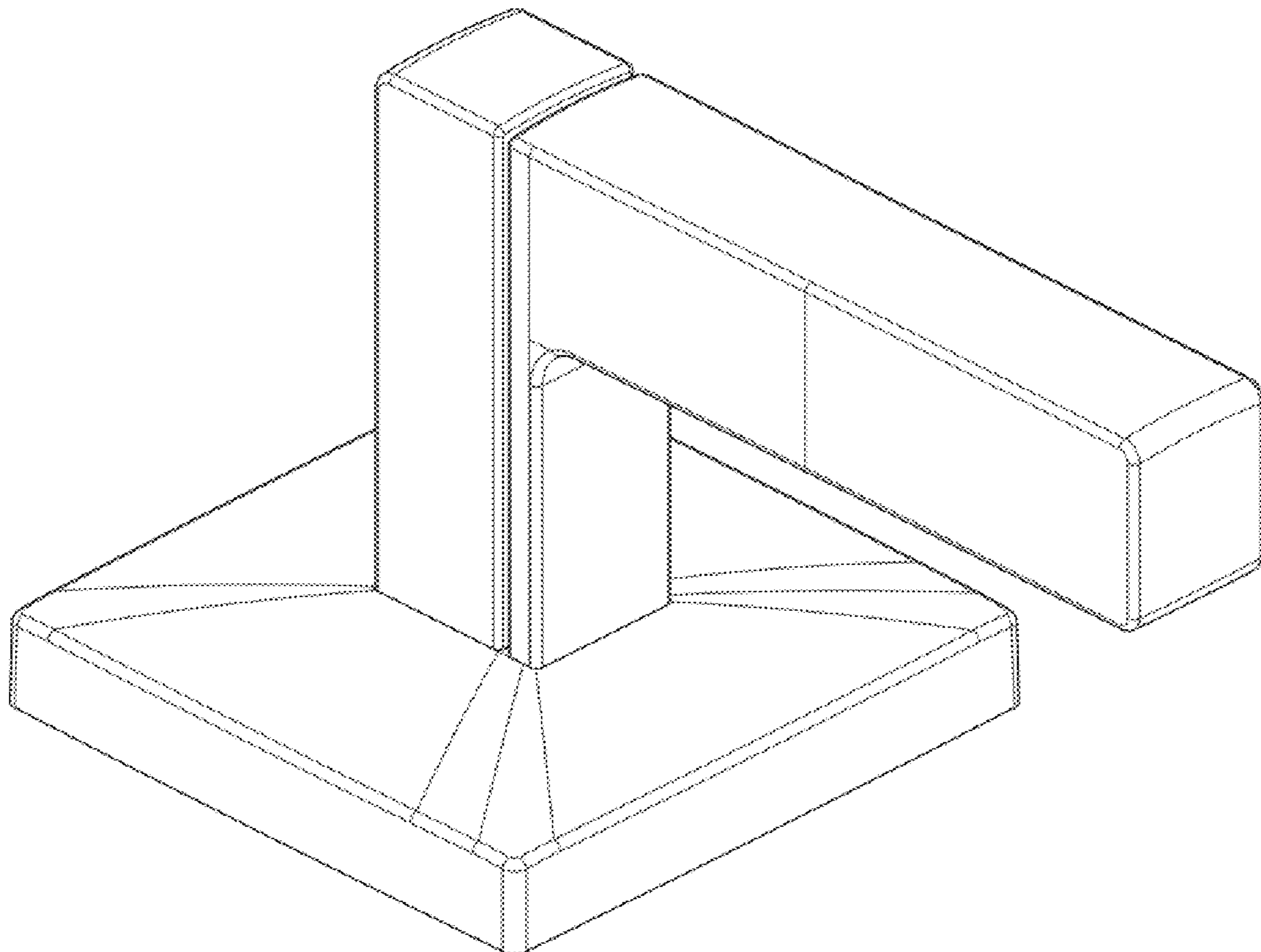
FIG. 1 is a front perspective view of a faucet handle showing
my new design;
FIG. 2 is a rear perspective view thereof;
FIG. 3 is a left side view thereof;
FIG. 4 is a front elevational view thereof;
FIG. 5 is a right side view thereof;
FIG. 6 is a rear view thereof; and,
FIG. 7 is a top plan view thereof.

(56) **References Cited**

U.S. PATENT DOCUMENTS

D515,671 S * 2/2006 Toyohara D23/241
D648,828 S * 11/2011 Meyer D23/252

1 Claim, 4 Drawing Sheets



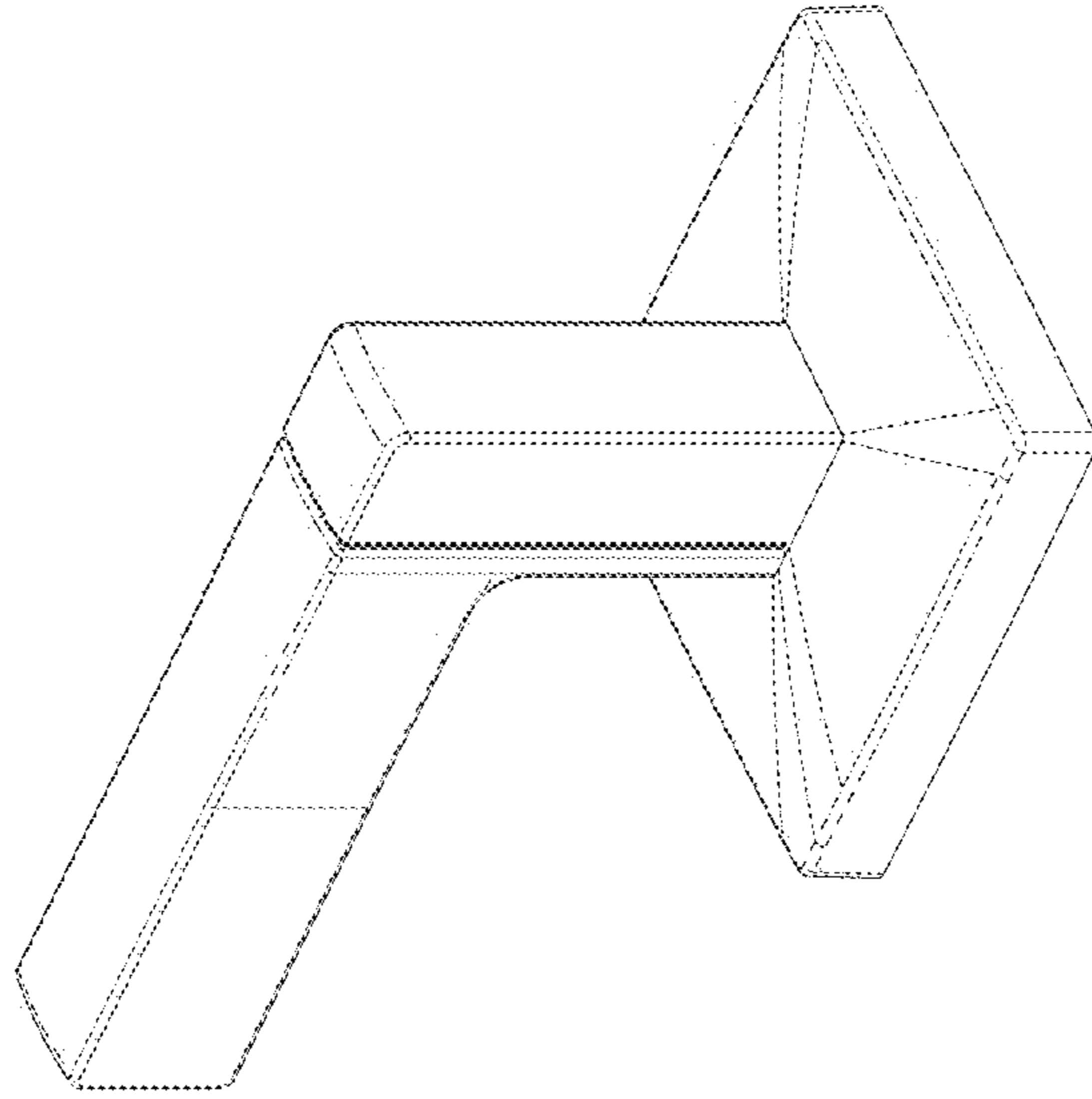


FIG - 2

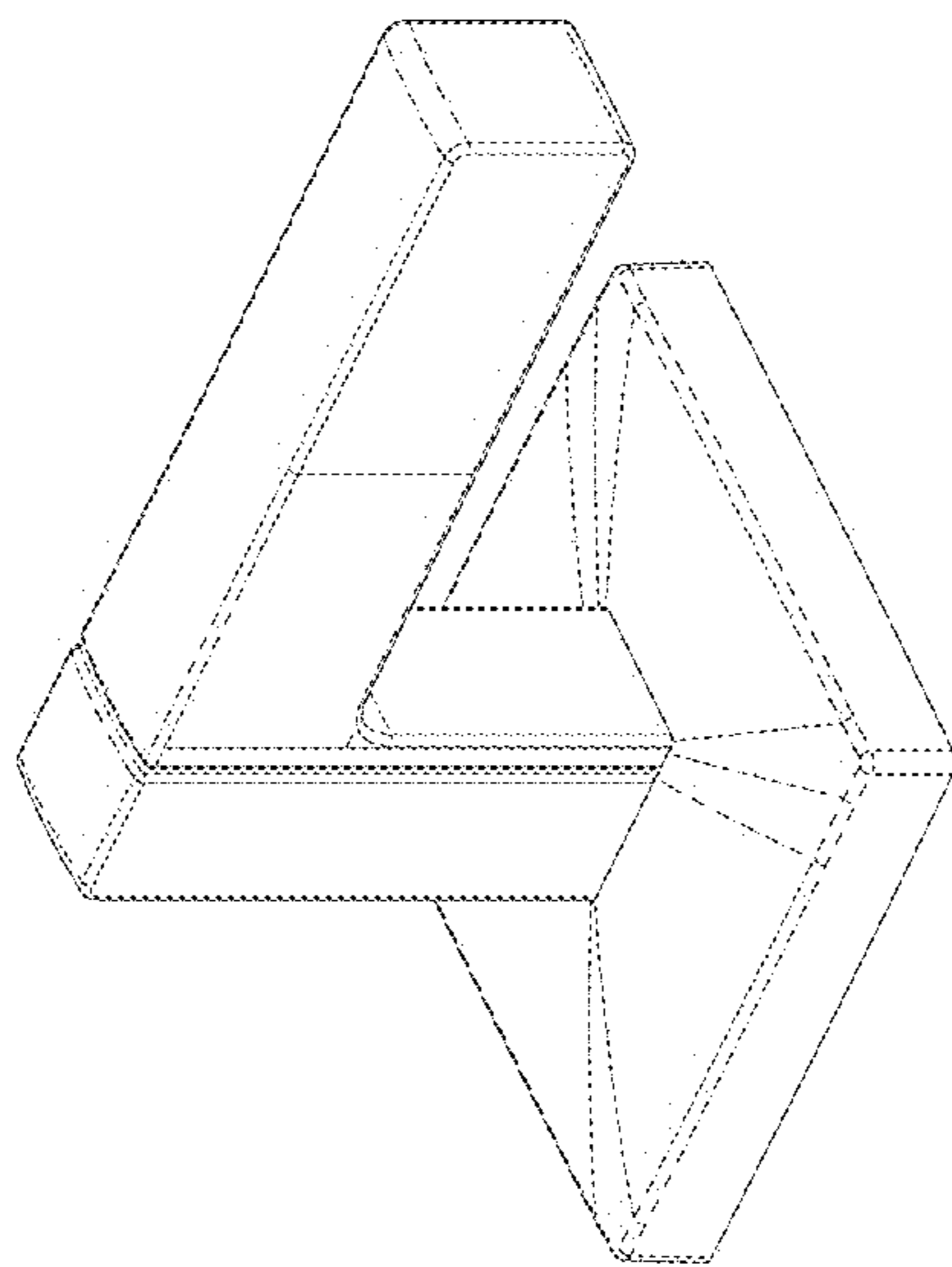


FIG - 1

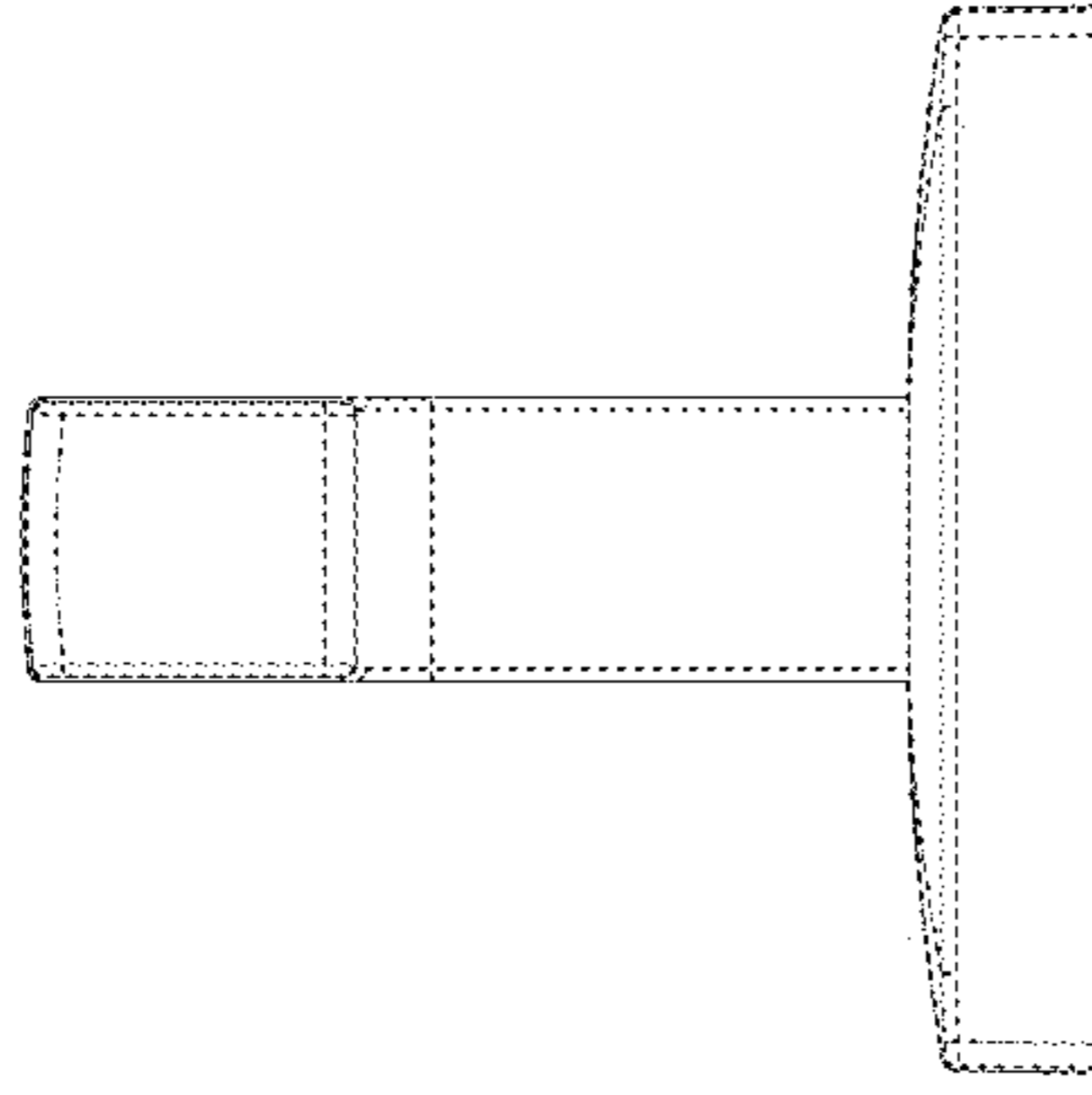


FIG - 4

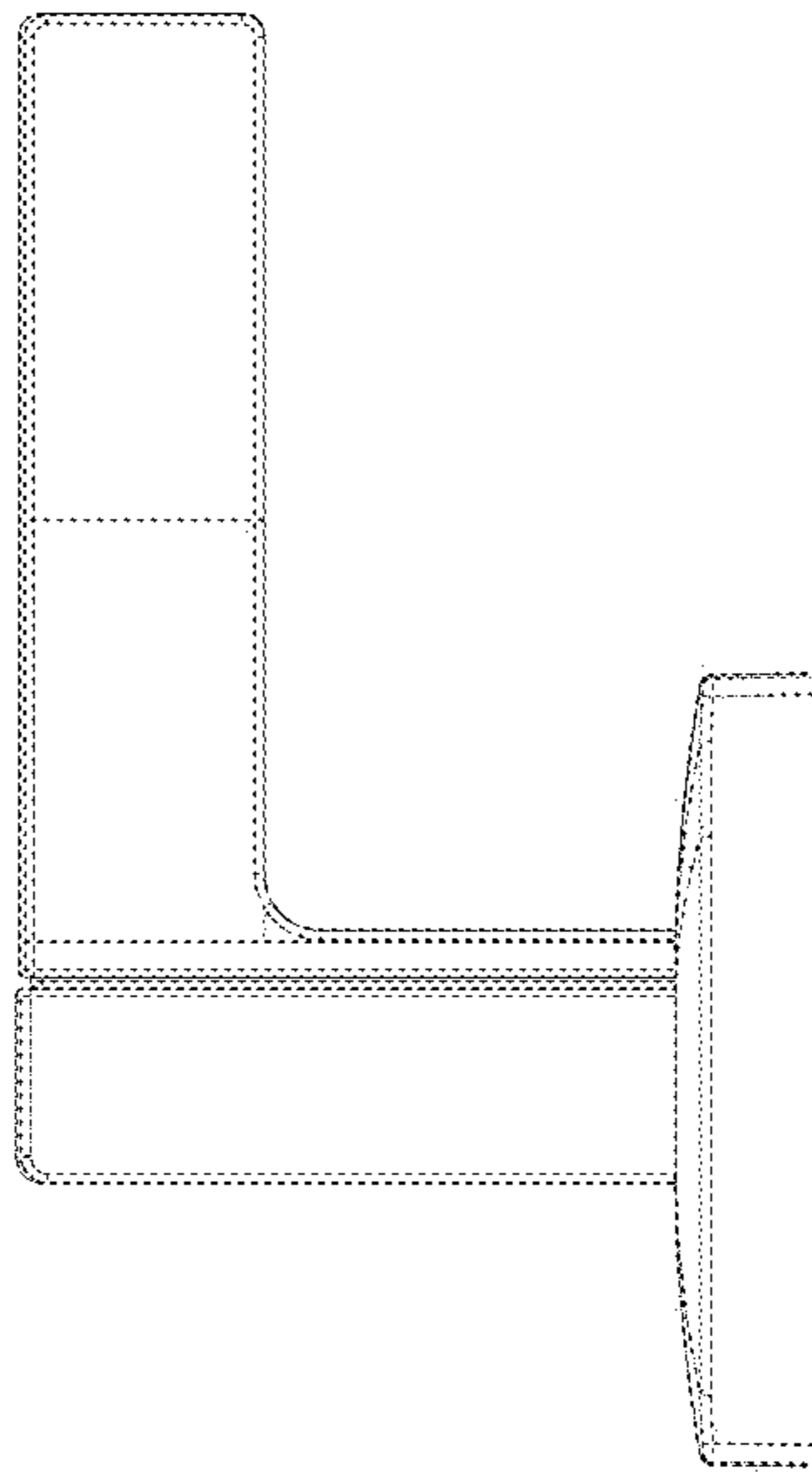


FIG - 3

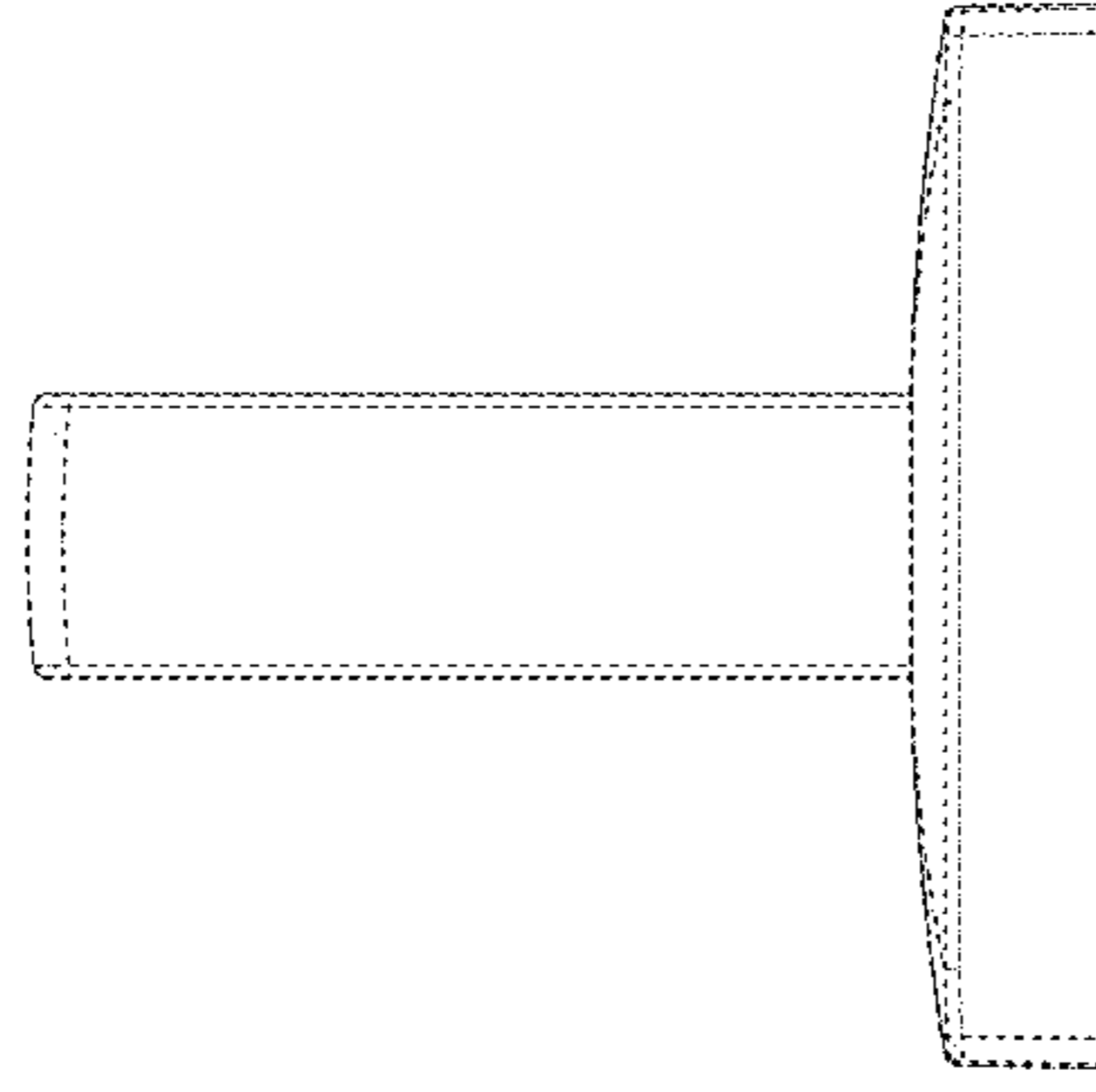


FIG - 6

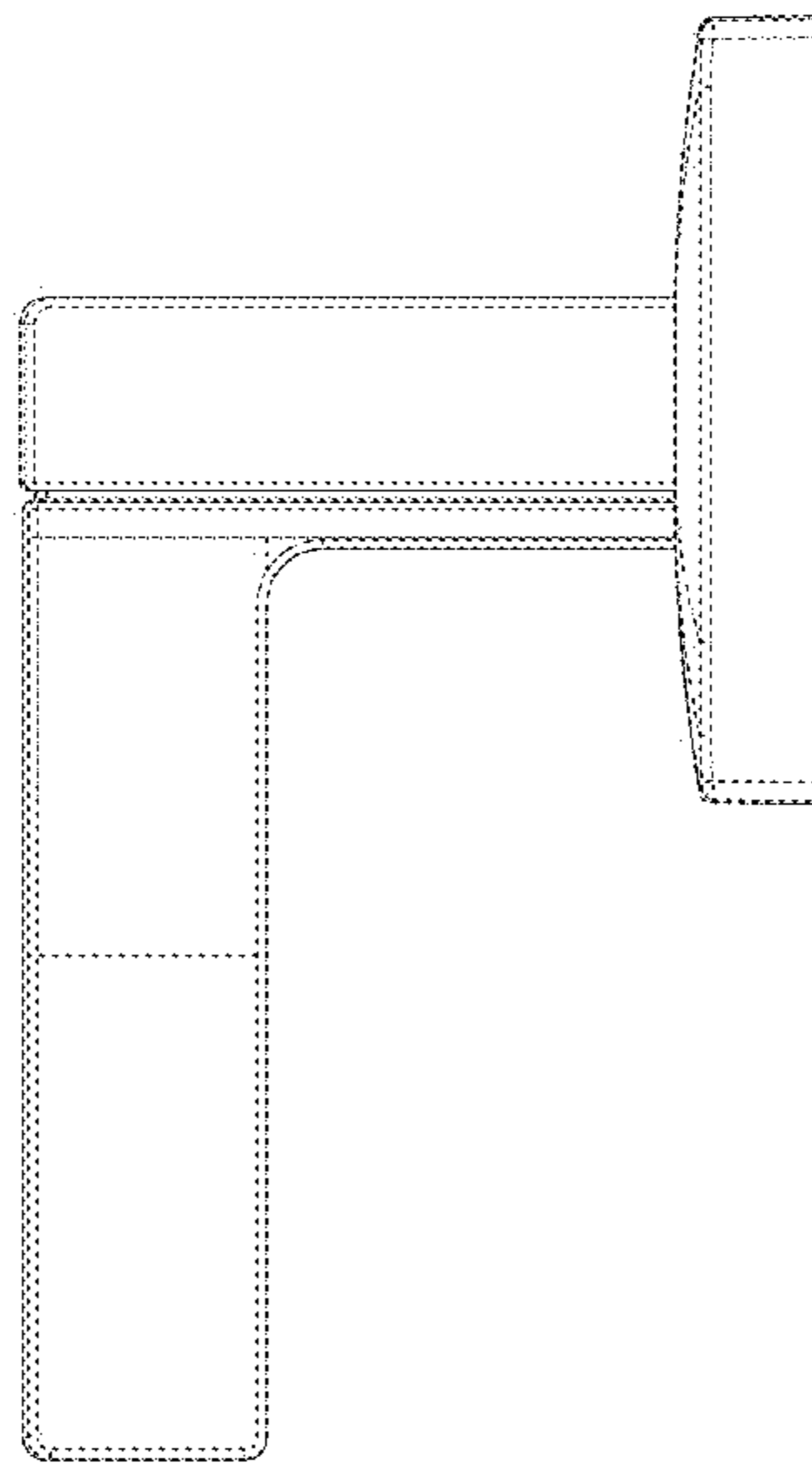


FIG - 5

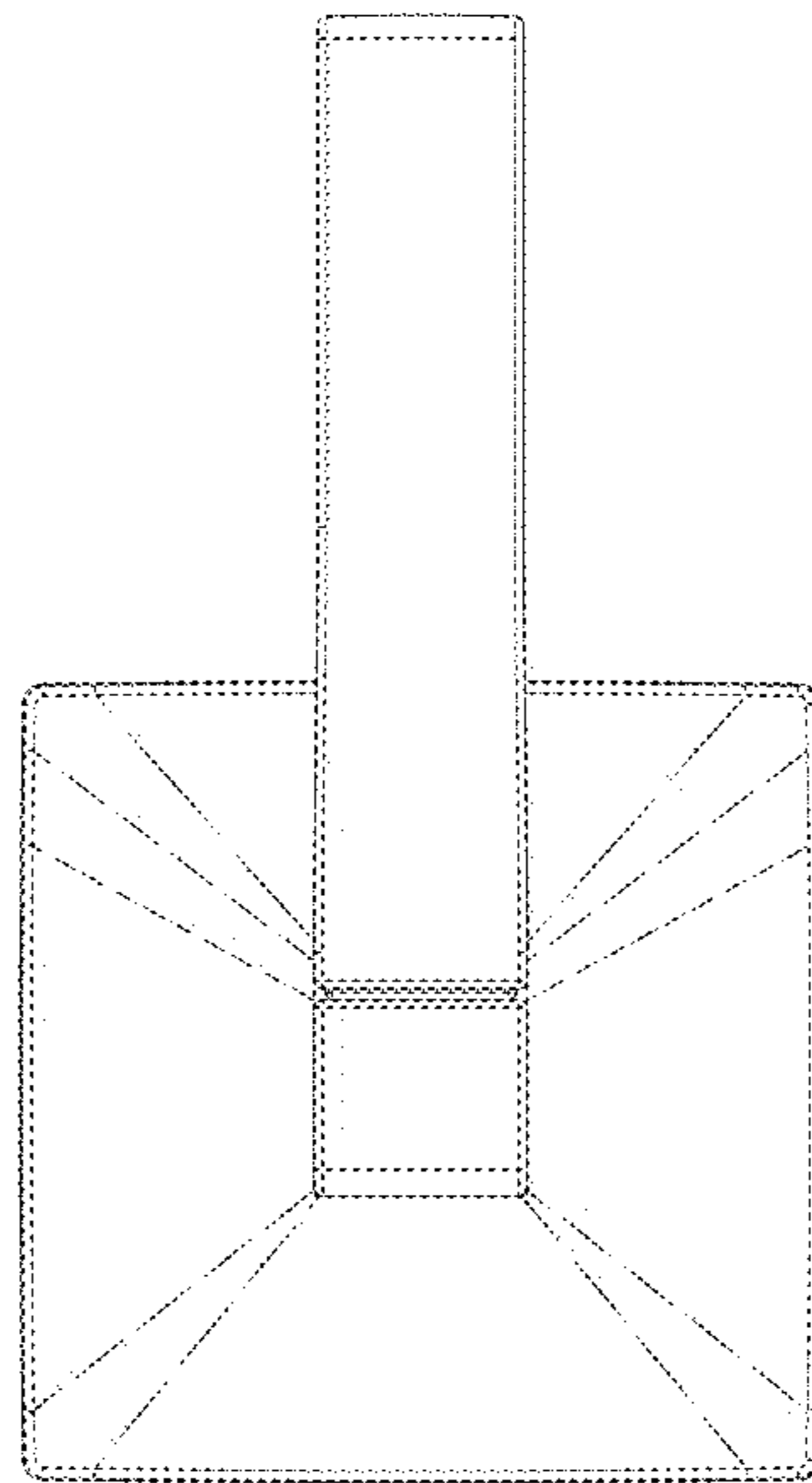


FIG - 7