



US00D922534S

(12) **United States Design Patent**  
**Eads**

(10) **Patent No.:** **US D922,534 S**

(45) **Date of Patent:** **\*\* Jun. 15, 2021**

(54) **FAUCET HANDLE**

D878,522 S \* 3/2020 Eads ..... D23/252  
D881,347 S \* 4/2020 Lazarini ..... D23/252  
D893,679 S \* 8/2020 Park ..... D23/252

(71) Applicant: **DELTA FAUCET COMPANY,**  
Indianapolis, IN (US)

\* cited by examiner

(72) Inventor: **Thad Eads,** Urbana, IN (US)

*Primary Examiner* — Robert A Delehanty

(73) Assignee: **DELTA FAUCET COMPANY,**  
Indianapolis, IN (US)

(74) *Attorney, Agent, or Firm* — Nirav D. Parikh; Edgar  
A. Zarins

(\*\*) Term: **15 Years**

(57) **CLAIM**

(21) Appl. No.: **29/679,980**

The ornamental design for a faucet handle, as shown and  
described.

(22) Filed: **Feb. 12, 2019**

(51) **LOC (13) Cl.** ..... **23-01**

(52) **U.S. Cl.**  
USPC ..... **D23/252**

**DESCRIPTION**

(58) **Field of Classification Search**  
USPC ..... D23/250–254, 238–243; D8/307–308  
See application file for complete search history.

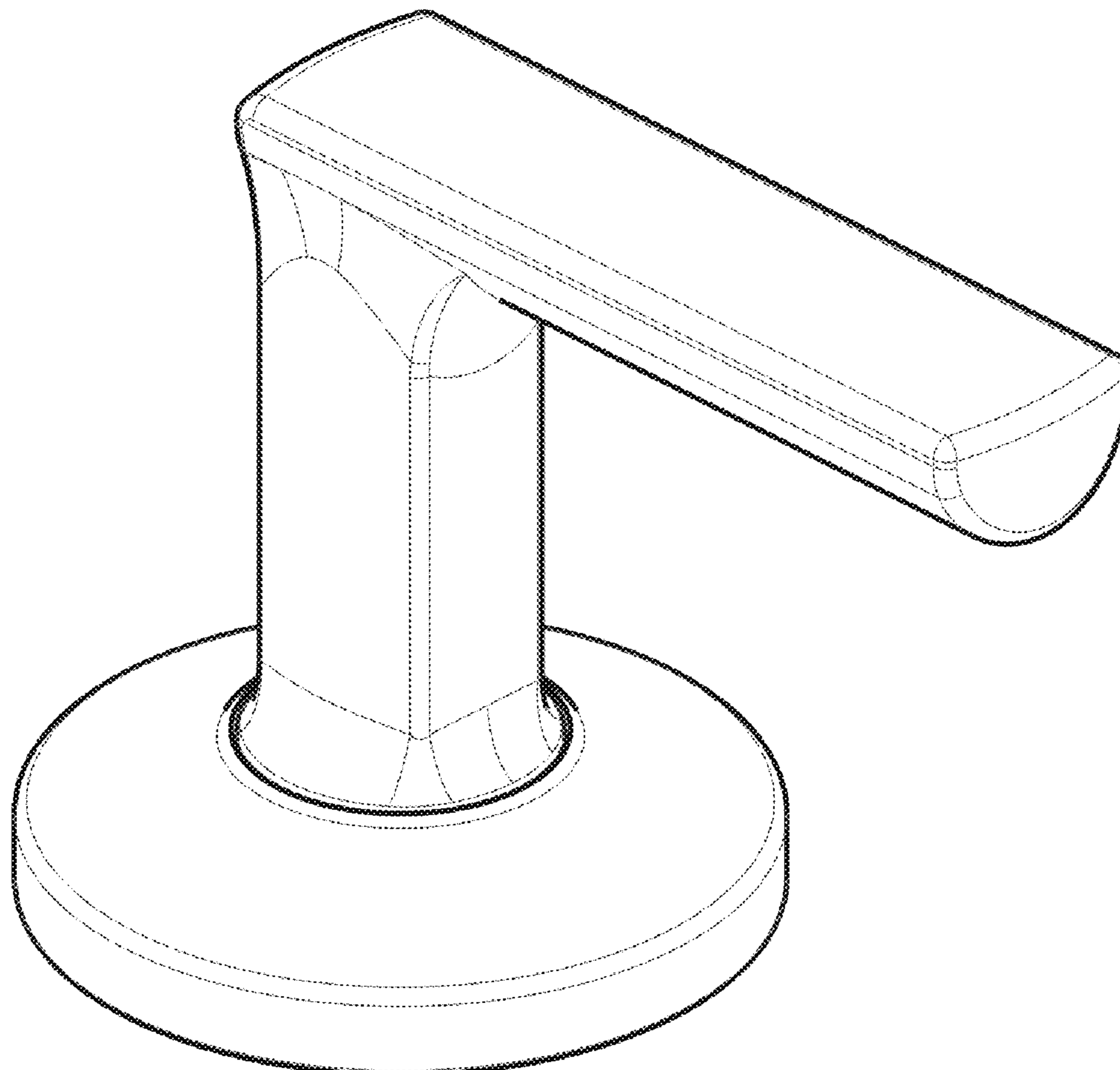
FIG. 1 is a first front perspective view of a faucet handle  
showing my new design;  
FIG. 2 is a second front perspective view thereof;  
FIG. 3 is a first side view thereof;  
FIG. 4 is a first end view thereof;  
FIG. 5 is a second side view thereof;  
FIG. 6 is a second end view thereof; and,  
FIG. 7 is a top plan view thereof.

(56) **References Cited**

**U.S. PATENT DOCUMENTS**

D644,303 S \* 8/2011 Slothower ..... D23/252  
D875,894 S \* 2/2020 Eads ..... D23/253

**1 Claim, 4 Drawing Sheets**



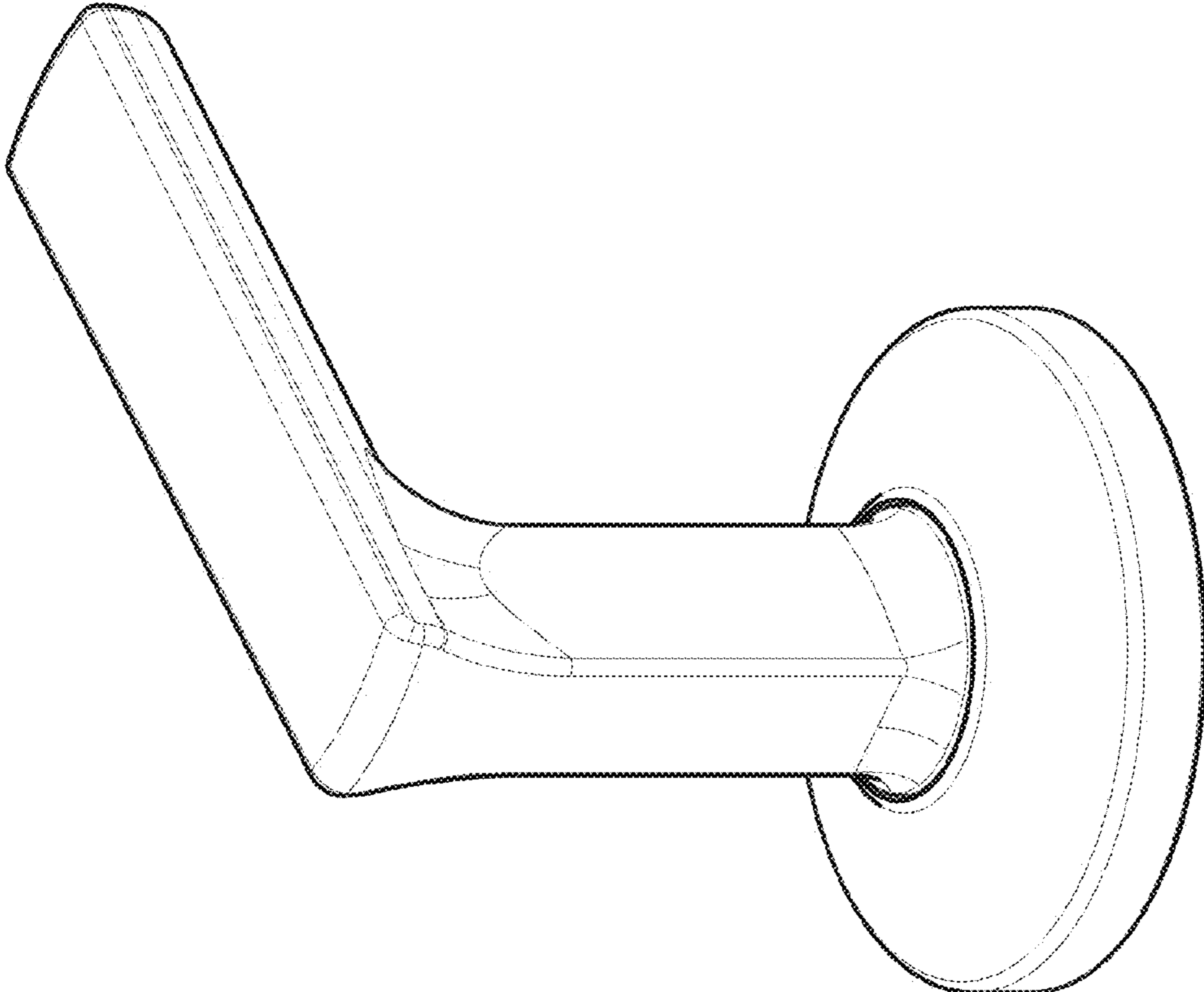


FIG-2

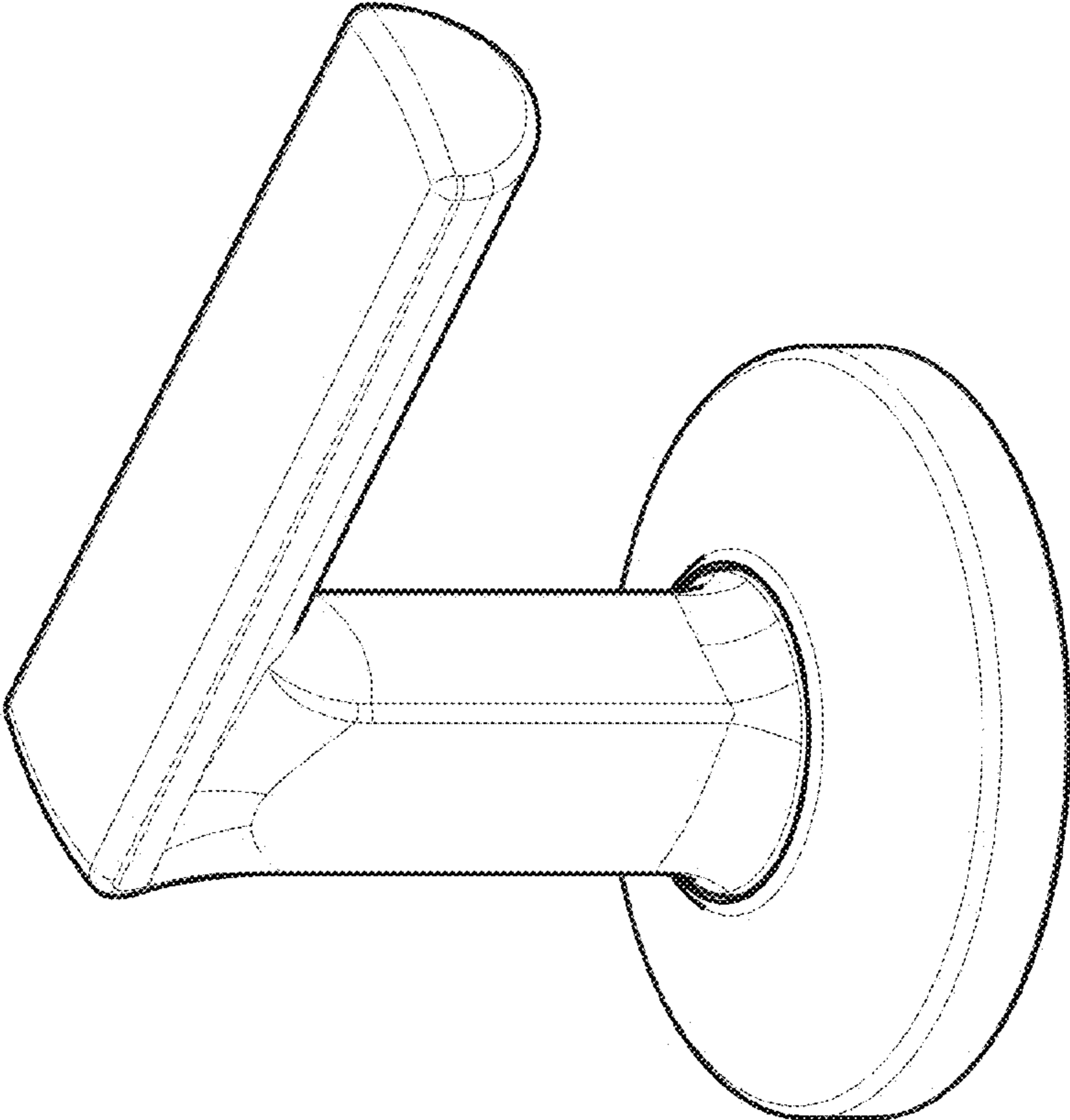


FIG-1

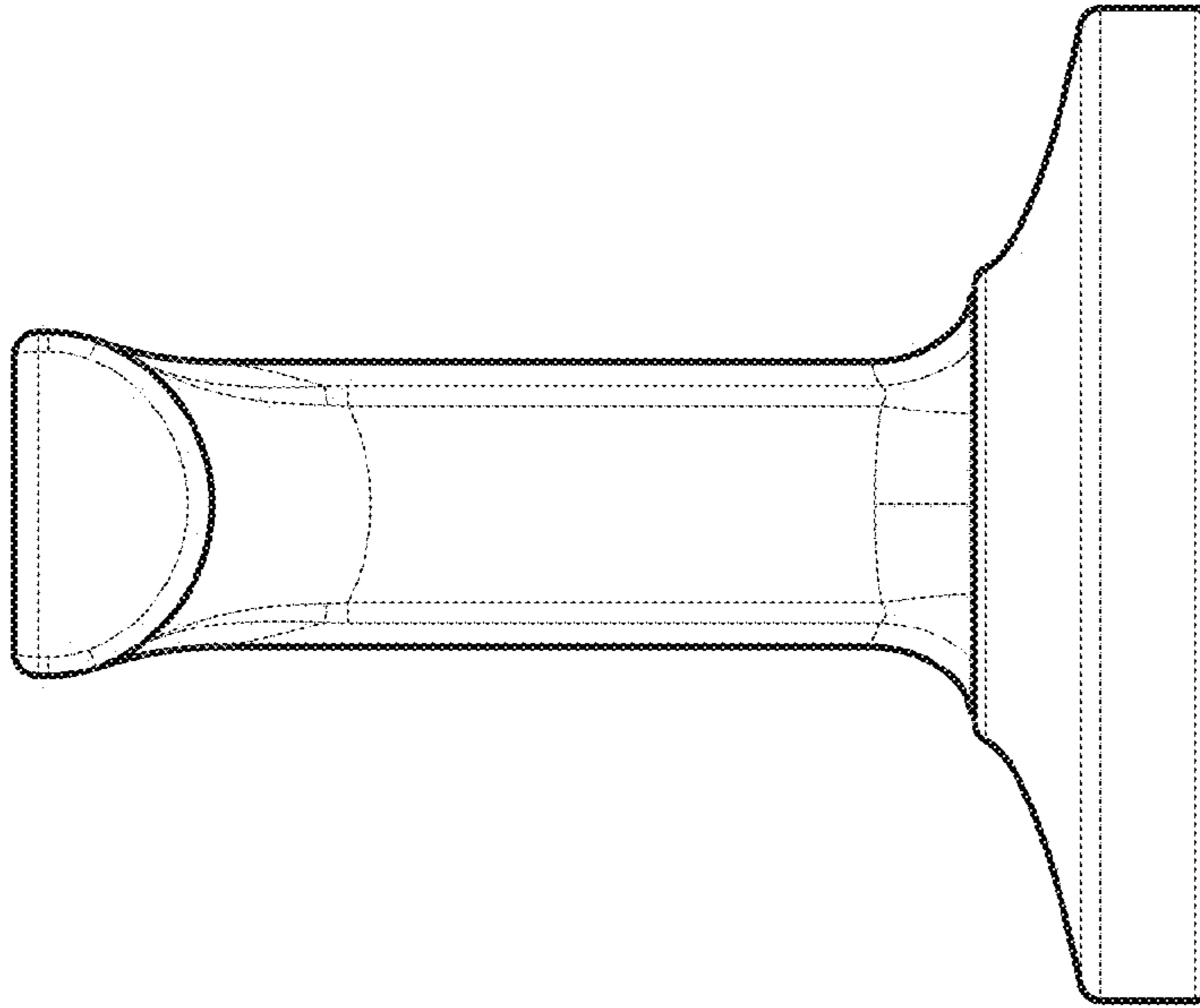


FIG-4

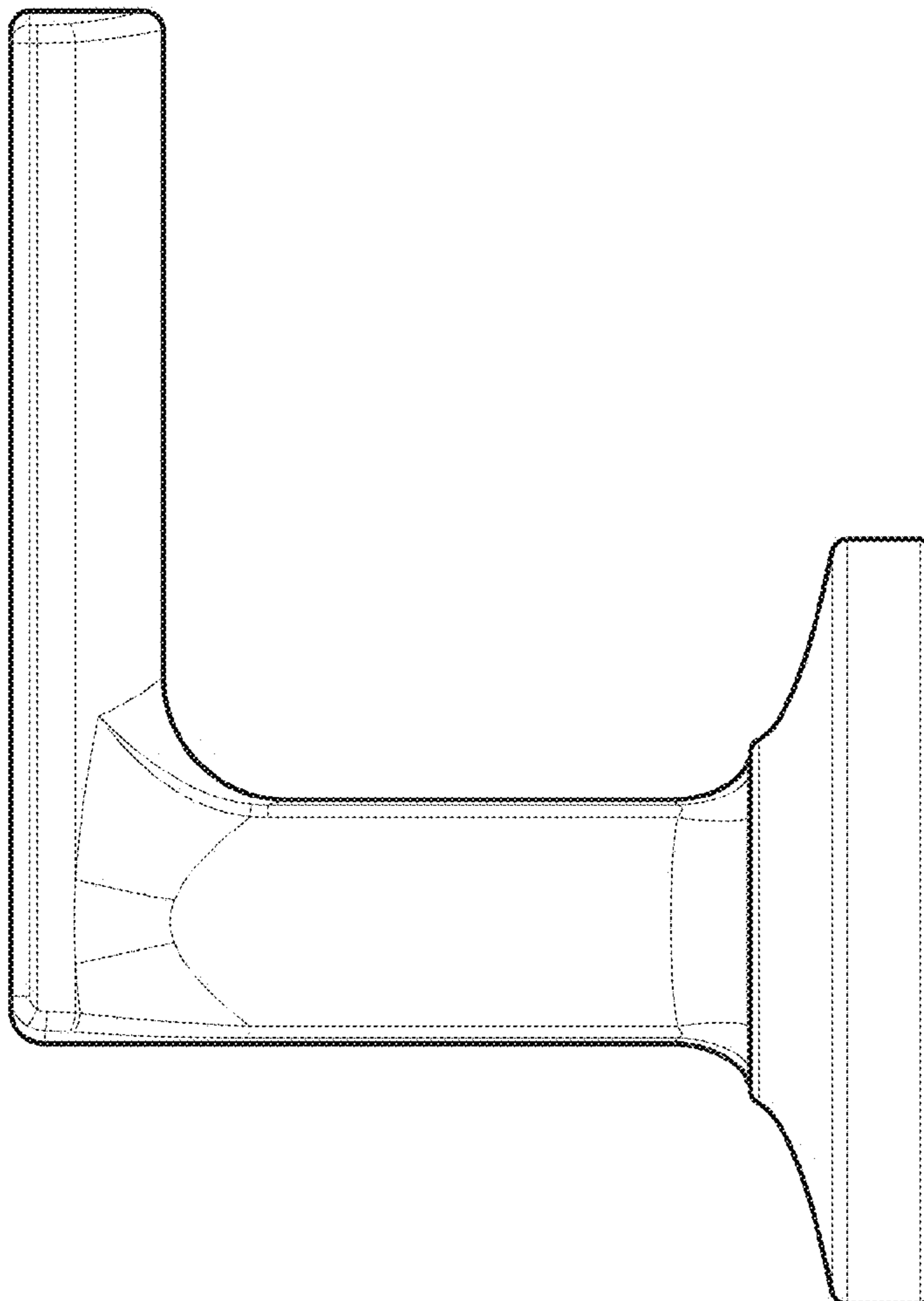


FIG-3

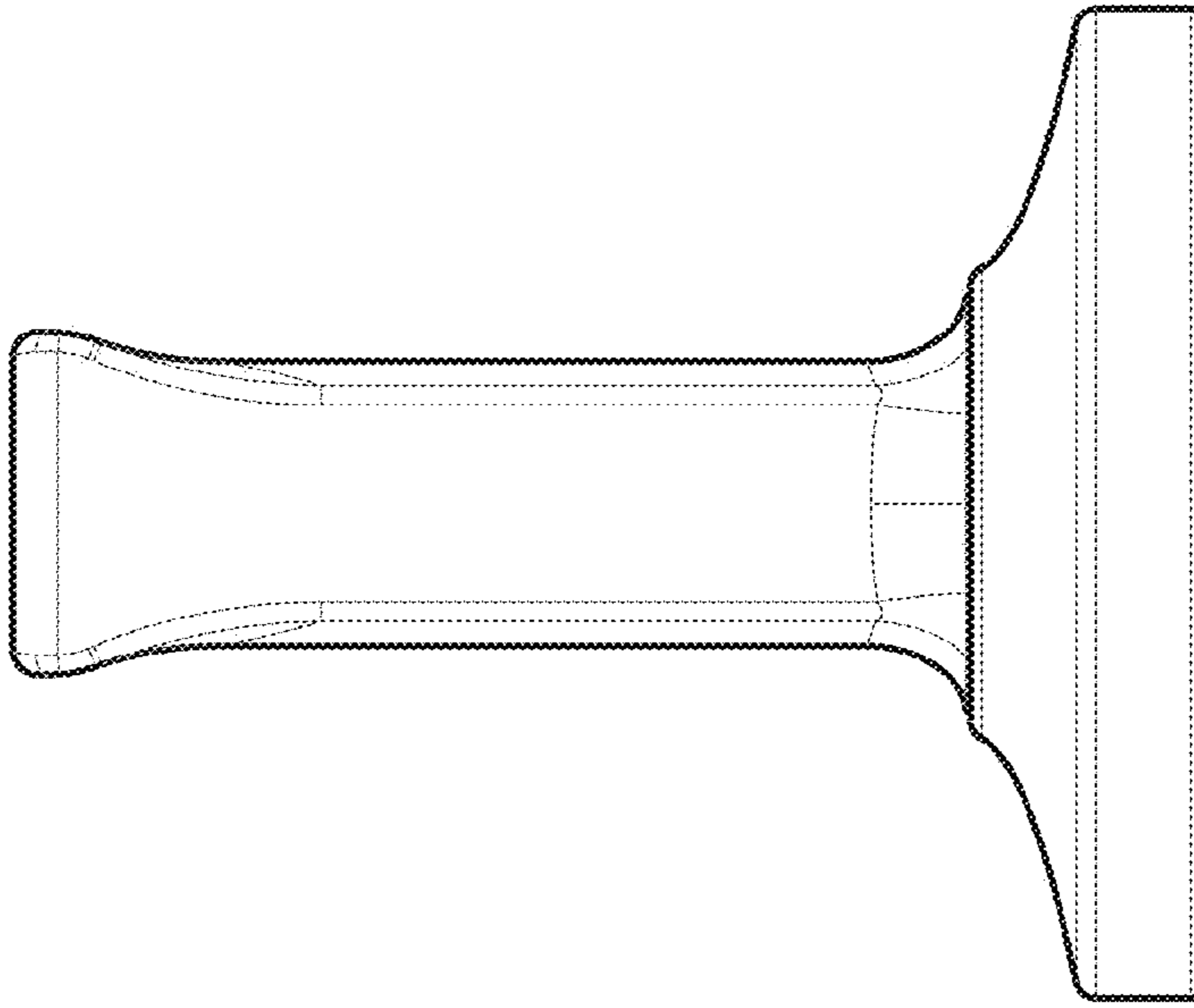


FIG-6

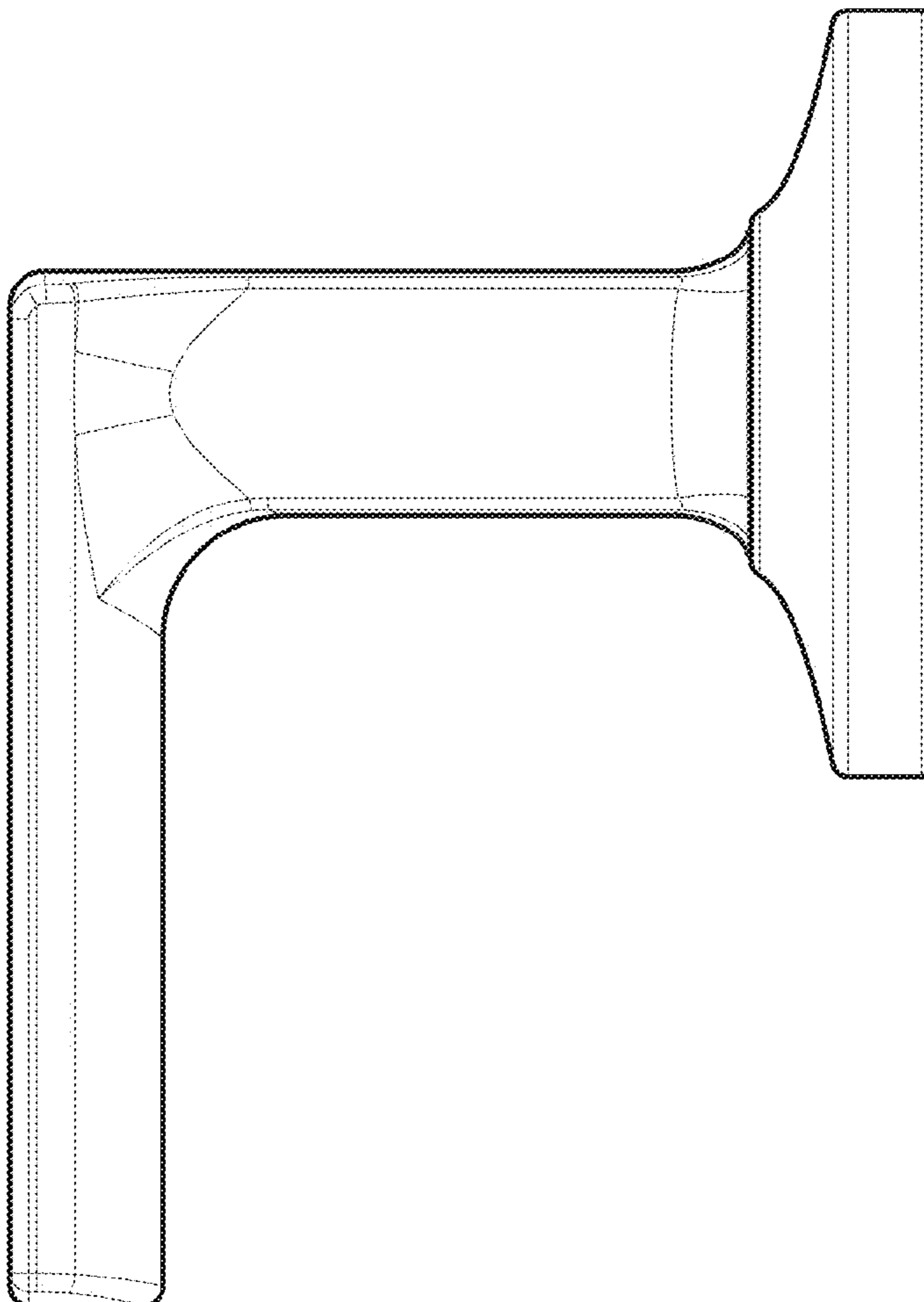


FIG-5

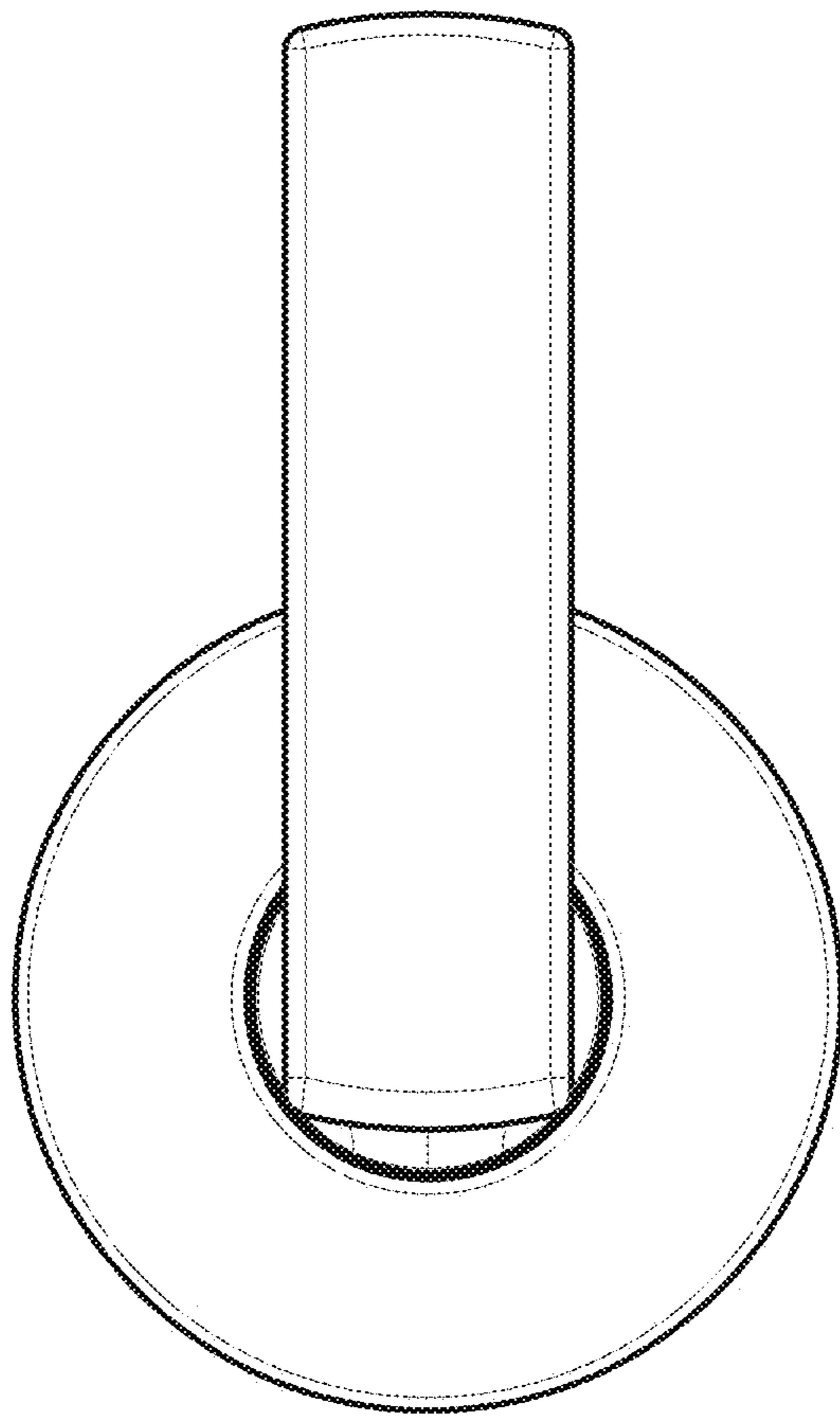


FIG-7