

US00D922533S

(12) **United States Design Patent**
Eads

(10) **Patent No.:** **US D922,533 S**

(45) **Date of Patent:** **** Jun. 15, 2021**

(54) **FAUCET HANDLE**

(71) Applicant: **DELTA FAUCET COMPANY**,
Indianapolis, IN (US)

(72) Inventor: **Thad Eads**, Urbana, IN (US)

(73) Assignee: **DELTA FAUCET COMPANY**

(**) Term: **15 Years**

(21) Appl. No.: **29/679,872**

(22) Filed: **Feb. 11, 2019**

(51) **LOC (13) Cl.** **23-01**

(52) **U.S. Cl.**
USPC **D23/250**

(58) **Field of Classification Search**
USPC D23/250-254, 238-243; D6/323;
D8/307-308
See application file for complete search history.

(56) **References Cited**

U.S. PATENT DOCUMENTS

D416,139 S * 11/1999 Roth D6/323
D644,303 S * 8/2011 Slothower D23/252

D741,694 S * 10/2015 Bahler D8/372
D832,403 S * 10/2018 Van Duysen D23/253
D875,894 S * 2/2020 Eads D23/253
D884,837 S * 5/2020 Park D23/253

* cited by examiner

Primary Examiner — Robert A Delehanty

(74) *Attorney, Agent, or Firm* — Nirav D. Parikh; Edgar
A. Zarins

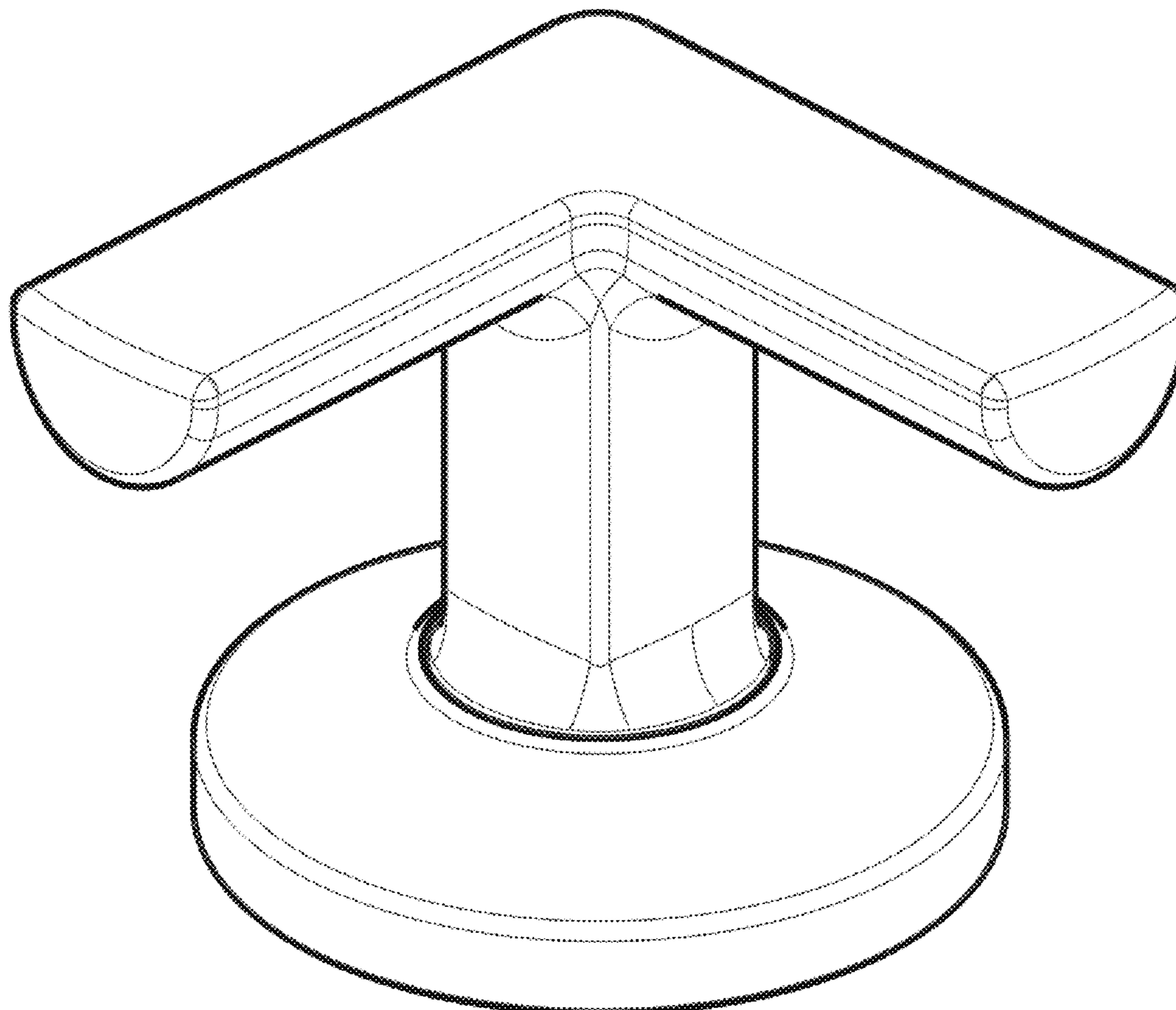
(57) **CLAIM**

The ornamental design for a faucet handle, as shown and described.

DESCRIPTION

FIG. 1 is a first front perspective view of a faucet handle showing my new design;
FIG. 2 is a second front perspective view thereof;
FIG. 3 is a first side view thereof;
FIG. 4 is a first end view thereof;
FIG. 5 is a second side view thereof;
FIG. 6 is a second end view thereof; and,
FIG. 7 is a top plan view thereof.

1 Claim, 4 Drawing Sheets



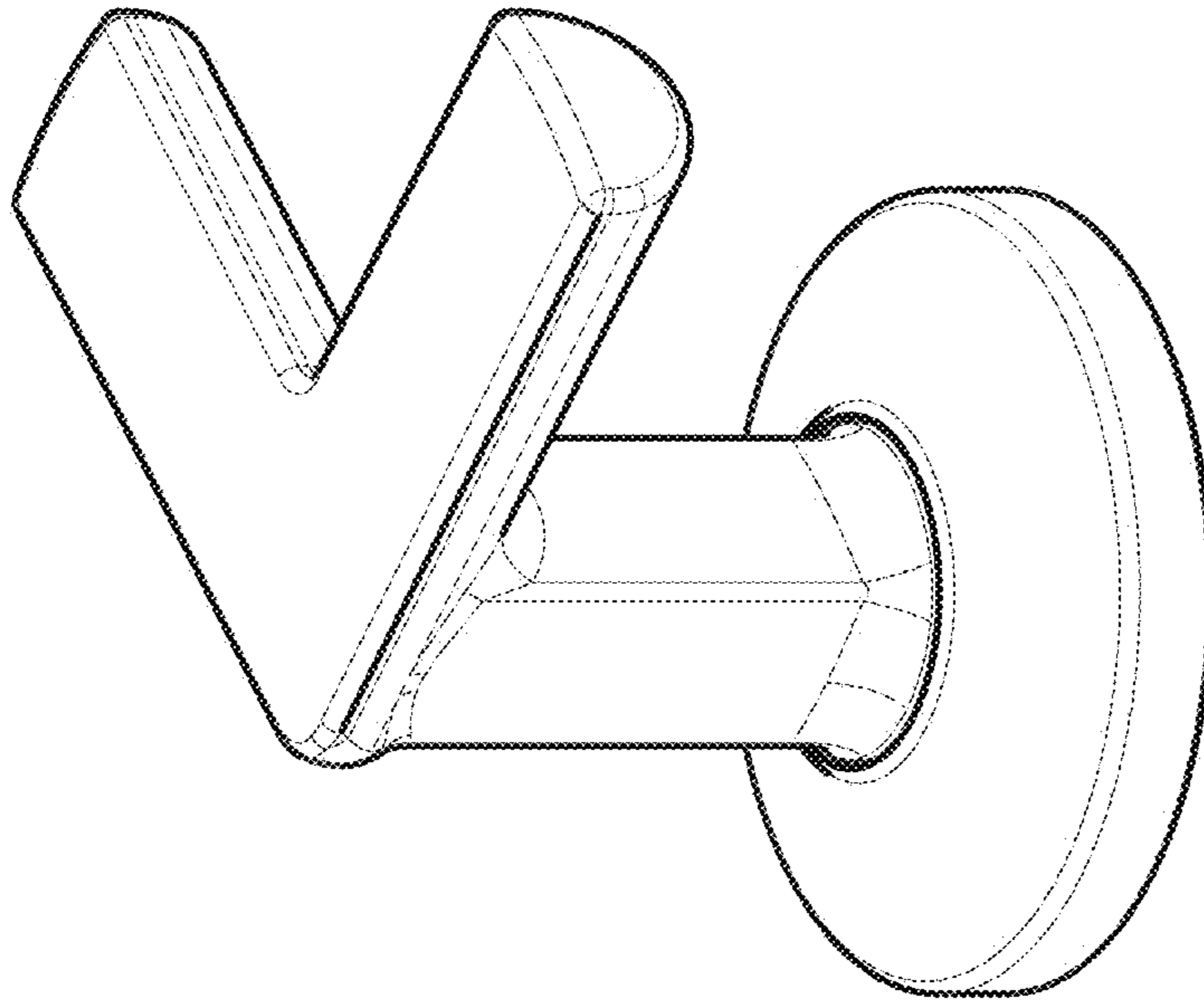


FIG-2

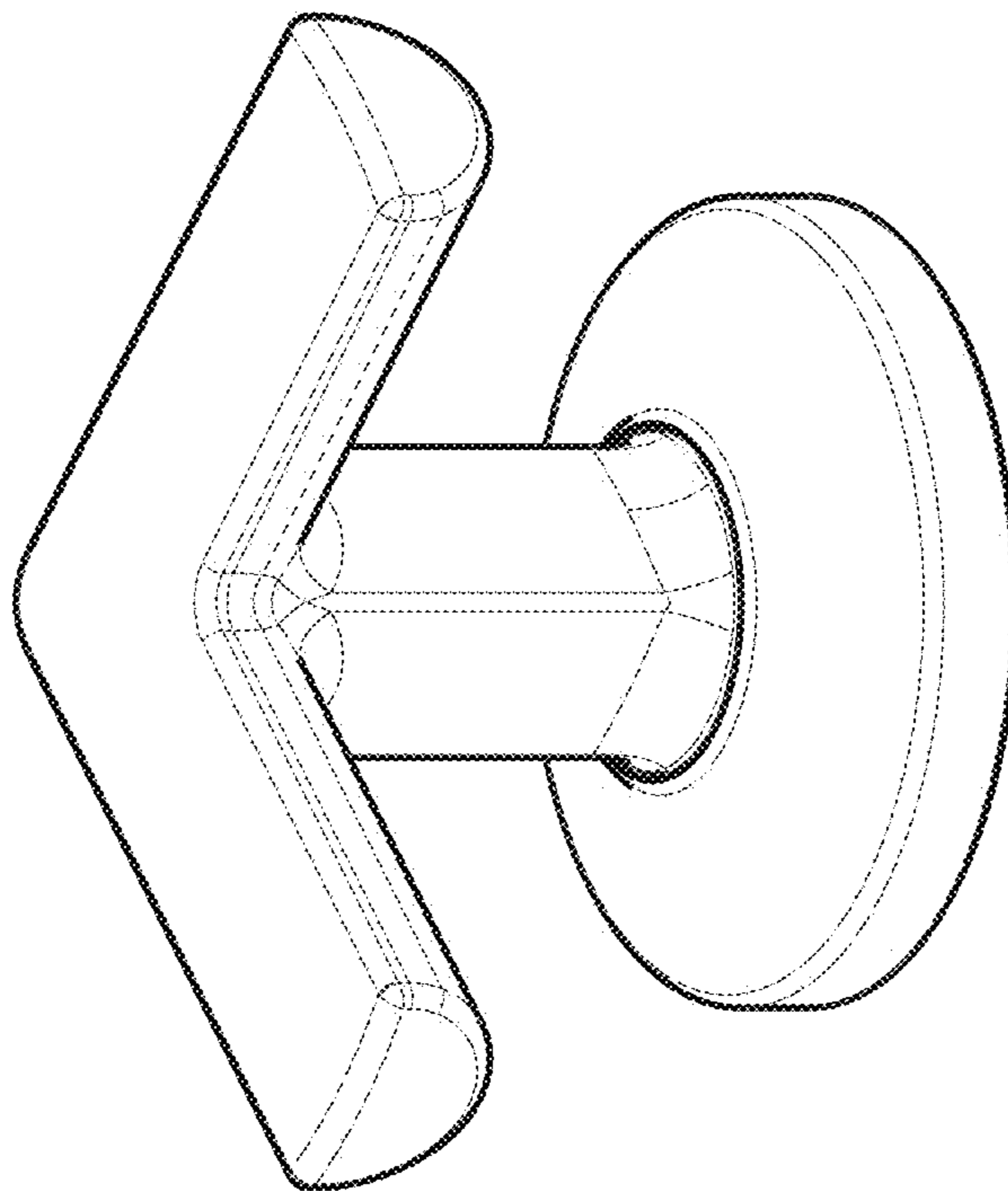


FIG-1

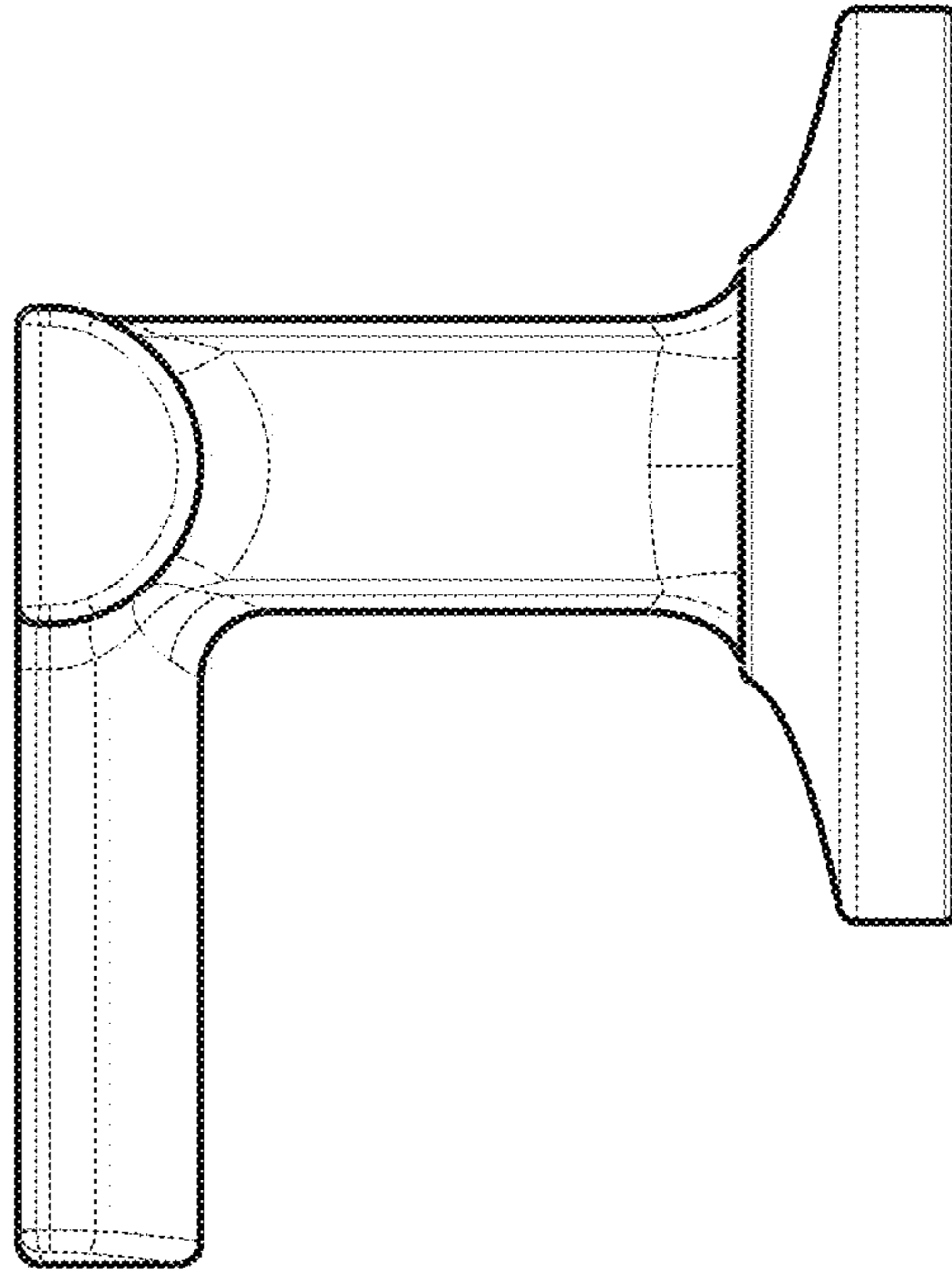


FIG-4

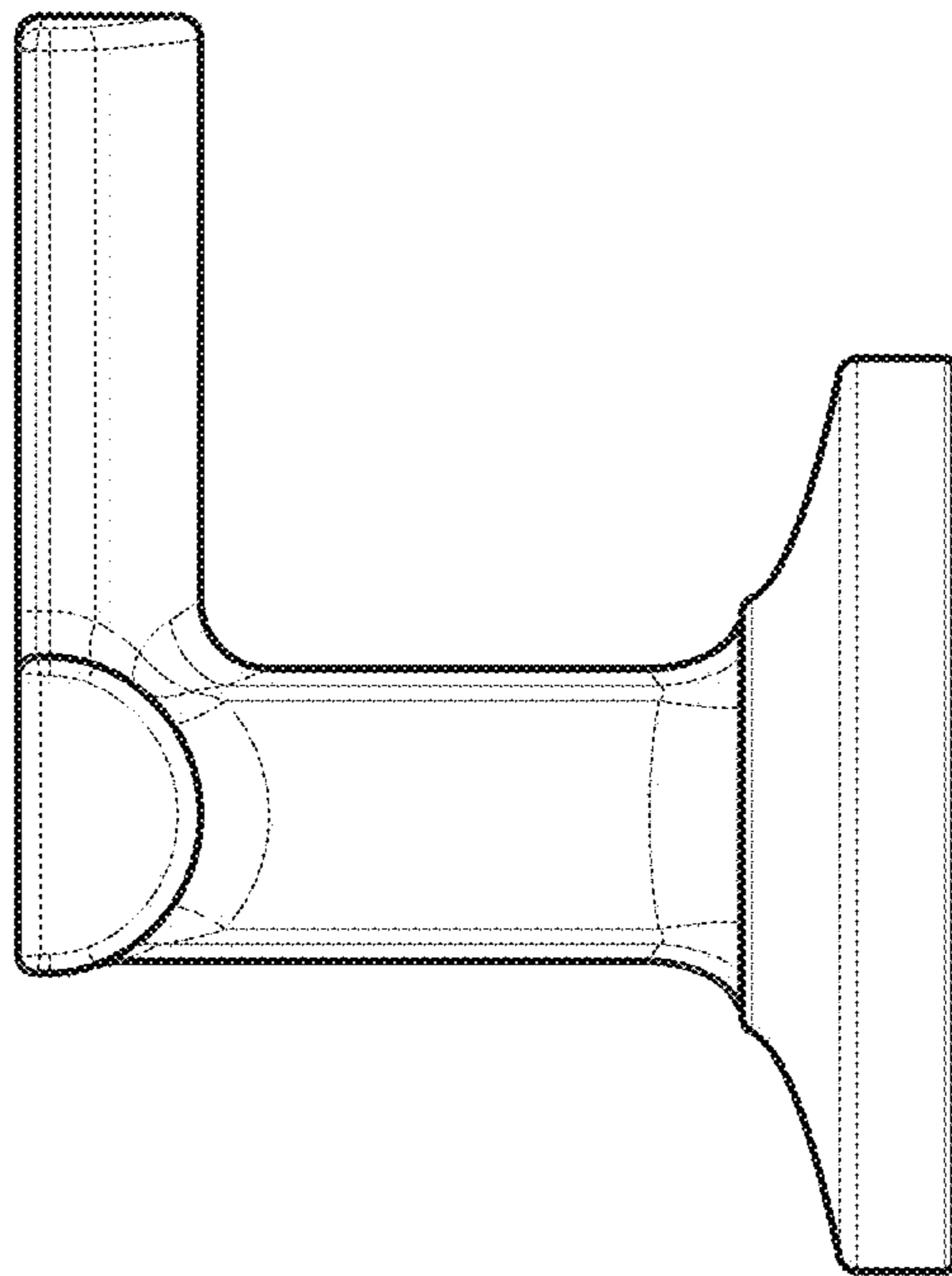


FIG-3

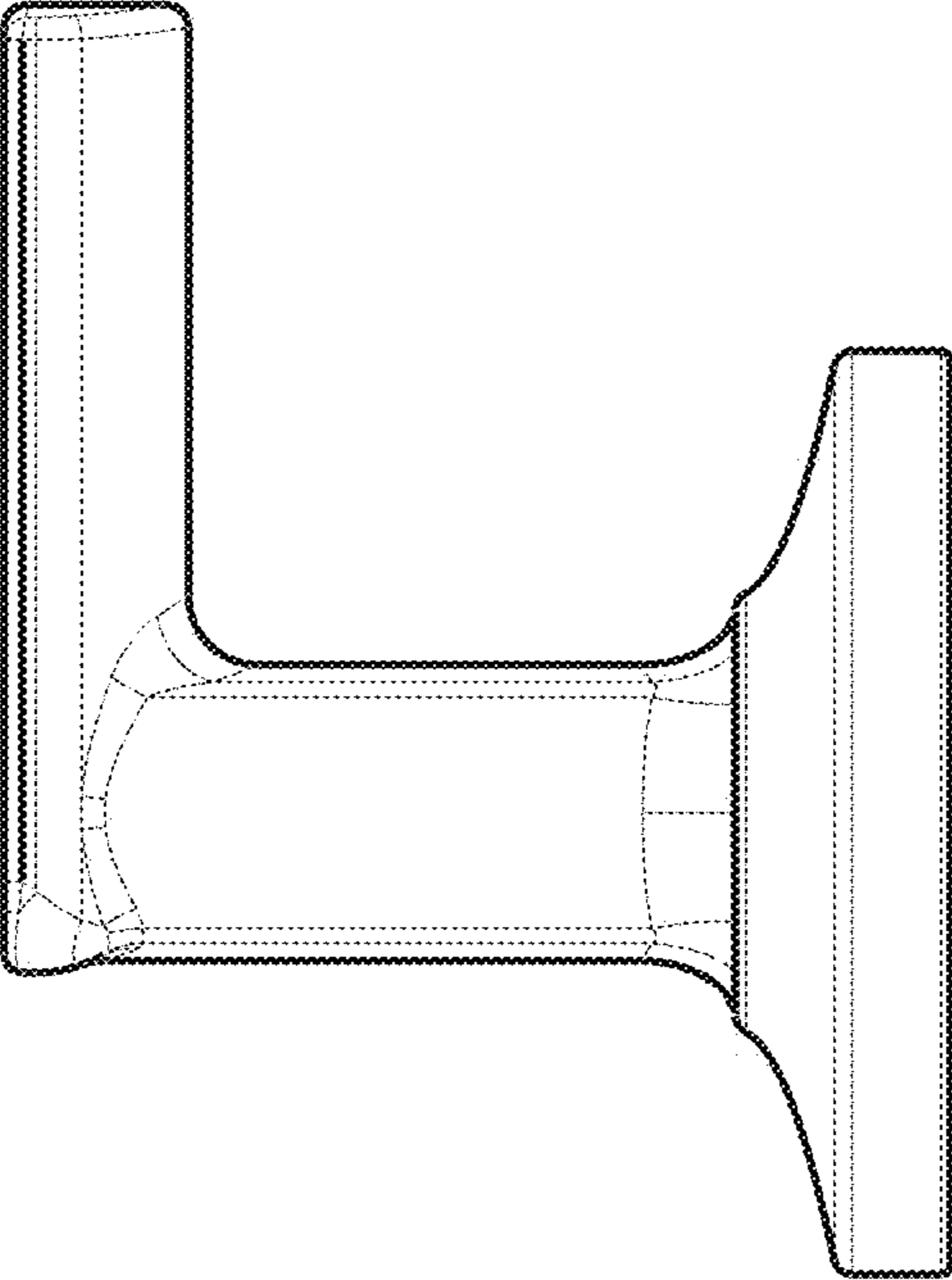


FIG-6

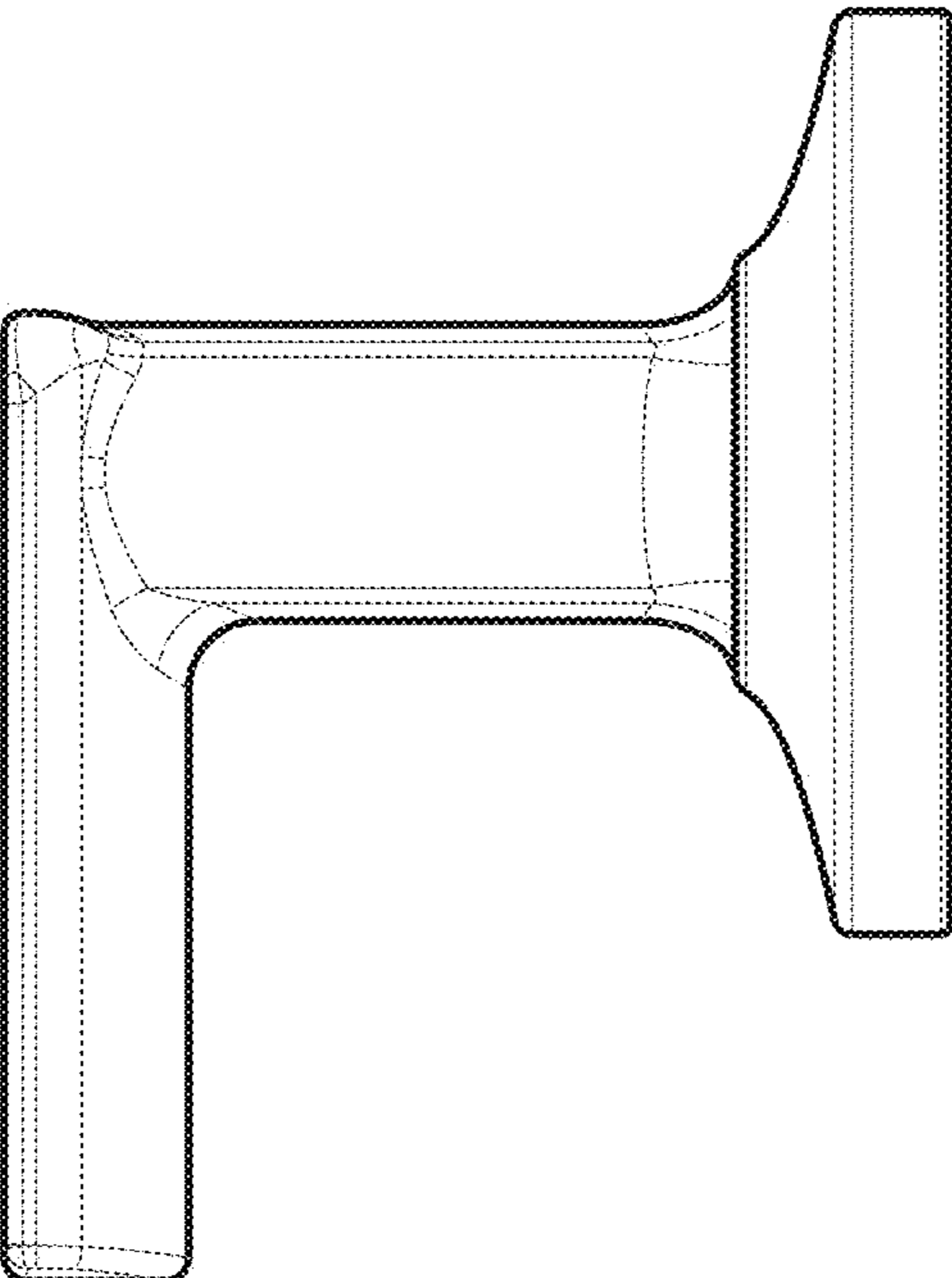


FIG-5

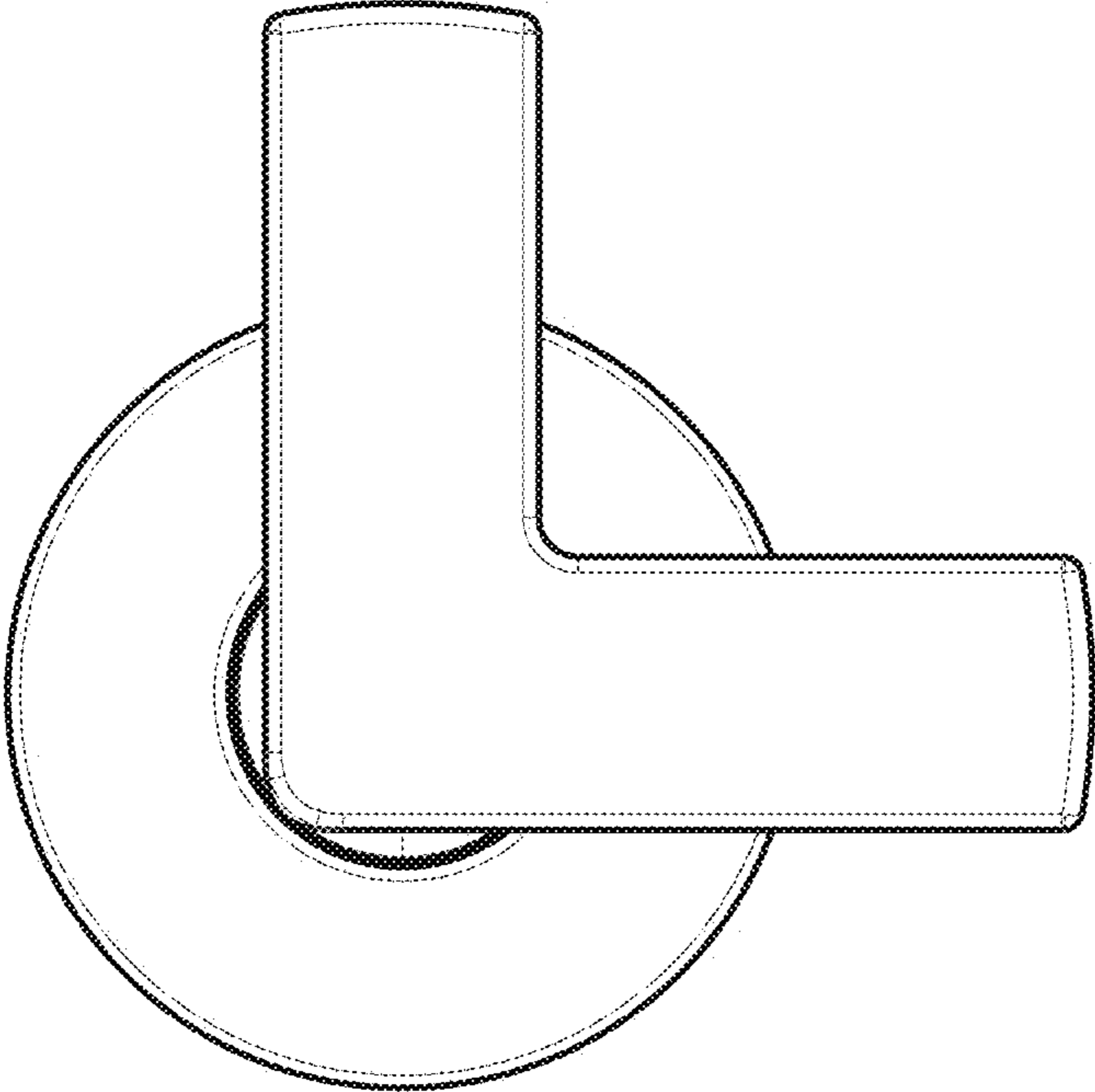


FIG-7