



US00D922532S

(12) **United States Design Patent** (10) **Patent No.:** **US D922,532 S**
Pan (45) **Date of Patent:** **** Jun. 15, 2021**

(54) **EXPOSED SHOWER FIXTURE**

(71) Applicant: **Na Pan**, Hangzhou (CN)

(72) Inventor: **Na Pan**, Hangzhou (CN)

(**) Term: **15 Years**

(21) Appl. No.: **29/771,182**

(22) Filed: **Feb. 19, 2021**

(51) **LOC (13) Cl.** **23-01**

(52) **U.S. Cl.**
USPC **D23/241; D23/228**

(58) **Field of Classification Search**
USPC D23/241-243, 249, 228
CPC F16K 19/006
See application file for complete search history.

(56) **References Cited**

U.S. PATENT DOCUMENTS

D291,912 S	9/1987	Fabian	
D385,333 S	10/1997	Caroen et al.	
D391,341 S	2/1998	Sutherland	
D405,877 S	2/1999	Larsson	
D429,322 S	8/2000	Haug et al.	
D445,172 S	7/2001	Slothower	
D466,981 S *	12/2002	Cosolito	D23/238
D559,949 S *	1/2008	Bickler	D23/228
D567,910 S *	4/2008	Shieh	D23/241
D585,113 S *	1/2009	Friedrich	D23/241
9,273,452 B2 *	3/2016	Wilson	E03C 1/0408
D754,288 S	4/2016	Bahler	
D768,821 S	10/2016	Flowers et al.	
9,550,196 B2 *	1/2017	Schulte	E03C 1/0408

D787,017 S	5/2017	Tseng et al.	
D787,635 S	5/2017	Tseng et al.	
D841,128 S	2/2019	Zhou	
10,245,610 B2 *	4/2019	Johnson	E03C 1/0409
10,352,025 B2 *	7/2019	Culmer	E03C 1/0409
D884,122 S *	5/2020	Seum	D23/228
2011/0214766 A1 *	9/2011	Hsieh	E03C 1/02 137/625
2021/0062485 A1 *	3/2021	Manga	E03C 1/0409

* cited by examiner

Primary Examiner — Robert A Delehanty

(74) *Attorney, Agent, or Firm* — Xiaofang Zhong; Law Office of Xiaofang Zhong, PLLC

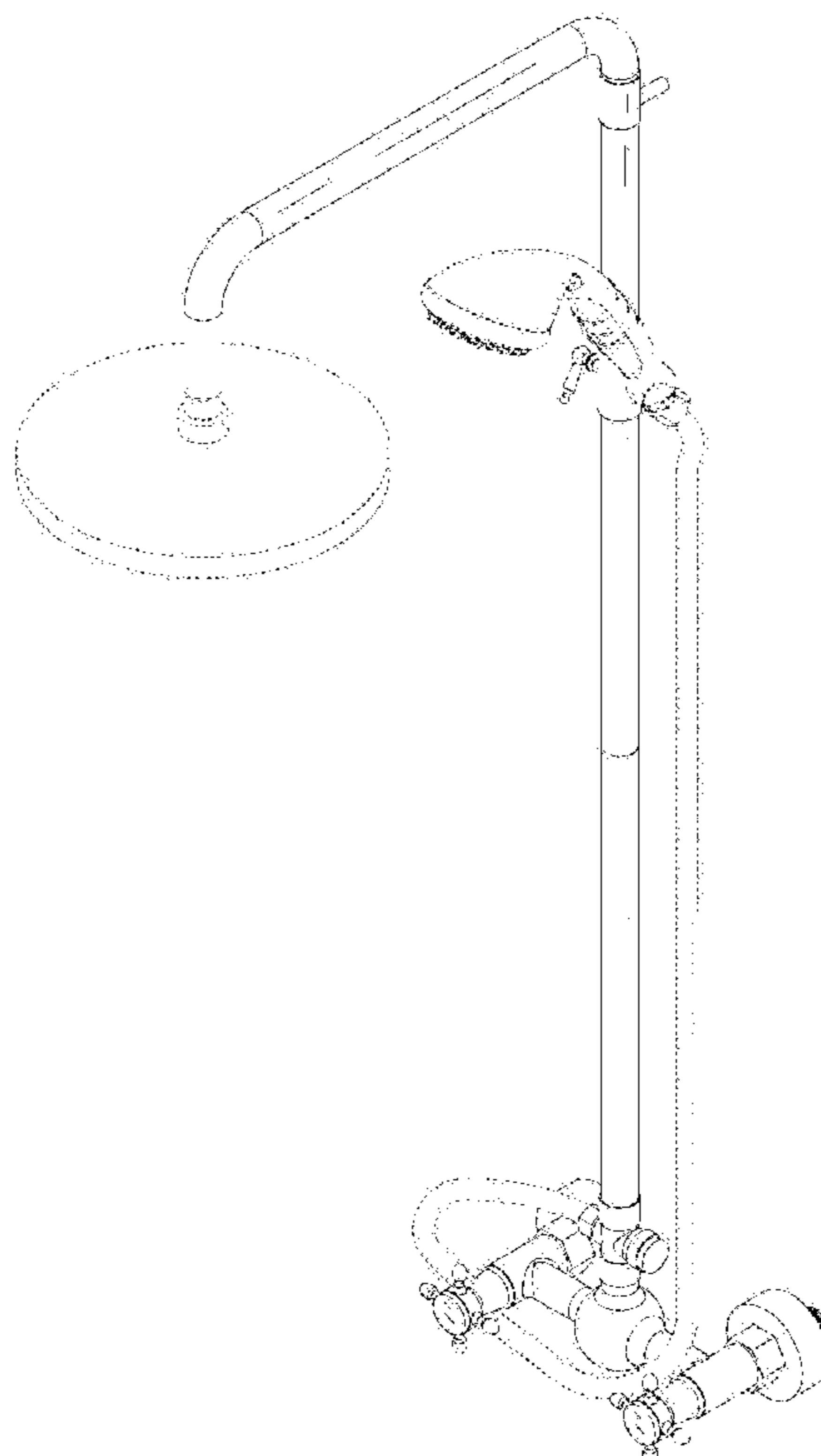
(57) **CLAIM**

The ornamental design for an exposed shower fixture, as shown and described.

DESCRIPTION

FIG. 1 is a perspective view of an exposed shower fixture showing my new design;
 FIG. 2 is a front elevational view thereof;
 FIG. 3 is a back elevational view thereof;
 FIG. 4 is a right-side elevational view thereof;
 FIG. 5 is a left-side elevational view thereof;
 FIG. 6 is a top plan view thereof;
 FIG. 7 is a bottom plan view thereof; and,
 FIG. 8 is another perspective view of the exposed shower fixture showing the shower pole comprises three pieces and the top piece is in an extended position thereof.
 The broken lines in the drawings depict part of the exposed shower fixture that form no part of the claimed design.

1 Claim, 8 Drawing Sheets



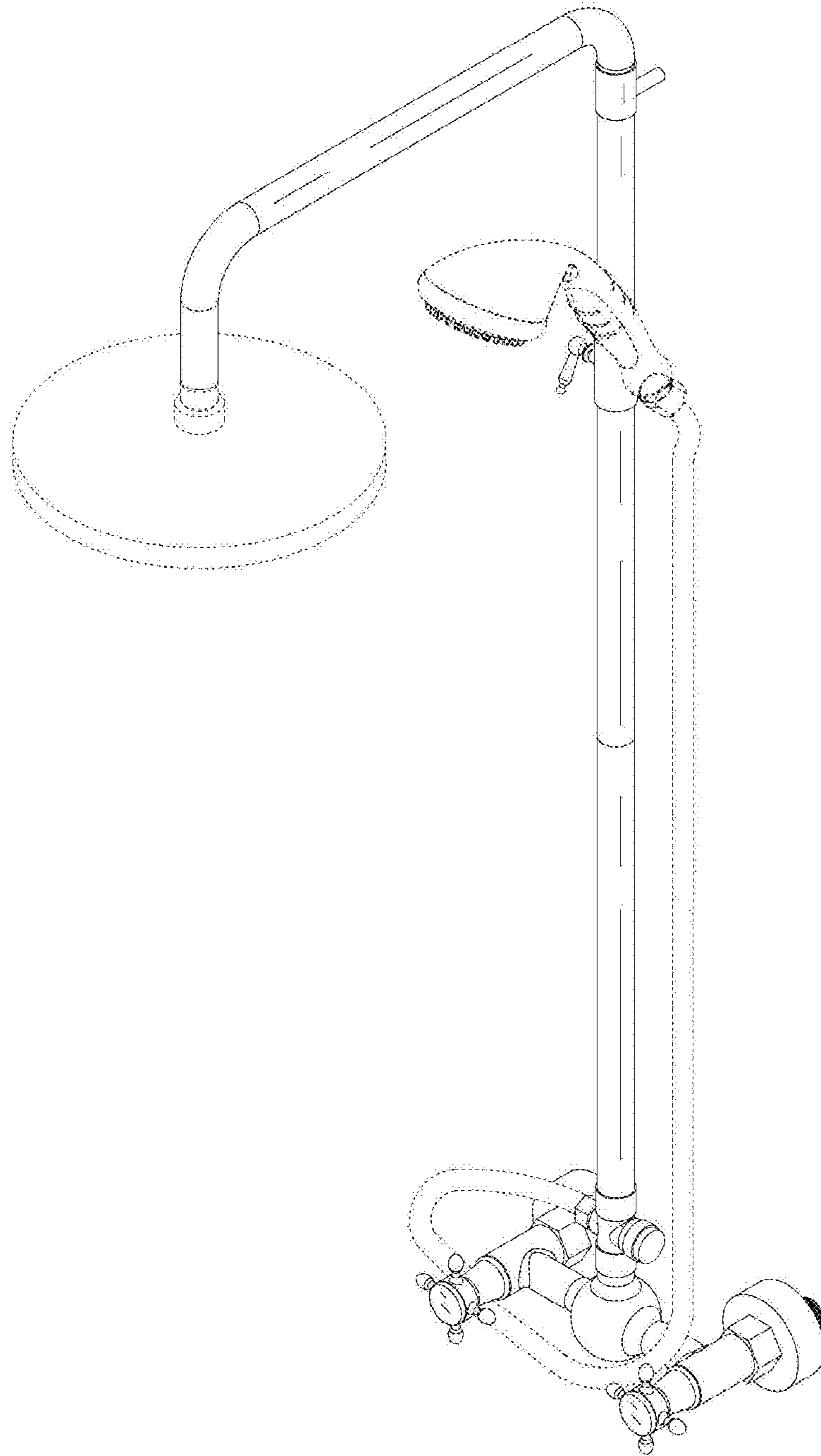


FIG. 1

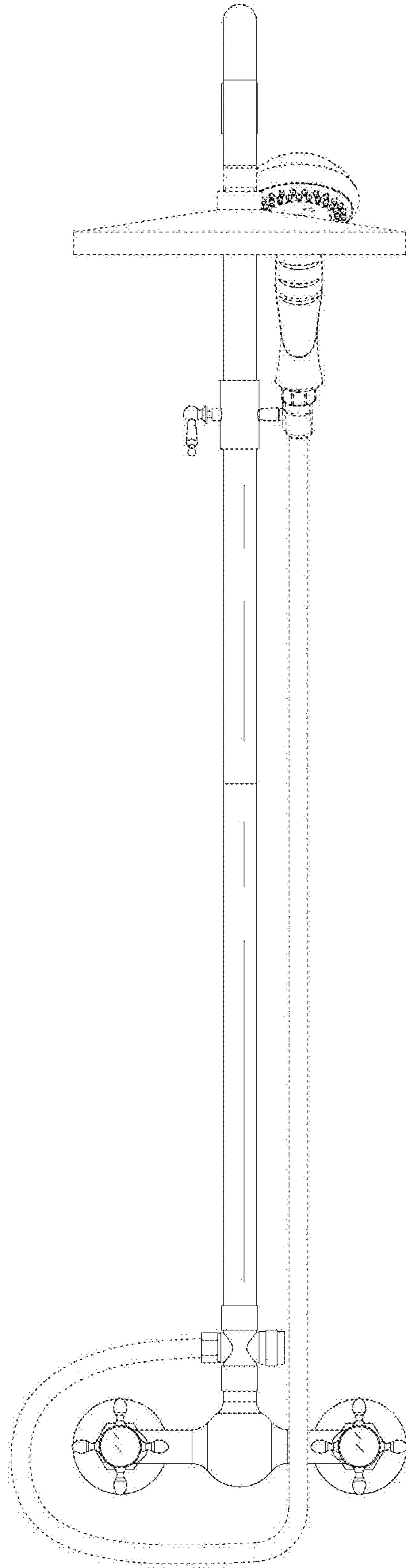


FIG. 2

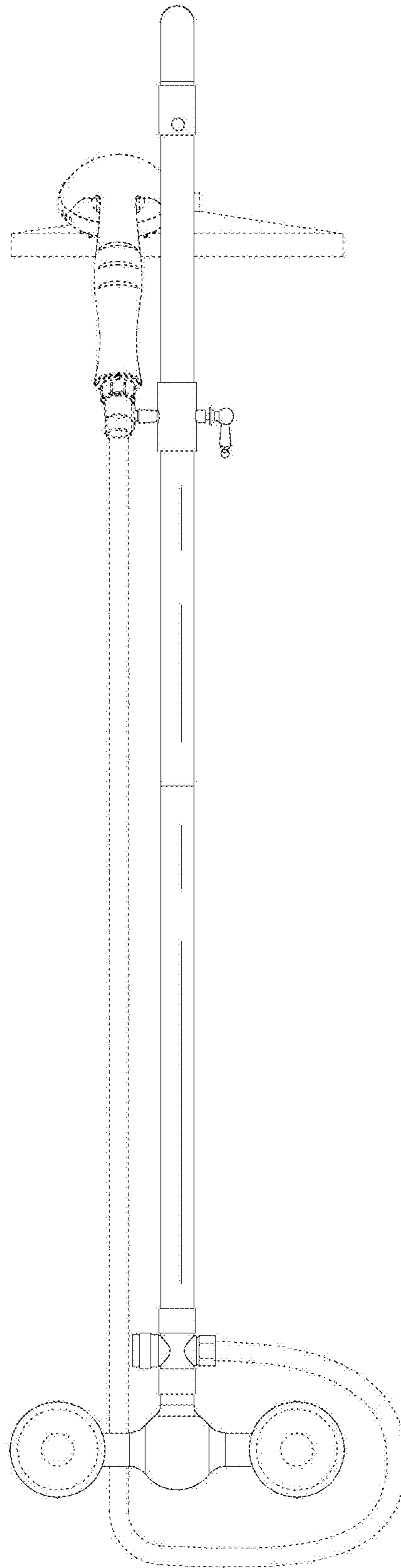


FIG. 3

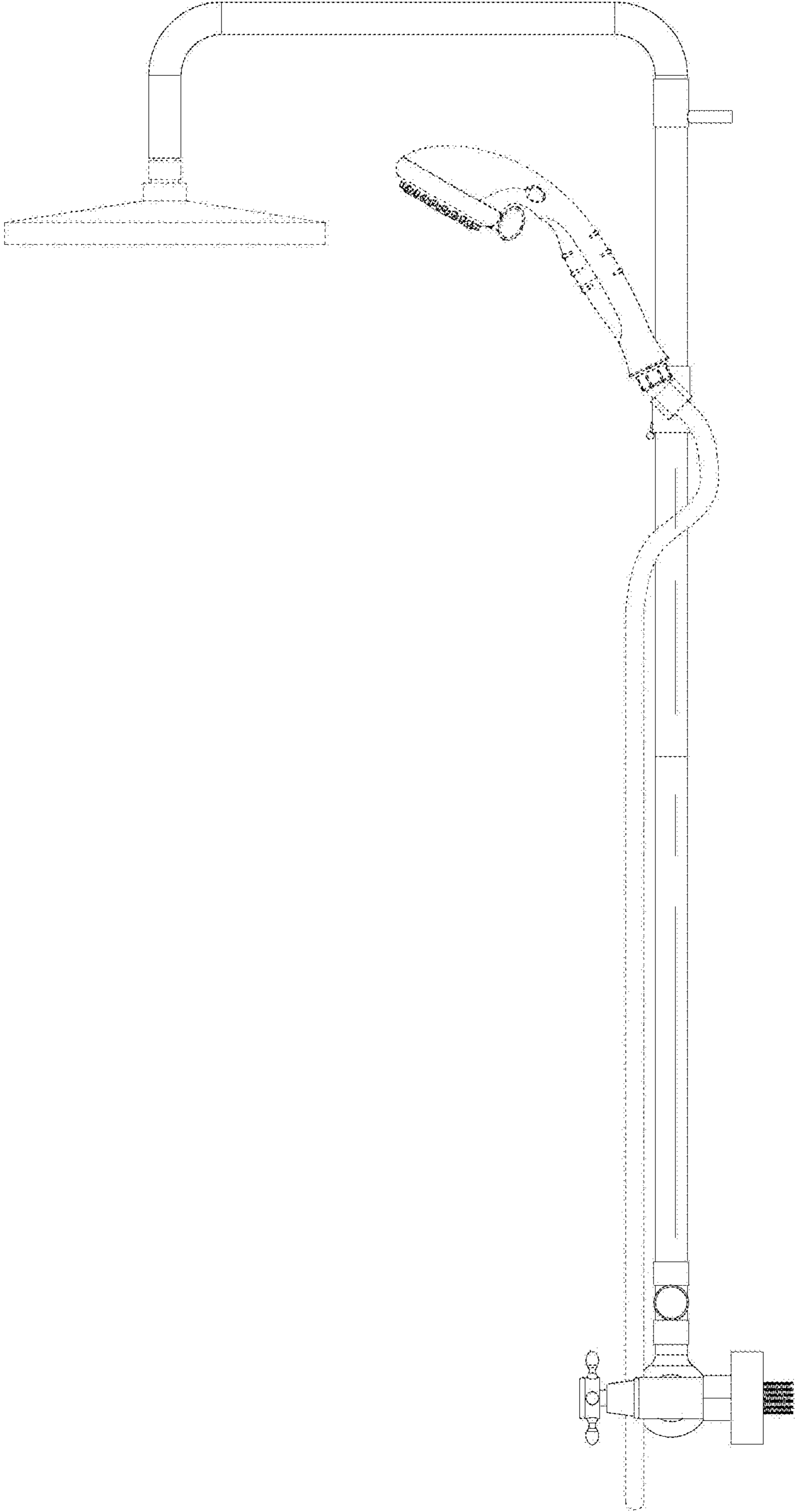


FIG. 4

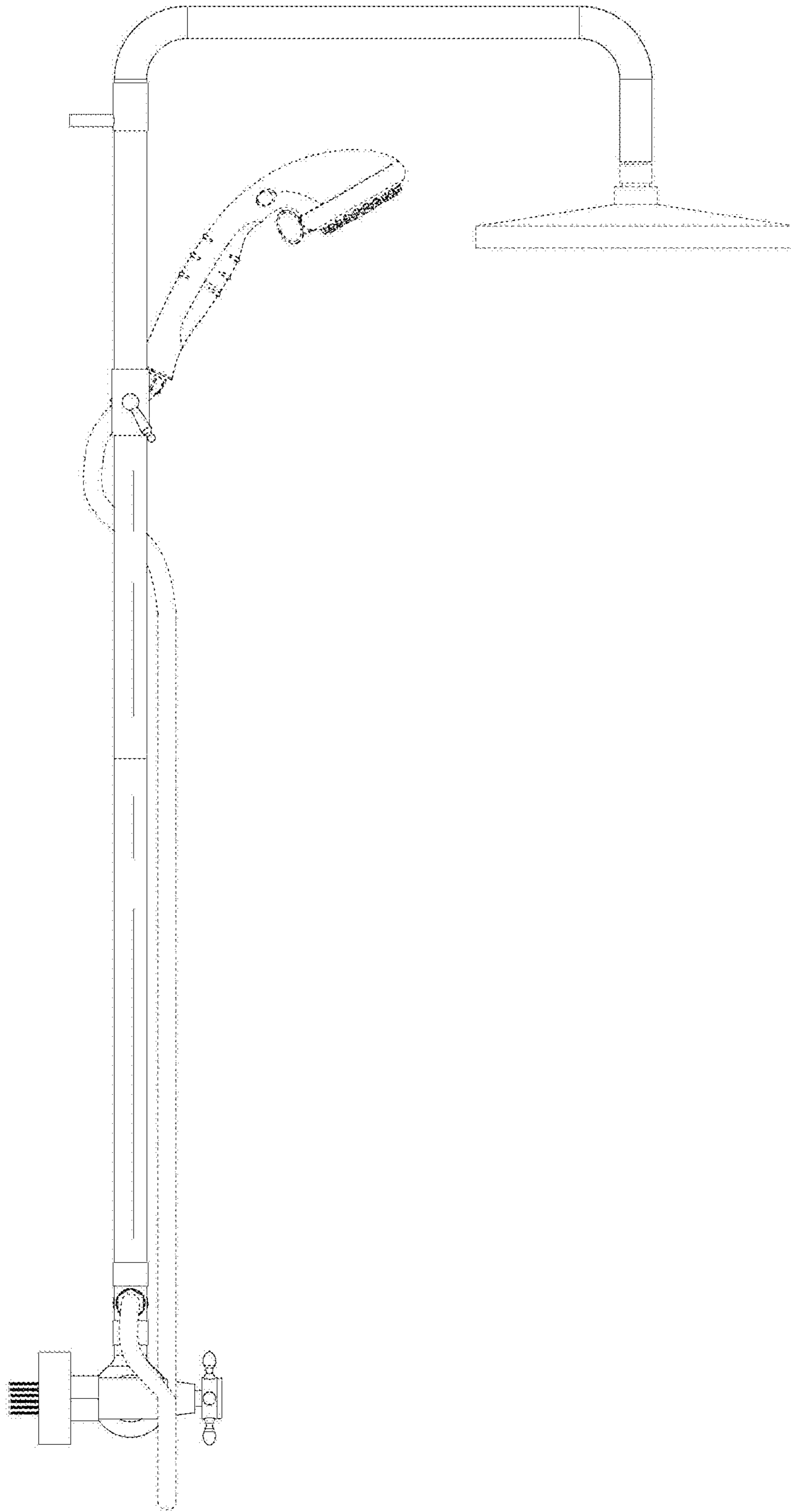


FIG. 5

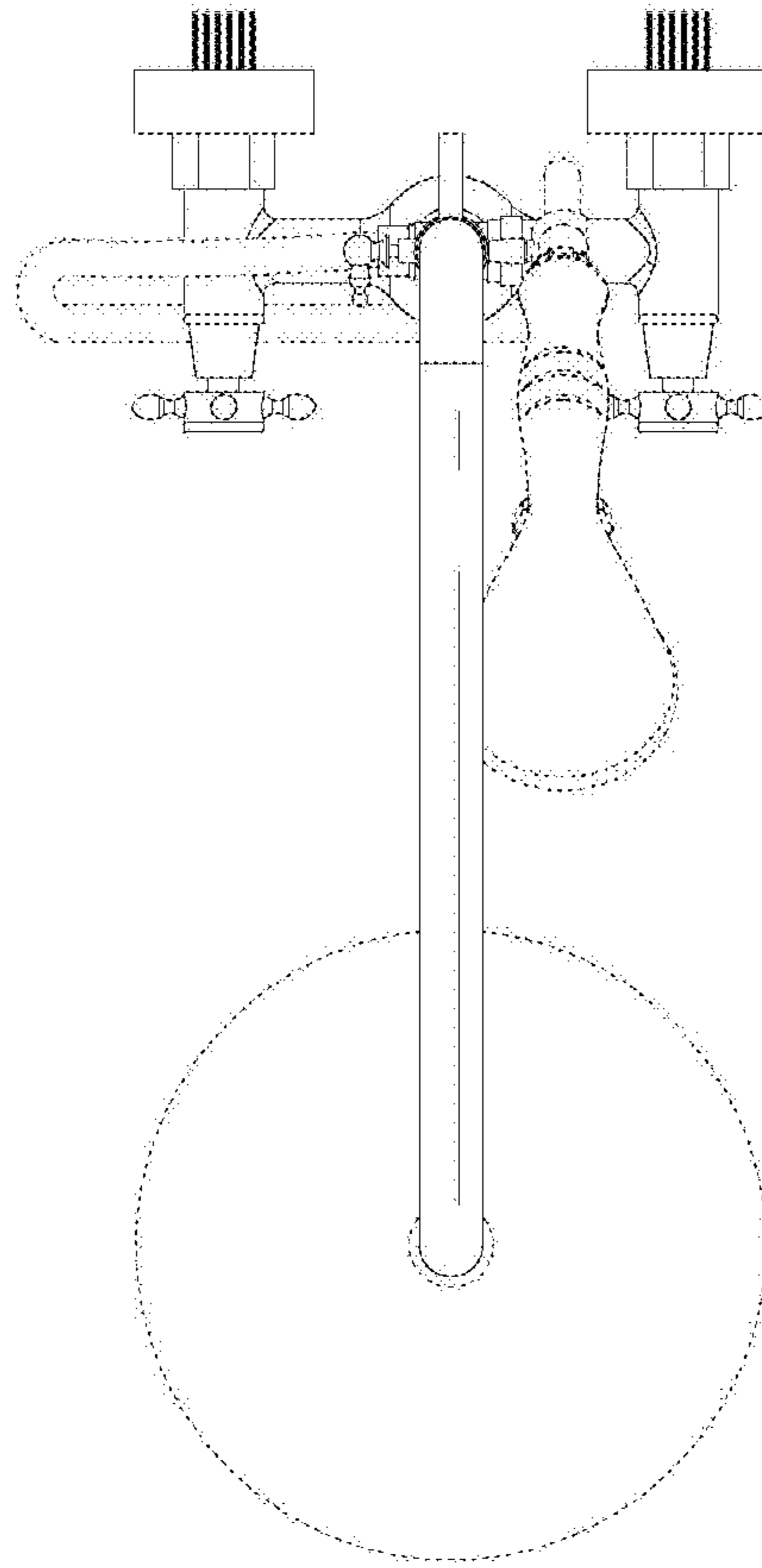


FIG. 6

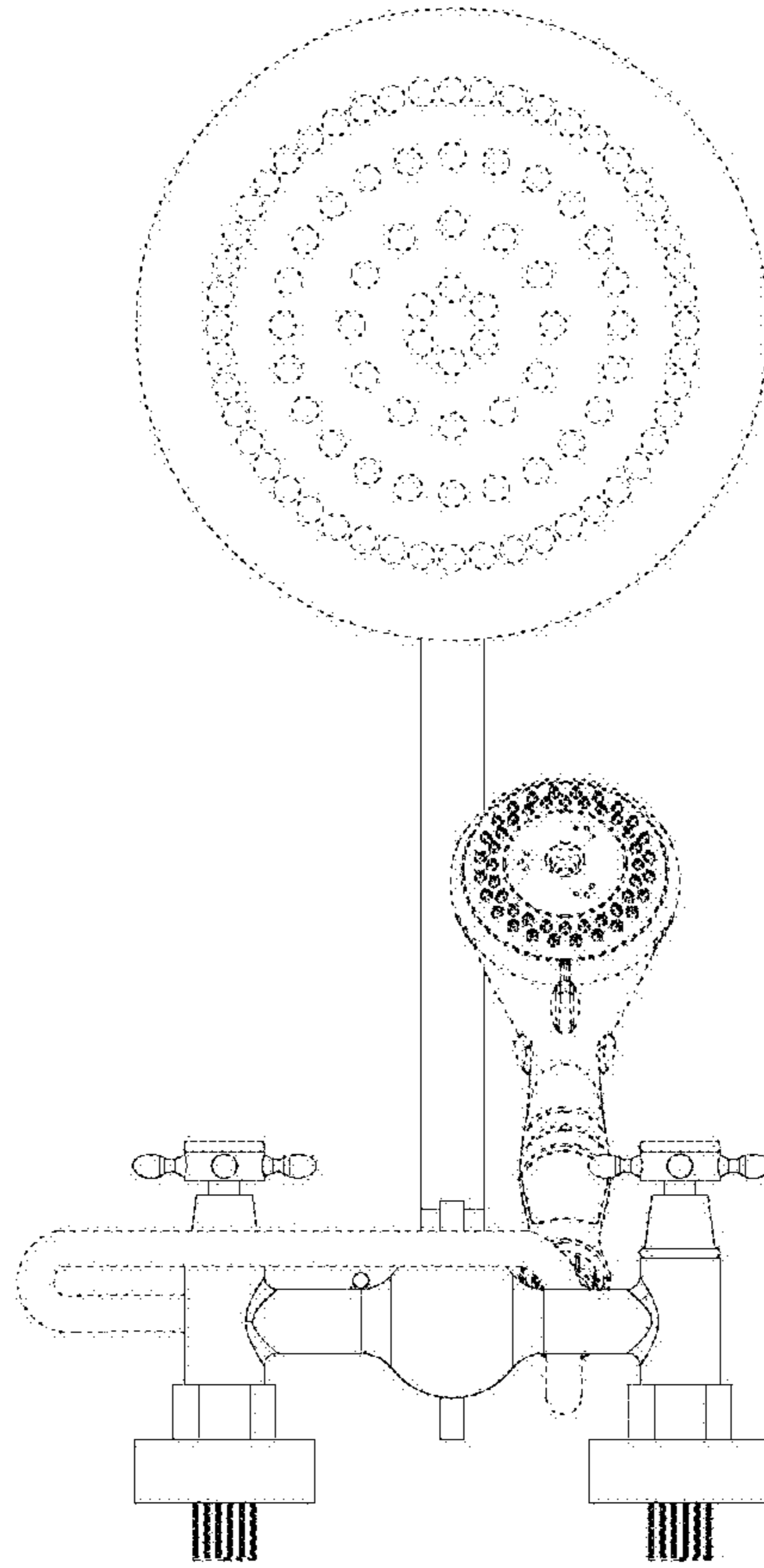


FIG. 7

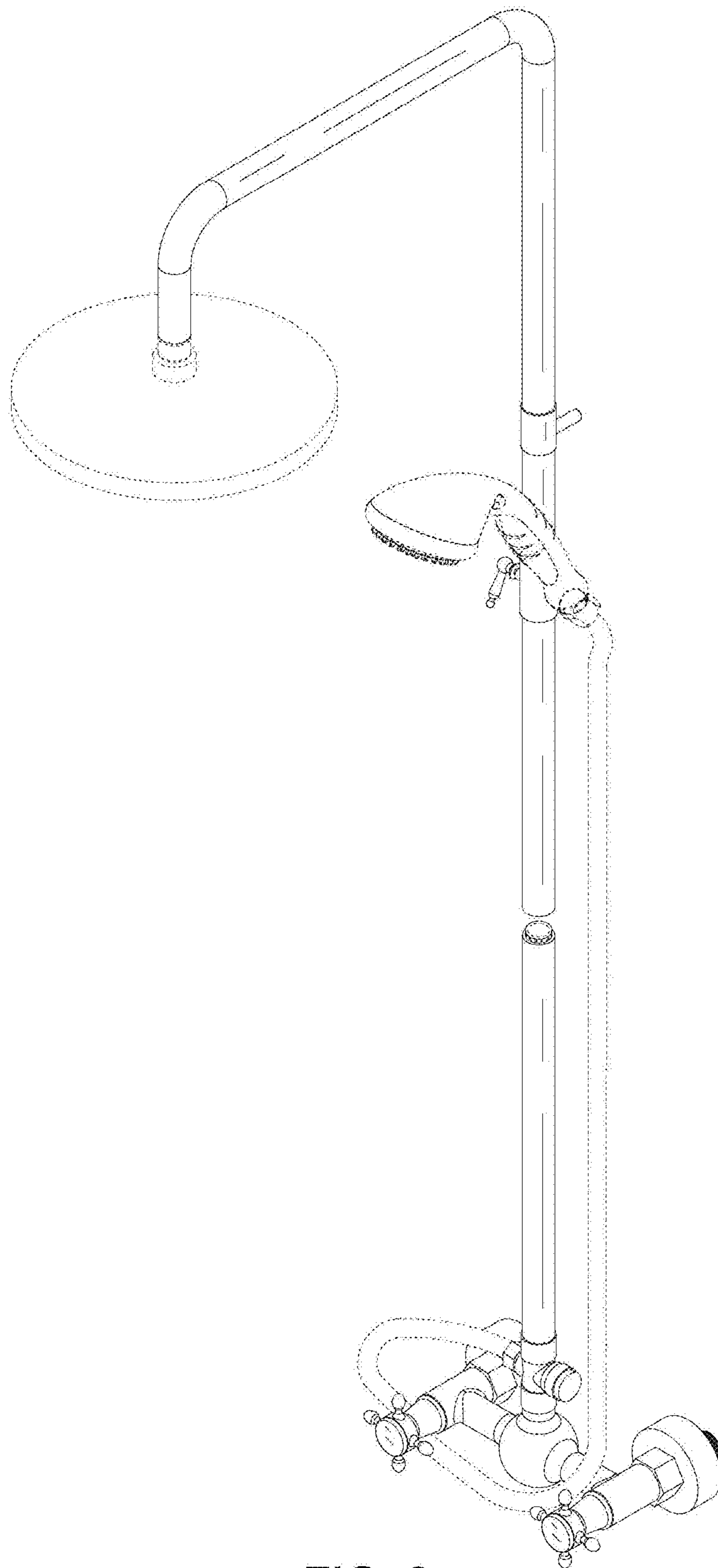


FIG. 8