



US00D922531S

(12) **United States Design Patent** (10) **Patent No.:** **US D922,531 S**
Stoler (45) **Date of Patent:** **** Jun. 15, 2021**

(54) **FAUCET**
(71) Applicant: **DELTA FAUCET COMPANY,**
Indianapolis, IN (US)
(72) Inventor: **Benjamin Stoler,** Carmel, IN (US)
(73) Assignee: **DELTA FAUCET COMPANY,**
Indianapolis, IN (US)
(**) Term: **15 Years**
(21) Appl. No.: **29/721,589**
(22) Filed: **Jan. 22, 2020**
(51) **LOC (13) Cl.** **23-01**
(52) **U.S. Cl.**
USPC **D23/238**
(58) **Field of Classification Search**
USPC D23/238-244, 252, 254-255, 257;
D8/307-308
CPC F16K 31/602; F16K 31/605; F16K 31/607;
E03C 1/0412
See application file for complete search history.

D873,960 S * 1/2020 Fritz D23/238
D875,215 S * 2/2020 Bahler D23/238
D875,218 S * 2/2020 Chen D23/255
D890,302 S * 7/2020 Chen D23/238

FOREIGN PATENT DOCUMENTS

CN 304817718 * 8/2018

OTHER PUBLICATIONS

Moen S53004 Weymouth Shepherd's Hook Pulldown Kitchen Bar
Faucet Featuring Metal Wand with Power Clean, announced Dec.
17, 2018[online], [site visited Feb. 9, 2021]. Available from internet,
URL:<<https://www.amazon.com/Moen-S53004NL-Weymouth-Shepherds-Featuring/dp/B07PZDPK11?th=1>> (Year: 2018).*

* cited by examiner

Primary Examiner — Barbara Fox
Assistant Examiner — Jamaal Rasheed
(74) *Attorney, Agent, or Firm* — Nirav D. Parikh; Edgar
A. Zarins

(56) **References Cited**

U.S. PATENT DOCUMENTS

D610,653 S * 2/2010 Schoenherr D23/238
D807,476 S * 1/2018 Haug D23/238
D822,170 S * 7/2018 Haug D23/238
D835,236 S * 12/2018 Ziemann D23/238
D849,201 S * 5/2019 Zhang D23/238
D862,651 S * 10/2019 Zeng D23/238
D867,534 S * 11/2019 Lazarini D23/238
D868,211 S * 11/2019 Garland D23/238
D868,938 S * 12/2019 Tentler D23/238
D868,939 S * 12/2019 Bahler D23/238
D869,610 S * 12/2019 Garland D23/238
D872,234 S * 1/2020 Staler D23/238
D872,240 S * 1/2020 Bahler D23/255
D873,380 S * 1/2020 Judge D23/238

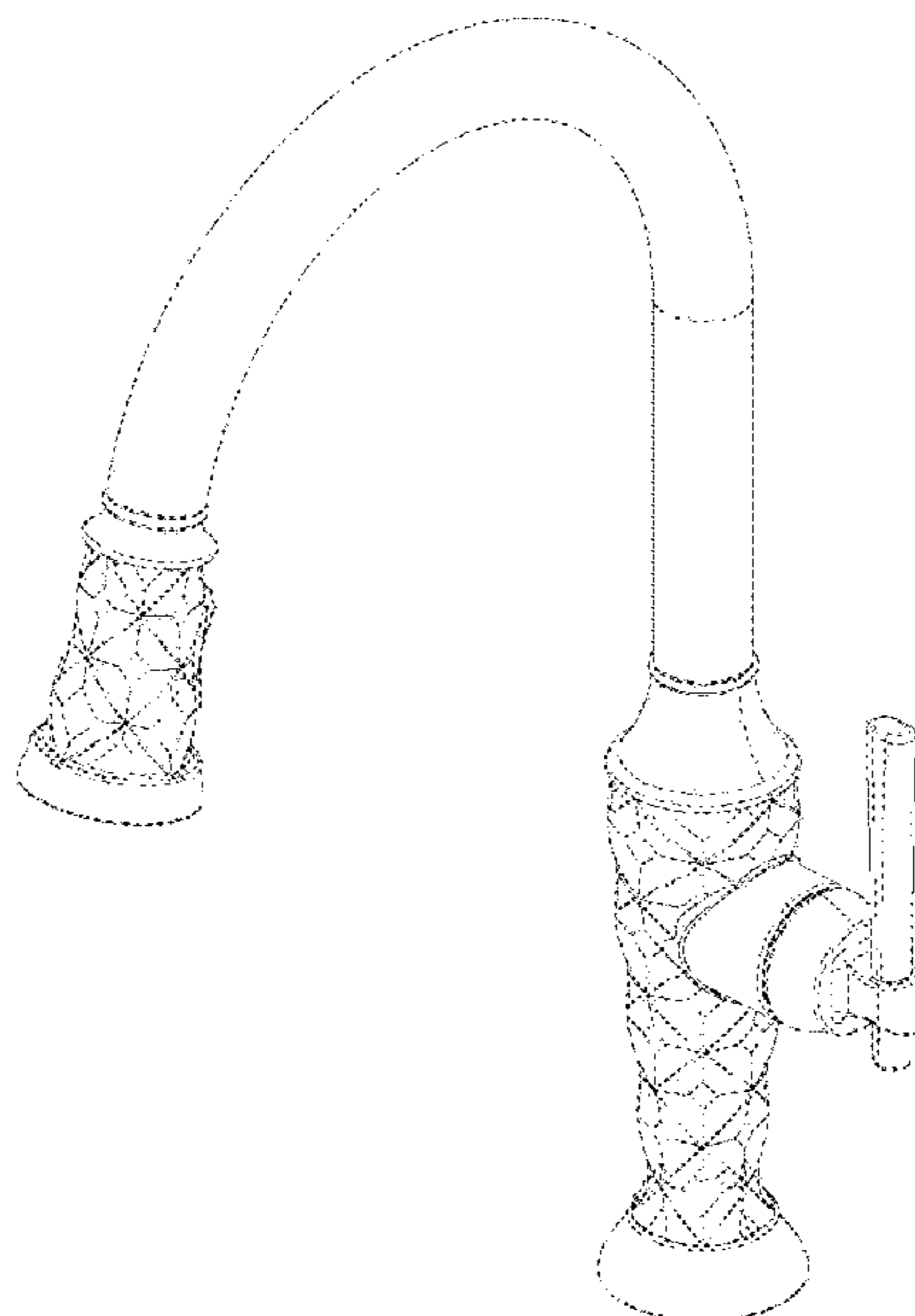
(57) **CLAIM**

The ornamental design for a faucet, as shown and described.

DESCRIPTION

FIG. 1 is a front perspective view of a faucet showing my
new design;
FIG. 2 is a rear perspective view thereof;
FIG. 3 is a front elevational view thereof;
FIG. 4 is a left side view thereof;
FIG. 5 is a rear view thereof;
FIG. 6 is a right side view thereof;
FIG. 7 is a top plan view thereof; and,
FIG. 8 is a bottom view thereof.

1 Claim, 4 Drawing Sheets



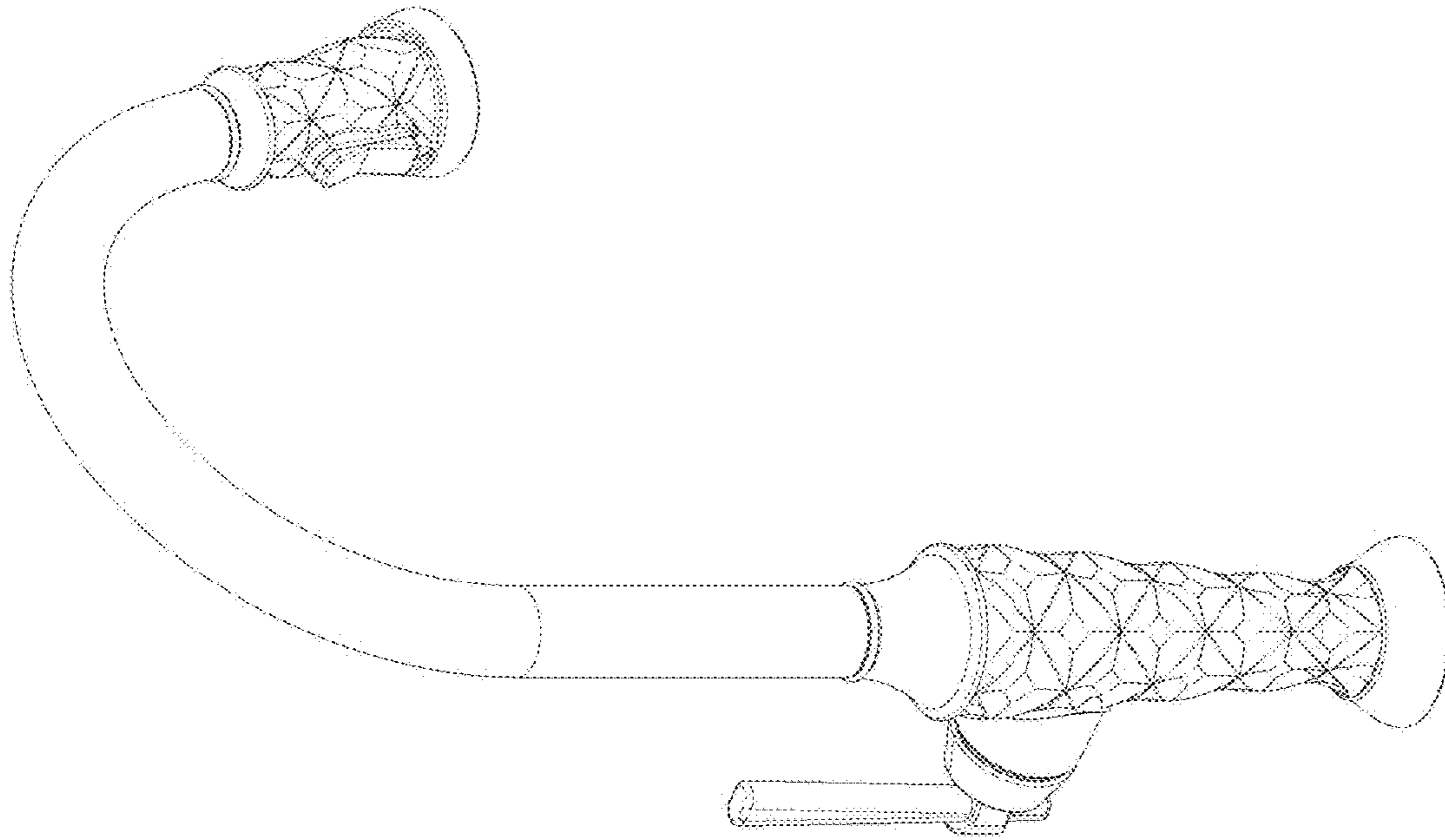


FIG - 2

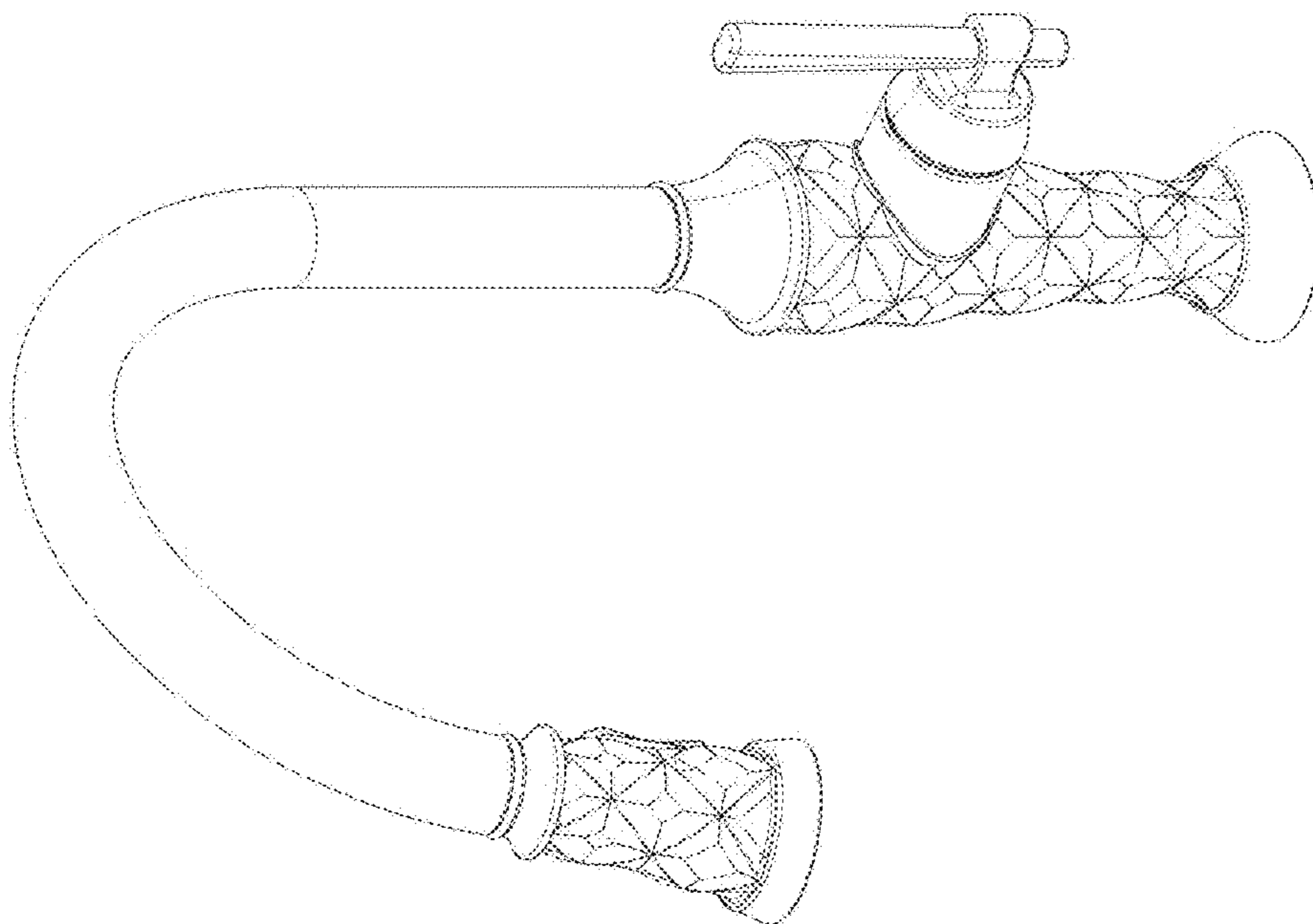


FIG - 1

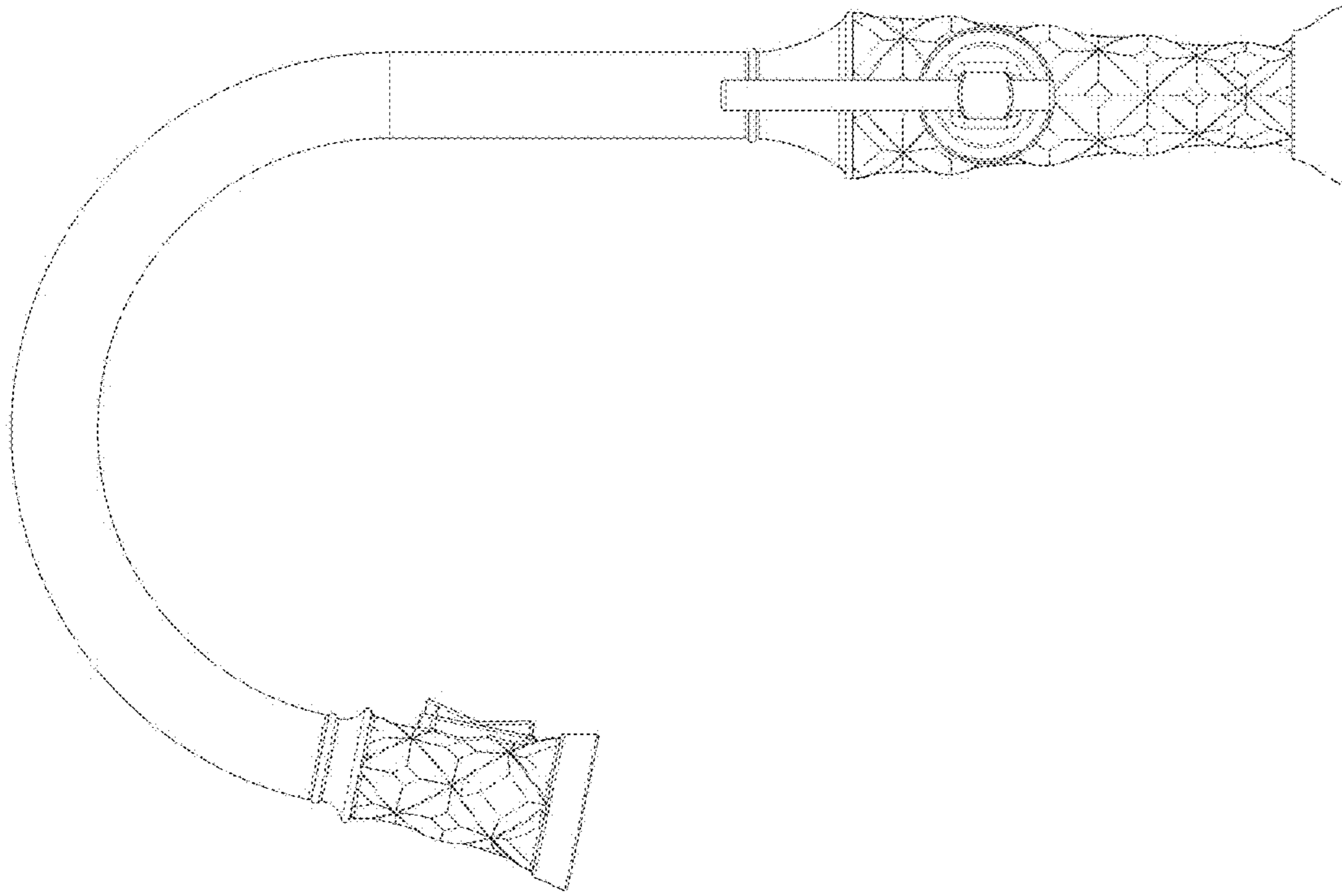


FIG. 4

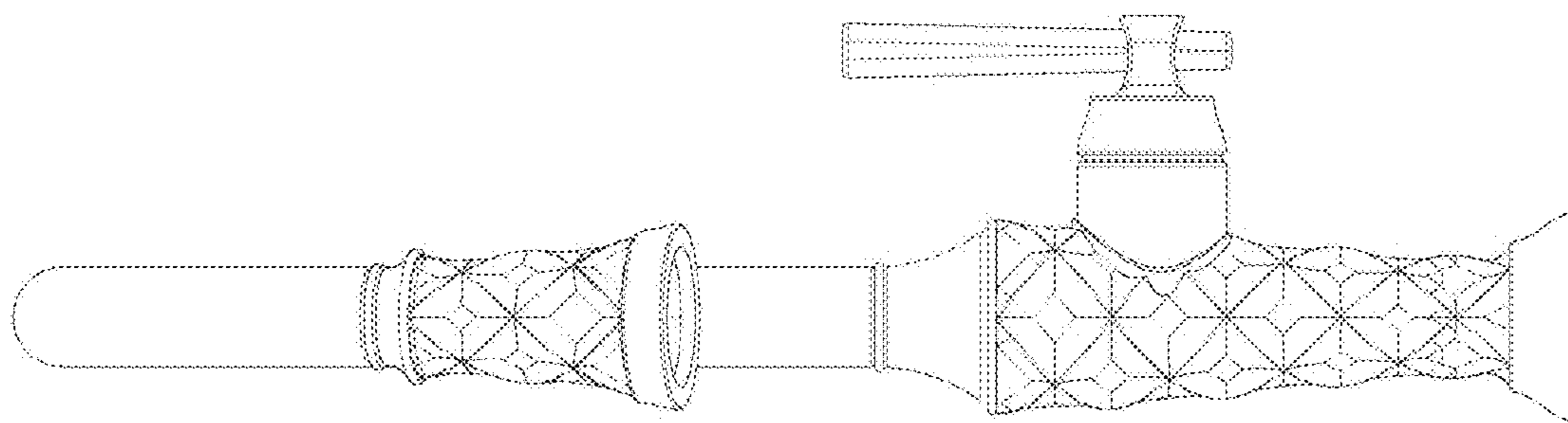


FIG. 3

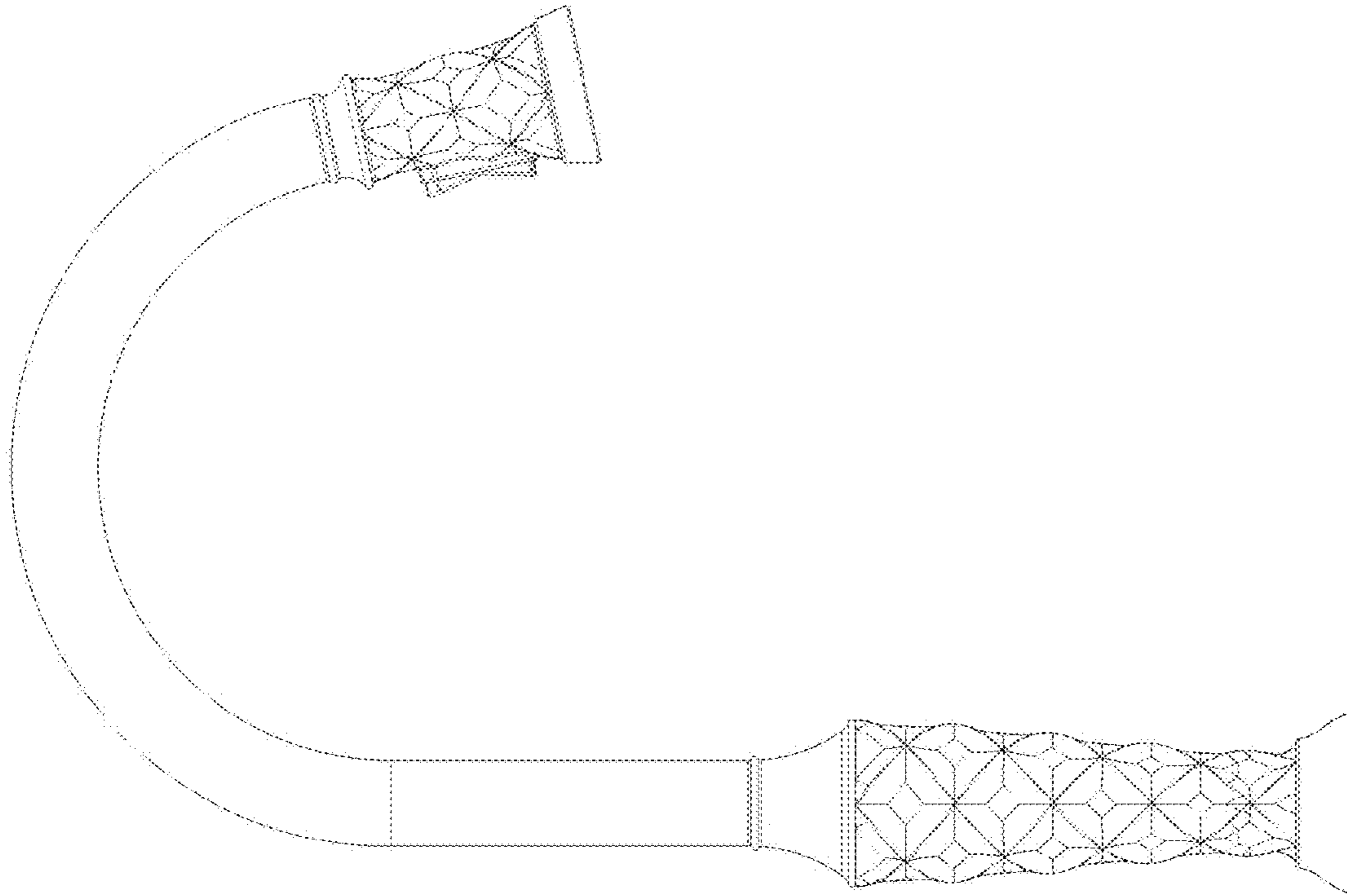


FIG. 6

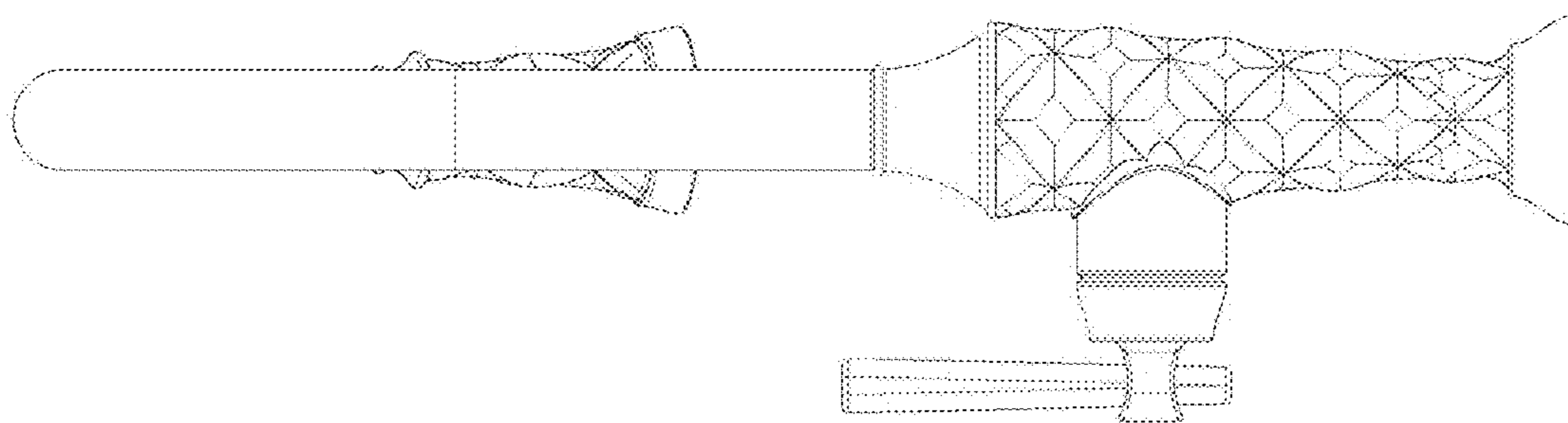


FIG. 5



FIG - 8



FIG - 7