



US00D922529S

(12) **United States Design Patent** (10) **Patent No.:** **US D922,529 S**
Ando (45) **Date of Patent:** **** Jun. 15, 2021**

(54) **FAUCET**
(71) Applicant: **LIXIL Corporation**, Tokyo (JP)
(72) Inventor: **Yoshihiko Ando**, Tokyo (JP)
(73) Assignee: **LIXIL Corporation**, Tokyo (JP)
(**) Term: **15 Years**

D767,725 S * 9/2016 Eads D23/238
D773,612 S * 12/2016 Flowers D23/238
D809,104 S * 1/2018 Schoenherr D23/238
D828,501 S * 9/2018 Schoenherr D23/238
D828,514 S * 9/2018 Ryu D23/238
D828,520 S * 9/2018 Ryu D23/255
D857,168 S * 8/2019 Soulier D23/238
10,400,429 B2 * 9/2019 Eads E03C 1/0404
D889,608 S * 7/2020 Bucher D23/255
2020/0172995 A1 * 6/2020 Romanowski B22F 1/0011

(21) Appl. No.: **29/703,763**
(22) Filed: **Aug. 29, 2019**

OTHER PUBLICATIONS

INAX Basin Mixer reference [Sep. 21, 2020] found online [Sep. 21, 2020]—<https://www.inax.com/products/s600-line/>.*

(30) **Foreign Application Priority Data**

* cited by examiner

Mar. 28, 2019 (JP) 2019-006607

Primary Examiner — John A Voytek

(51) **LOC (13) Cl.** **23-01**

(74) *Attorney, Agent, or Firm* — Sughrue Mion, PLLC

(52) **U.S. Cl.**

USPC **D23/238**

(57) **CLAIM**

(58) **Field of Classification Search**

The ornamental design for a faucet, as shown and described.

USPC D23/238, 239, 240, 241, 242, 243, 249,
D23/250, 255, 256, 257; D6/524

DESCRIPTION

CPC E03C 1/04; E03C 1/0401; E03C 1/0402;
E03C 1/0404; E03C 1/0405; E03C
1/0412; Y10T 137/9464

See application file for complete search history.

FIG. 1 is a perspective view of a faucet.
FIG. 2 is a top plan view thereof.
FIG. 3 is a bottom plan view thereof.
FIG. 4 is a front elevation view thereof.
FIG. 5 is a rear elevation view thereof.
FIG. 6 is a right side elevation view thereof.
FIG. 7 is a left side elevation view thereof.
FIG. 8 is an enlarged view of a part 8-8' shown in FIG. 2;
and,
FIG. 9 is an enlarged view of a part 9-9' shown in FIG. 3.
The broken lines shown in the drawings illustrate portions of
the faucet that form no part of the claimed design.

(56) **References Cited**

U.S. PATENT DOCUMENTS

D203,244 S * 12/1965 Bilkiss D23/255
D353,650 S * 12/1994 Haug D23/238
D403,745 S * 1/1999 Lobermeier D23/238
D643,512 S * 8/2011 Matsuura D23/238
D643,909 S * 8/2011 Flowers D23/238
D649,223 S * 11/2011 Lobermeier D23/238
D659,800 S * 5/2012 Flowers D23/241
D693,904 S * 11/2013 Hahn D23/238

1 Claim, 9 Drawing Sheets



FIG. 1



FIG. 2

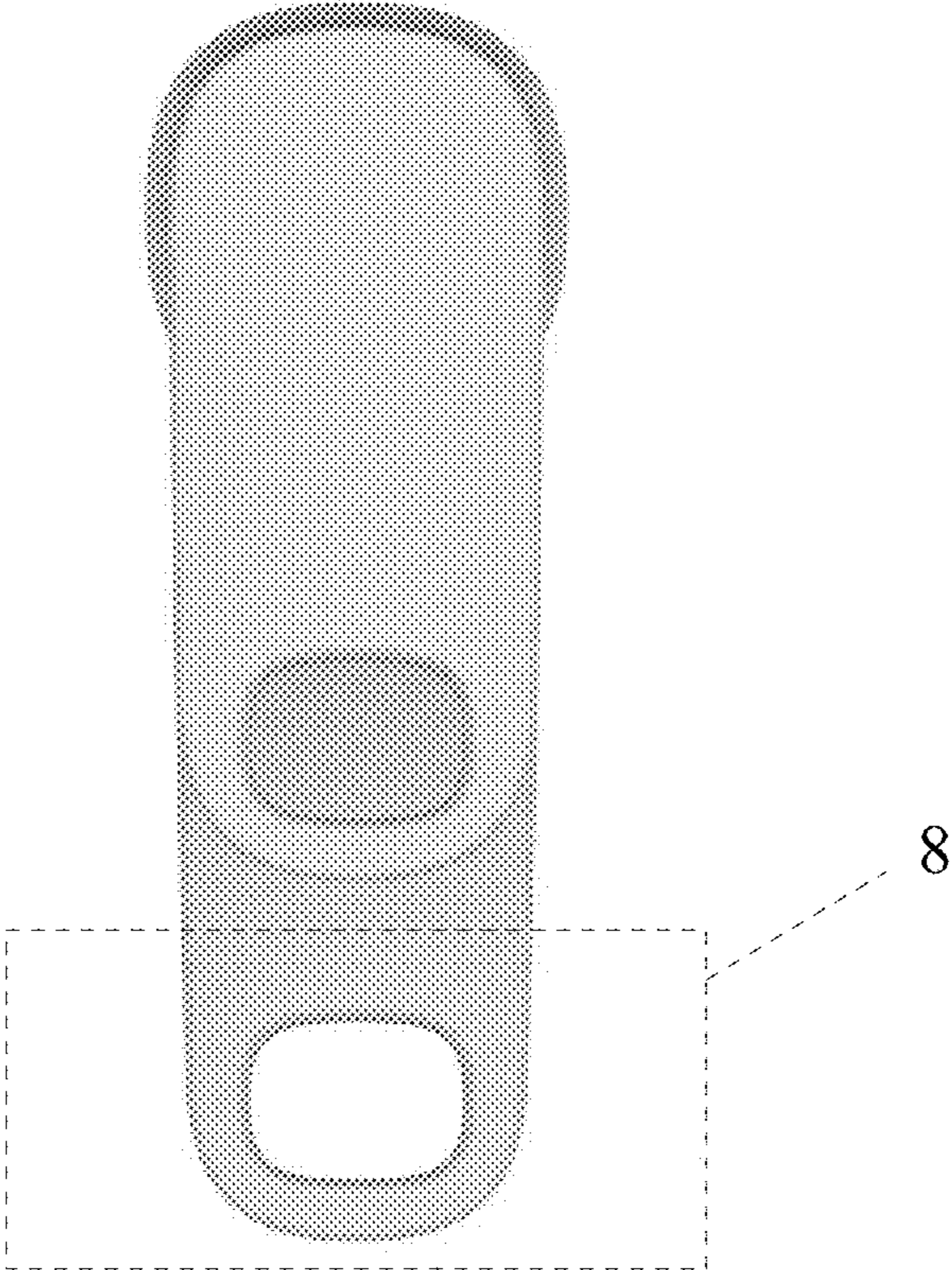


FIG. 3

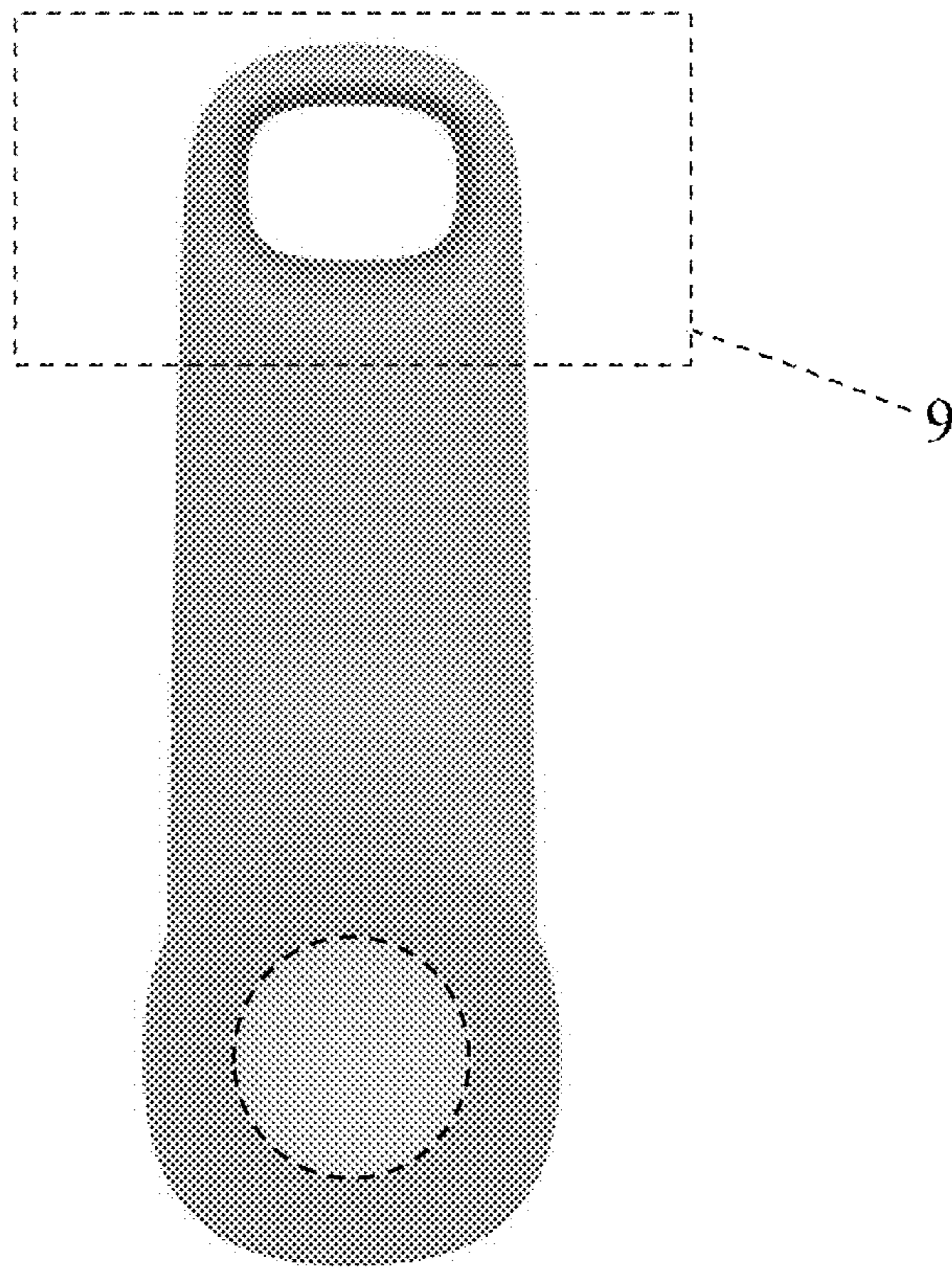


FIG. 4

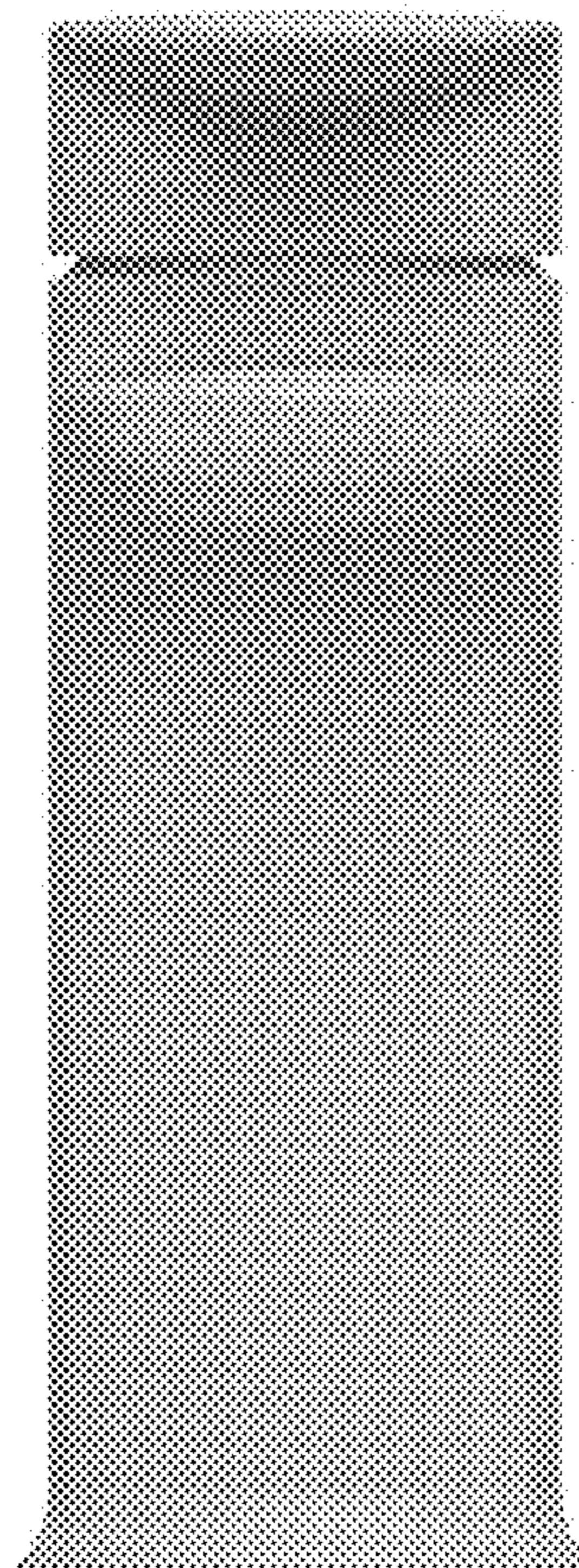


FIG. 5

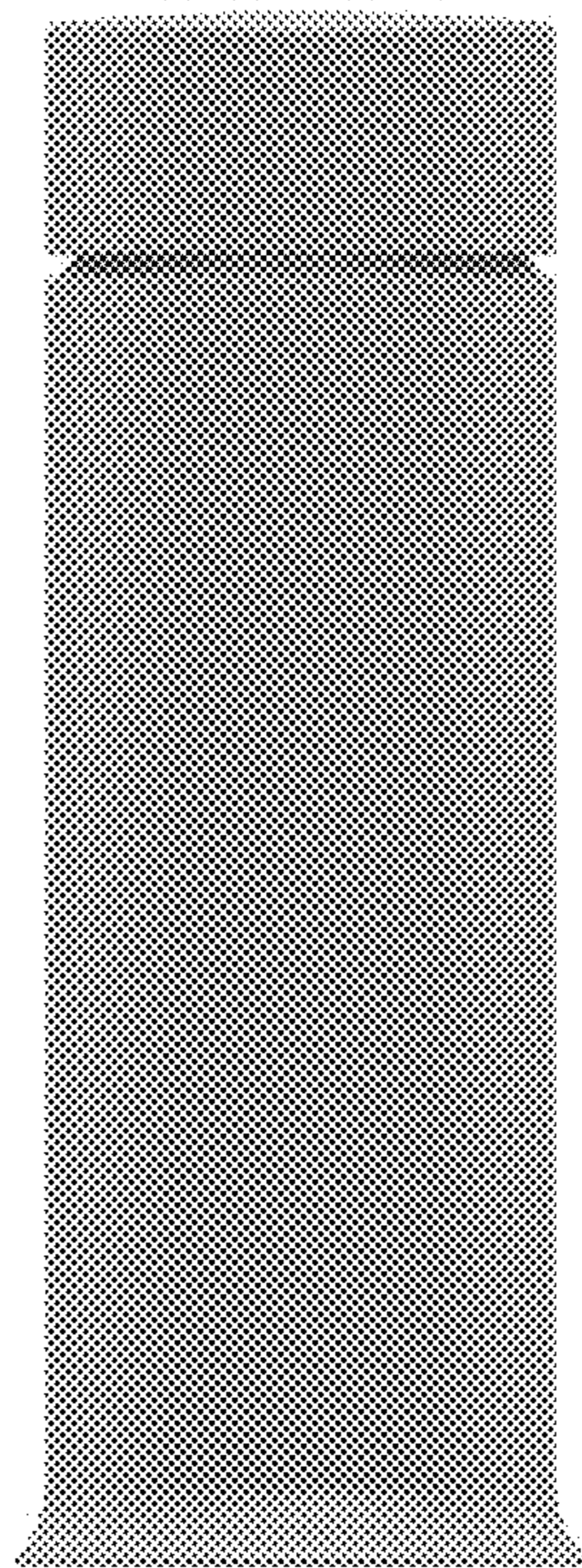


FIG. 6

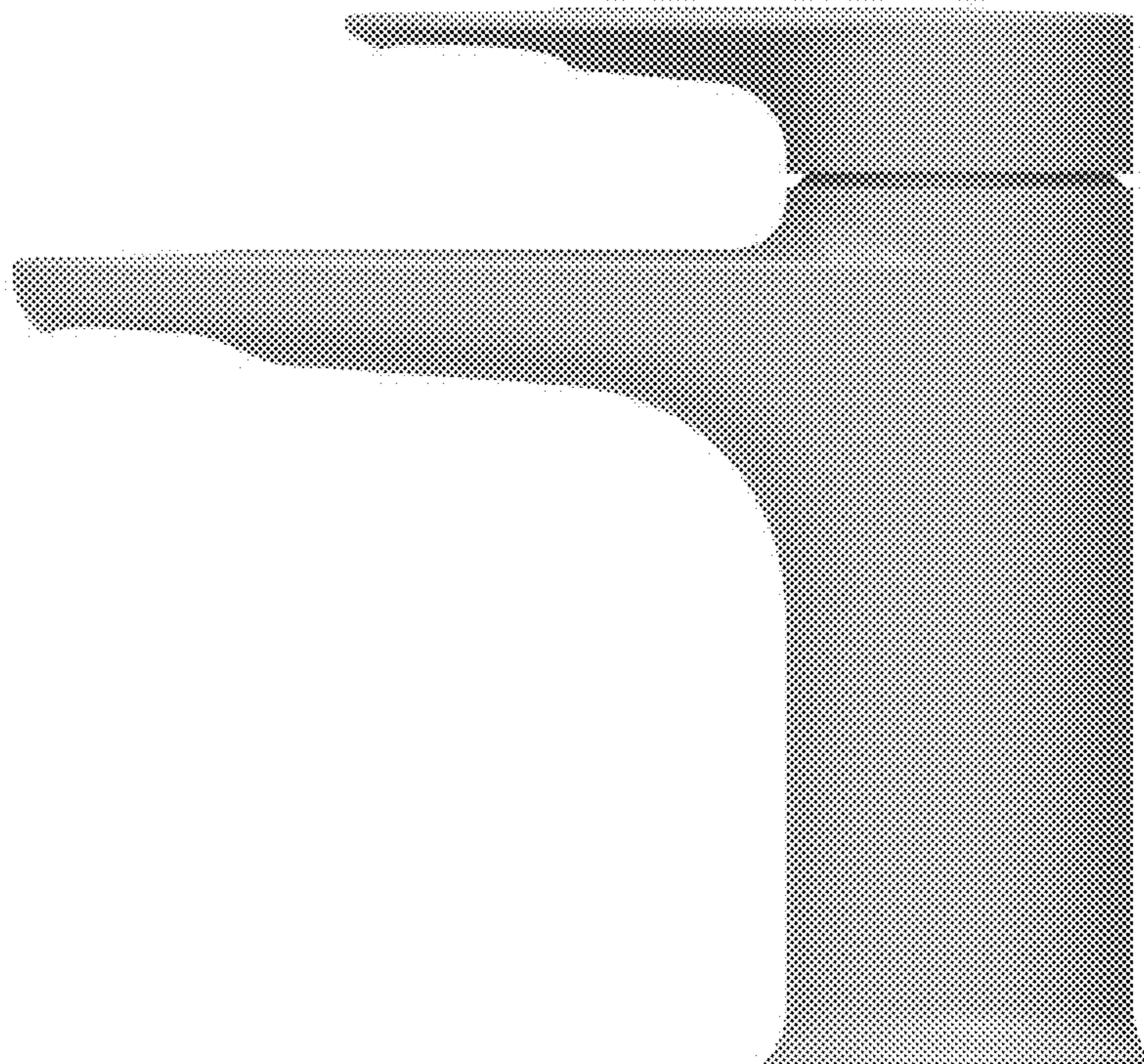


FIG. 7

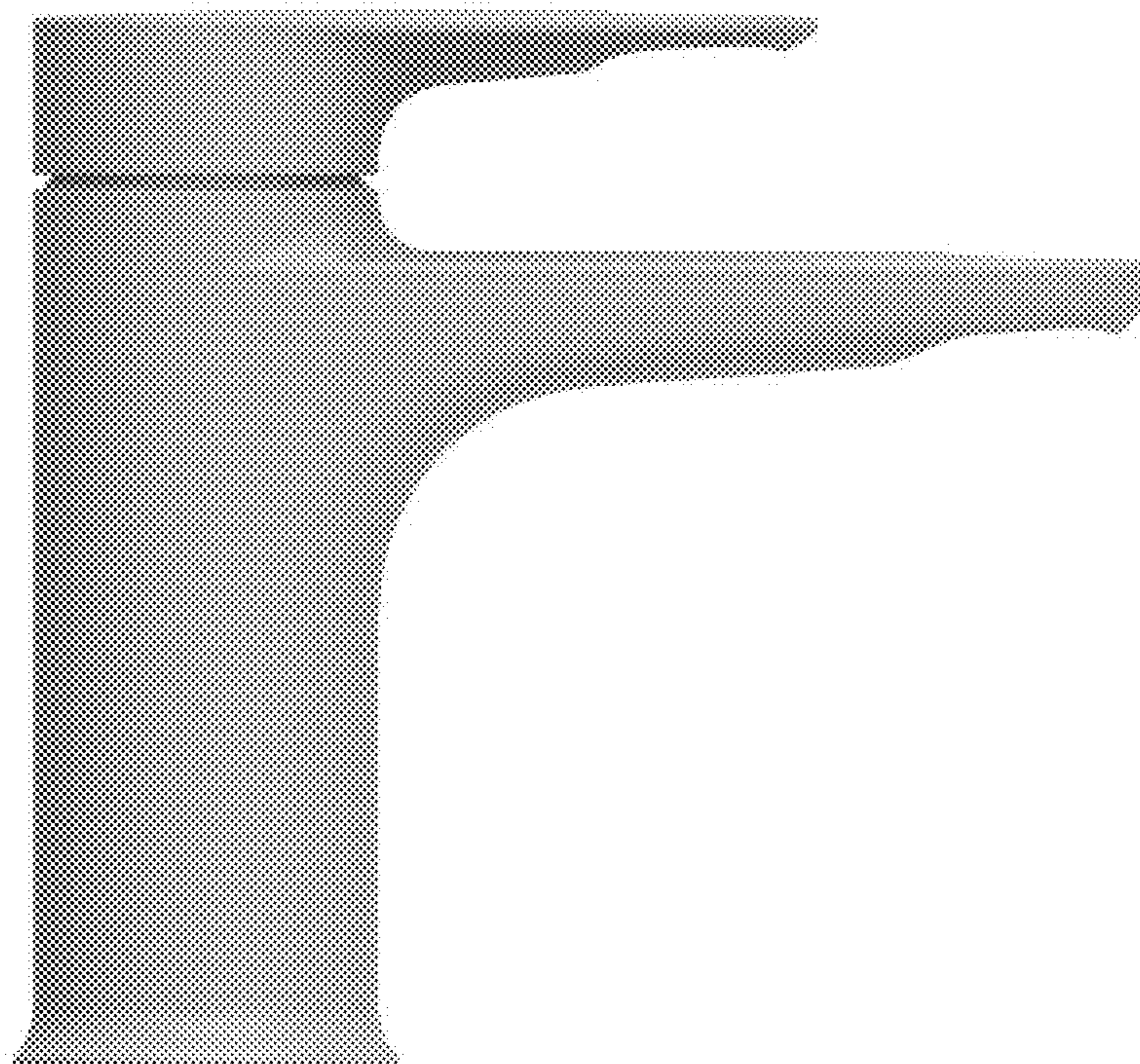


FIG. 8

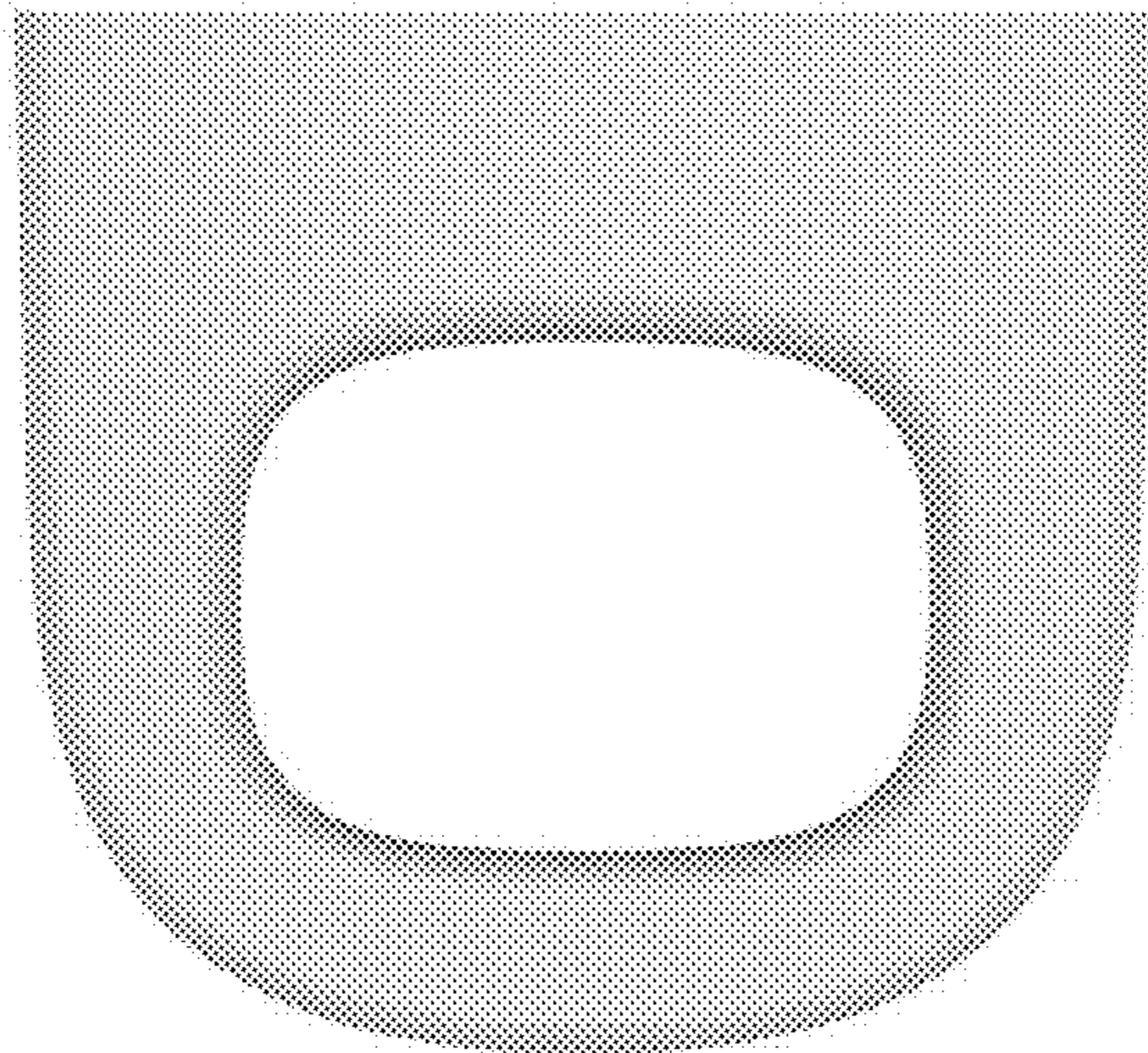


FIG. 9

