



US00D922525S

(12) **United States Design Patent**  
**Urry**

(10) **Patent No.:** **US D922,525 S**  
(45) **Date of Patent:** **\*\* Jun. 15, 2021**

(54) **WATERING WAND**

(71) Applicant: **Orbit Irrigation Products, LLC**, North Salt Lake, UT (US)

(72) Inventor: **Andrew Mark Urry**, Riverton, UT (US)

(73) Assignee: **Orbit Irrigation Products, LLC**, North Salt Lake, UT (US)

(\*\*) Term: **15 Years**

(21) Appl. No.: **29/701,444**

(22) Filed: **Aug. 12, 2019**

(51) **LOC (13) Cl.** ..... **23-01**

(52) **U.S. Cl.**  
USPC ..... **D23/226**

(58) **Field of Classification Search**  
USPC ..... D8/2; D23/213, 223, 224, 226, 229, 230  
CPC ..... B05B 1/16; B05B 9/01; B05B 12/002;  
B05B 12/0022; B05B 12/0024; B05B  
12/0026; B05B 15/63; B25G 1/10; A01M  
7/0046

See application file for complete search history.

(56) **References Cited**

**U.S. PATENT DOCUMENTS**

6,568,610 B1	5/2003	Ericksen	
7,226,002 B2 *	6/2007	Luo	B05B 1/3046
			239/390
D572,338 S *	7/2008	Hung	D23/223
D576,252 S *	9/2008	Lo	D23/223
D592,731 S *	5/2009	Hung	D23/223
D604,389 S *	11/2009	Cheng	D23/223
D636,058 S *	4/2011	Hung	D23/223
D643,907 S *	8/2011	Hung	D23/223
D726,872 S	4/2015	Thurgood	

(Continued)

**OTHER PUBLICATIONS**

“Dramm 12426 One Touch Shower and Stream”, Apr. 21, 2012, Amazon, site visited Dec. 9, 2020: <https://www.amazon.ca/dp/B007CW1MP6/> (Year: 2012).\*

(Continued)

*Primary Examiner* — Jack Reickel

*Assistant Examiner* — Bobby W Jones, II

(74) *Attorney, Agent, or Firm* — Austin Rapp

(57) **CLAIM**

The ornamental design for a watering wand, as shown and described.

**DESCRIPTION**

FIG. 1 is a first top perspective view of a watering wand, according to my new design;

FIG. 2 is a second top perspective view of the watering wand;

FIG. 3 is a first bottom perspective view of the watering wand;

FIG. 4 is a second bottom perspective view of the watering wand;

FIG. 5 is a front side elevational view of the watering wand;

FIG. 6 is a rear side elevational view of the watering wand;

FIG. 7 is a top side view of the watering wand;

FIG. 8 is a bottom side view of the watering wand;

FIG. 9 is a right side elevational view of the watering wand;

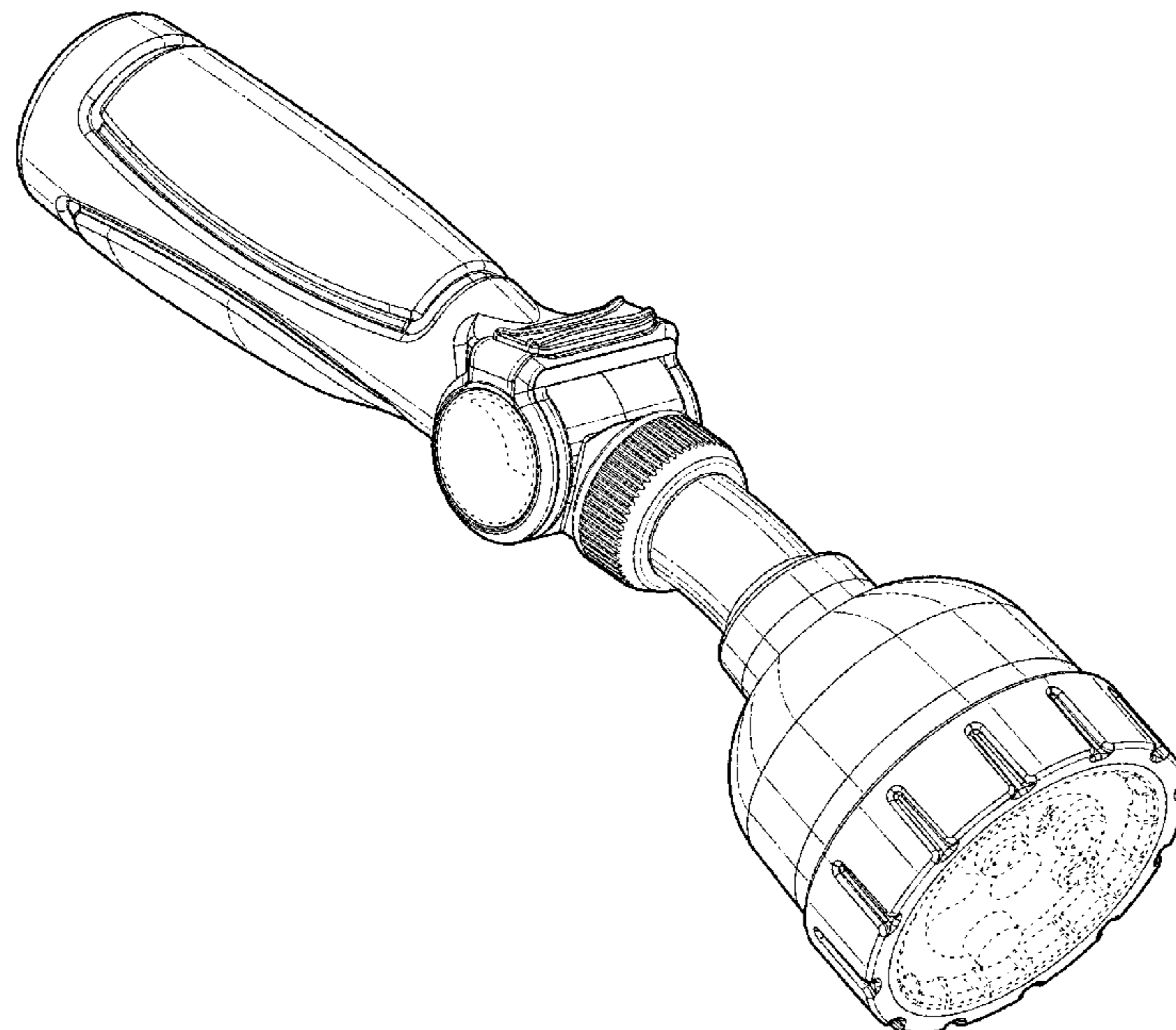
FIG. 10 is a left side elevational view of the watering wand;

FIG. 11 is a left side elevational view of the watering wand in a first alternate position; and,

FIG. 12 is a left side elevational view of the watering wand in a second alternate position.

The broken lines in the figures are included for the purpose of illustrating unclaimed portions of the watering wand and form no part of the claimed design.

**1 Claim, 12 Drawing Sheets**



(56)

References Cited

U.S. PATENT DOCUMENTS

D749,696	S *	2/2016	Thurgood	.....	D23/223
D760,349	S	6/2016	Chen		
D767,091	S	9/2016	Chen		
D767,094	S	9/2016	Chen		
D771,774	S *	11/2016	Chen	.....	D23/223
D779,036	S *	2/2017	Chen	.....	D23/223
D783,123	S	4/2017	Chen		
D792,555	S *	7/2017	Hung	.....	D23/223
D792,944	S *	7/2017	Cheng	.....	D23/224
9,707,573	B1	7/2017	Huang		
9,770,731	B1 *	9/2017	Chen	.....	B05B 9/01
D799,005	S *	10/2017	Wojan	.....	D23/223
D819,783	S	6/2018	Urry		
D820,952	S	6/2018	Chen		
D820,953	S	6/2018	Chen		
D821,544	S	6/2018	Urry		
D822,160	S *	7/2018	Urry	.....	D23/223
D824,486	S	7/2018	Urry		
D824,492	S	7/2018	Chen		
D839,384	S *	1/2019	Svendsen	.....	D23/213
10,213,800	B2	2/2019	Chen		
D851,209	S *	6/2019	Cheng	.....	D23/223
D855,758	S	8/2019	Chen		
10,493,482	B2 *	12/2019	Su	.....	B05B 1/30
D892,271	S	8/2020	Urry		
D892,272	S	8/2020	Urry		
2010/0282870	A1 *	11/2010	Chen	.....	B25G 3/20 239/525
2011/0220738	A1 *	9/2011	Cheng	.....	B05B 1/3026 239/526
2014/0054399	A1 *	2/2014	Hsieh	.....	B05B 1/3026 239/526
2015/0343467	A1 *	12/2015	Chen	.....	B05B 1/1654 239/526
2017/0204978	A1 *	7/2017	Huang	.....	F16K 5/0478
2018/0161795	A1 *	6/2018	Su	.....	B05B 1/30

OTHER PUBLICATIONS

“Orbit 58995 Pro Flo 7-Pattern 14” Watering Wand”, Dec. 2, 2016, Amazon, site visited Dec. 9, 2020: <https://www.amazon.ca/dp/B01G37U94A/> (Year: 2016).\*

U.S. Appl. No. 29/690,607, filed May 9, 2019, Urry.

U.S. Appl. No. 29/690,608, filed May 9, 2019, Urry.

Orbit Irrigation Products, LLC, Product No. 27823 shown in attachment 2 was sold or offered for sale at least by Mar. 31, 2016.

Orbit Irrigation Products, LLC, Product No. 58993 shown in attachment 3 was sold or offered for sale at least by Feb. 26, 2016.

Melnor, Inc., Product No. T301 shown in attachment 4 was sold or offered for sale at least by Apr. of 2013.

U.S. Appl. No. 29/705,797, filed Sep. 16, 2019, Urry.

Orbit Irrigation Products, LLC, Product No. 58793 shown in attachment 1 was sold or offered at least by Jun. 1, 2004.

Notice of Allowance and Fee(s) Due (including a Notice of Allowability For A Design Application section), U.S. Appl. No. 29/690,607, dated Apr. 7, 2020 (Included as attachment 5).

Notice of Allowance and Fee(s) Due (including a Notice of Allowability For A Design Application section), U.S. Appl. No. 29/690,608, dated Apr. 8, 2020 (Included as attachment 6).

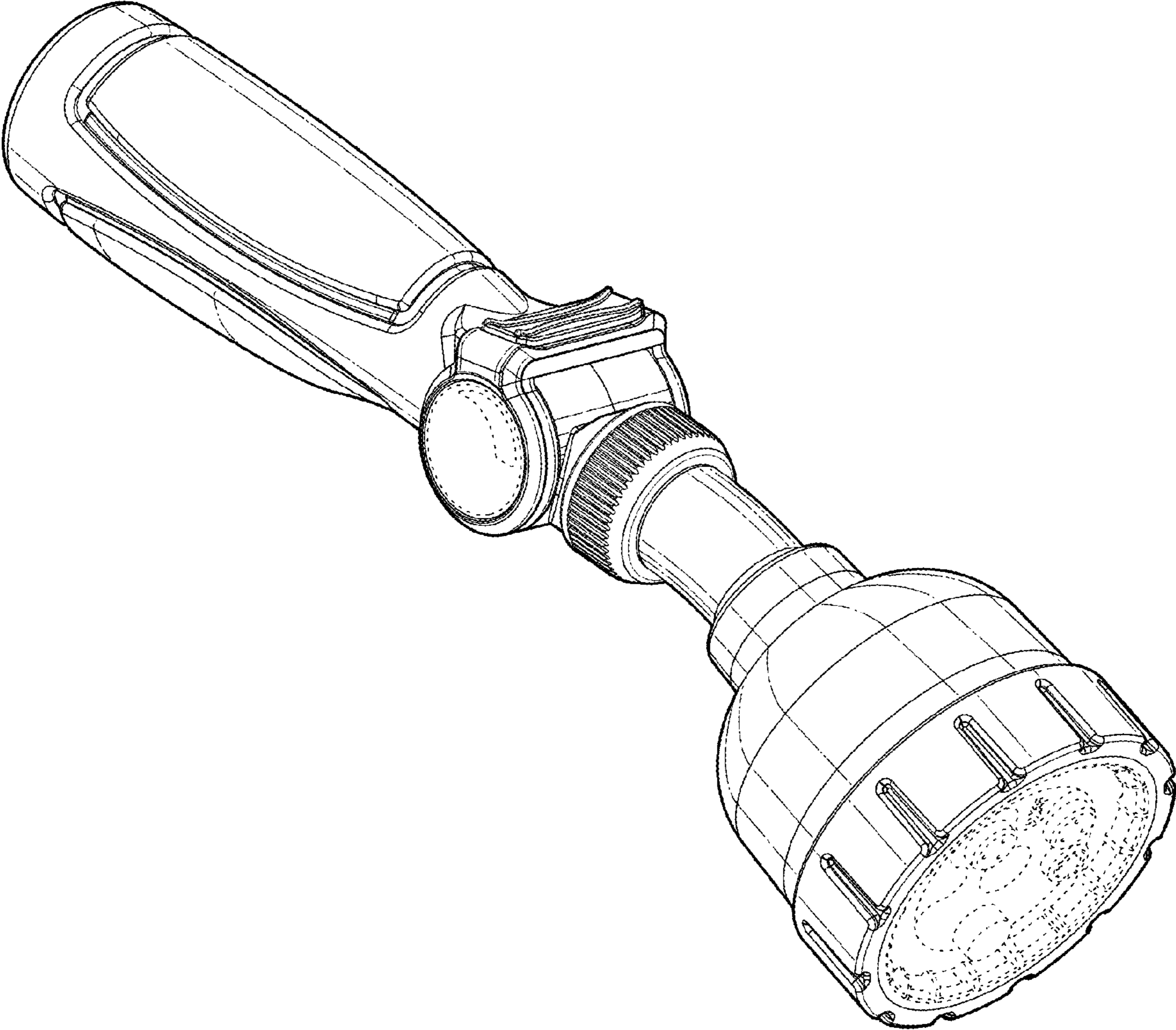
Preliminary Amendment, U.S. Appl. No. 29/705,797, filed Dec. 24, 2020, pp. 1-29 (Included as attachment 7).

Notice of Allowance and Fee(s) Due (including a Notice of Allowability For A Design Application section), U.S. Appl. No. 29/705,797, dated Jan. 8, 2021, pp. 1-6 (Included as attachment 8).

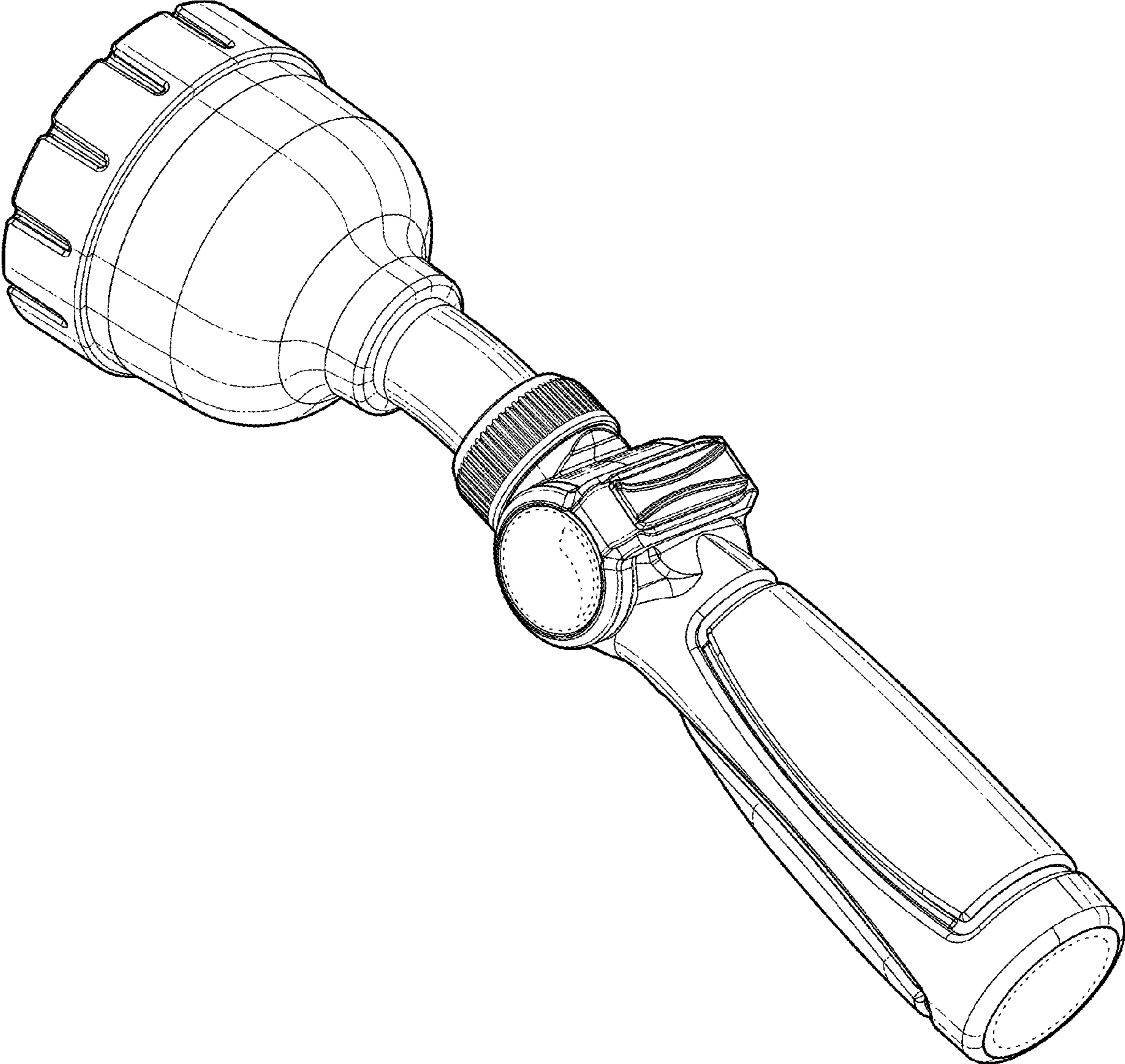
Utensilux, “Utensilux Heavy Duty Adjustable Fireman Garden Hose Nozzle,” sold or available for sale at least by Jun. 20, 2018, [Retrieved on Jan. 26, 2021] Retrieved from the Internet: Amazon, Web Page: <https://www.amazon.ca/dp/B07BC57CXR/>, pp. 1-7 (shown in attachment 9).

Bon-Aire, “Bon-Aire UFHN1 PowerNozzle Hose Nozzle,” sold or available for sale at least by Apr. 6, 2014, [Retrieved on Jan. 26, 2021] Retrieved from the Internet: Amazon, Web Page: <https://www.amazon.ca/dp/B00IMVKNKOM/>, pp. 1-11 (shown in attachment 10).

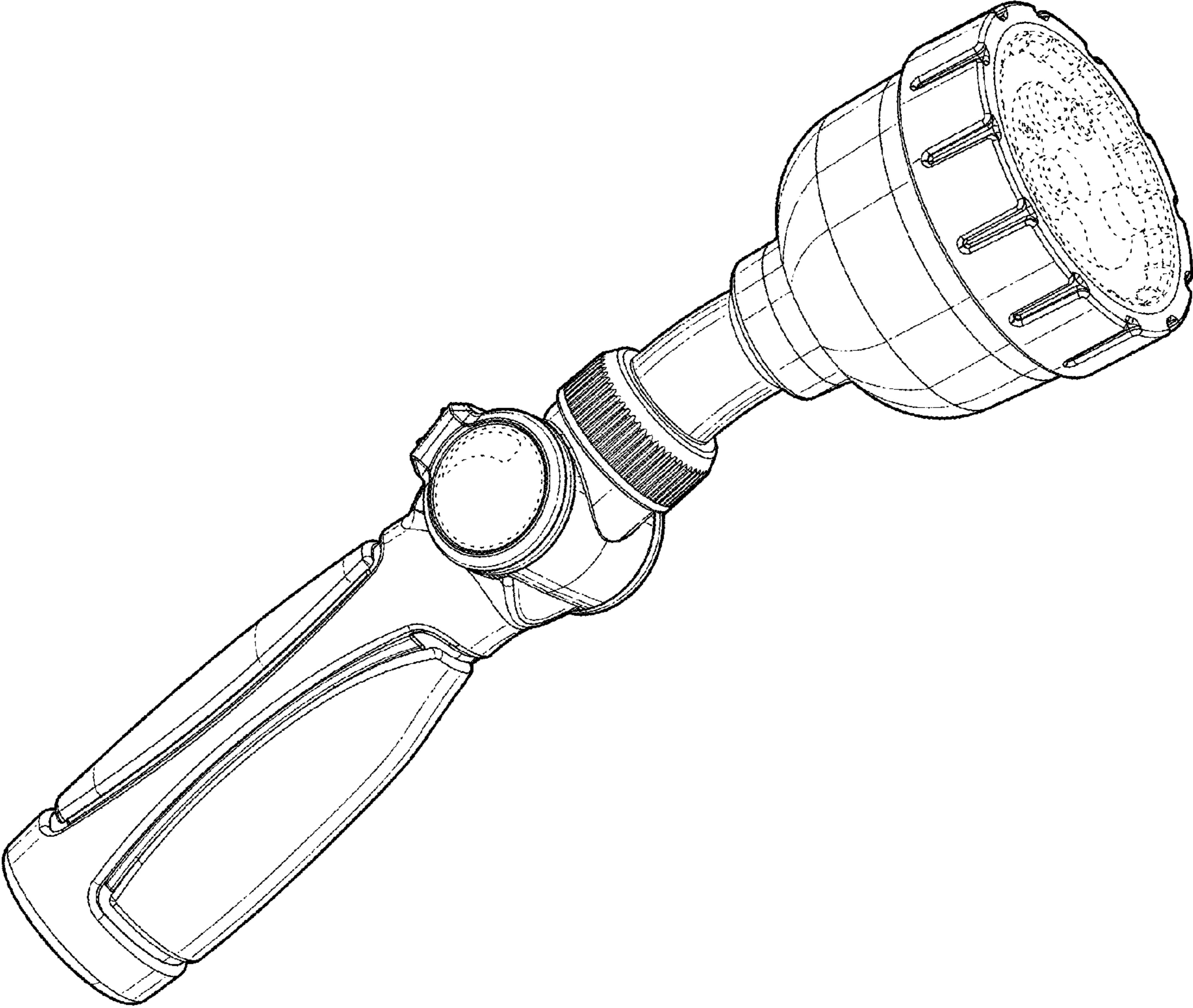
\* cited by examiner



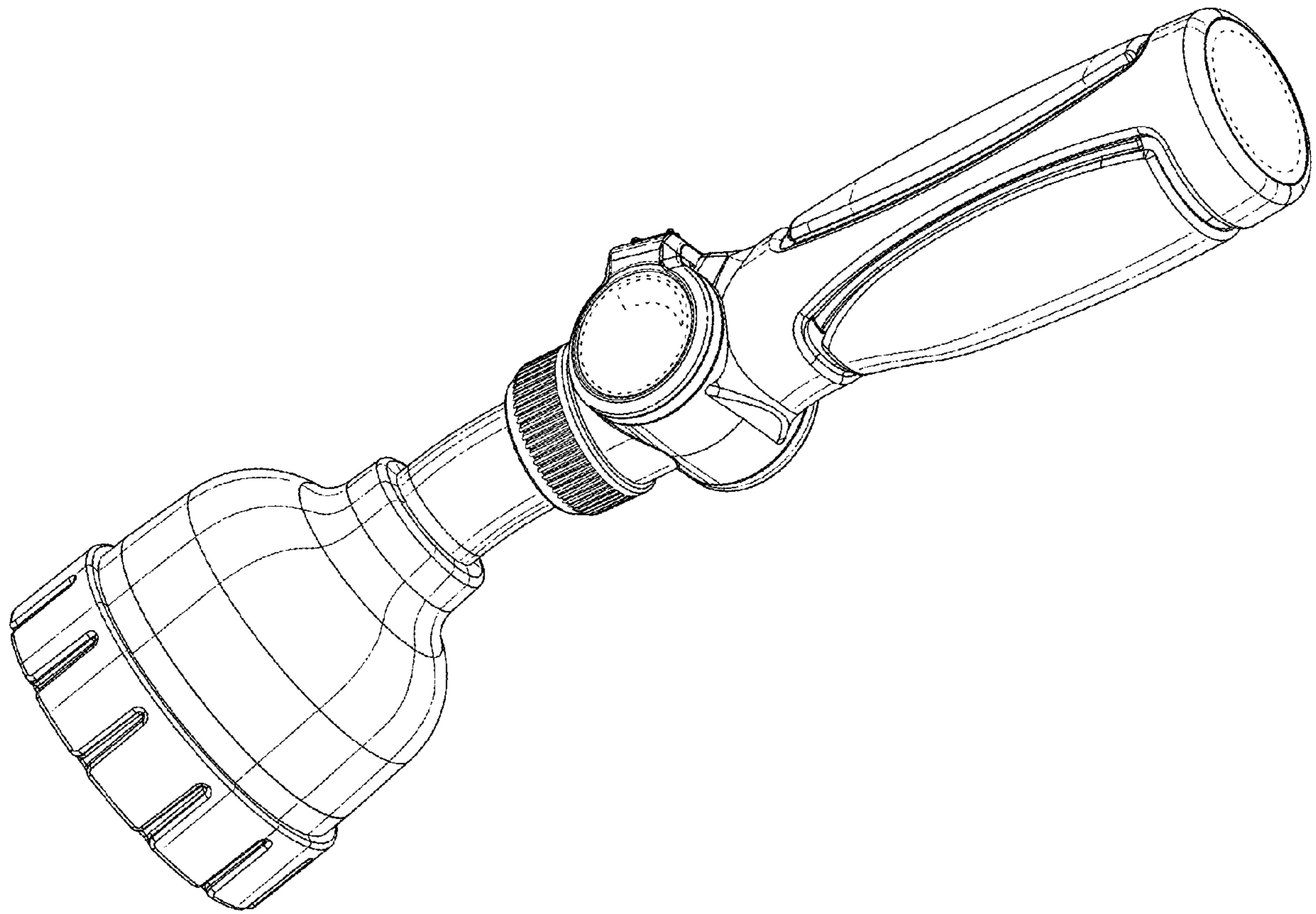
**FIG. 1**



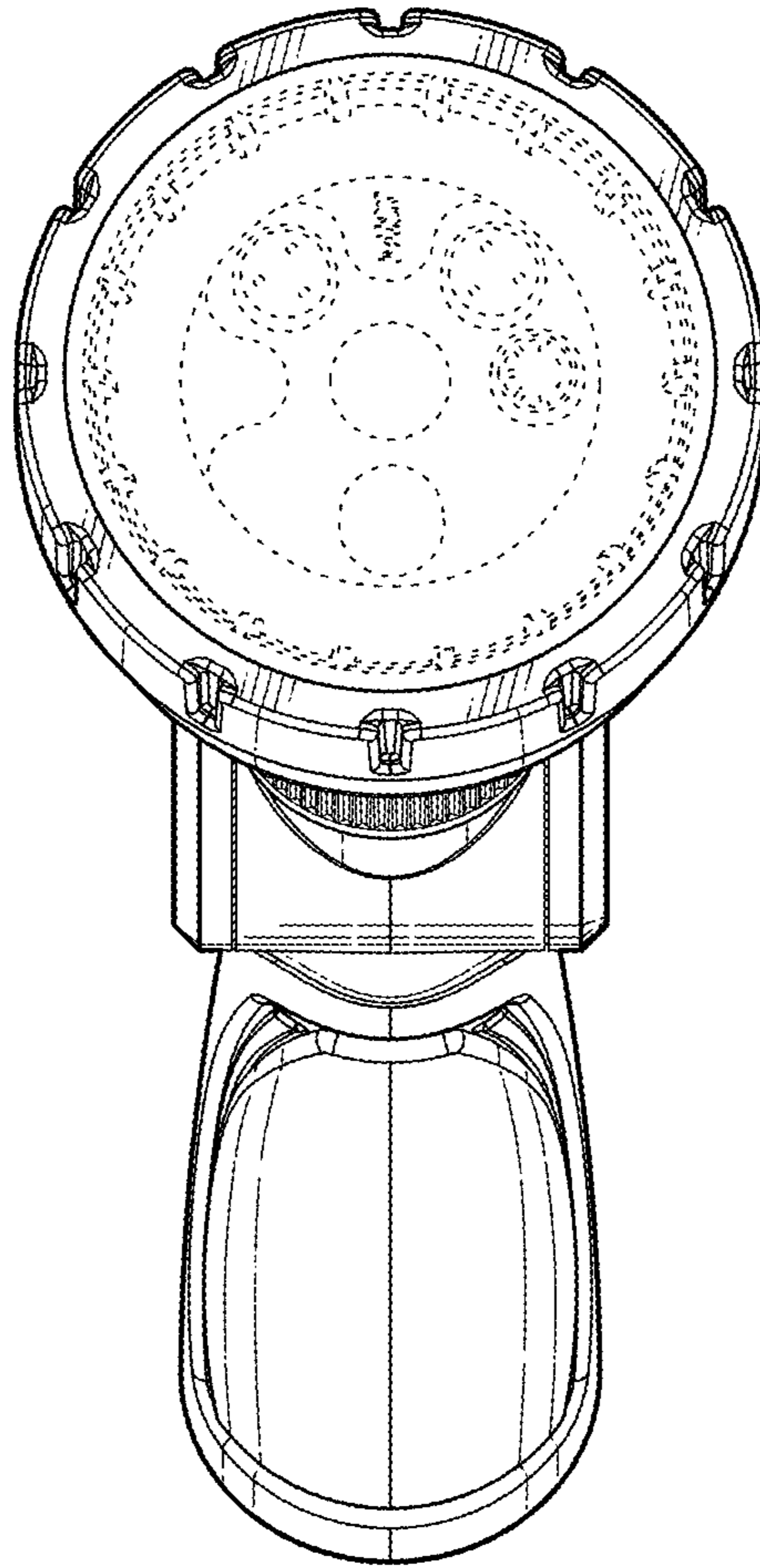
**FIG. 2**



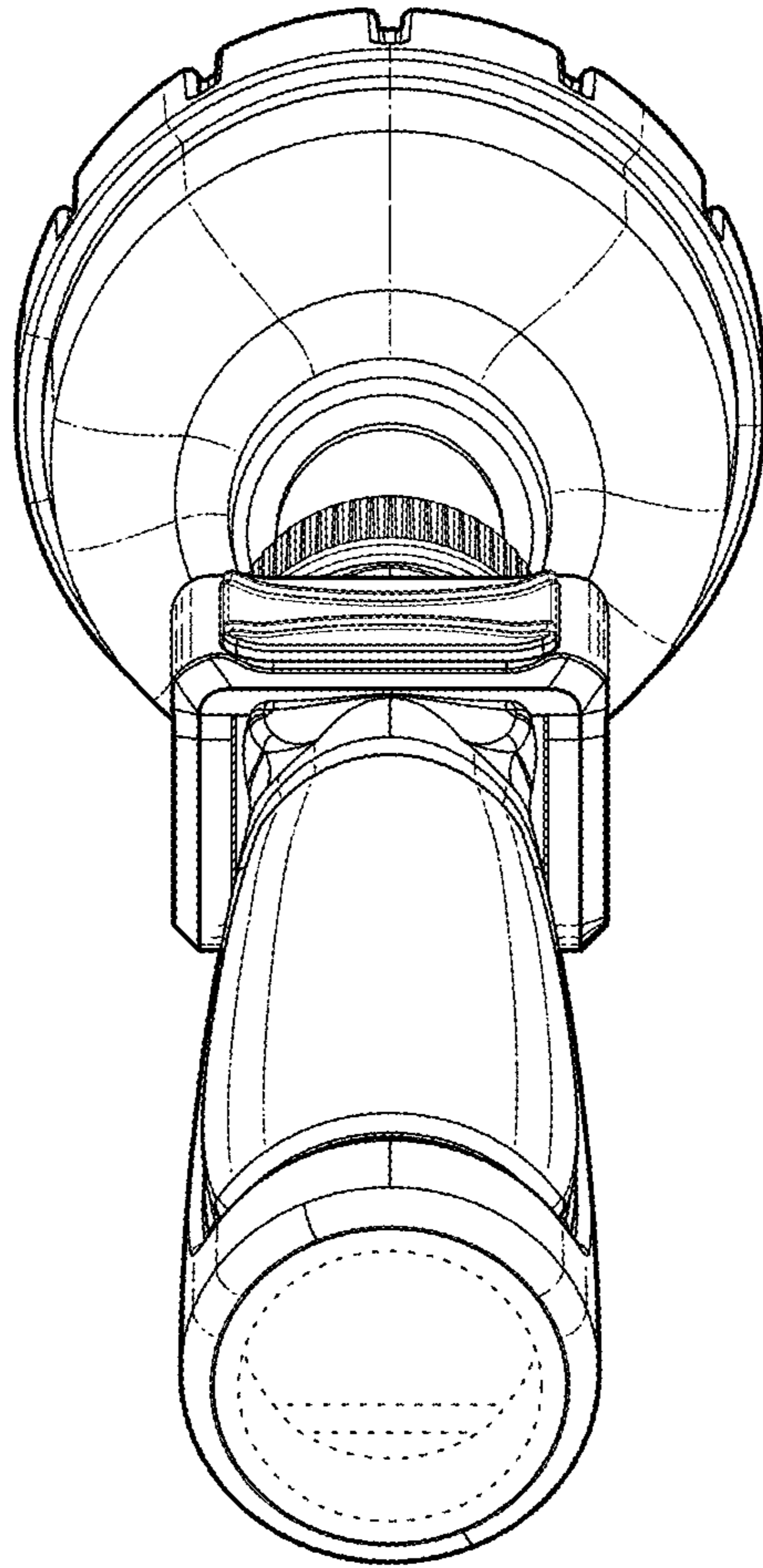
**FIG. 3**



**FIG. 4**

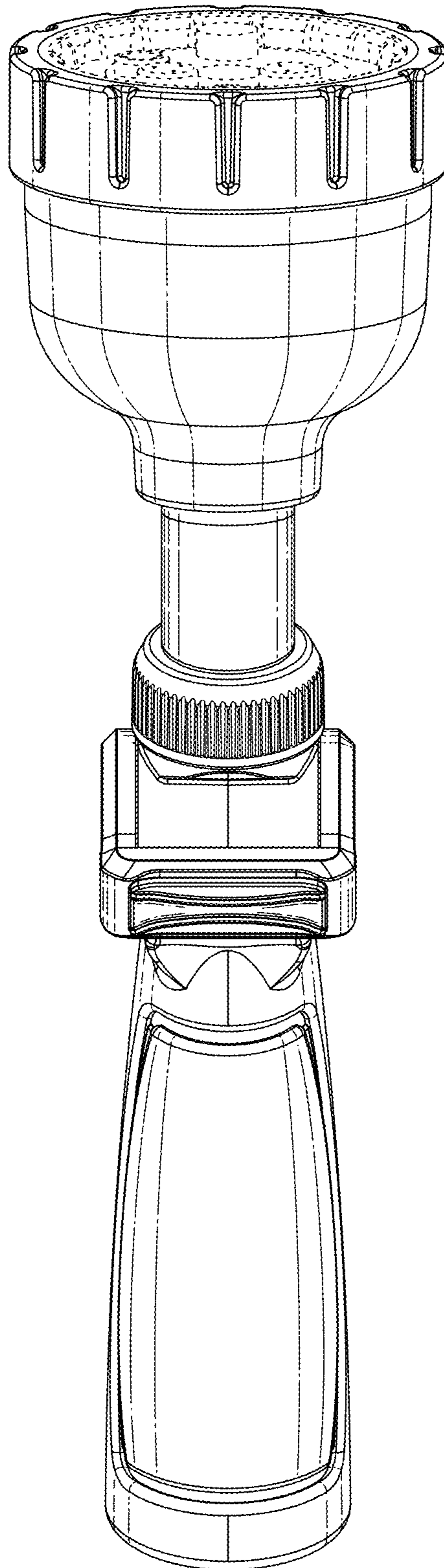


**FIG. 5**

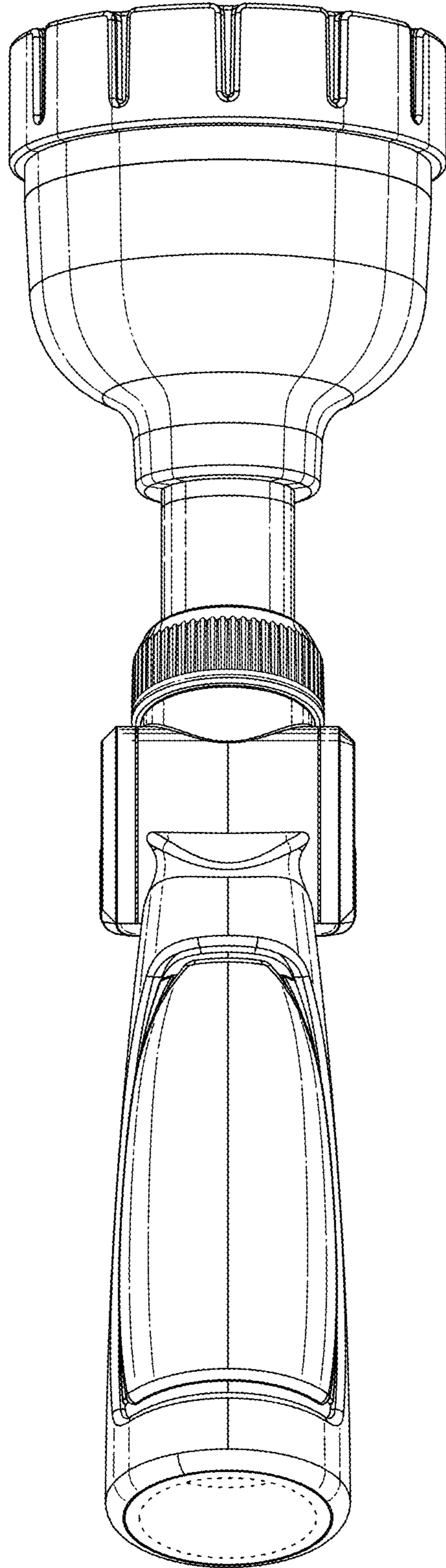


**FIG. 6**

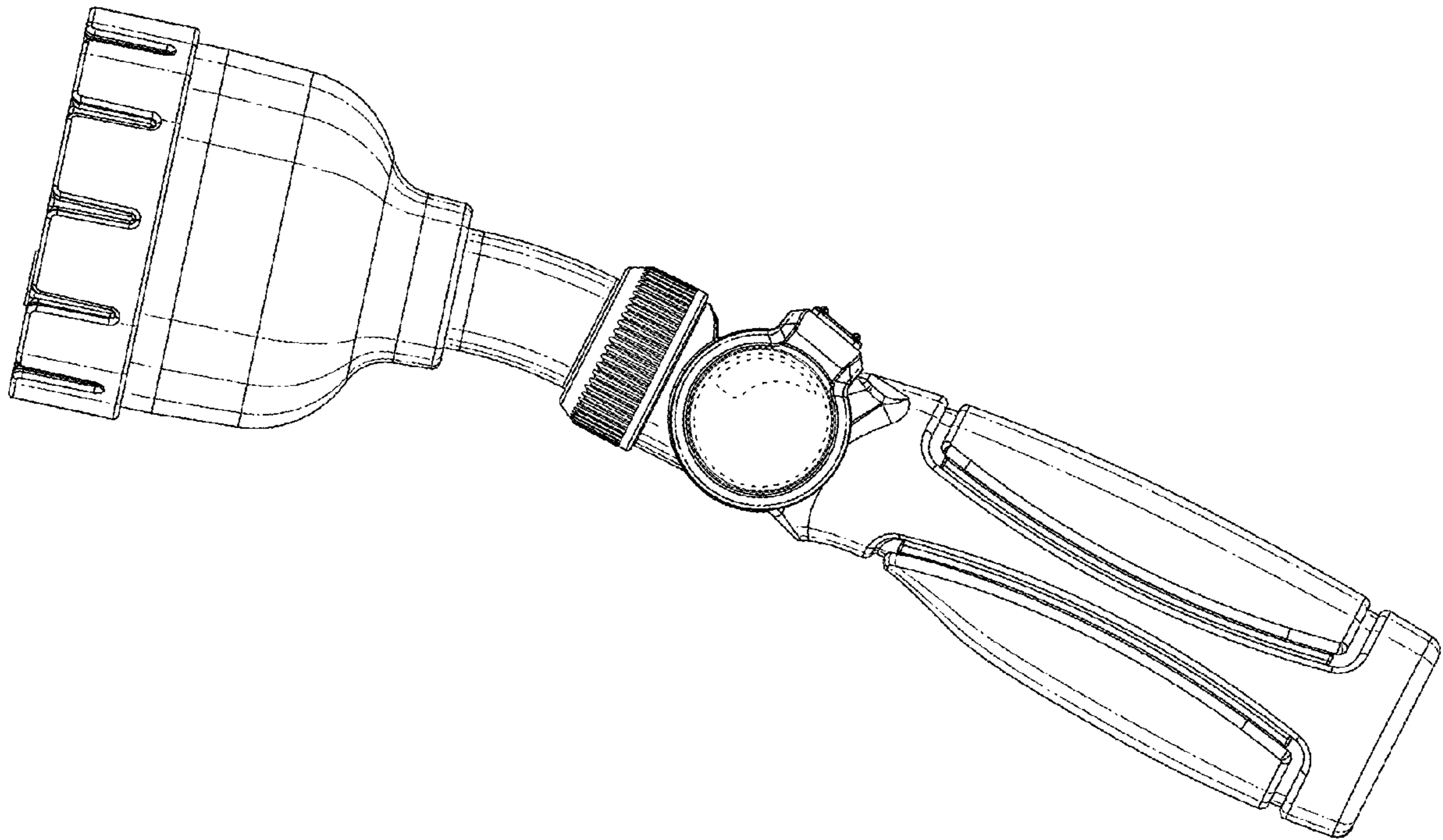




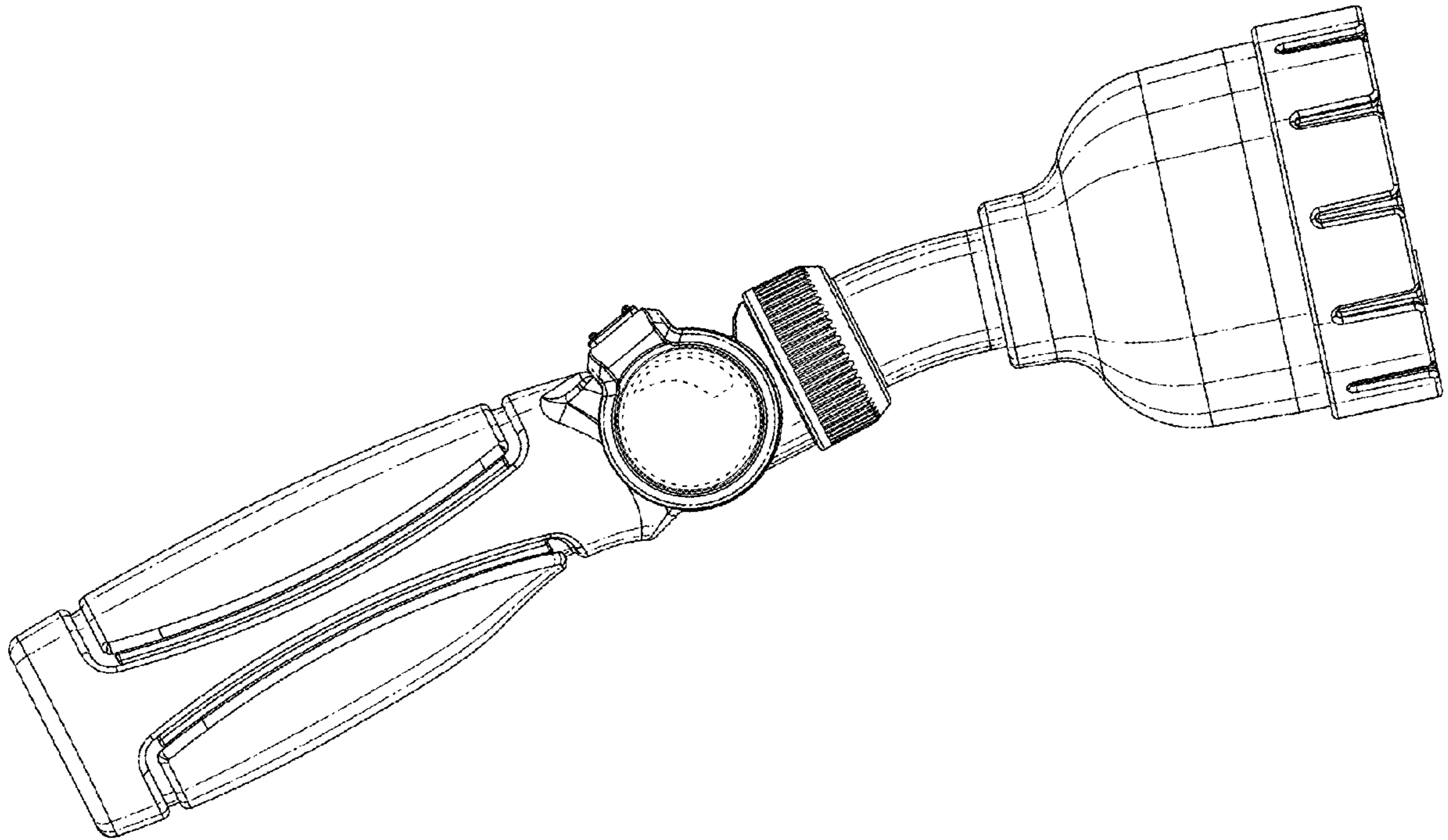
**FIG. 7**



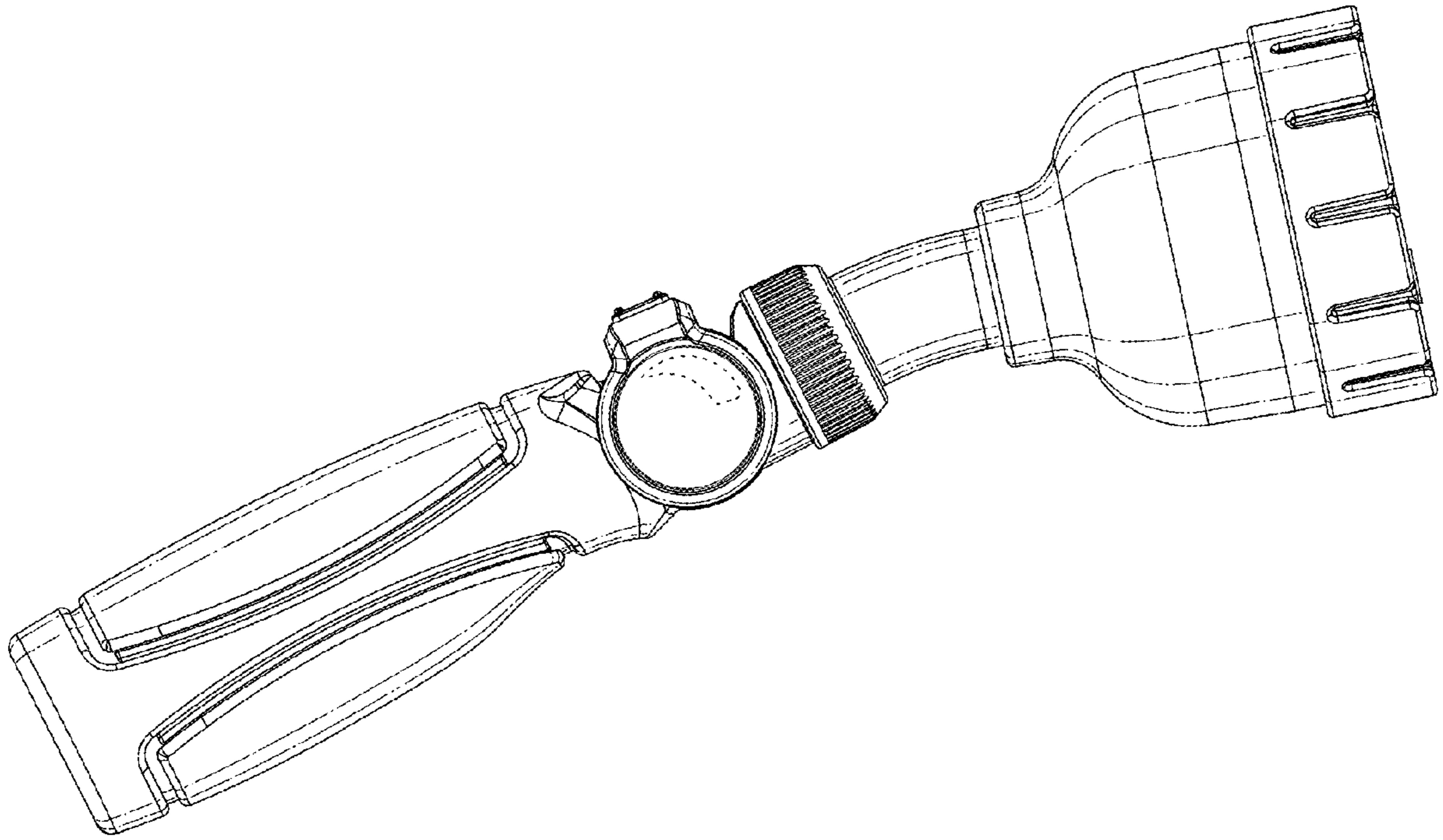
**FIG. 8**



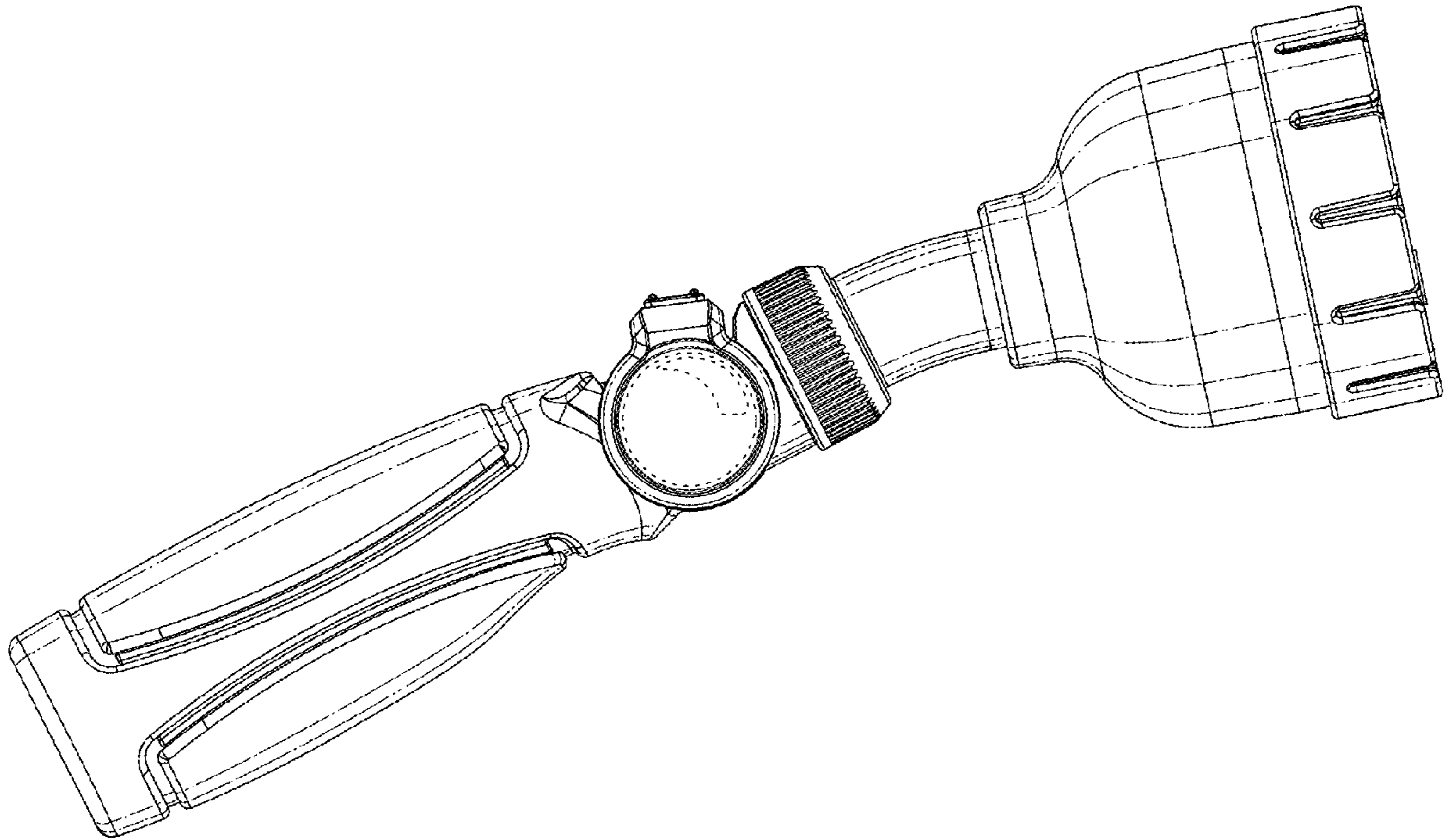
**FIG. 9**



**FIG. 10**



**FIG. 11**



**FIG. 12**