



US00D922524S

(12) **United States Design Patent**  
**Walters**

(10) **Patent No.:** **US D922,524 S**  
(45) **Date of Patent:** **\*\* Jun. 15, 2021**

(54) **NOZZLE FOR SPRAYING FLUIDS**

(71) Applicant: **EXEL INDUSTRIES**, Epernay (FR)

(72) Inventor: **Georges Walters**, Birmingham (GB)

(\*\*) Term: **15 Years**

(21) Appl. No.: **35/508,902**

(22) Filed: **Sep. 20, 2019**

(80) **Hague Agreement Data**

Int. Filing Date: **Sep. 20, 2019**

Int. Reg. No.: **DM/206607**

Int. Reg. Date: **Sep. 20, 2019**

Int. Reg. Pub. Date: **Mar. 27, 2020**

(51) **LOC (13) Cl.** ..... **23-01**

(52) **U.S. Cl.**  
USPC ..... **D23/223**

(58) **Field of Classification Search**  
USPC ..... D23/211, 211.1, 211.2, 213, 223, 224,  
D23/226, 231, 249, 255, 257, 260, 262,  
D23/263, 266  
CPC ... B67D 5/37; B67D 7/50; F16L 37/00; F16L  
37/46; F17C 13/12; F17C 2205/0376  
See application file for complete search history.

(56) **References Cited**

**U.S. PATENT DOCUMENTS**

D355,704 S \* 2/1995 Simpson ..... D23/223  
D407,140 S \* 3/1999 Heren ..... D23/223

D417,483 S \* 12/1999 Cornford ..... D23/213  
D447,539 S \* 9/2001 Tse ..... D23/226  
D619,210 S \* 7/2010 Jian ..... D23/223  
D684,664 S \* 6/2013 Gevers ..... D23/226  
D694,360 S \* 11/2013 Gaetano ..... D23/223  
D709,164 S \* 7/2014 Abernethy ..... D23/213  
D726,872 S \* 4/2015 Thurgood ..... D23/223  
D746,946 S \* 1/2016 Naslund ..... D23/223  
D771,773 S \* 11/2016 Chen ..... D23/223  
D792,945 S \* 7/2017 Cheng ..... D23/224  
D824,492 S \* 7/2018 Chen ..... D23/223  
D832,978 S \* 11/2018 Miyawaki ..... D23/226  
D852,324 S \* 6/2019 Willfort ..... D23/226  
D855,760 S \* 8/2019 Lee ..... D23/223

\* cited by examiner

*Primary Examiner* — Natasha Vujcic

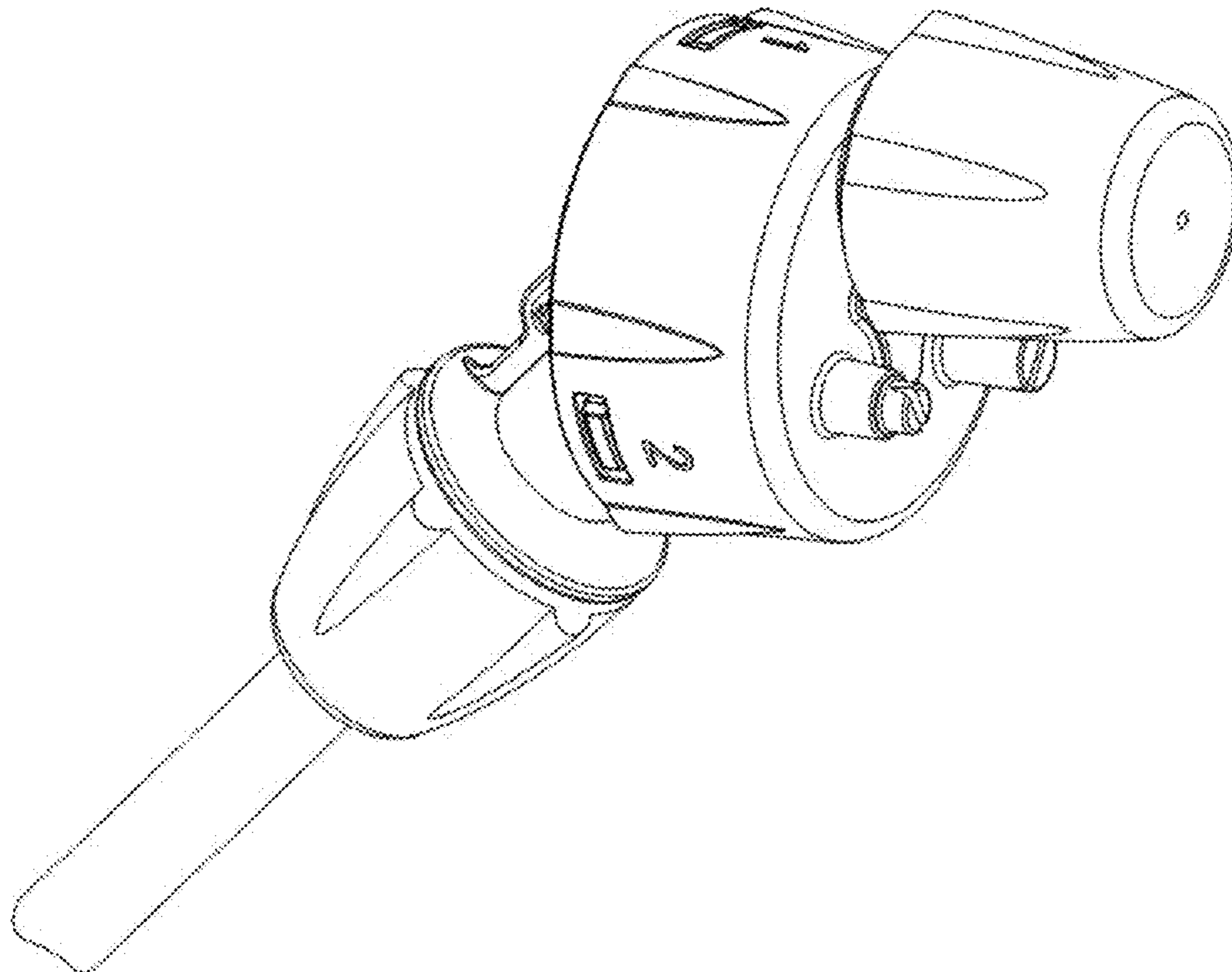
(57) **CLAIM**

The ornamental design for nozzle for spraying fluids, as shown and described.

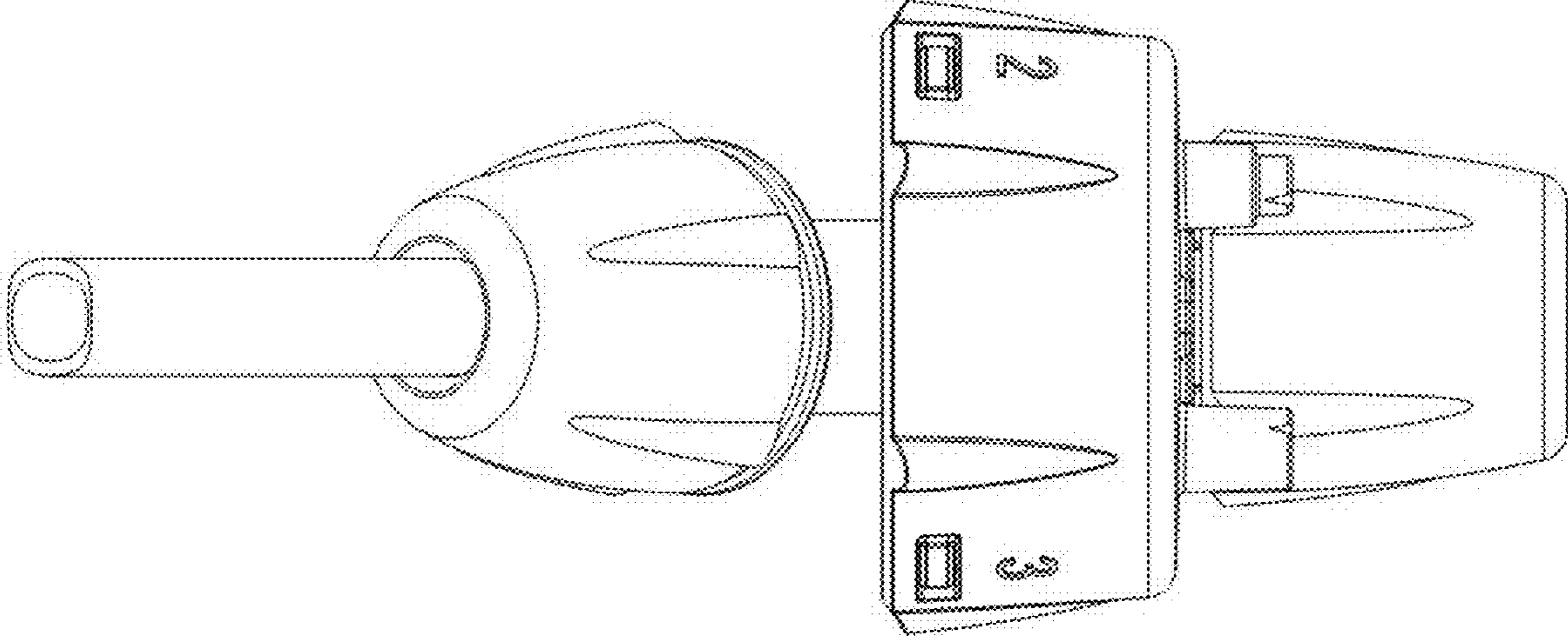
**DESCRIPTION**

- 1. Nozzle for spraying fluids
- 1.1 is a bottom view.
- 1.2 is a right side view.
- 1.3 is a right side perspective view.
- 1.4 is a front view.
- 1.5 is a rear view.
- 1.6 is a top view.
- 1.7 is a left side view.
- 1.8 is a rear perspective view
- 1.9 is a top perspective view.

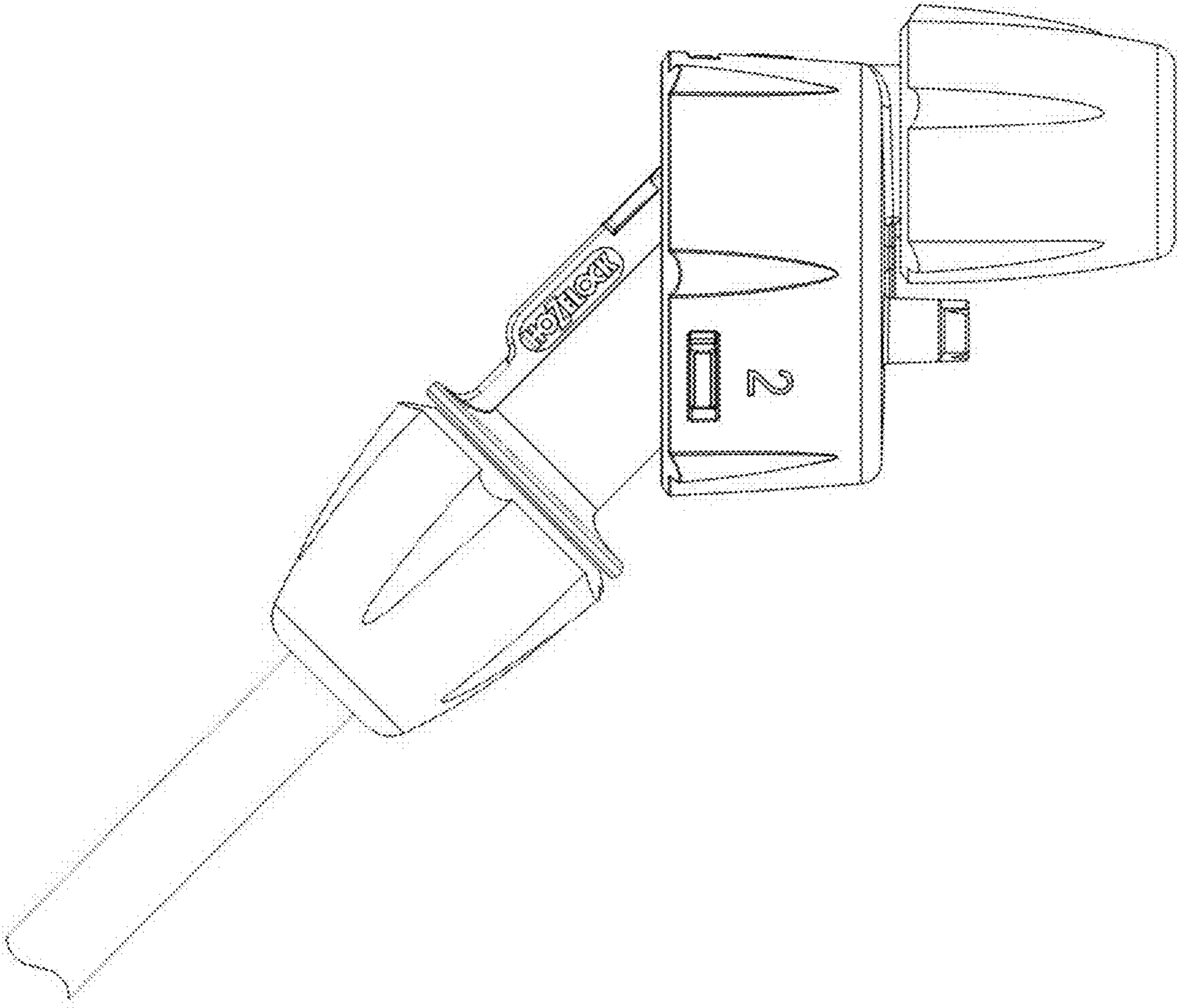
**1 Claim, 9 Drawing Sheets**



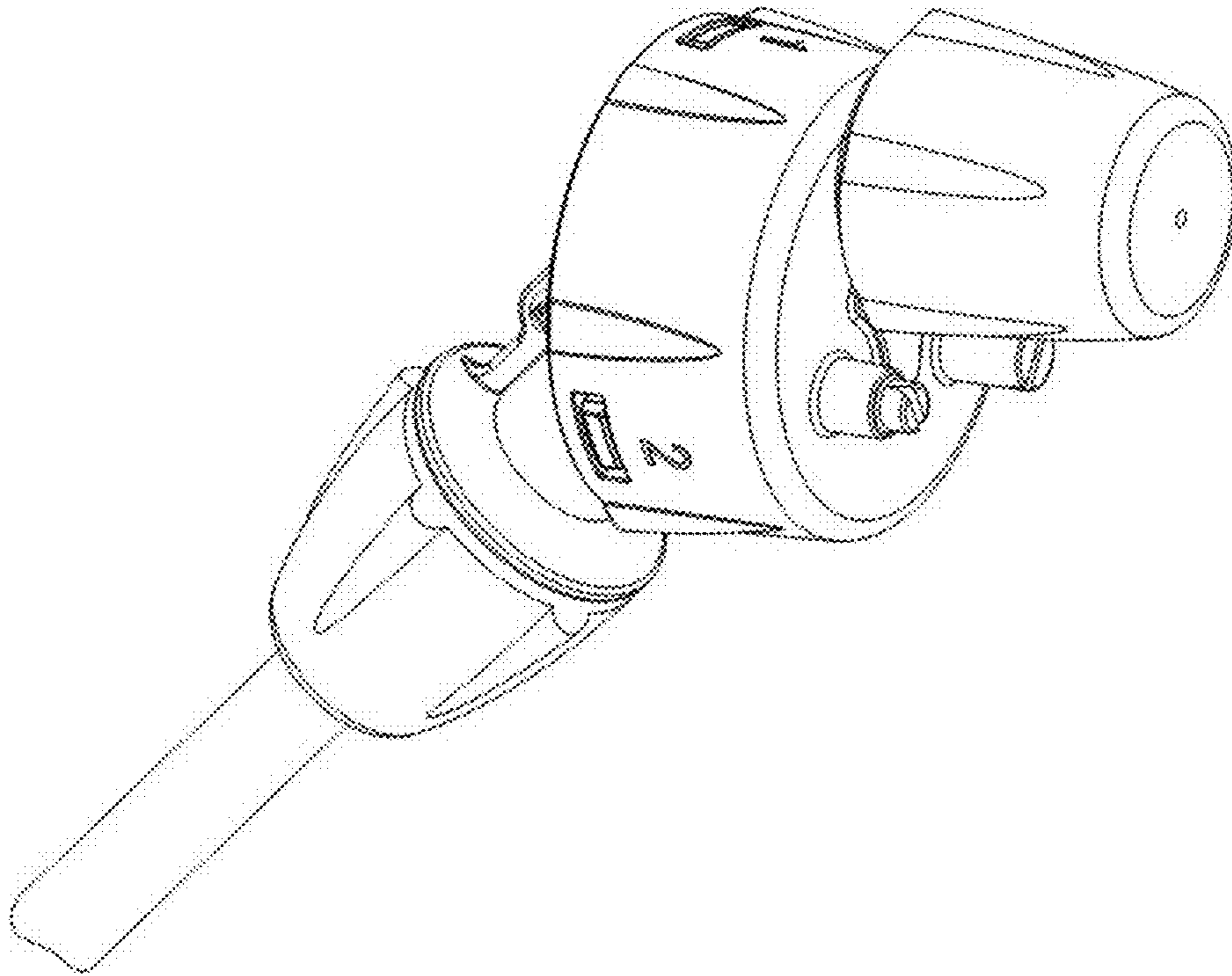
1.1



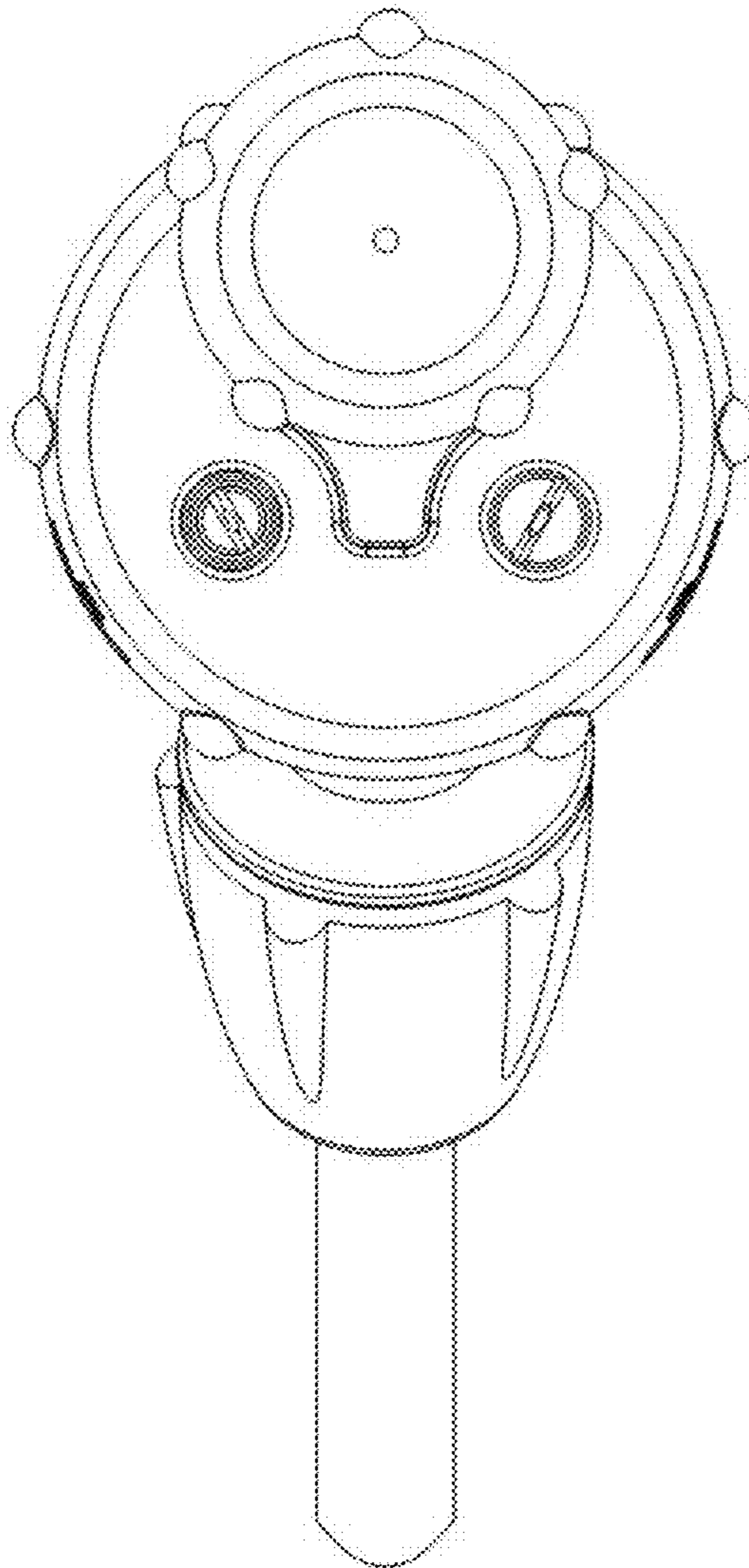
1.2



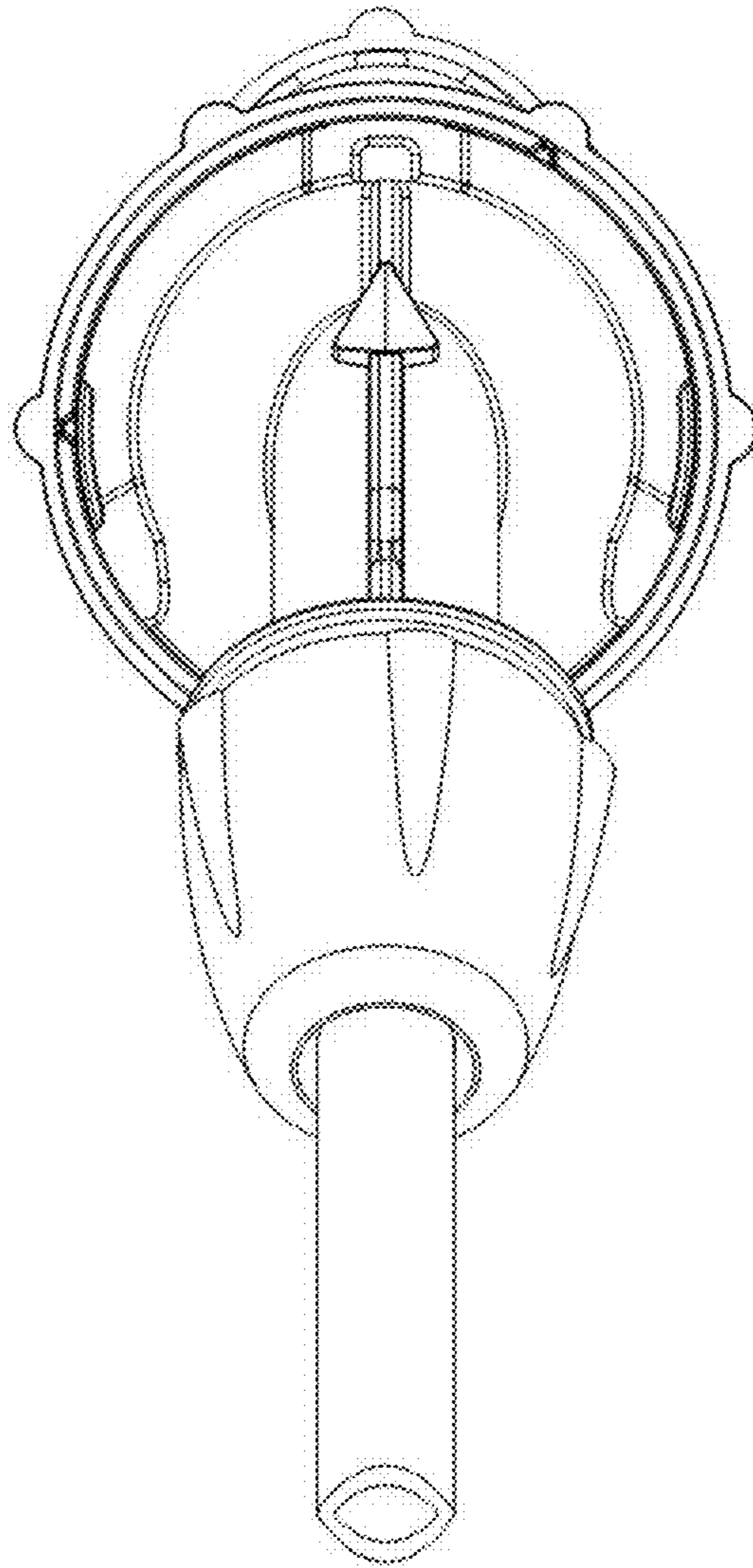
1.3



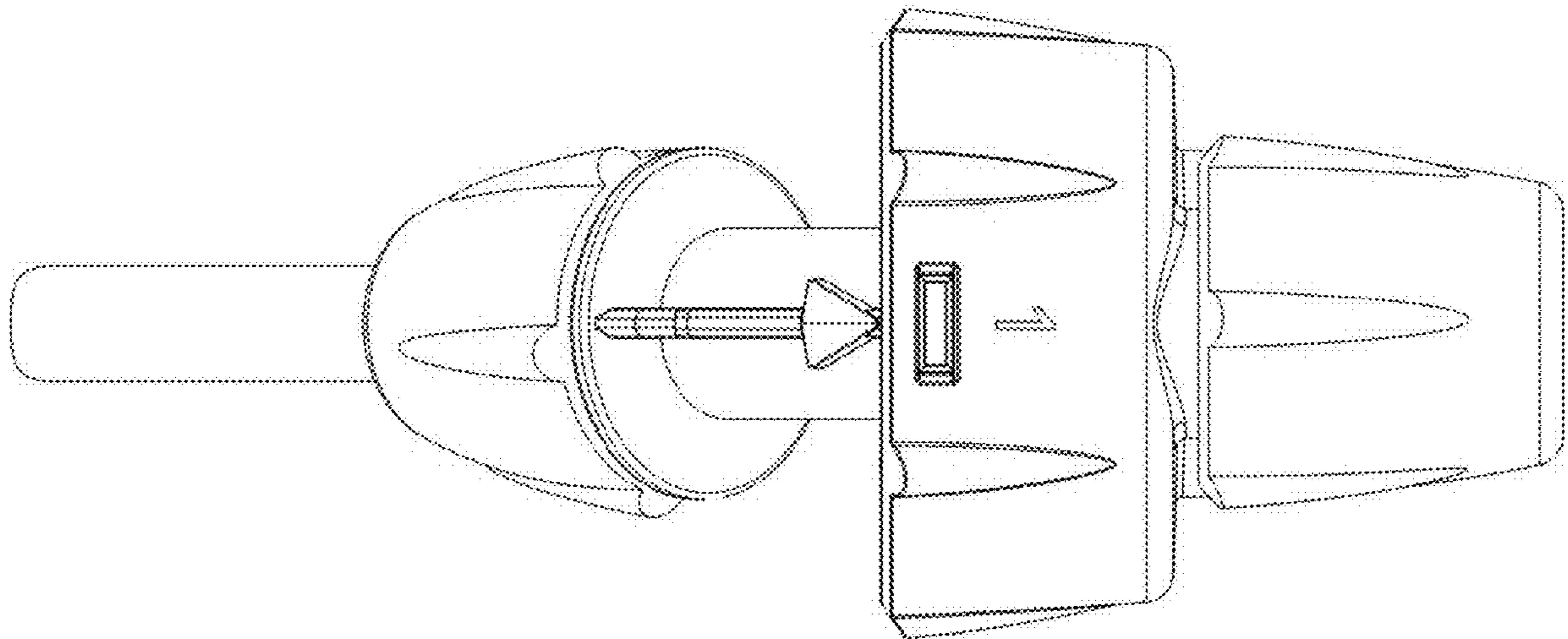
1.4



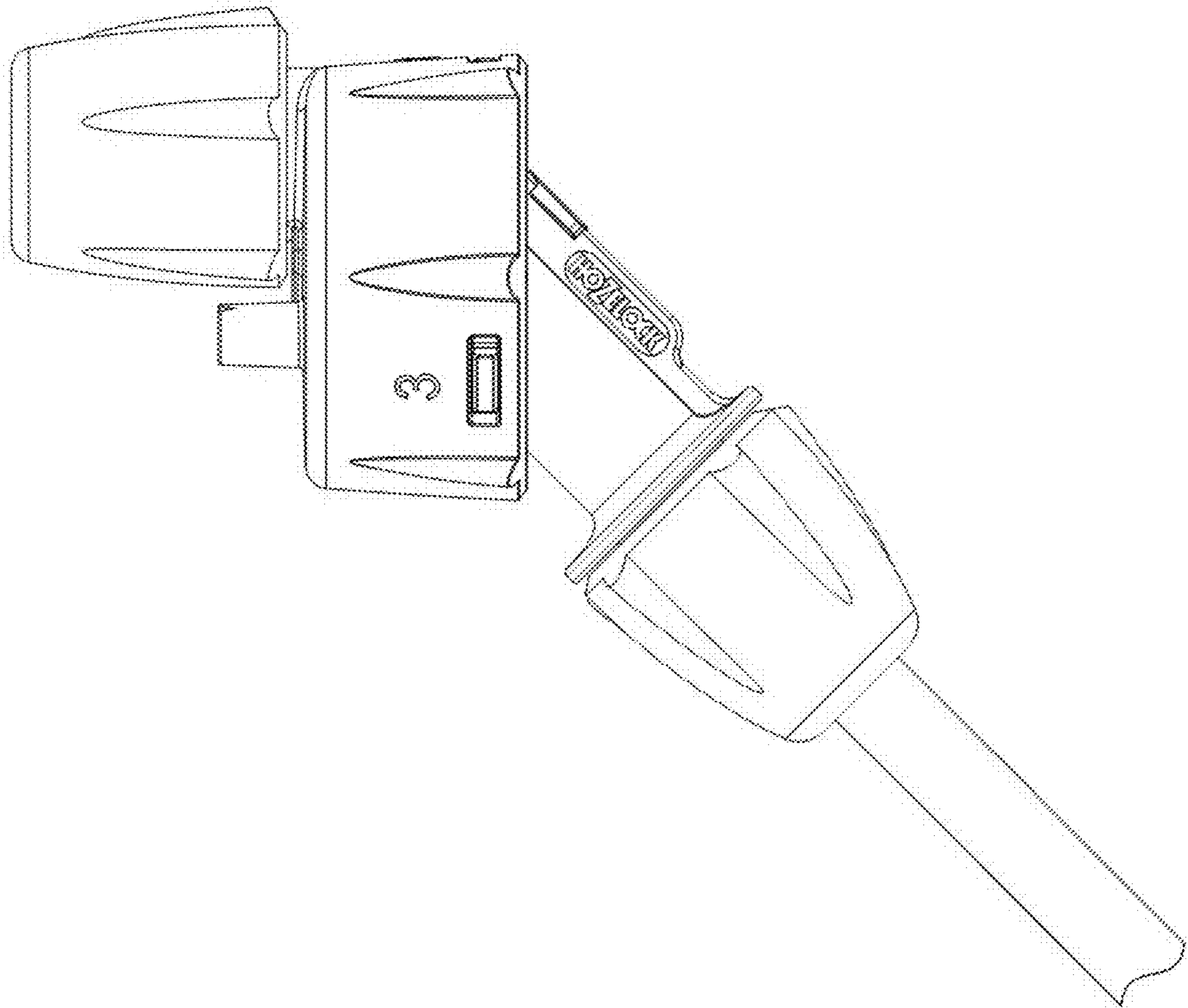
1.5



1.6

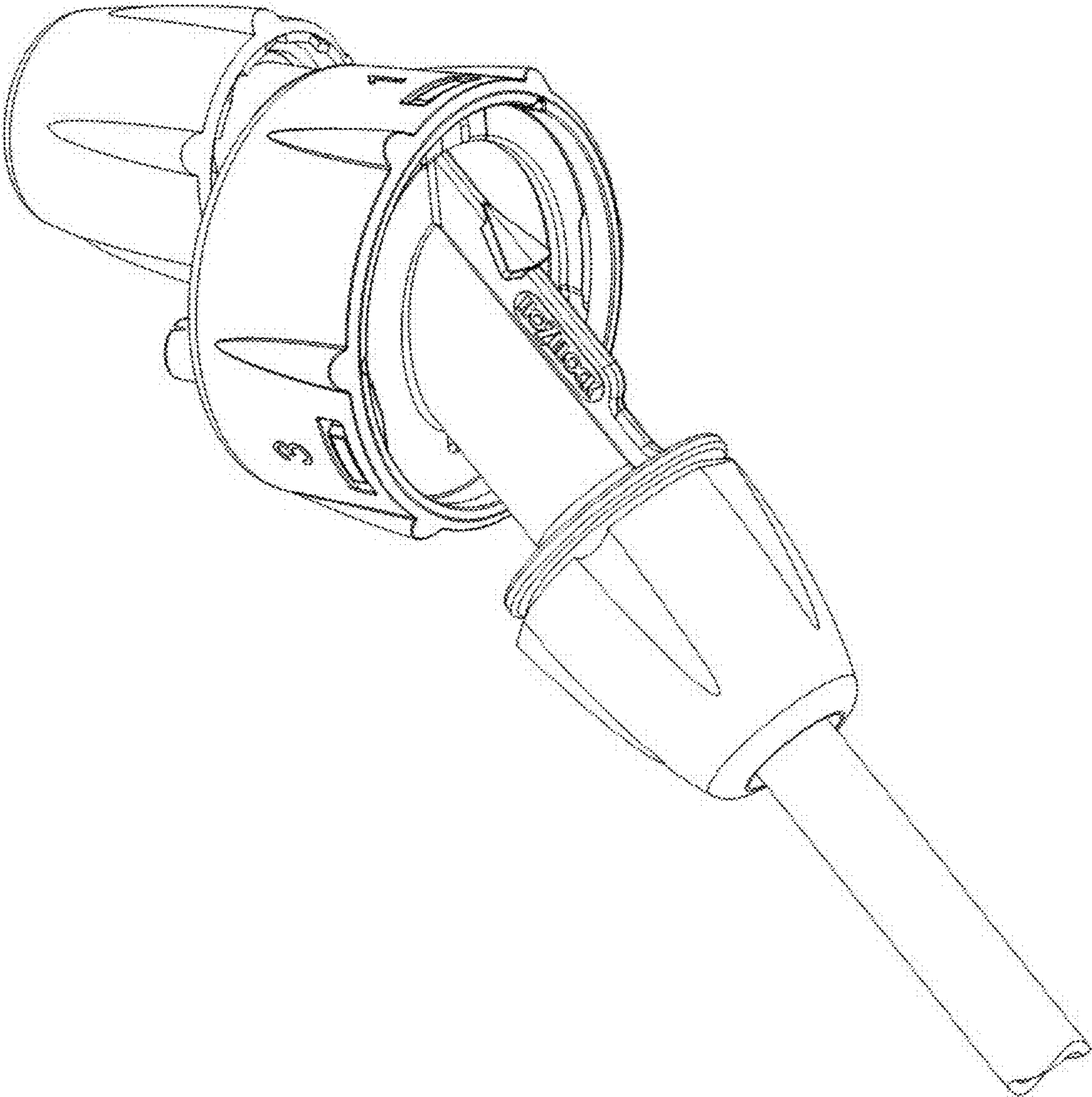


1.7





1.8



1.9

