



US00D922523S

(12) **United States Design Patent** (10) **Patent No.:** **US D922,523 S**
Havlovitz et al. (45) **Date of Patent:** **** Jun. 15, 2021**

(54) **MISTING DEVICE**

(71) Applicant: **OMS INVESTMENTS, INC.**, Los Angeles, CA (US)

(72) Inventors: **Paul M. Havlovitz**, Dublin, OH (US); **Derek Jordan Recker**, Columbus, OH (US); **David Slade Simpson**, Worthington, OH (US); **Michael Thomas Kopczewski**, Orient, OH (US); **Jay F. Perkins**, Pickerington, OH (US)

(73) Assignee: **OMS Investments, Inc.**, Los Angeles, CA (US)

(**) Term: **15 Years**

(21) Appl. No.: **29/695,172**

(22) Filed: **Jun. 17, 2019**

(51) **LOC (13) Cl.** **23-01**

(52) **U.S. Cl.**
USPC **D23/223**

(58) **Field of Classification Search**
USPC D23/213, 223, 225, 379; D29/125; D32/15, 17, 18, 21; D13/102
CPC ... B05B 7/1686; B05B 7/0081; B05B 3/1021; B05B 9/01; B05B 7/12; B05B 12/002; B05B 7/2464; B05B 3/022; A61M 35/003; A01M 7/0085; A01M 13/00
See application file for complete search history.

(56) **References Cited**

U.S. PATENT DOCUMENTS

3,392,479 A * 7/1968 Simmons B05B 7/2464 43/129
3,496,668 A * 2/1970 Slater B05B 7/1686 43/129
3,498,028 A 3/1970 Trouw
3,656,254 A * 4/1972 Schmedes A01M 13/00 43/129
4,512,515 A 4/1985 Tenney

D312,297 S * 11/1990 Ballu D23/225
5,072,884 A * 12/1991 Ellison A01M 7/0085 239/373
D387,270 S * 12/1997 Bifulco D23/225
6,837,447 B1 1/2005 Clark
D507,642 S * 7/2005 Radtke D23/379
D518,253 S * 3/2006 Erlich D32/18
7,065,944 B1 6/2006 Steele

(Continued)

FOREIGN PATENT DOCUMENTS

GB 713406 A 8/1954
KR 101187634 B1 10/2012
WO 2007039776 A1 4/2007

OTHER PUBLICATIONS

Co-Pending U.S. Appl. No. 62/862,239, Fogger Apparatus, filed Jun. 17, 2019 (Year: 2019).*

(Continued)

Primary Examiner — Michelle E. Wilson
Assistant Examiner — Richard E. Yenchesky
(74) *Attorney, Agent, or Firm* — Ulmer & Berne LLP

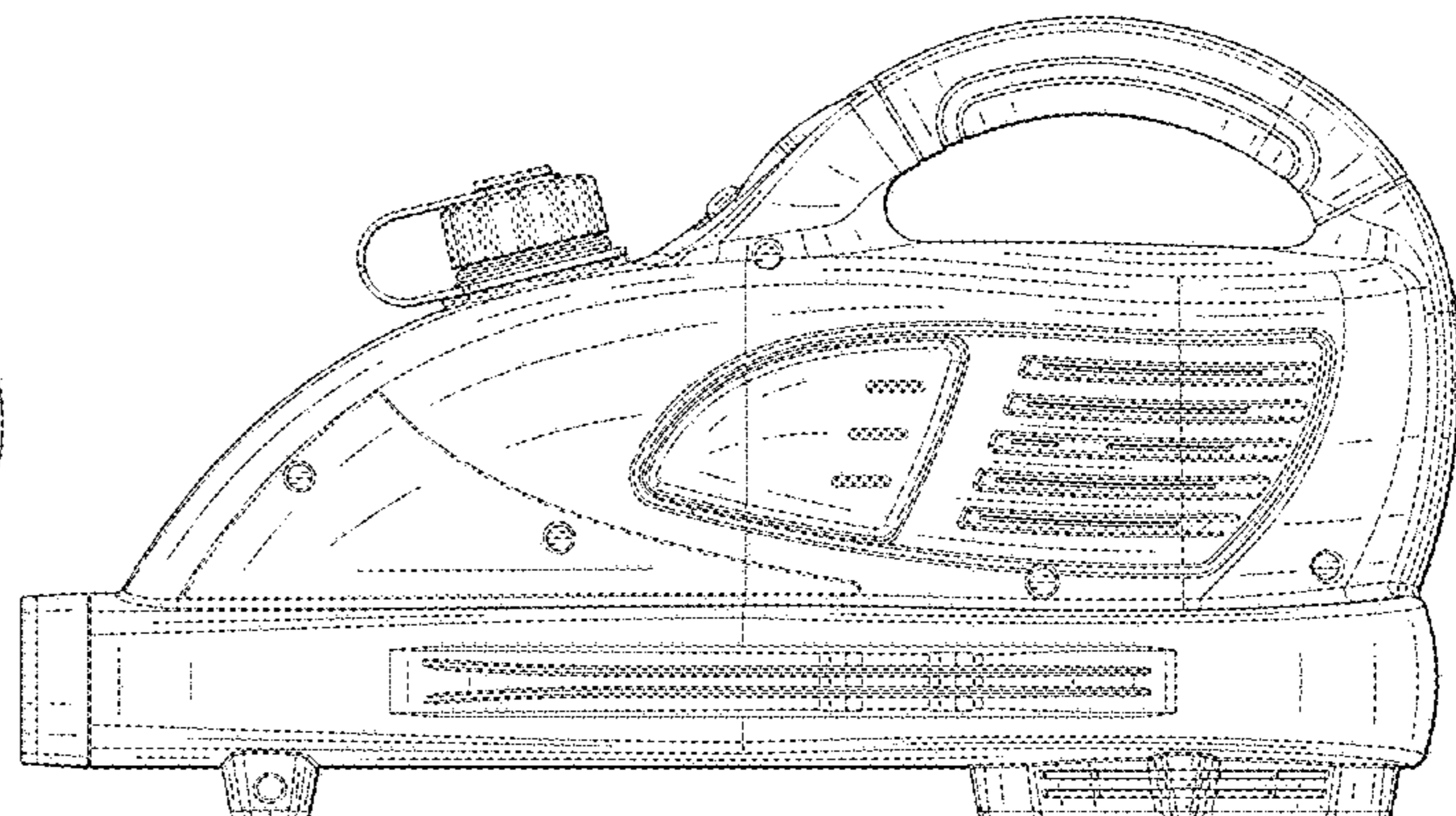
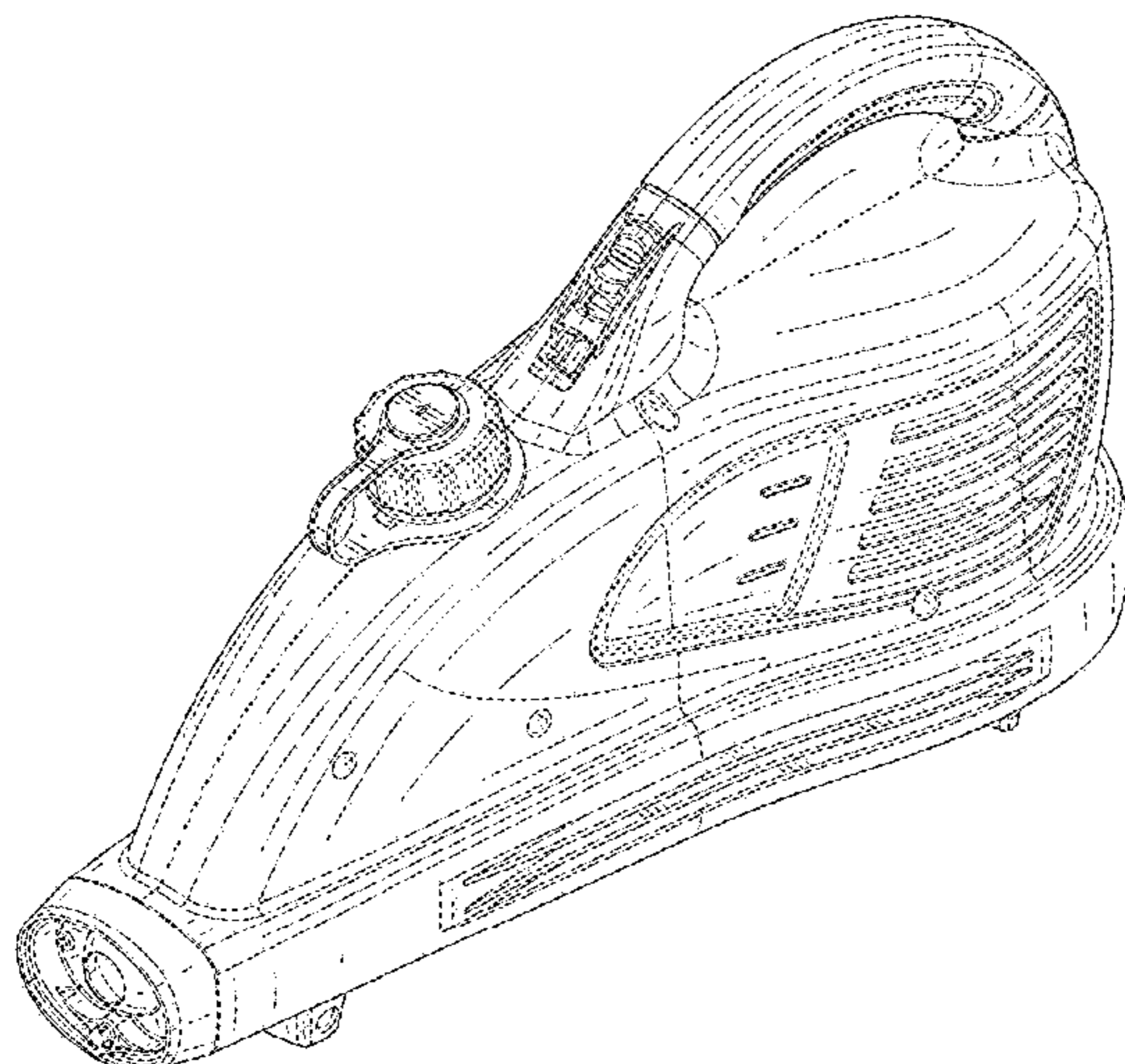
(57) **CLAIM**

The ornamental design of a misting device, as shown and described.

DESCRIPTION

FIG. 1 is a top isometric view of an embodiment of a misting device illustrating the new design; FIG. 2 is a front elevational view thereof; FIG. 3 is a back elevational view thereof; FIG. 4 is a right side elevational view thereof; FIG. 5 is a left side elevational view thereof; FIG. 6 is a top planar view thereof; FIG. 7 is a bottom planar view thereof; and, FIG. 8 is a bottom isometric view thereof. The broken lines form no part of the claimed design.

1 Claim, 7 Drawing Sheets



(56)

References Cited

U.S. PATENT DOCUMENTS

D620,651 S * 7/2010 Enervold D32/17
 7,766,256 B2 8/2010 Owes
 D623,363 S * 9/2010 Ediger D32/17
 7,866,571 B2 1/2011 Muller et al.
 7,946,511 B2 5/2011 Ballu
 D648,908 S * 11/2011 Ediger D32/17
 D656,693 S * 3/2012 Lavy D32/17
 8,224,481 B2 7/2012 Bylsma et al.
 D668,822 S * 10/2012 Tinius D32/15
 8,327,845 B2 12/2012 Weinstein et al.
 D674,564 S * 1/2013 Mangano D32/17
 D675,713 S * 2/2013 Christensen D23/225
 8,726,939 B2 * 5/2014 Laible B05B 7/12
 137/892
 D708,801 S * 7/2014 Israel D32/17
 9,414,580 B2 8/2016 Franks et al.
 D777,991 S * 1/2017 Rousseau D29/125
 9,788,536 B1 10/2017 Dixon
 9,795,976 B2 10/2017 Eames et al.
 D822,162 S * 7/2018 Bonaventura D23/225
 10,028,497 B1 7/2018 Brookins
 D827,563 S * 9/2018 Burks D13/102
 D836,861 S * 12/2018 Tse D32/15
 D844,263 S * 3/2019 Ediger D32/17
 D869,107 S * 12/2019 Israel D32/17
 D905,358 S * 12/2020 Suzuki D32/21
 D905,359 S * 12/2020 Sun D32/21
 2004/0046052 A1 3/2004 Chang
 2004/0118947 A1 * 6/2004 Amaduzzi B05B 12/002
 239/525
 2004/0135004 A1 7/2004 Fex
 2004/0195383 A1 * 10/2004 Amaduzzi B05B 9/01
 239/526

2004/0255564 A1 12/2004 Loaces
 2006/0123758 A1 6/2006 Loases
 2007/0119972 A1 5/2007 Fex
 2008/0035758 A1 2/2008 Muller et al.
 2009/0008473 A1 1/2009 Yun
 2009/0014558 A1 1/2009 Phillips et al.
 2011/0113586 A1 5/2011 Loaces
 2011/0197389 A1 8/2011 Ota et al.
 2014/0312142 A1 10/2014 Lovett
 2015/0082689 A1 3/2015 Bertrand et al.
 2016/0262372 A1 9/2016 Kunz et al.
 2017/0209840 A1 7/2017 Swallow et al.
 2017/0209893 A1 7/2017 Swallow et al.
 2017/0252766 A1 9/2017 Post et al.
 2018/0207654 A1 7/2018 Phua
 2018/0304295 A1 * 10/2018 O'Mara A61M 35/003
 2018/0352800 A1 12/2018 Franks et al.
 2020/0246764 A1 * 8/2020 Putrello B05B 3/022
 2020/0331009 A1 * 10/2020 Moore B05B 3/1021
 2020/0391236 A1 * 12/2020 Recker B05B 7/0081

OTHER PUBLICATIONS

Co-Pending U.S. Appl. No. 16/902,922, Mist Sprayer Apparatus, filed Jun. 16, 2020 (Year: 2020).*
 Co-Pending U.S. Appl. No. 62/979,760, Mist Sprayer Apparatus, filed Feb. 21, 2020 (Year: 2020).*
 Mist Sprayer Blower <https://www.winderstexas.com/catalog/p/GENEON-MIS01/SSS-The-Mist-Sprayer-Blower/>(Year: 2021).*
 Electric Fogging Machine <https://www.envoplansupplies.co.uk/product/envofog-fogging-machine/> (Year: 2021).*
 MooGun <http://www.biotechsystem.in.th/en/ULV-plugged-mist-sprayer-22911> (Year: 2018).*

* cited by examiner

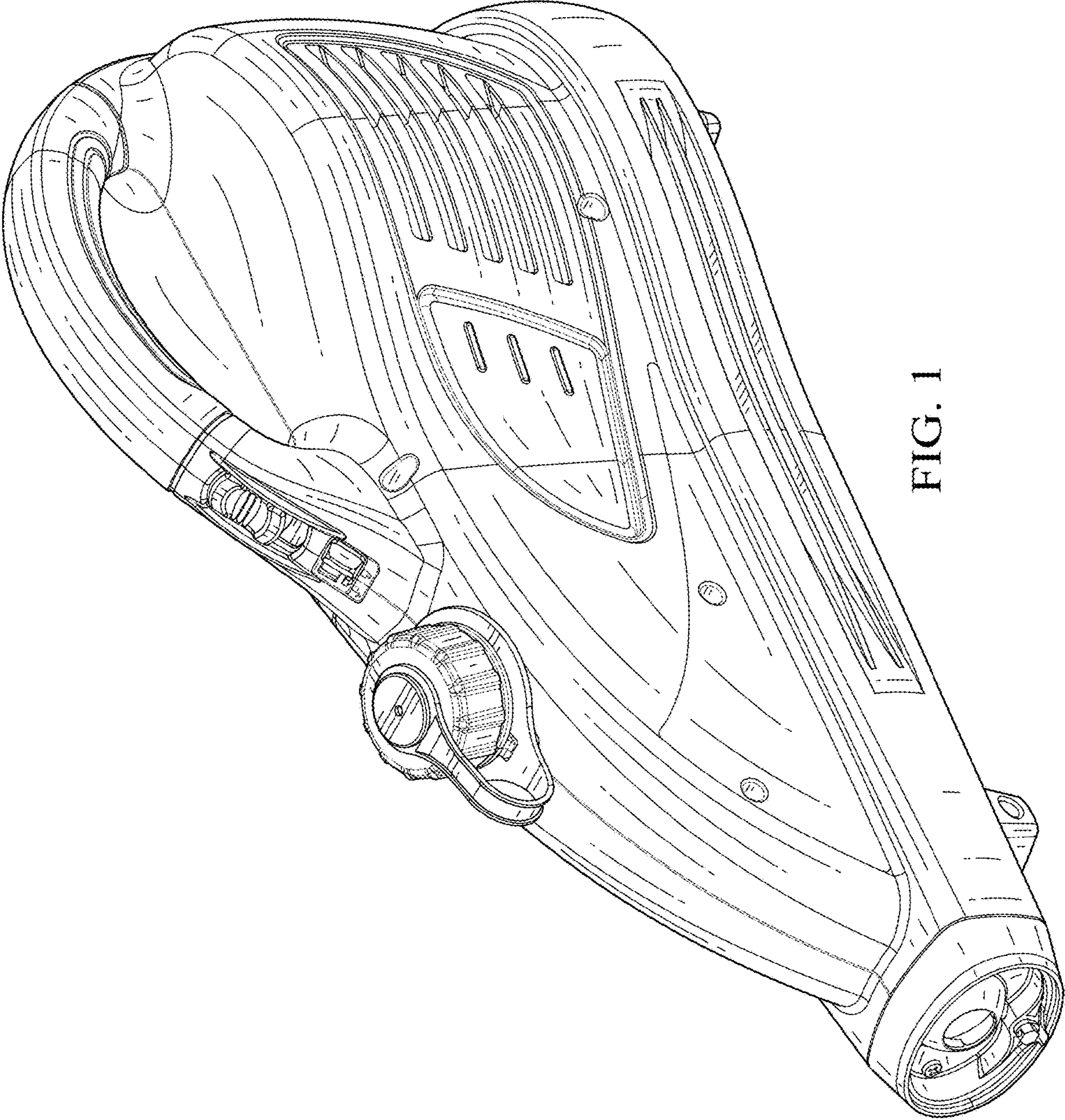


FIG. 1

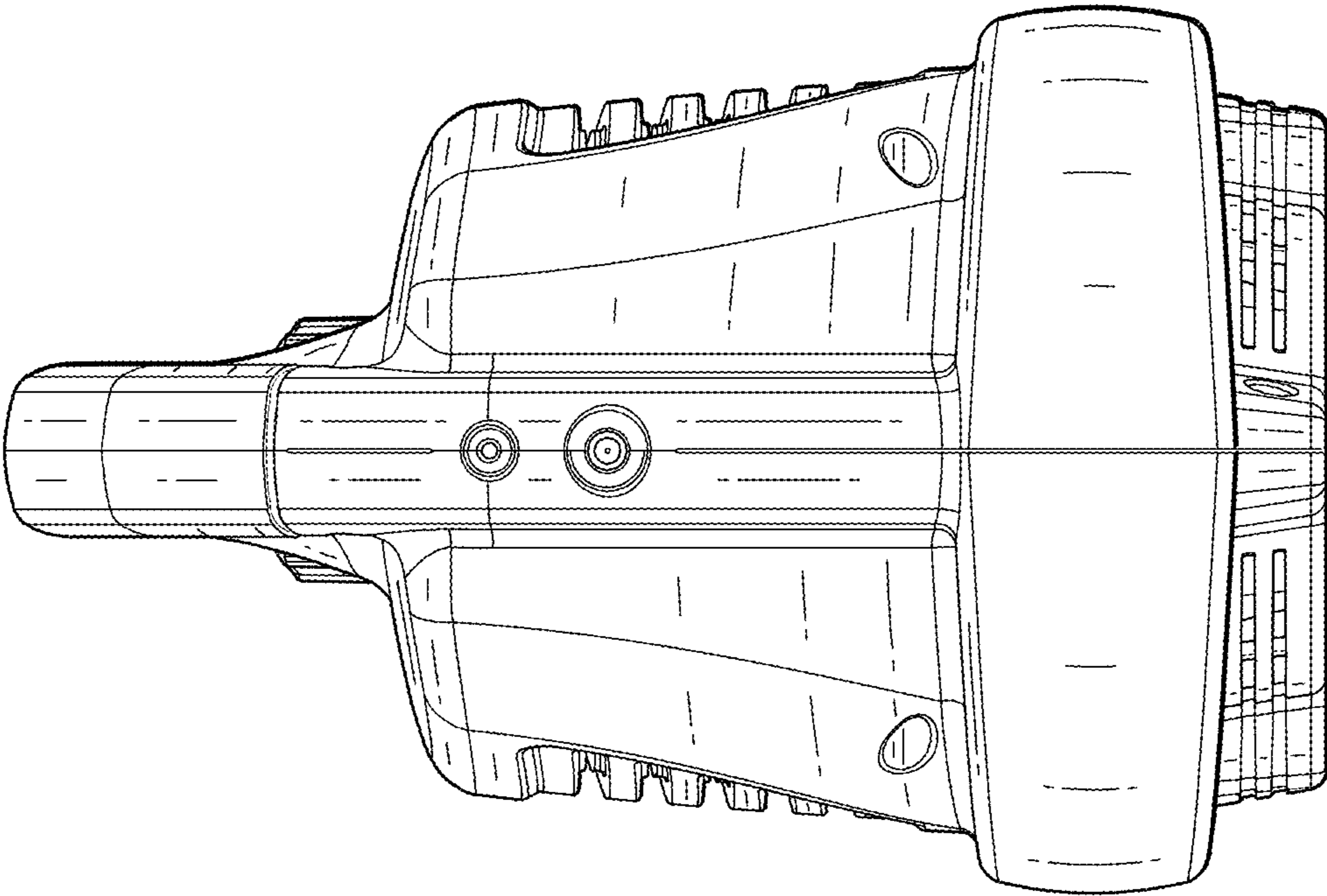


FIG. 3

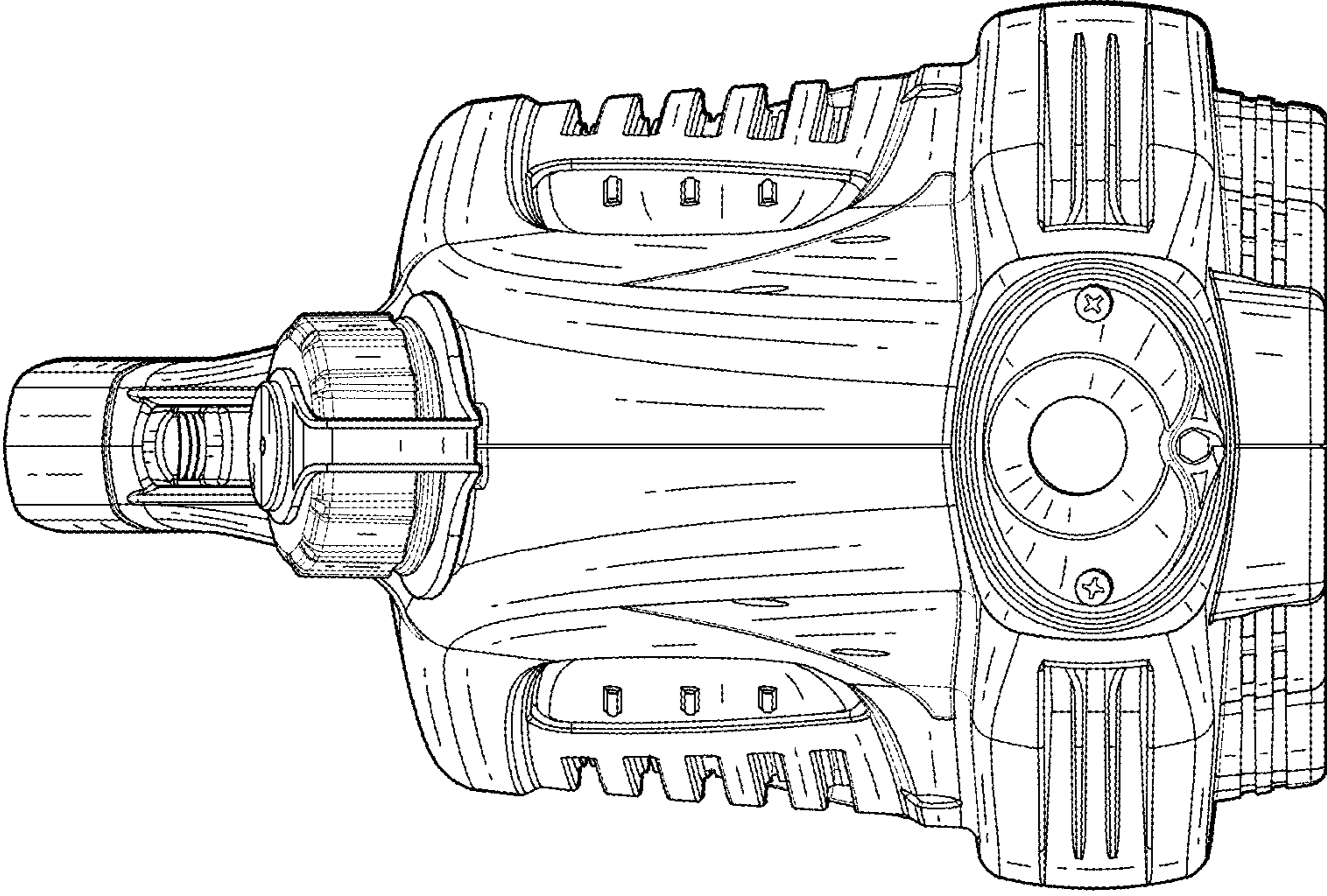


FIG. 2

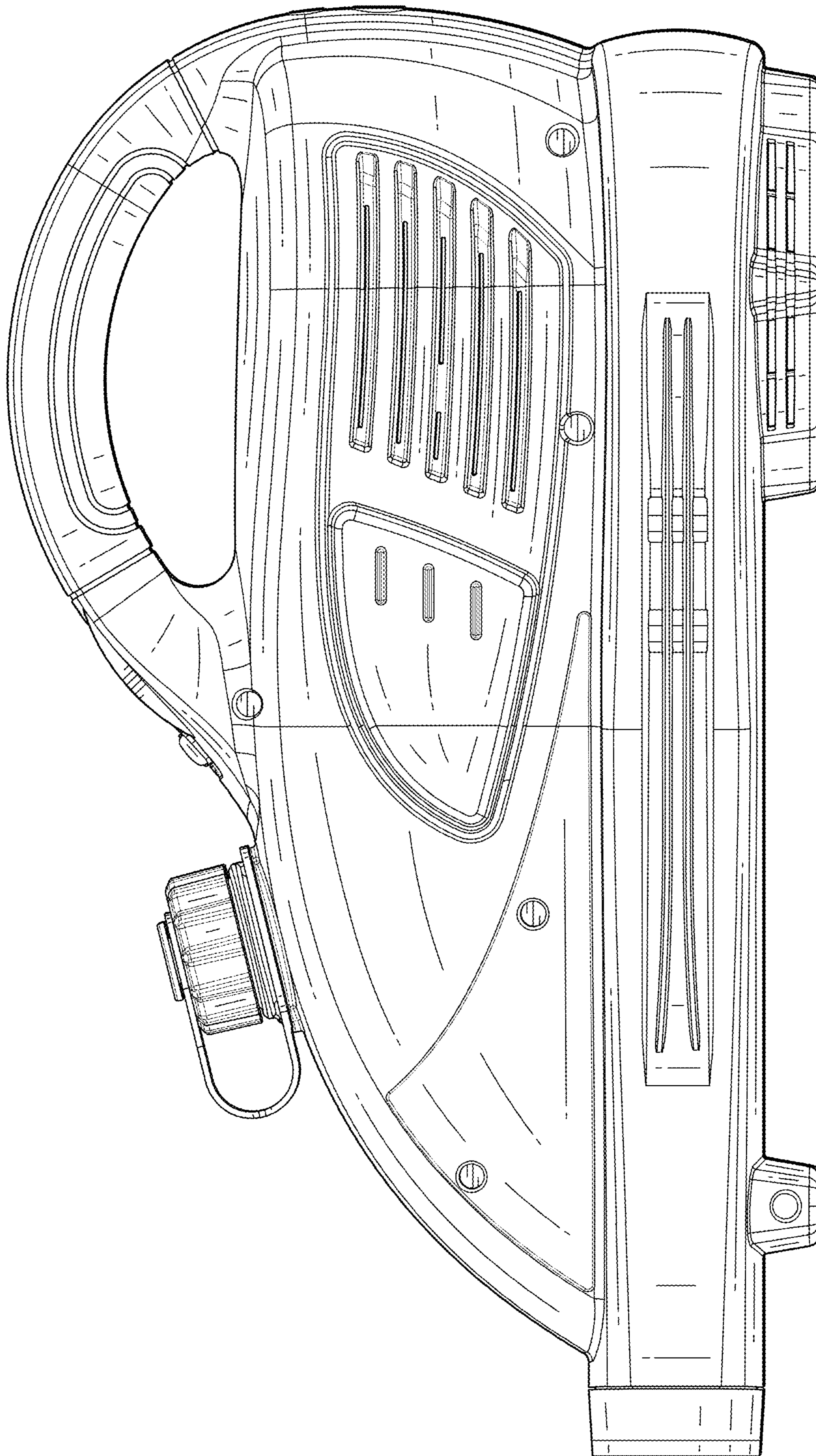


FIG. 4

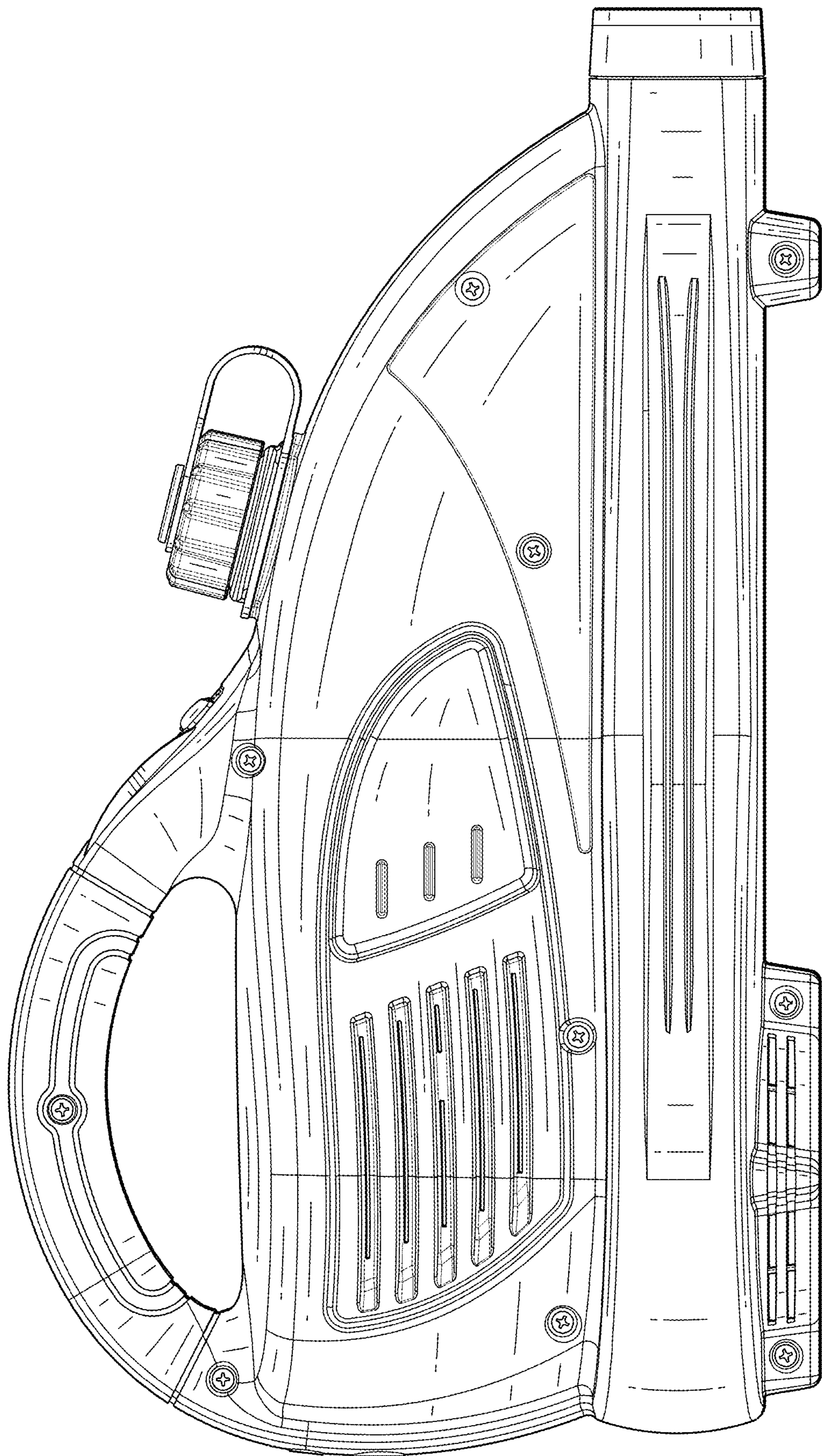


FIG. 5

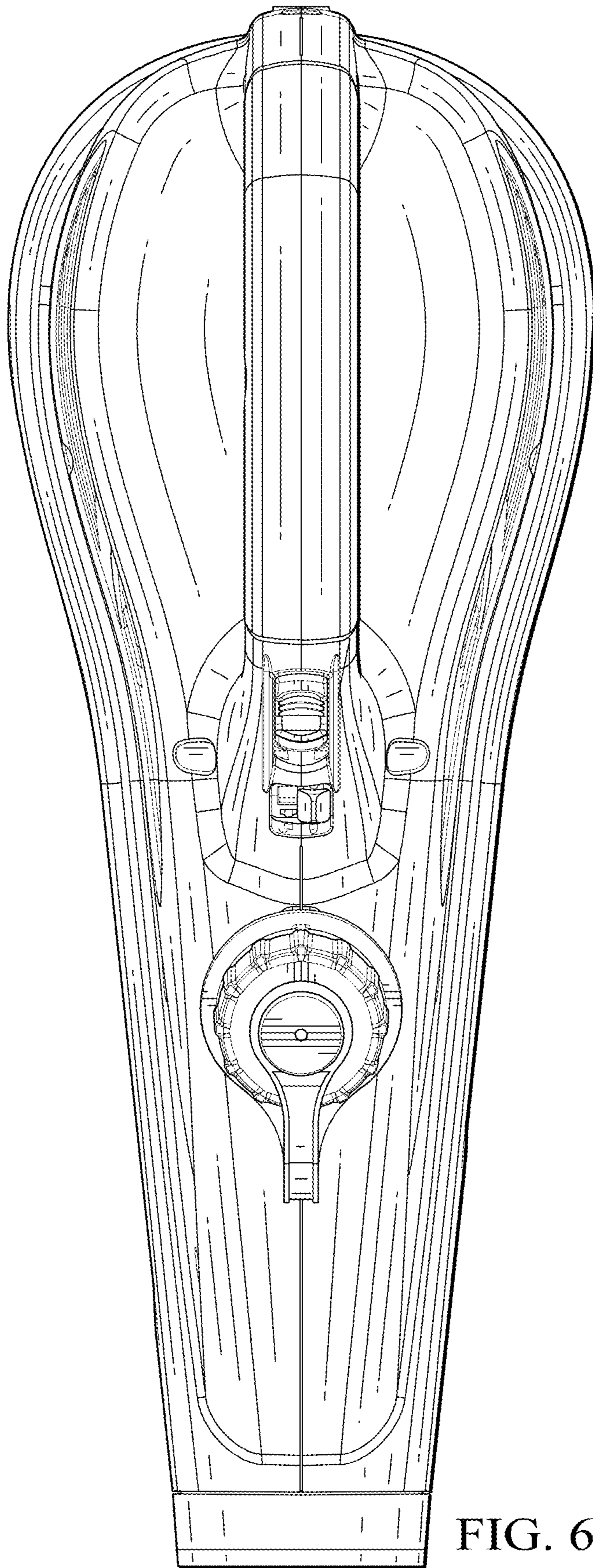


FIG. 6

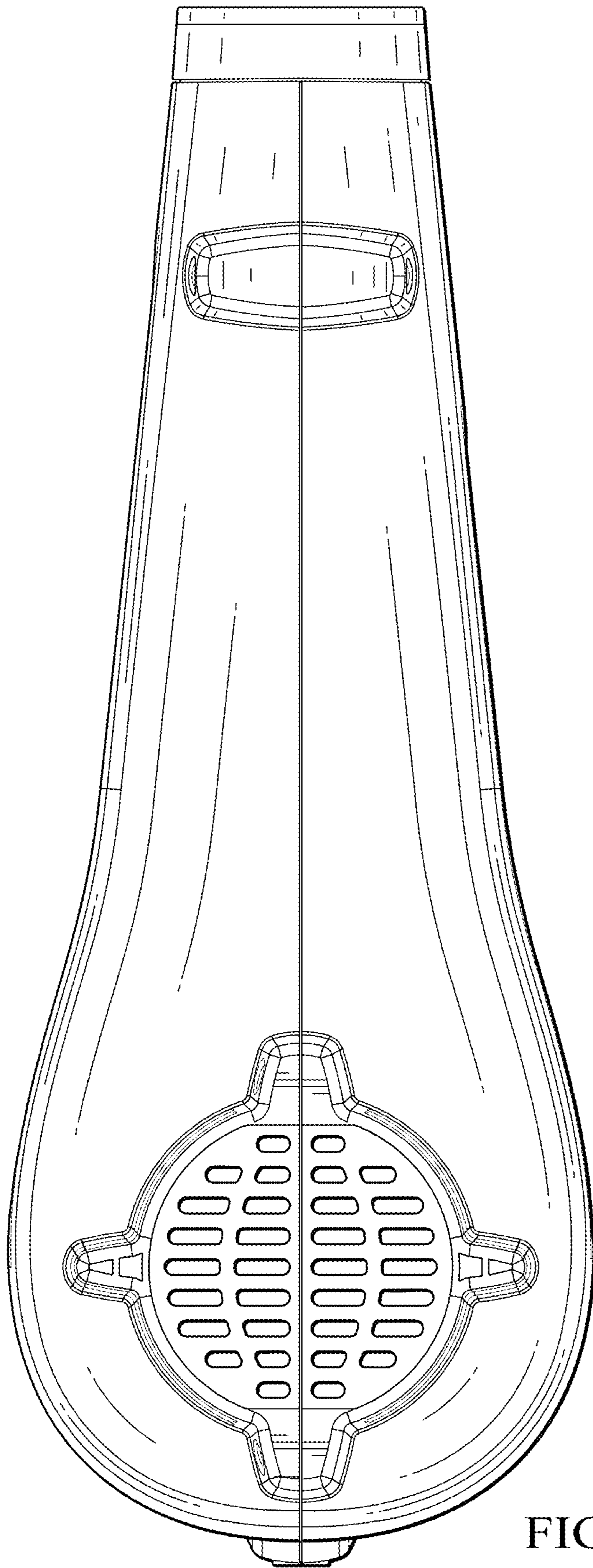


FIG. 7

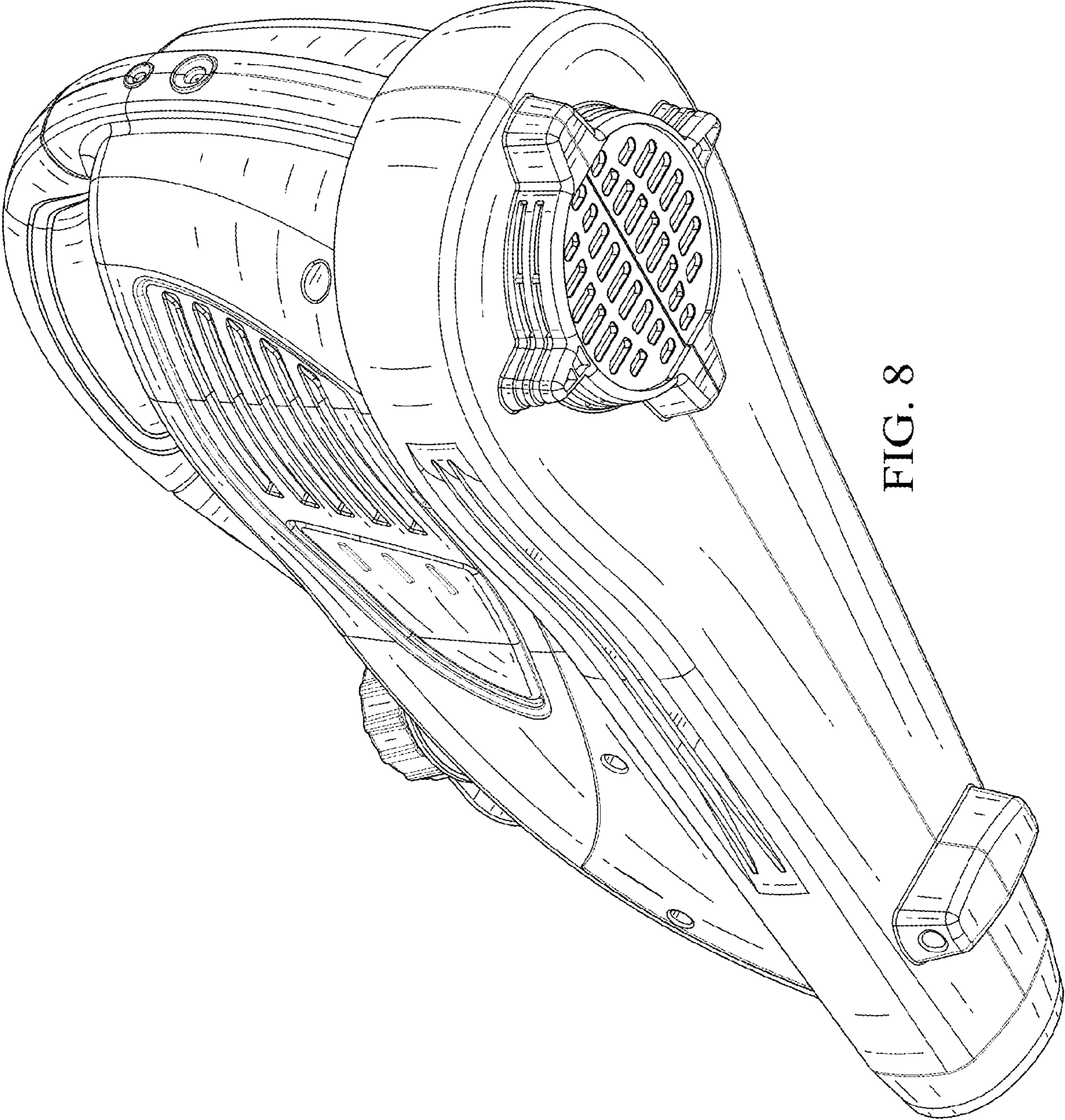


FIG. 8