



US00D922519S

(12) **United States Design Patent** (10) **Patent No.:** **US D922,519 S**
Anderson (45) **Date of Patent:** **** Jun. 15, 2021**

- (54) **PRESSURIZED GAS DISPENSER**
- (71) Applicant: **Kenneth W. Anderson**, Boerne, TX (US)
- (72) Inventor: **Kenneth W. Anderson**, Boerne, TX (US)
- (**) Term: **15 Years**
- (21) Appl. No.: **29/687,995**
- (22) Filed: **Apr. 17, 2019**
- (51) **LOC (13) Cl.** **23-01**
- (52) **U.S. Cl.**
USPC **D23/207; D23/266**
- (58) **Field of Classification Search**
USPC D23/200–207, 213–214, 259, 266, 268;
55/356
CPC F17C 13/00; F16L 11/00
See application file for complete search history.

- 5,850,503 A * 12/1998 Onken F24H 1/202
392/441
- D532,864 S * 11/2006 Mather D23/213
- D687,512 S * 8/2013 Cullimore D23/207
- D785,675 S * 5/2017 Reeves D15/5
- D840,002 S * 2/2019 Anderson D23/266
- D873,508 S * 1/2020 Loibl D30/160
- D886,252 S * 6/2020 Anderson D23/266

* cited by examiner

Primary Examiner — Barbara Fox
Assistant Examiner — Jamaal Rasheed
(74) *Attorney, Agent, or Firm* — Thomas Hamill

(57) **CLAIM**

The ornamental design of a pressurized gas dispenser, as shown and described.

DESCRIPTION

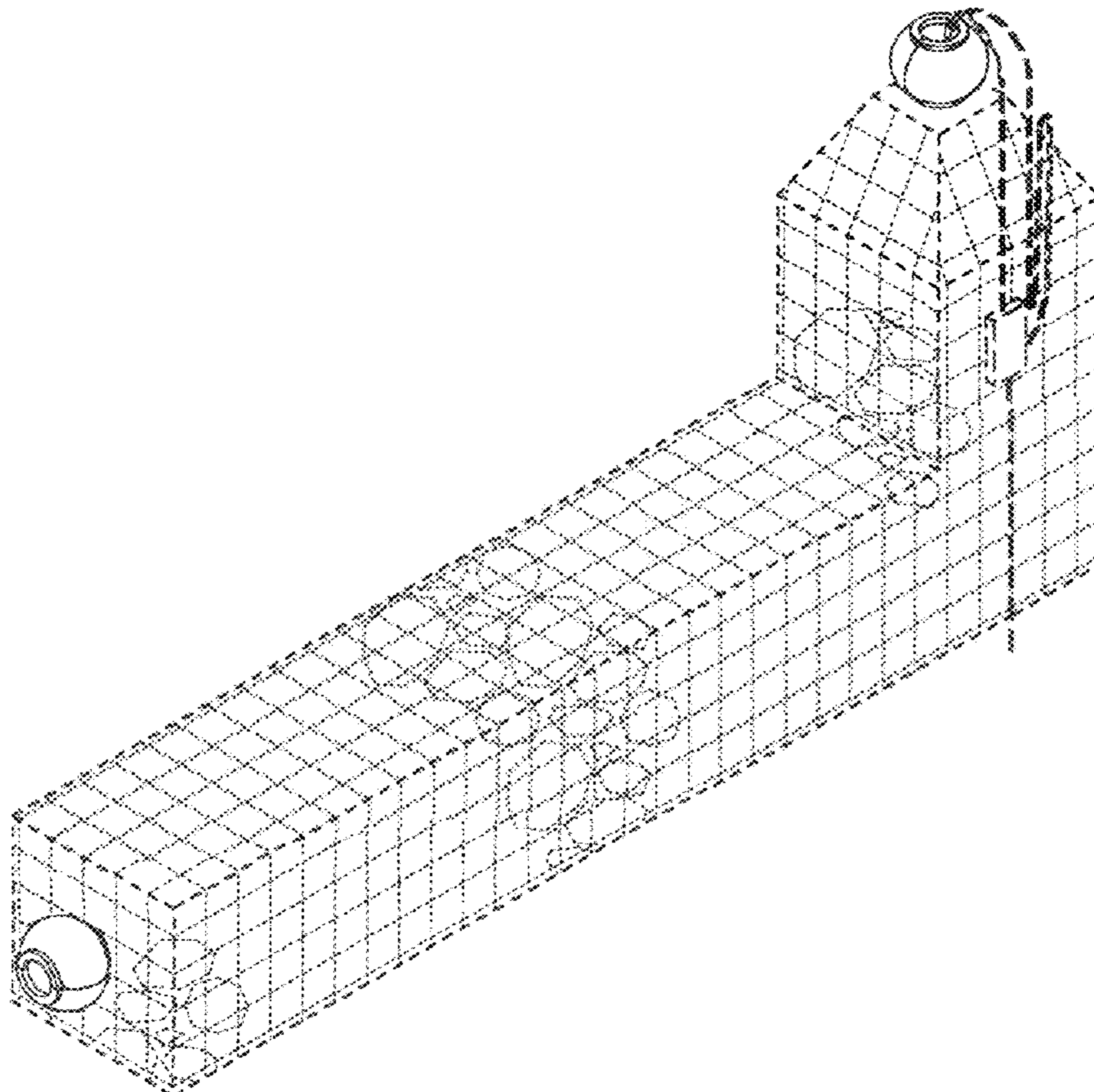
FIG. 1 is a perspective view of the pressurized gas dispenser showing the new design.
FIG. 2 is a right side view of the invention.
FIG. 3 is a left side view of the invention.
FIG. 4 is a rear view of the invention.
FIG. 5 is a front view of the invention.
FIG. 6 is a top view of the invention; and,
FIG. 7 is a bottom view of the invention.
The broken lines shown in the drawings depict portions of the pressurized gas dispenser that form no part of the claimed design.

(56) **References Cited**

U.S. PATENT DOCUMENTS

- D35,536 S * 12/1901 Radcliffe D23/268
- D112,675 S * 12/1938 Bittner et al. D23/264
- D113,439 S * 2/1939 Reinecke D23/213
- D118,419 S * 1/1940 Rockwood D23/213
- D231,823 S * 6/1974 Sharp D23/207

1 Claim, 4 Drawing Sheets



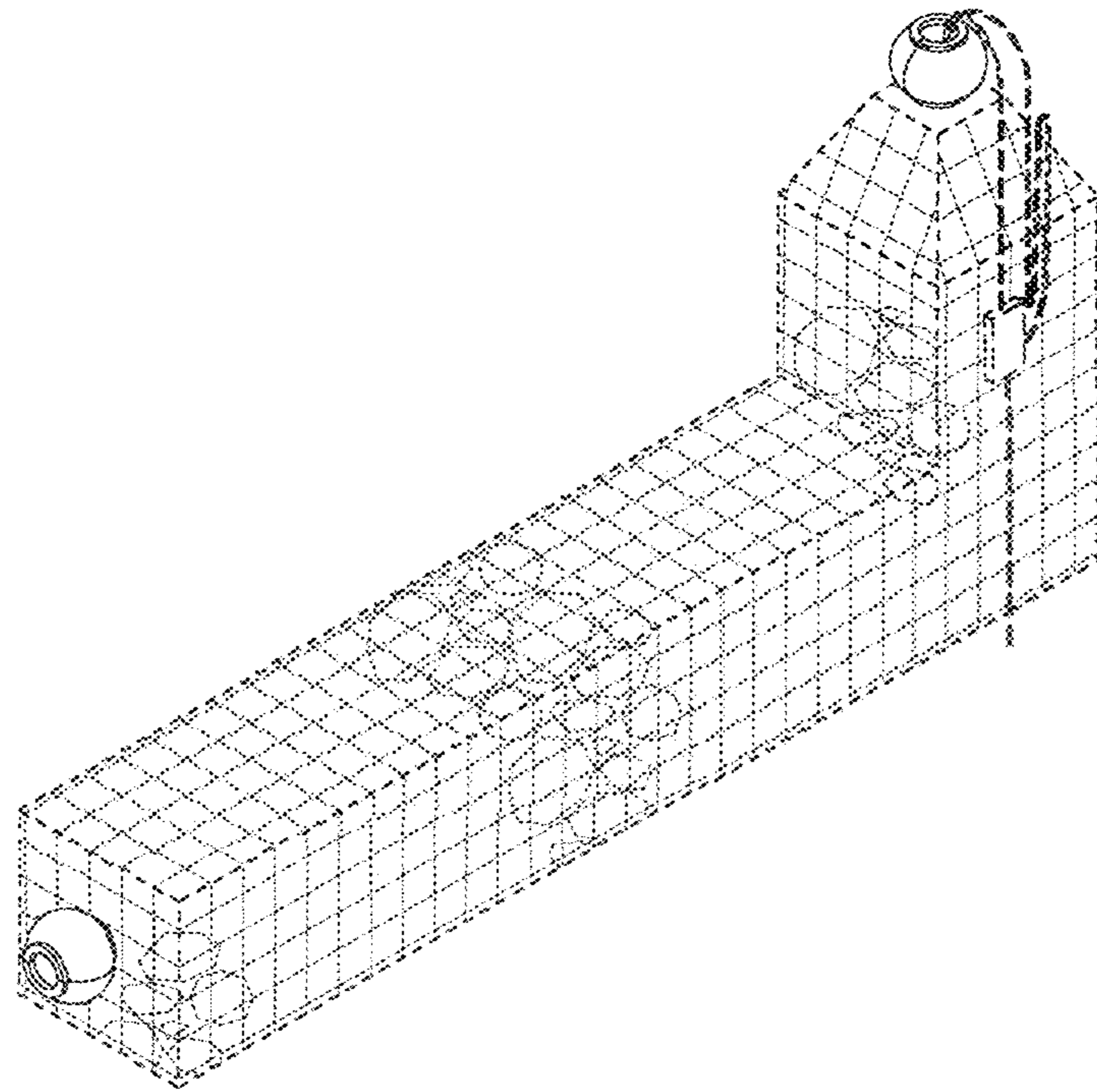


FIG. 1

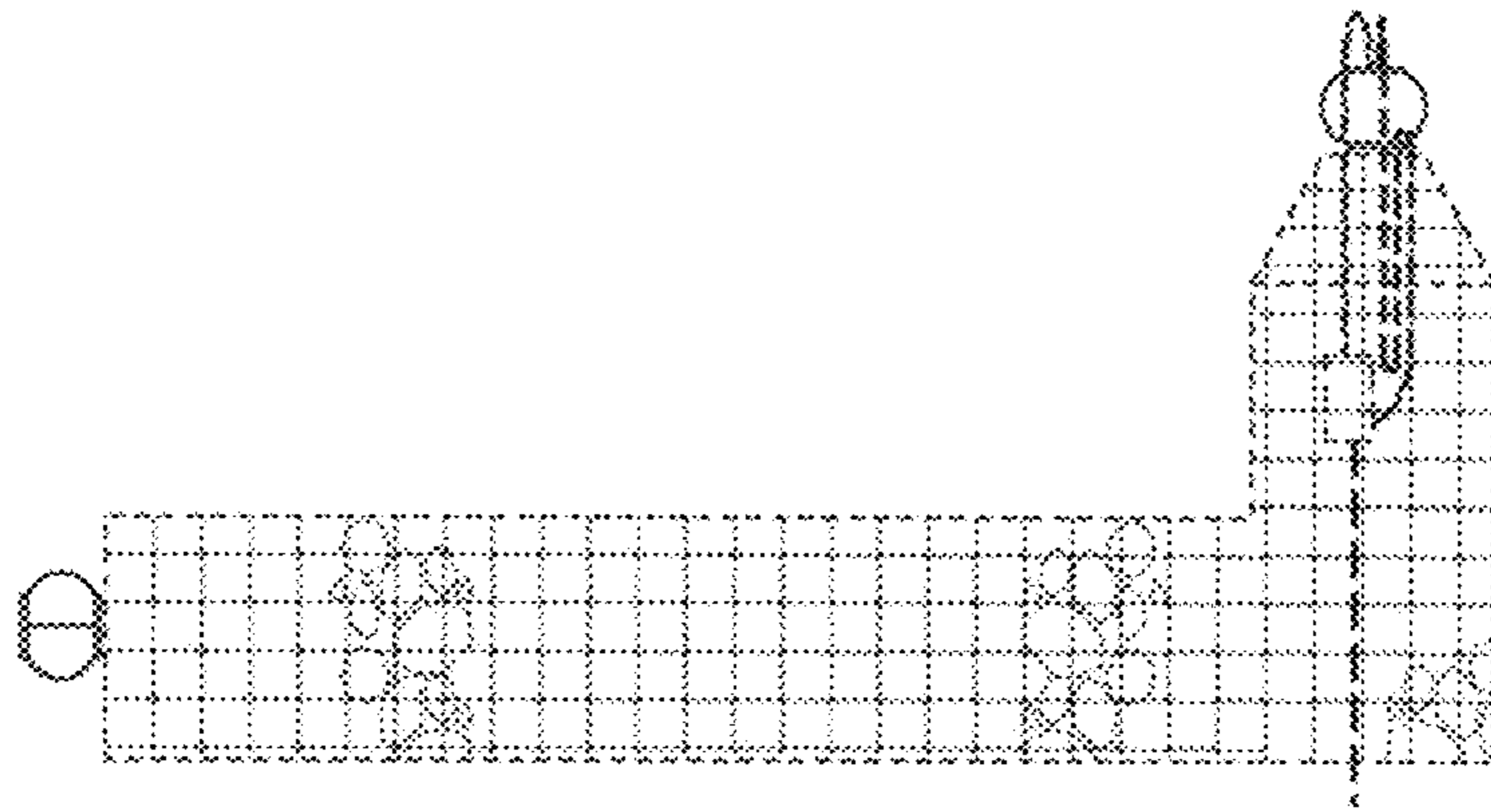


FIG. 2

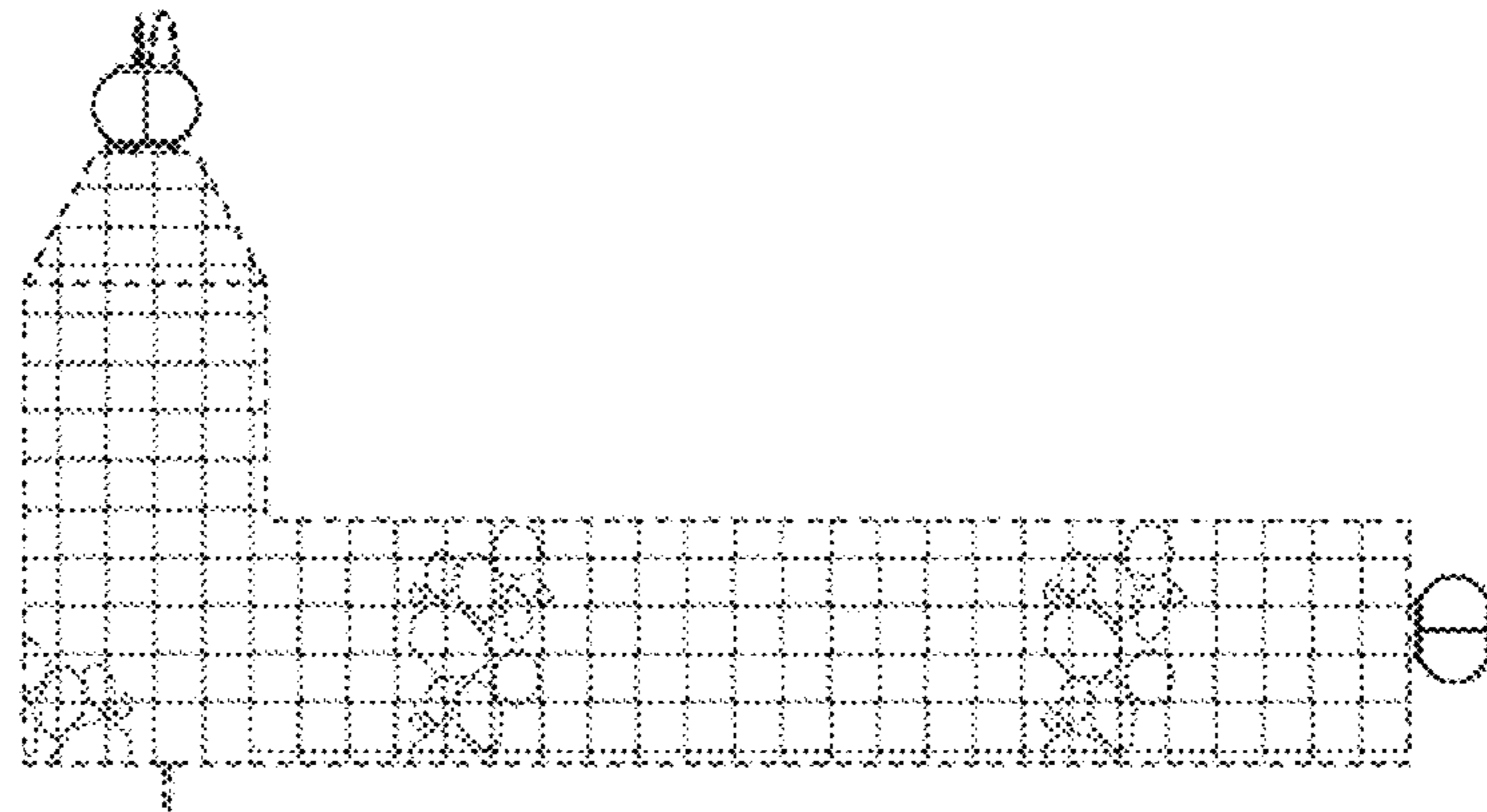


FIG. 3



FIG. 4

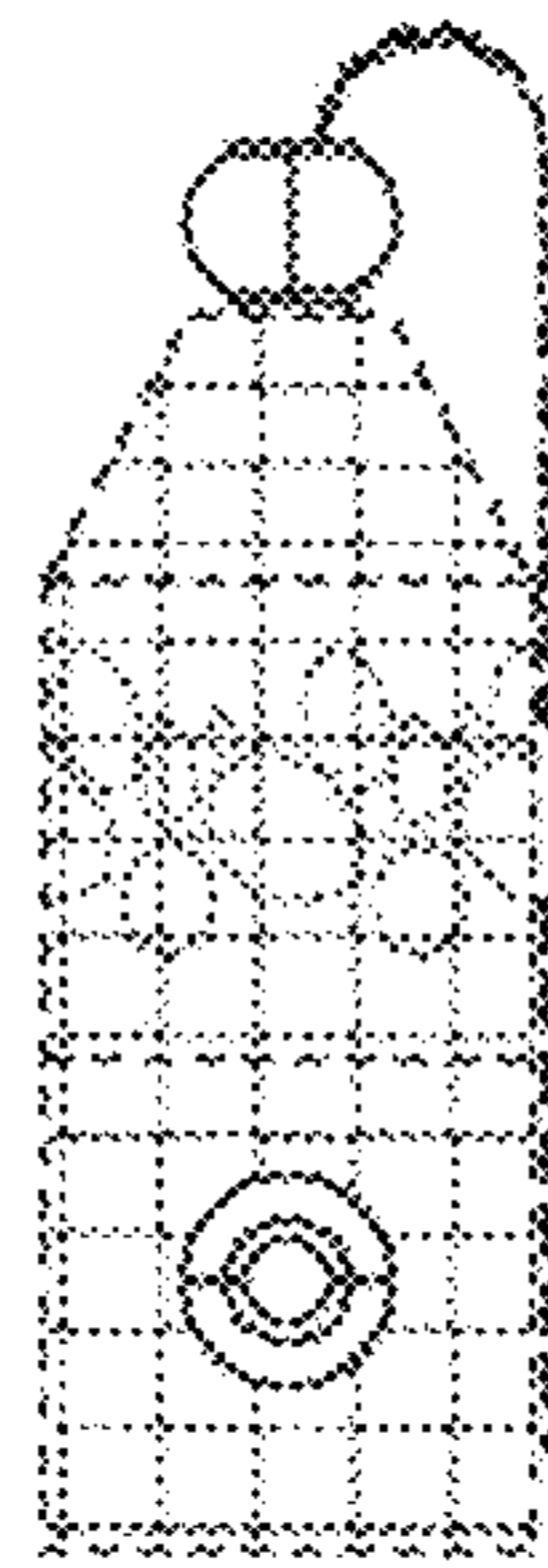


FIG. 5

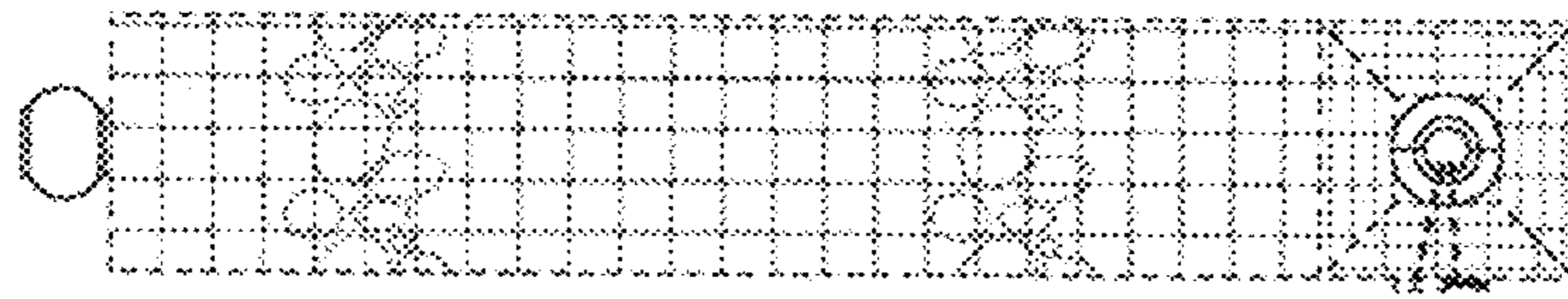


FIG. 6

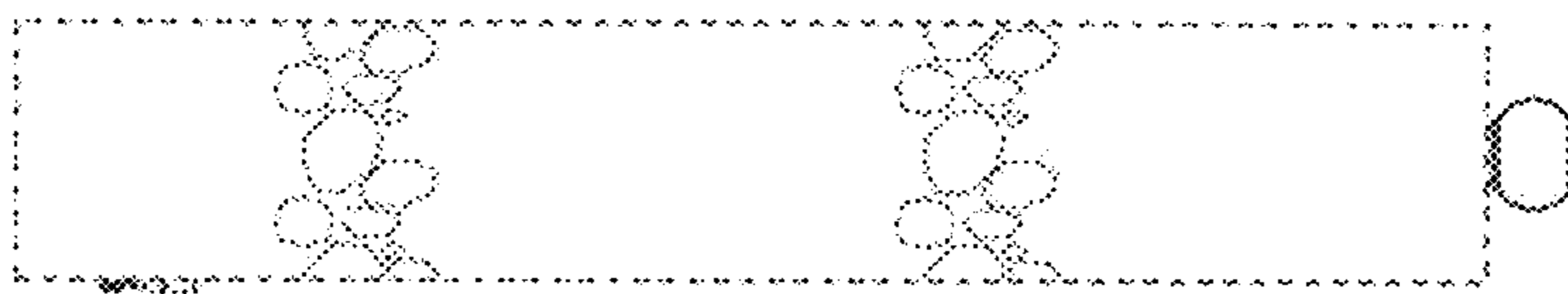


FIG. 7