



US00D922515S

(12) **United States Design Patent**
Ozanne

(10) **Patent No.:** **US D922,515 S**

(45) **Date of Patent:** **** Jun. 15, 2021**

(54) **CROSSBOW BUTTSTOCK**

(71) Applicant: **MCP IP, LLC**, Sparta, WI (US)

(72) Inventor: **Jeffrey A. Ozanne**, Sparta, WI (US)

(73) Assignee: **MCP IP, LLC**, Sparta, WI (US)

(**) Term: **15 Years**

(21) Appl. No.: **29/632,681**

(22) Filed: **Jan. 9, 2018**

(51) **LOC (13) Cl.** **22-01**

(52) **U.S. Cl.**
USPC **D22/111**; D22/107; D21/571

(58) **Field of Classification Search**
USPC D22/100, 103, 108, 109, 110, 111, 113,
D22/115, 116, 199; D21/567, 573, 571
CPC F41A 23/08; F41A 23/10; F41A 21/16;
F41A 21/22; F41C 23/00; F41C 7/00;
F41J 1/10; F41G 1/30

See application file for complete search history.

(56) **References Cited**

U.S. PATENT DOCUMENTS

7,997,258	B2	8/2011	Shepley et al.	
D716,398	S *	10/2014	Barnett	D22/107
D738,981	S *	9/2015	Zusman	D22/108
D747,427	S *	1/2016	Zusman	D22/108
D773,005	S *	11/2016	Ding	D22/108
9,500,433	B2 *	11/2016	McPherson	F41B 5/1403
D775,299	S *	12/2016	Barnett	D22/107
9,658,025	B2	5/2017	Trpkovski	
D828,476	S *	9/2018	Smith	D22/108

D840,495	S *	2/2019	Kindig	D22/111
10,254,074	B2 *	4/2019	McPherson	F41B 5/123
D865,104	S *	10/2019	Kindig	D22/108
10,480,893	B2 *	11/2019	McPherson	F41B 5/123
10,563,949	B2 *	2/2020	McPherson	F41B 5/1469
2014/0069402	A1	3/2014	McPherson	
2014/0069404	A1	3/2014	McPherson	
2014/0075815	A1 *	3/2014	Jarboe	F41C 23/04 42/73
2015/0233664	A1	8/2015	McPherson	
2019/0170474	A1 *	6/2019	McPherson	F41B 5/1469

* cited by examiner

Primary Examiner — Khawaja Anwar

Assistant Examiner — Mojtaba Tehrani

(74) *Attorney, Agent, or Firm* — Laabs Intellectual Property

(57) **CLAIM**

The ornamental design for a crossbow buttstock, as shown and described.

DESCRIPTION

FIG. 1 is an angled view of the crossbow buttstock.

FIG. 2 is a top view of the crossbow buttstock.

FIG. 3 is a bottom view of the crossbow buttstock.

FIG. 4 is a back view of the crossbow buttstock.

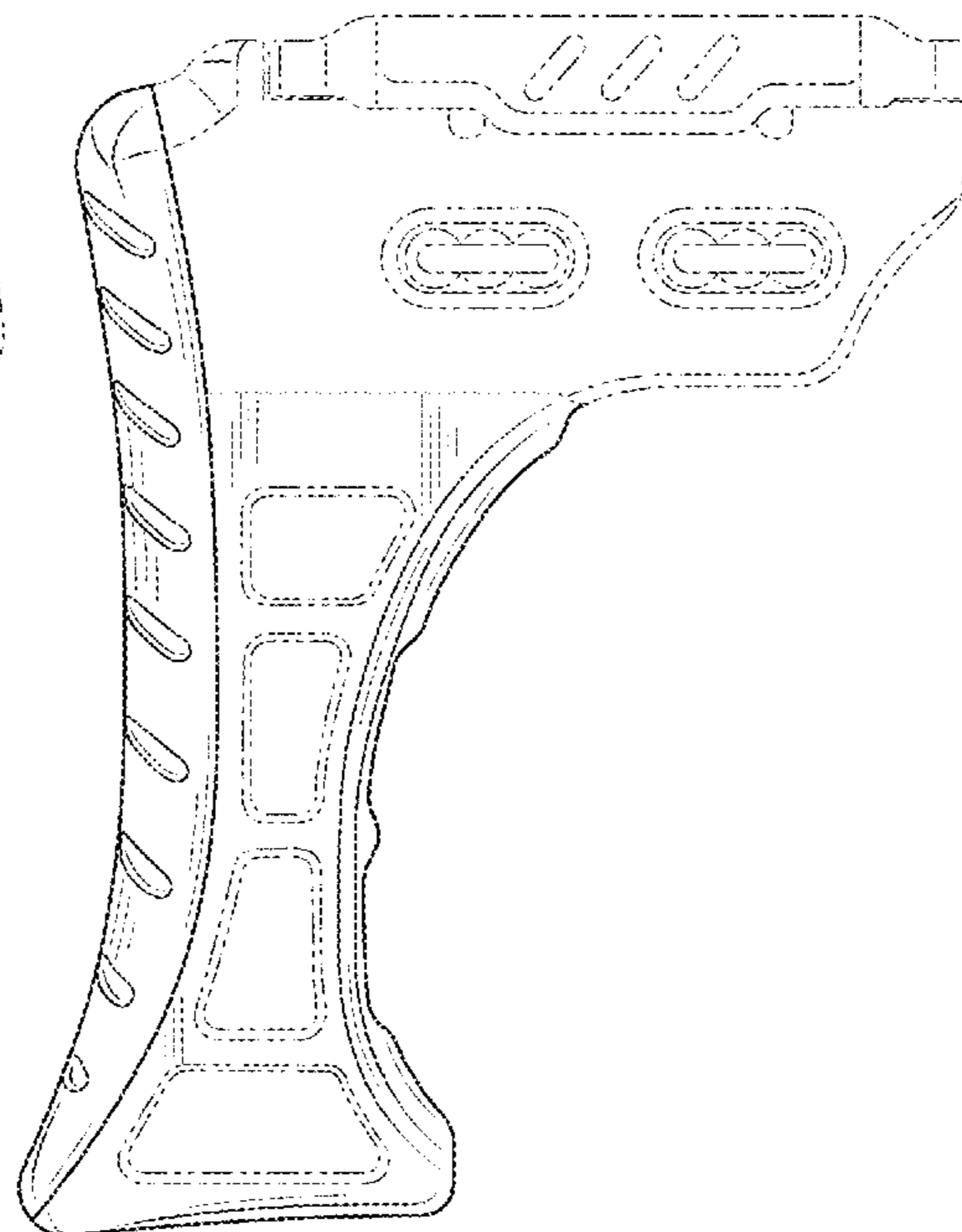
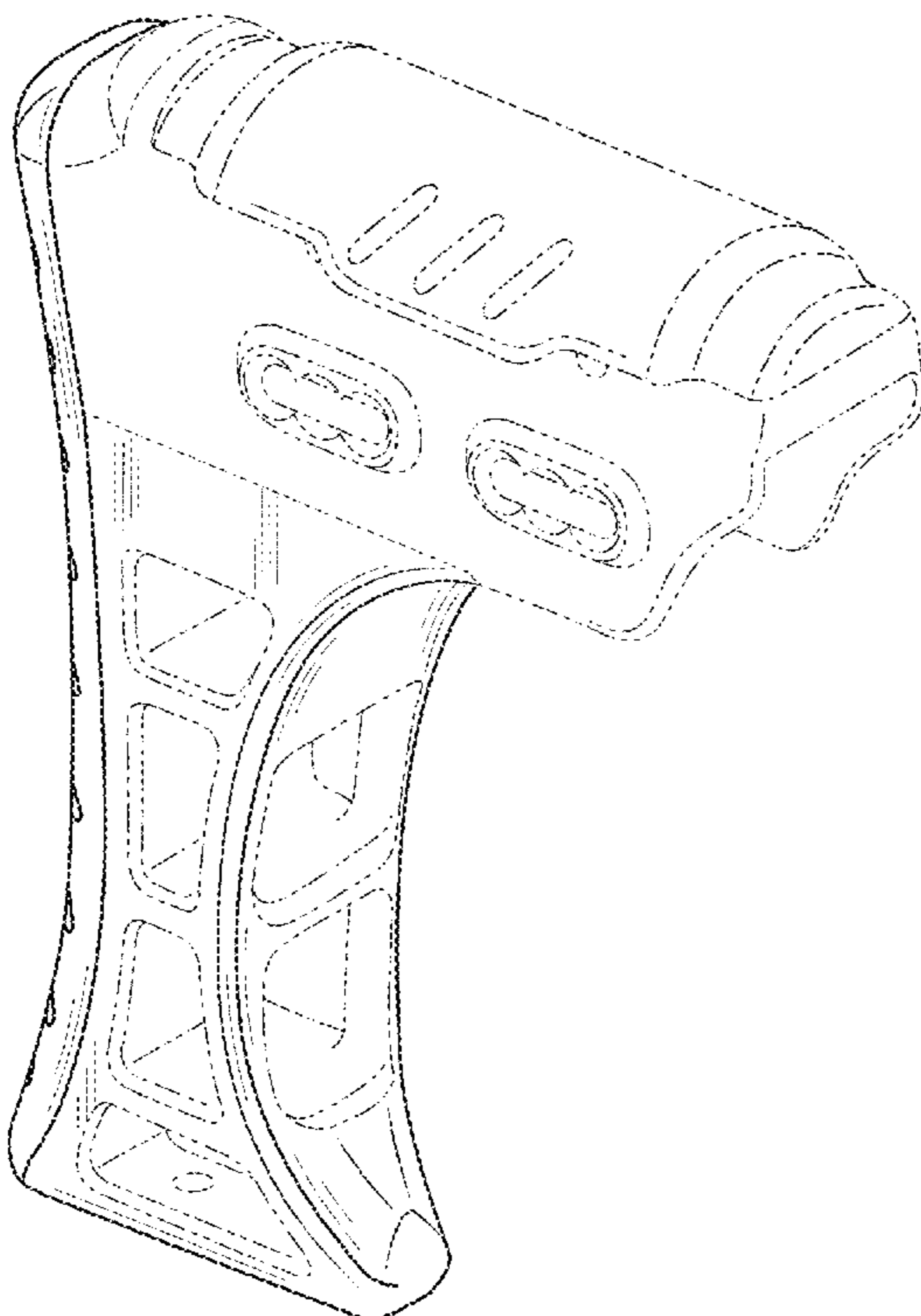
FIG. 5 is a front view of the crossbow buttstock.

FIG. 6 is a left side view of the crossbow buttstock; and,

FIG. 7 is a right side view of the crossbow buttstock.

The dash-dot-dot broken lines in the Figures represent unclaimed portions of the buttstock only; the evenly broken lines depict boundary of the claimed design. The broken lines form no part of the claimed design.

1 Claim, 3 Drawing Sheets



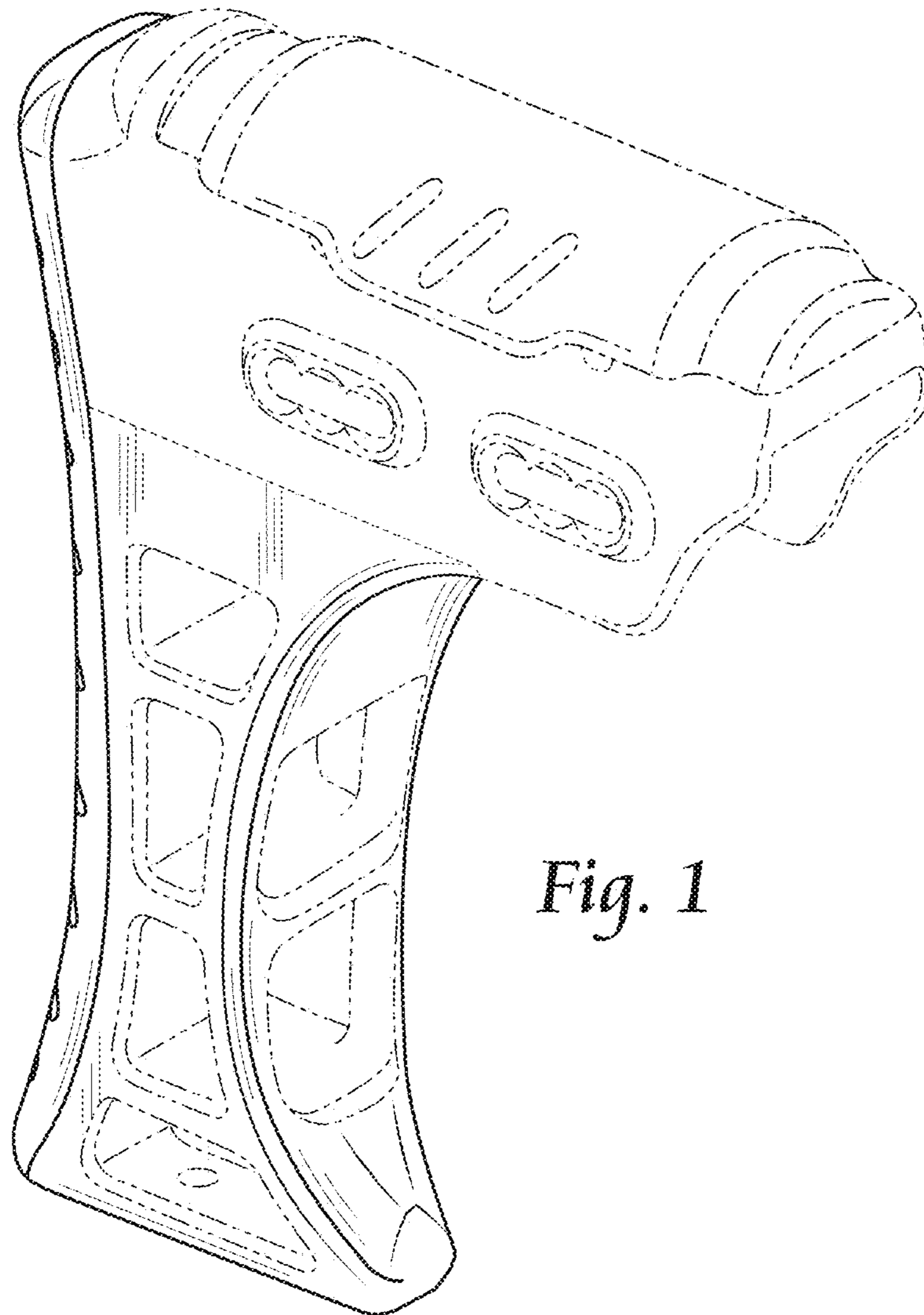
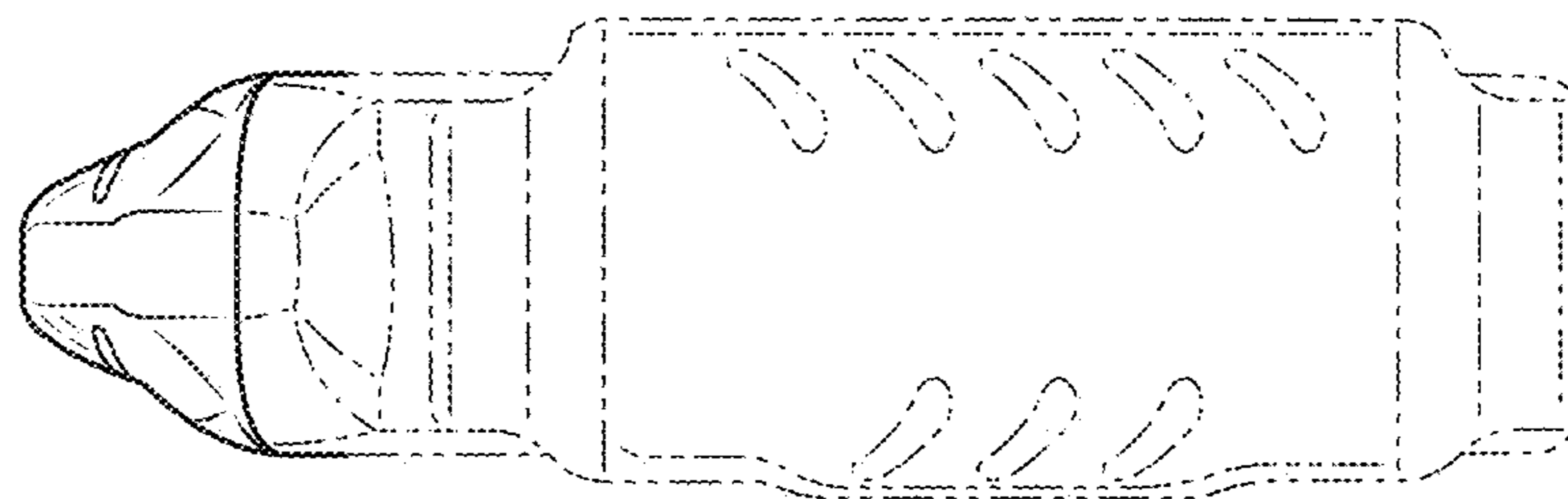


Fig. 1

Fig. 2



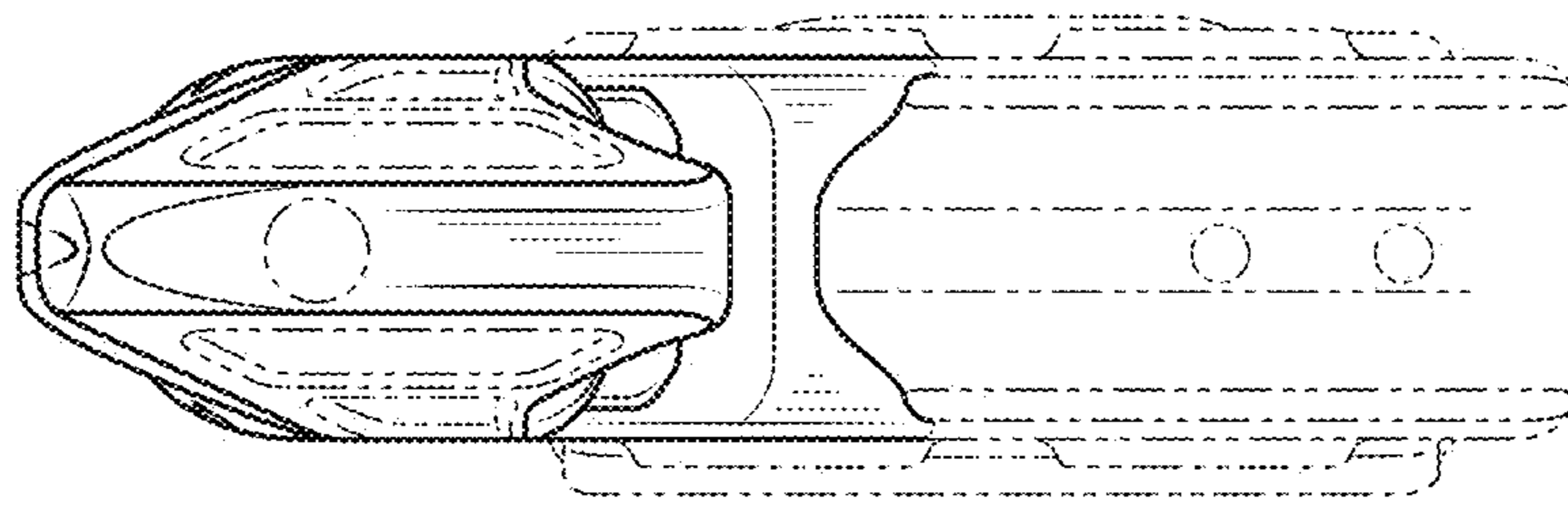


Fig. 3

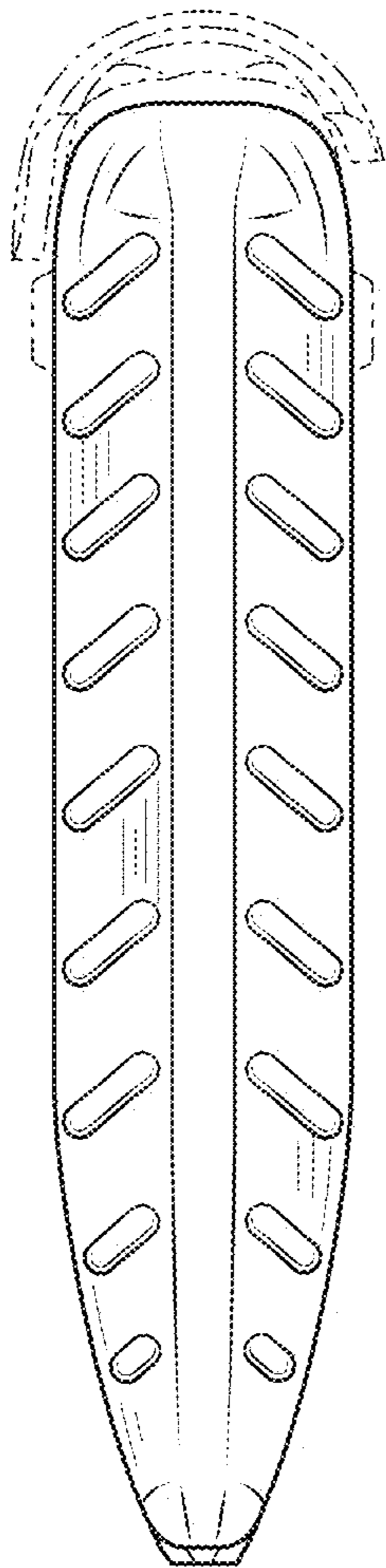


Fig. 4

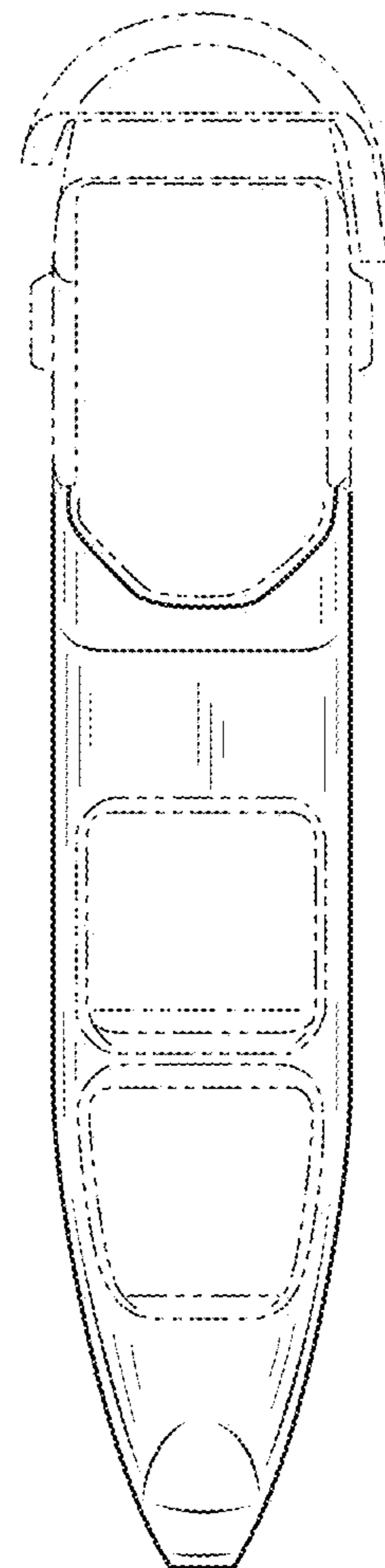


Fig. 5

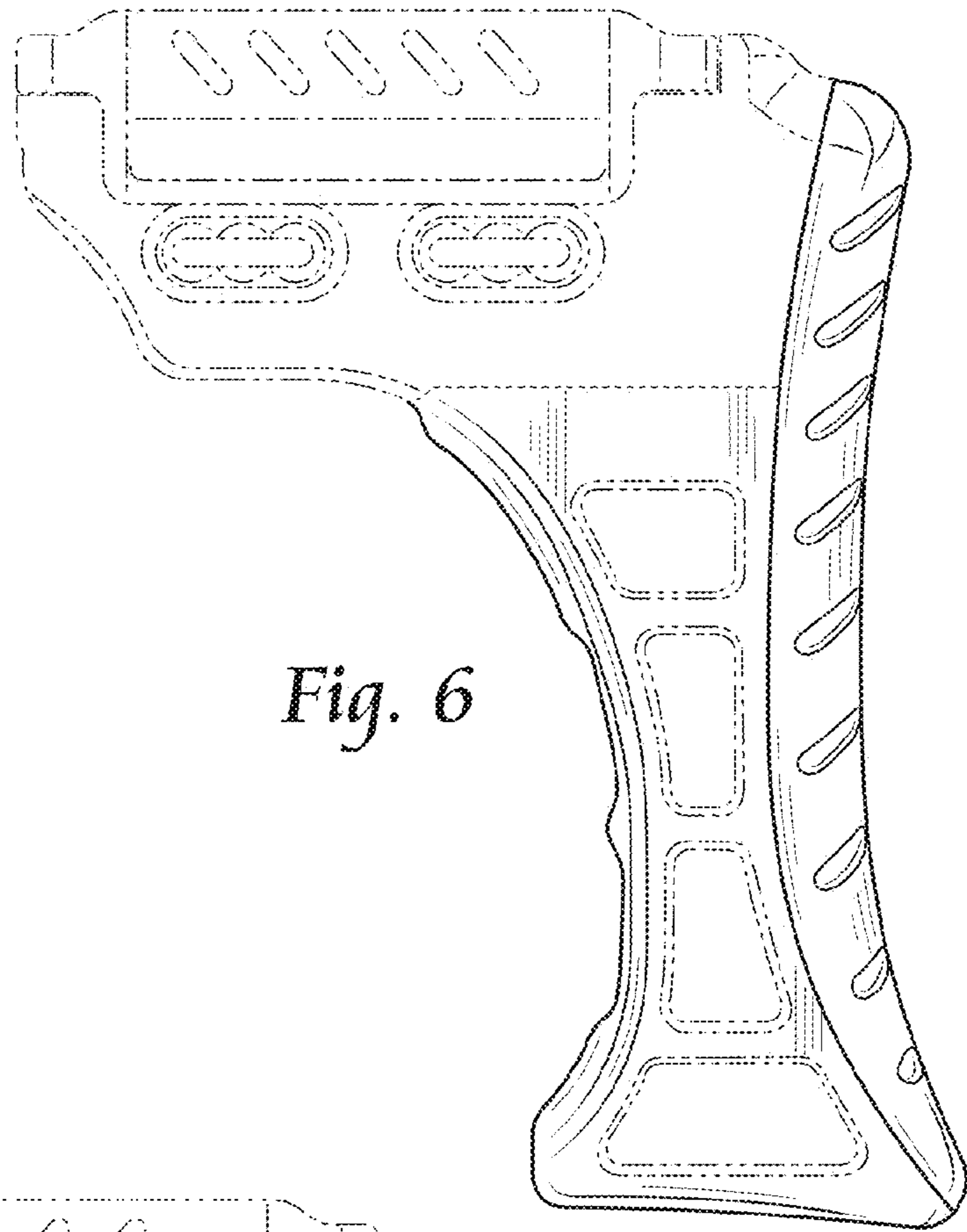


Fig. 6

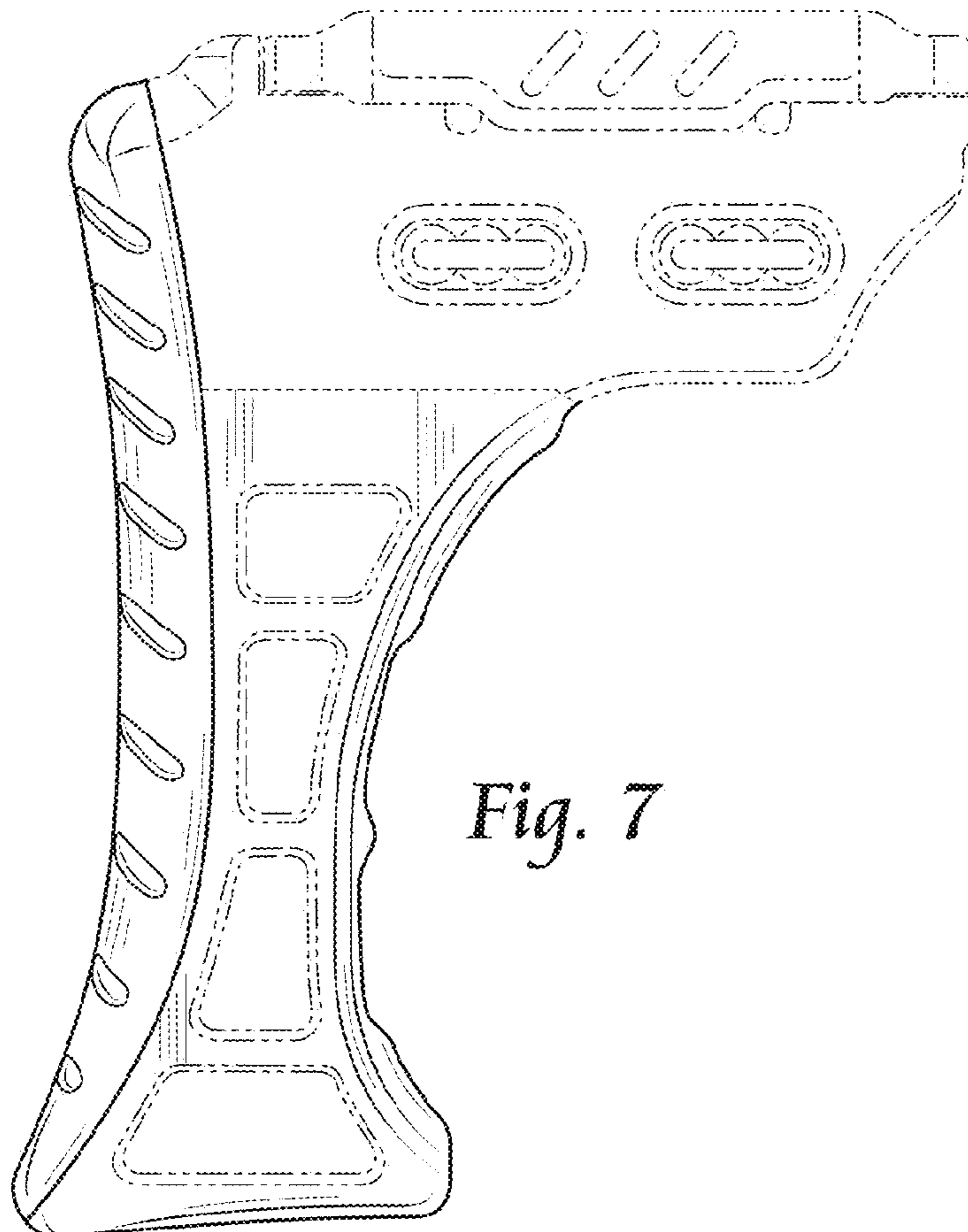


Fig. 7