



US00D922514S

(12) **United States Design Patent**  
**Putnam**

(10) **Patent No.:** **US D922,514 S**  
(45) **Date of Patent:** **\*\* Jun. 15, 2021**

- (54) **GOLF BALL SWING**
- (71) Applicant: **First Season, LLC**, Monroe, CT (US)
- (72) Inventor: **Michael Putnam**, Monroe, CT (US)
- (73) Assignee: **First Season, LLC**, Monroe, CT (US)
- (\*\*) Term: **15 Years**
- (21) Appl. No.: **29/689,353**
- (22) Filed: **Apr. 29, 2019**
- (51) **LOC (13) Cl.** ..... **21-03**
- (52) **U.S. Cl.**  
USPC ..... **D21/825**
- (58) **Field of Classification Search**  
USPC .... D21/811, 814, 822-825, 780, 781, 799.1,  
D21/708-709, 713; D6/334, 386, 677,  
D6/716  
CPC ..... A63G 9/00-22; A45F 3/26; A47C 3/12;  
A47C 3/0255  
See application file for complete search history.

D539,048 S *	3/2007	Zimmermann	.....	D6/358
D539,049 S *	3/2007	Zimmermann	.....	D6/358
D539,050 S *	3/2007	Zimmermann	.....	D6/358
9,861,181 B2 *	1/2018	Wehner	.....	A47C 3/0252
D814,813 S *	4/2018	Hassman	.....	D6/345
D817,013 S *	5/2018	Hassman	.....	D6/345
D819,348 S *	6/2018	Hassman	.....	D6/345
D819,989 S *	6/2018	Hassman	.....	D6/345
D820,605 S *	6/2018	Hassman	.....	D6/345
D820,606 S *	6/2018	Hassman	.....	D6/345
D829,454 S *	10/2018	Wehner	.....	D6/345
D831,988 S *	10/2018	Passmore	.....	D6/334
D861,365 S *	10/2019	Figdor	.....	D6/364
D865,383 S *	11/2019	Wehner	.....	D6/347

(Continued)

*Primary Examiner* — Mitchell I. Siegel

(74) *Attorney, Agent, or Firm* — Whitmyer IP Group LLC

(57) **CLAIM**

The ornamental design for a golf ball swing, as shown and described.

**DESCRIPTION**

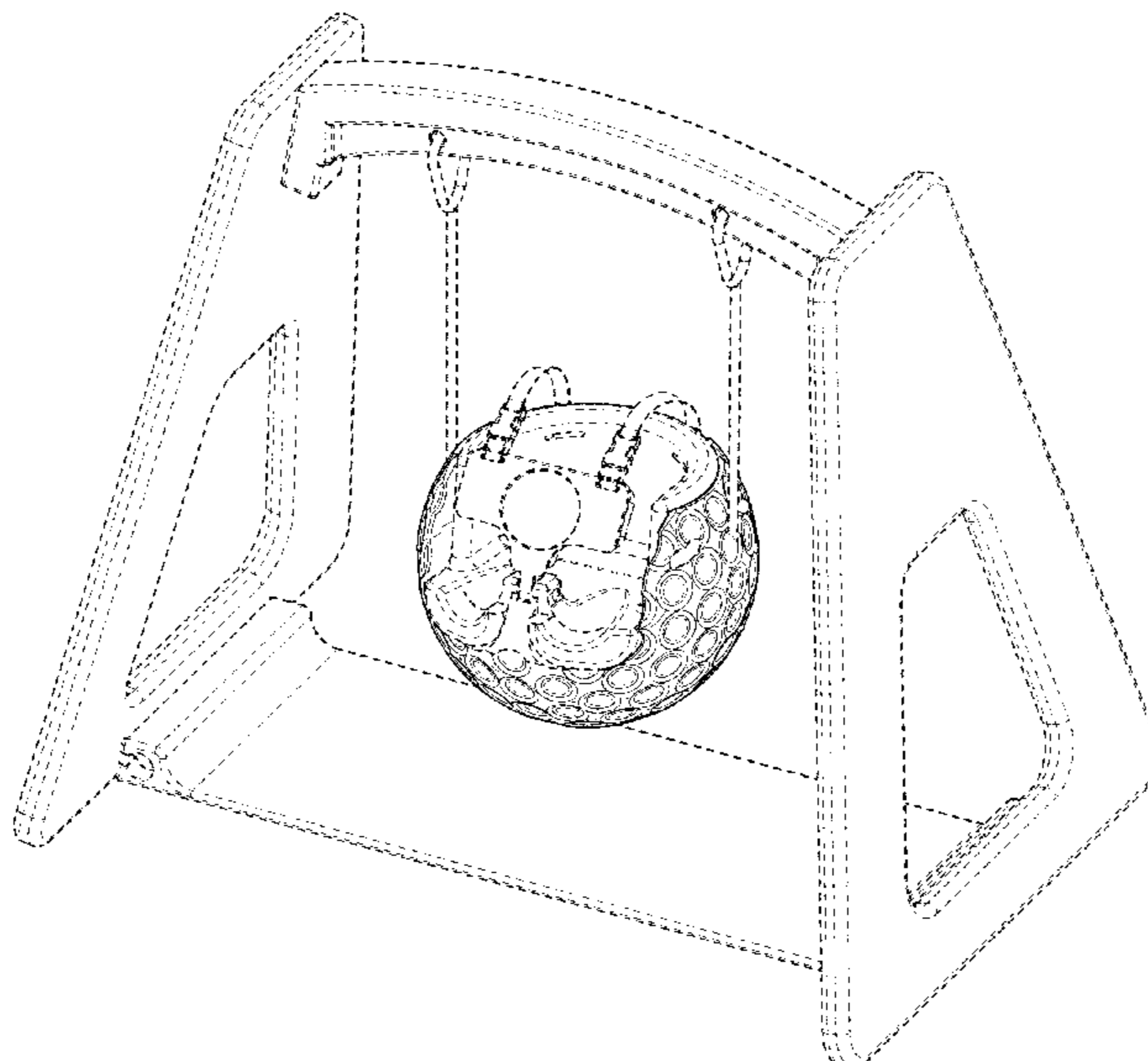
FIG. 1 is a front isometric view of a golf ball swing in accordance with the new design;  
 FIG. 2 is a front elevational view thereof with a seat insert removed;  
 FIG. 3 is a rear elevational view thereof with a seat insert removed;  
 FIG. 4 is a right side elevational view thereof with a seat insert removed;  
 FIG. 5 is a left side elevational view thereof with a seat insert removed;  
 FIG. 6 is a top plan view thereof with a seat insert removed;  
 and,  
 FIG. 7 is a bottom plan view thereof.  
 The broken lines shown in the drawings illustrate portions of the article that form no part of the claimed design.

**1 Claim, 7 Drawing Sheets**

(56) **References Cited**

U.S. PATENT DOCUMENTS

D212,801 S *	11/1968	Aarnio	.....	D6/365
D223,444 S *	4/1972	Glaser	.....	D6/335
D227,053 S *	6/1973	Ris	.....	D6/365
D255,719 S *	7/1980	Panzini	.....	D25/16
D272,260 S *	1/1984	Budde	.....	D21/825
D273,967 S *	5/1984	Budde	.....	D21/825
D274,286 S *	6/1984	Budde	.....	D21/825
D274,347 S *	6/1984	Budde	.....	D21/825
D282,970 S *	3/1986	Parkin	.....	D25/16
D315,644 S *	3/1991	White	.....	D6/344
D327,376 S *	6/1992	Piccamiglio	.....	D21/709
D340,105 S *	10/1993	Houry	.....	D21/825
D346,070 S *	4/1994	Kither	.....	D6/333
D348,361 S *	7/1994	Beecher	.....	D6/364
6,116,682 A *	9/2000	Baur	.....	A47C 3/12
				297/118
D471,843 S *	3/2003	Hall	.....	D12/16



(56)

**References Cited**

U.S. PATENT DOCUMENTS

10,478,736 B1 \* 11/2019 McNeill ..... A47D 15/006  
D871,785 S \* 1/2020 Wehner ..... D6/347  
D885,069 S \* 5/2020 McNeill ..... D6/344  
D885,070 S \* 5/2020 McNeill ..... D6/344  
D889,144 S \* 7/2020 Wehner ..... D6/345  
D898,397 S \* 10/2020 Wehner ..... D6/370  
D899,166 S \* 10/2020 Wehner ..... D6/716  
2003/0024448 A1 \* 2/2003 Lieberman ..... A47B 13/16  
108/161  
2006/0119144 A1 \* 6/2006 Alexakis ..... A47D 13/105  
297/184.1  
2007/0283611 A1 \* 12/2007 Laurent ..... G09F 23/14  
40/700  
2014/0000026 A1 \* 1/2014 Ou ..... A45F 3/22  
5/120

\* cited by examiner

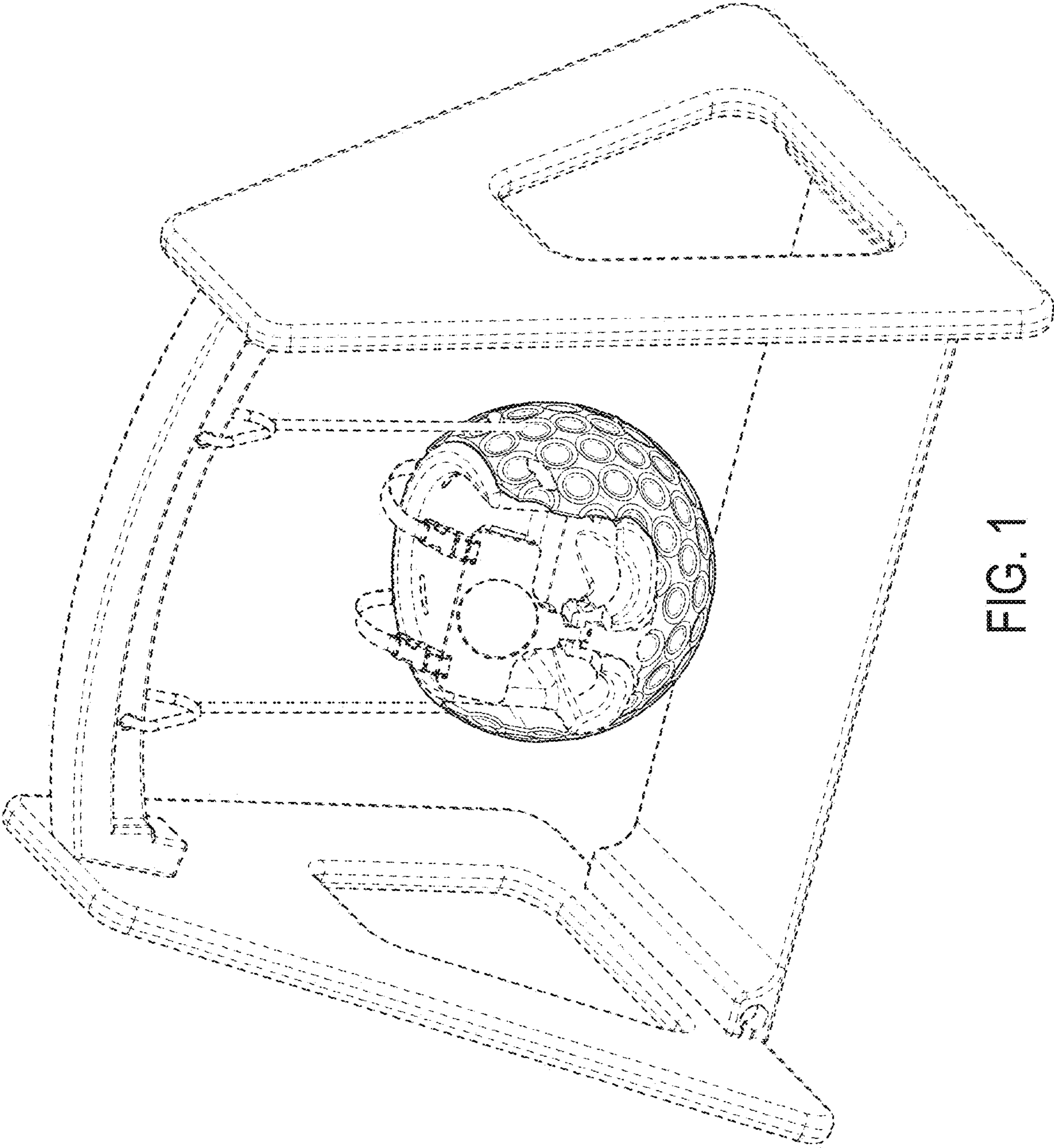


FIG. 1

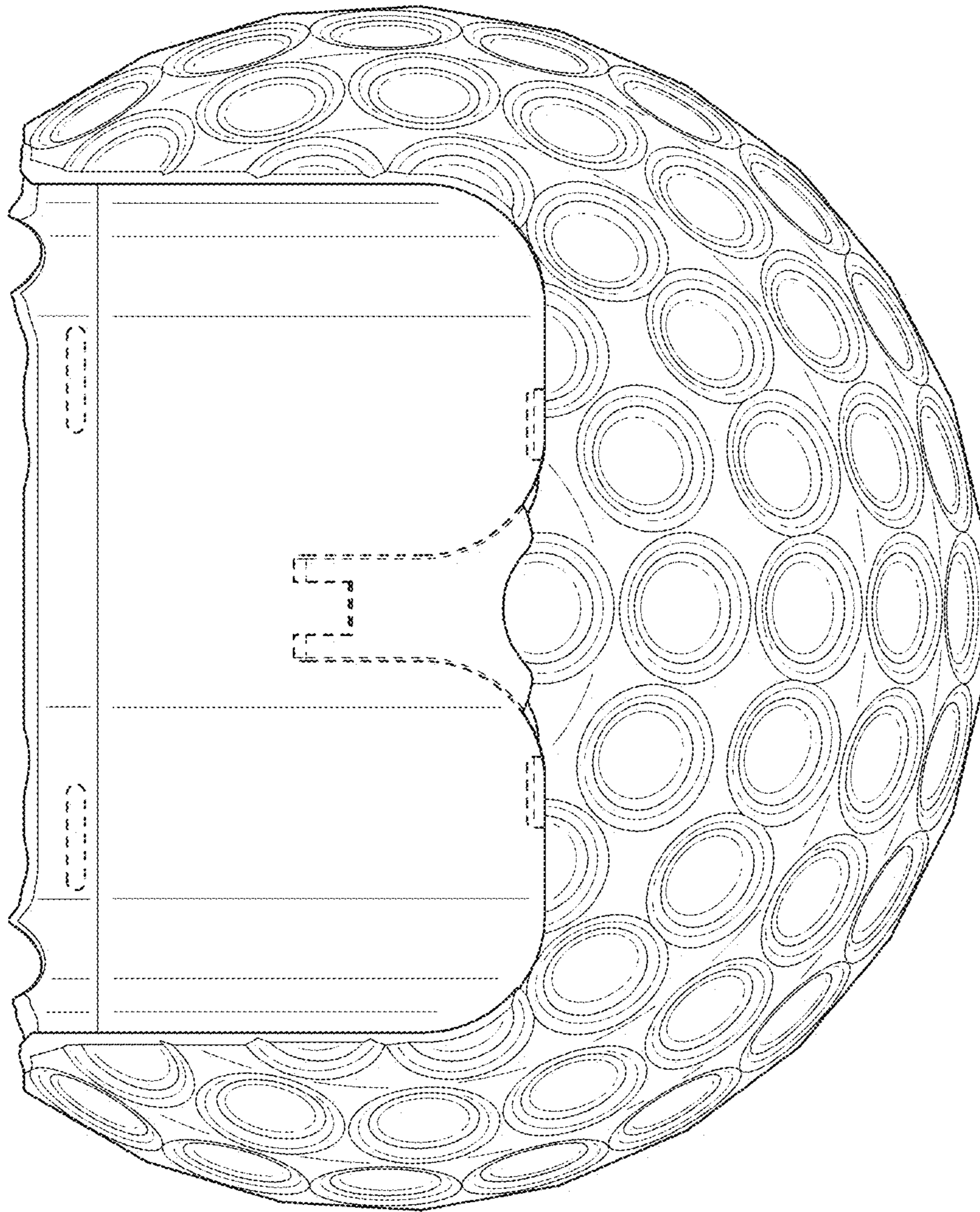


FIG. 2

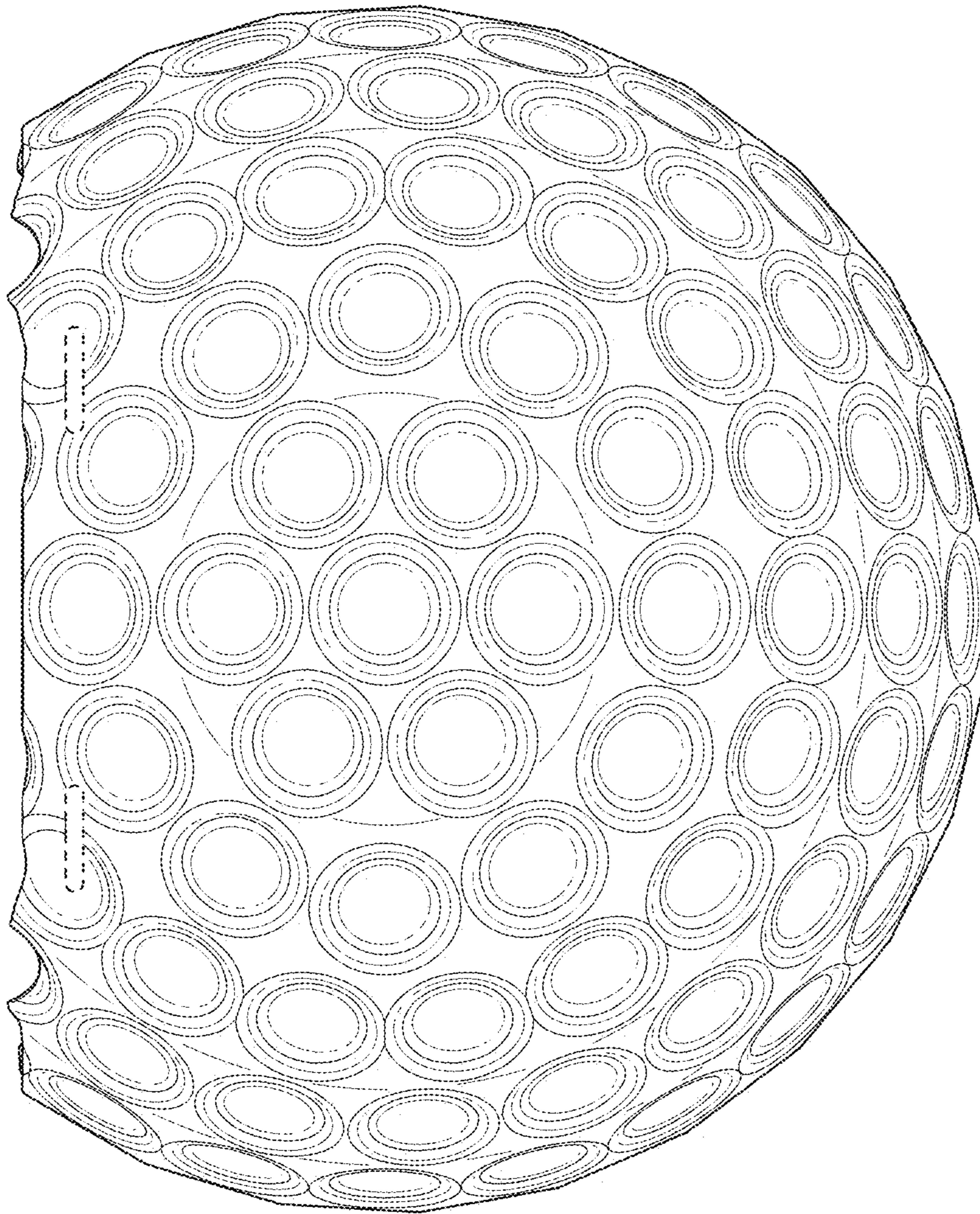


FIG. 3

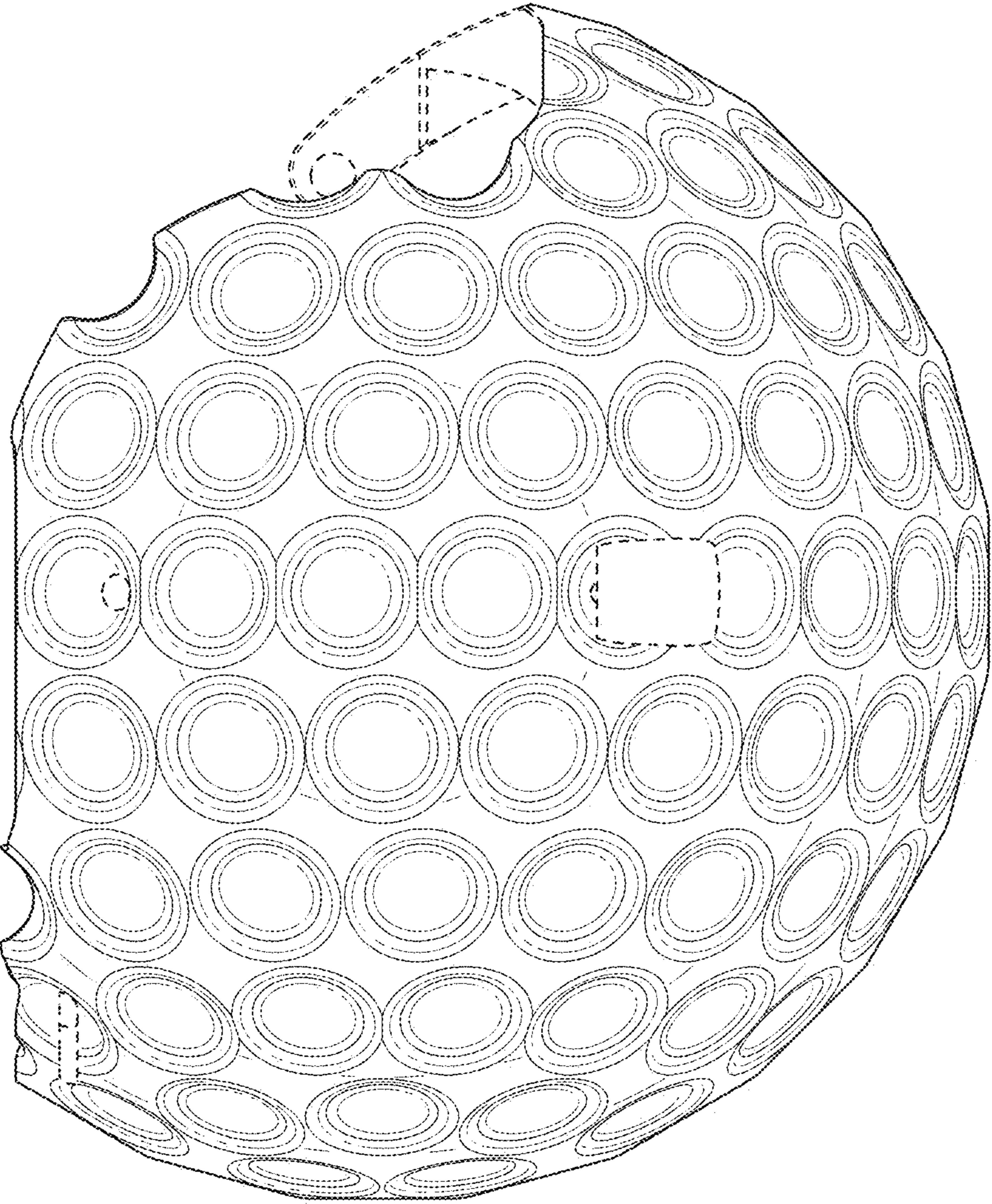


FIG. 4

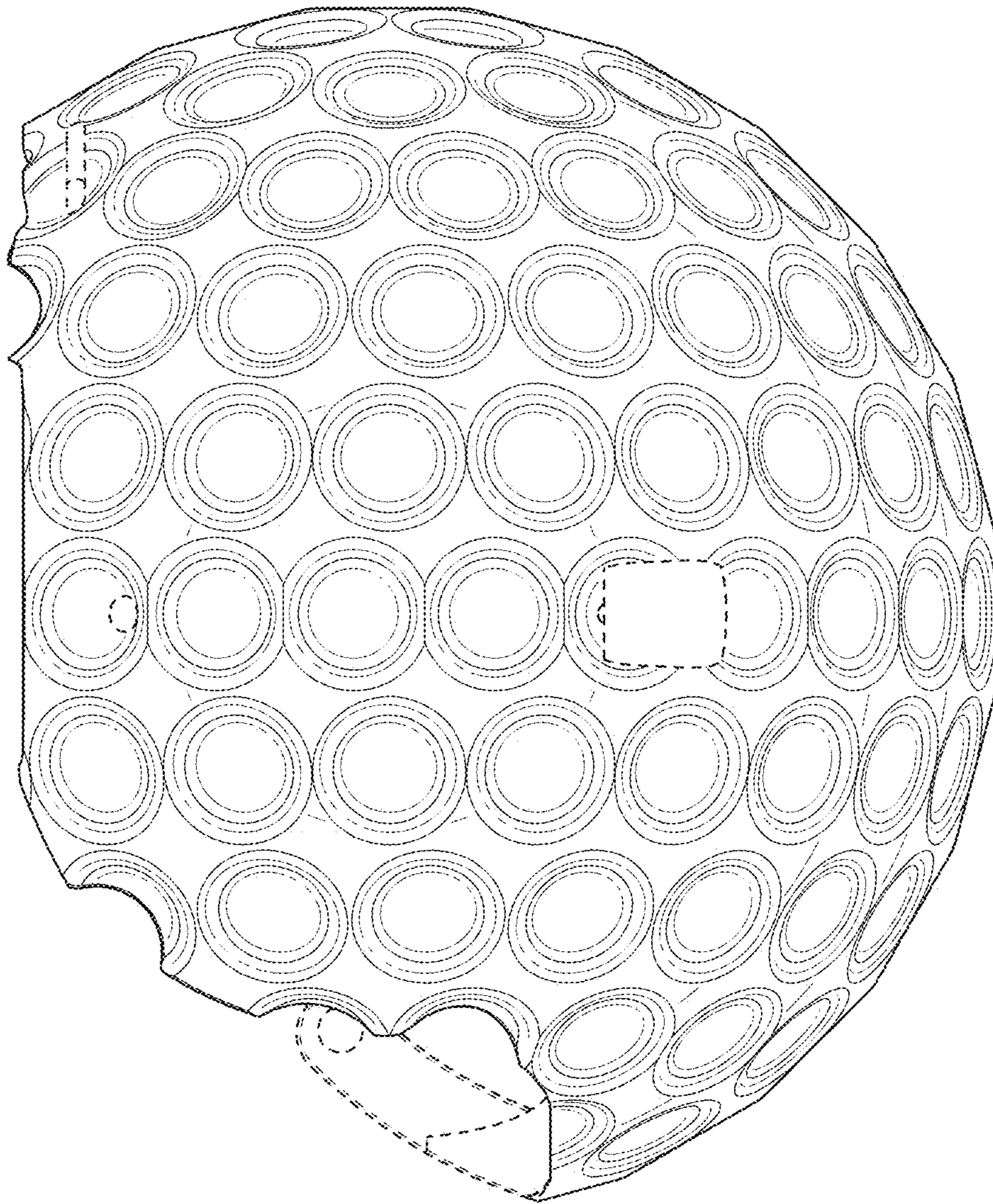


FIG. 5

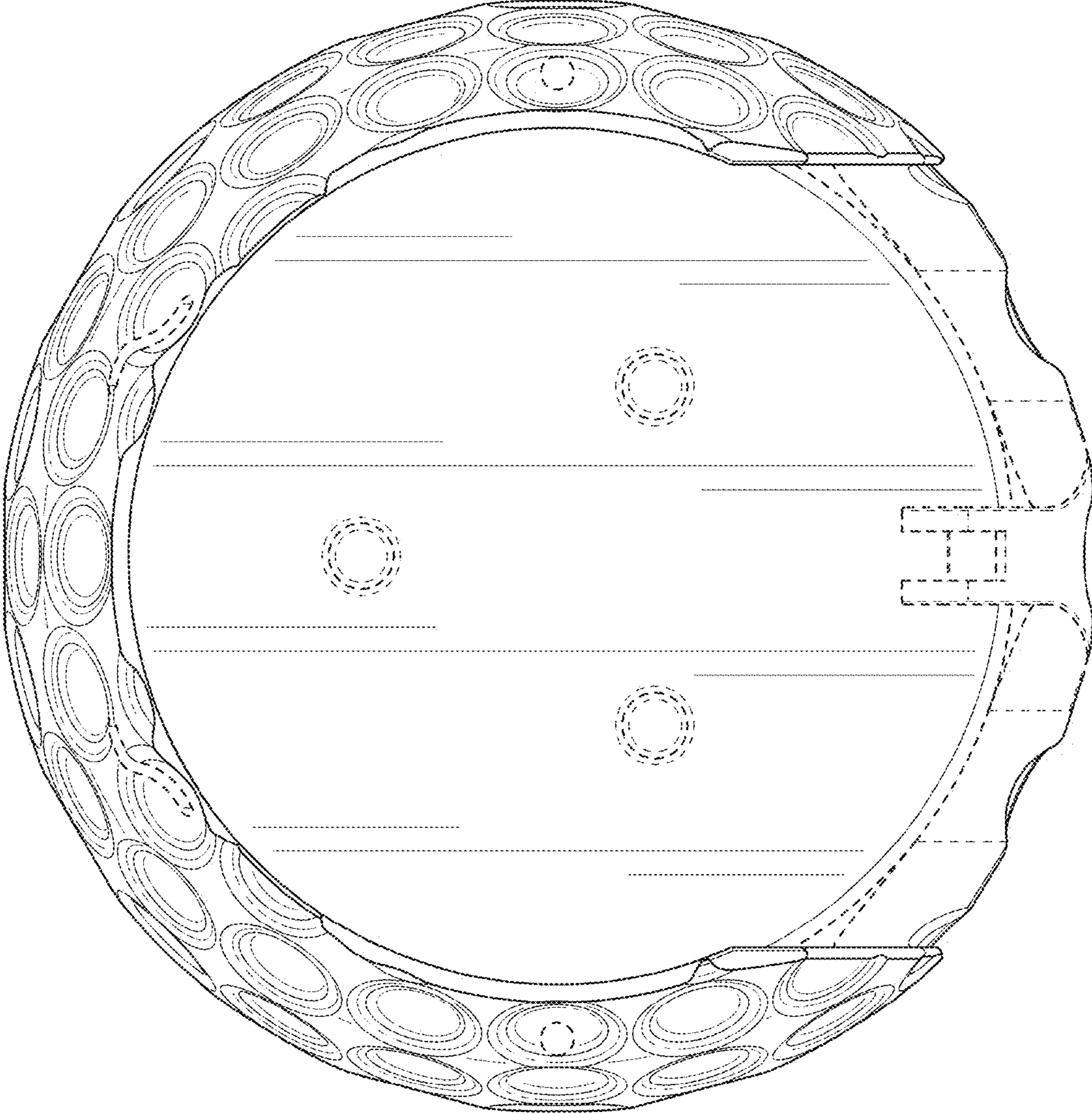


FIG. 6



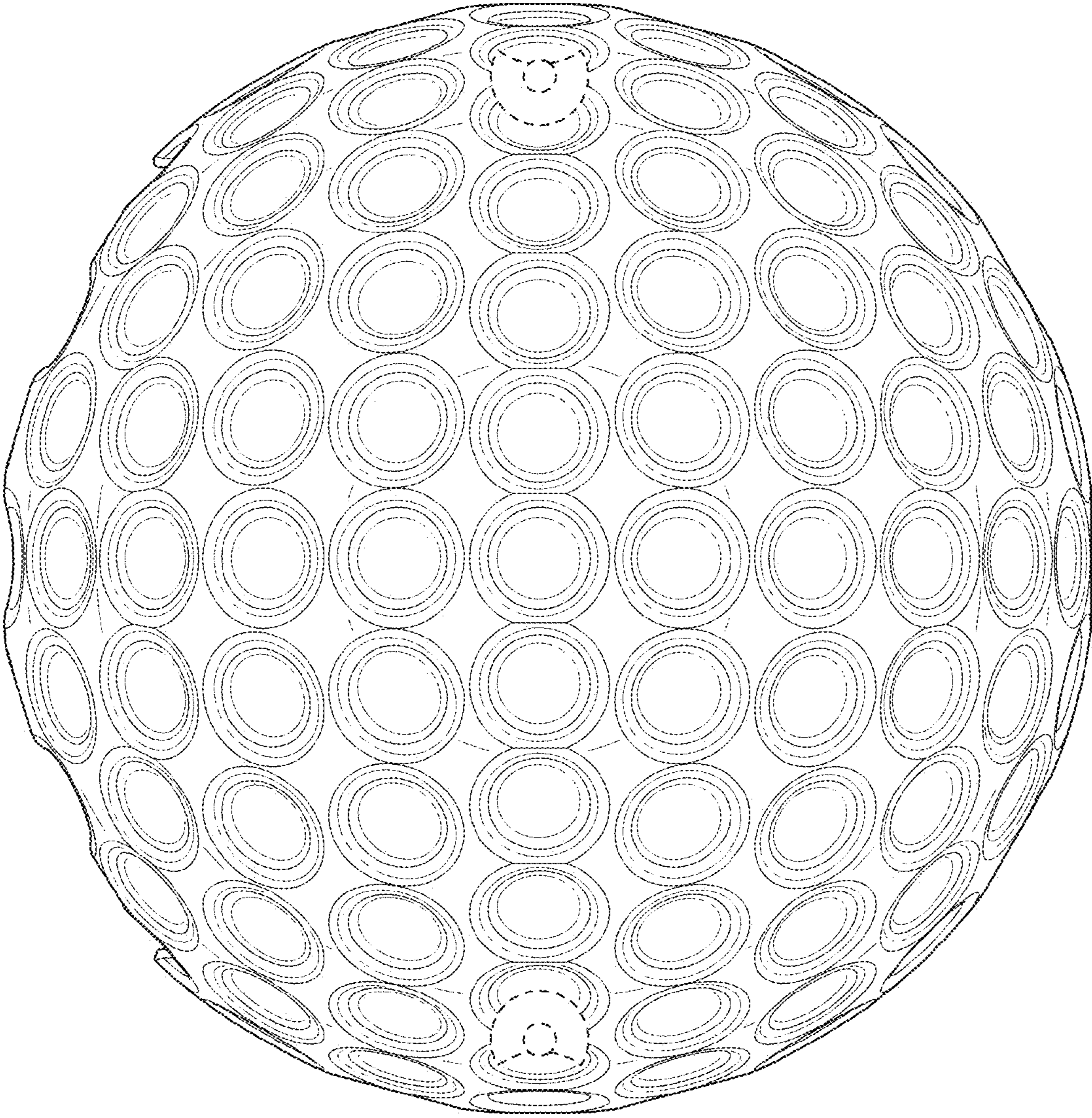


FIG. 7