



US00D922510S

(12) **United States Design Patent** (10) **Patent No.:** **US D922,510 S**
Garcia (45) **Date of Patent:** **** Jun. 15, 2021**

(54) **STRIKING TRAINING DEVICE**
(71) Applicant: **Henry Garcia**, La Jolla, CA (US)
(72) Inventor: **Henry Garcia**, La Jolla, CA (US)
(**) Term: **15 Years**
(21) Appl. No.: **29/723,220**
(22) Filed: **Feb. 5, 2020**
(51) **LOC (13) Cl.** **21-02**
(52) **U.S. Cl.**
USPC **D21/787**
(58) **Field of Classification Search**
USPC D21/787, 798, 662, 680, 686, 688, 689,
D21/691, 692-694, 698, 715, 719;
482/83-90
CPC A63B 69/20; A63B 69/201; A63B 69/203;
A63B 69/205; A63B 69/206; A63B
69/208; A63B 69/24; A63B 69/26; A63B
69/32; A63B 69/325; A63B 69/34
See application file for complete search history.

3,521,882 A * 7/1970 Kiernan A63B 69/34
482/90
D265,333 S * 7/1982 Lee D21/798
4,903,966 A * 2/1990 Liao A63B 69/0091
473/423
5,261,821 A * 11/1993 Shic A63B 69/004
434/247
D356,127 S * 3/1995 Mara D21/798
7,651,447 B2 1/2010 Yang
7,704,194 B1 4/2010 Chen
8,641,583 B2 2/2014 Chen
8,814,759 B2 8/2014 Goldy
8,931,767 B2 1/2015 Fu et al.
8,932,155 B2 1/2015 Moore
9,095,757 B2 8/2015 Corbett
9,956,466 B2 5/2018 Fu

(Continued)

FOREIGN PATENT DOCUMENTS

CN 3235997 * 5/2002 A63B 69/208
CN 302866086 * 7/2014

(Continued)

Primary Examiner — Catherine A Tuttle
(74) *Attorney, Agent, or Firm* — Procopio Cory
Hargreaves and Savitch LLP

(56) **References Cited**

U.S. PATENT DOCUMENTS

547,342 A * 10/1895 Foster A63B 69/205
482/87
1,612,796 A * 12/1926 Abraham A63B 69/208
482/90
2,082,272 A * 6/1937 Zinnow A63B 69/208
482/90
2,143,691 A * 1/1939 Goldberg A63B 69/208
482/90
2,184,453 A * 12/1939 Hayes A63B 69/208
482/90
2,510,883 A * 6/1950 Goldberg A63B 69/208
482/90
3,022,072 A * 2/1962 Zinnow A63B 69/208
482/90

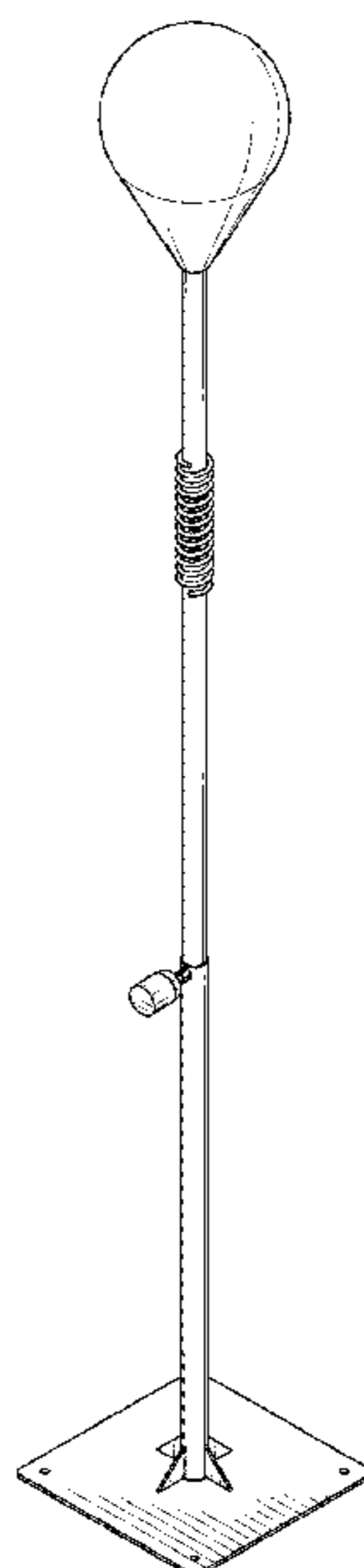
(57) **CLAIM**

The ornamental design for a striking training device, as shown and described.

DESCRIPTION

FIG. 1 is a perspective view of the striking training device showing my new design;
FIG. 2 is a front elevation view thereof;
FIG. 3 is a rear elevation view thereof;
FIG. 4 is a left side elevational view thereof;
FIG. 5 is a right side elevational view thereof;
FIG. 6 is a top plan view thereof; and,
FIG. 7 is a bottom plan view of the striking training device.

1 Claim, 4 Drawing Sheets



(56)

References Cited

U.S. PATENT DOCUMENTS

10,252,135 B1 * 4/2019 Roberts A63B 69/0053
 10,315,092 B2 6/2019 Chen
 D879,226 S * 3/2020 Parham D21/781
 D899,544 S * 10/2020 Li D21/787
 2009/0264263 A1 10/2009 Yang
 2012/0135843 A1 5/2012 Goldy et al.
 2013/0053188 A1 2/2013 Moore
 2013/0085044 A1 4/2013 Chen
 2013/0106036 A1 5/2013 Fu et al.
 2013/0324372 A1 * 12/2013 Cuadrado A63B 69/20
 482/90
 2014/0121069 A1 5/2014 Corbett
 2014/0371037 A1 12/2014 Fu et al.
 2015/0290518 A1 * 10/2015 Hudson A63B 71/023
 482/90
 2017/0348577 A1 12/2017 Chen
 2020/0155914 A1 * 5/2020 Hu A63B 69/208

FOREIGN PATENT DOCUMENTS

CN 302866092 * 7/2014
 CN 302961255 * 10/2014
 CN 303208574 * 5/2015
 WO WO-2010111459 A1 * 9/2010 A63B 69/24
 WO WO-2013022380 A1 * 2/2013 A63H 3/04

* cited by examiner

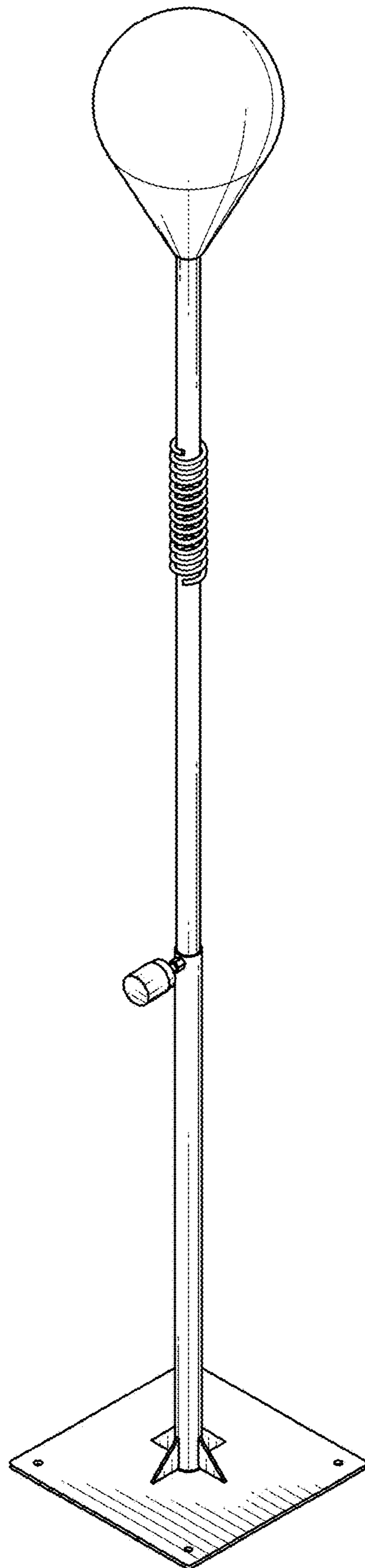


FIG. 1

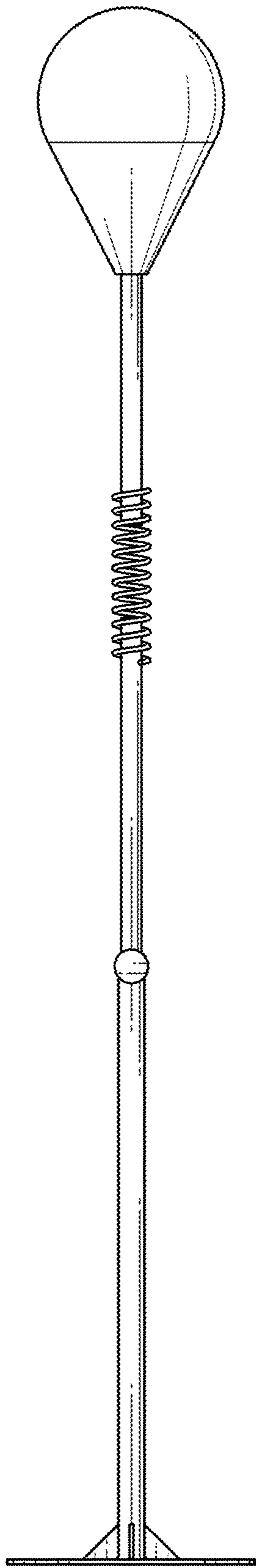


FIG. 2

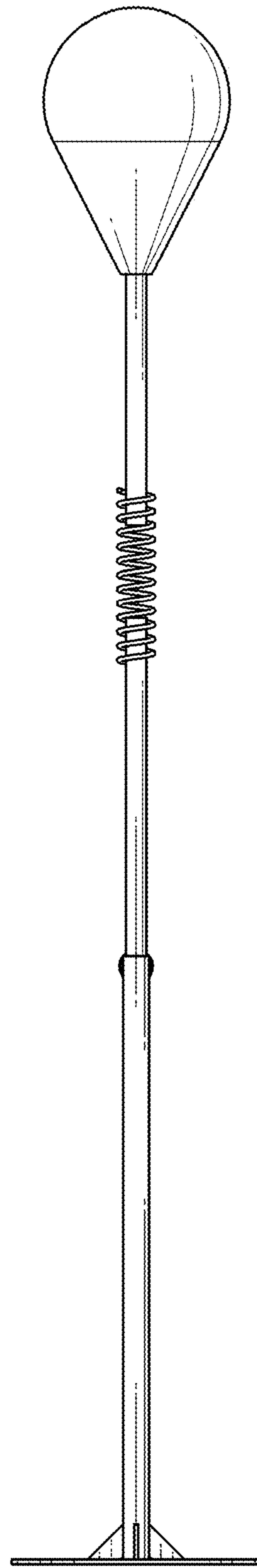


FIG. 3

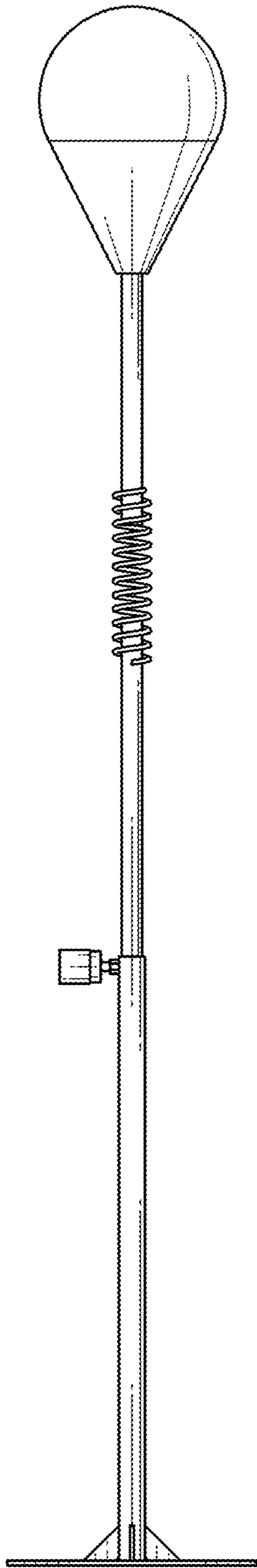


FIG. 4

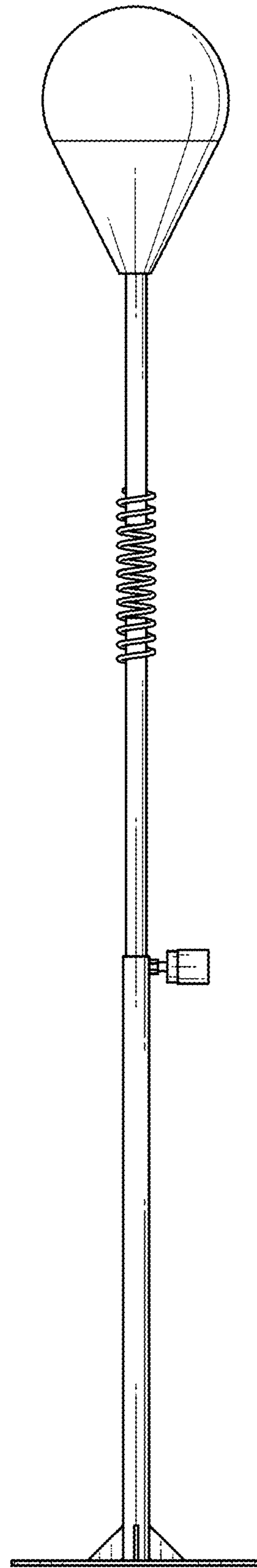


FIG. 5

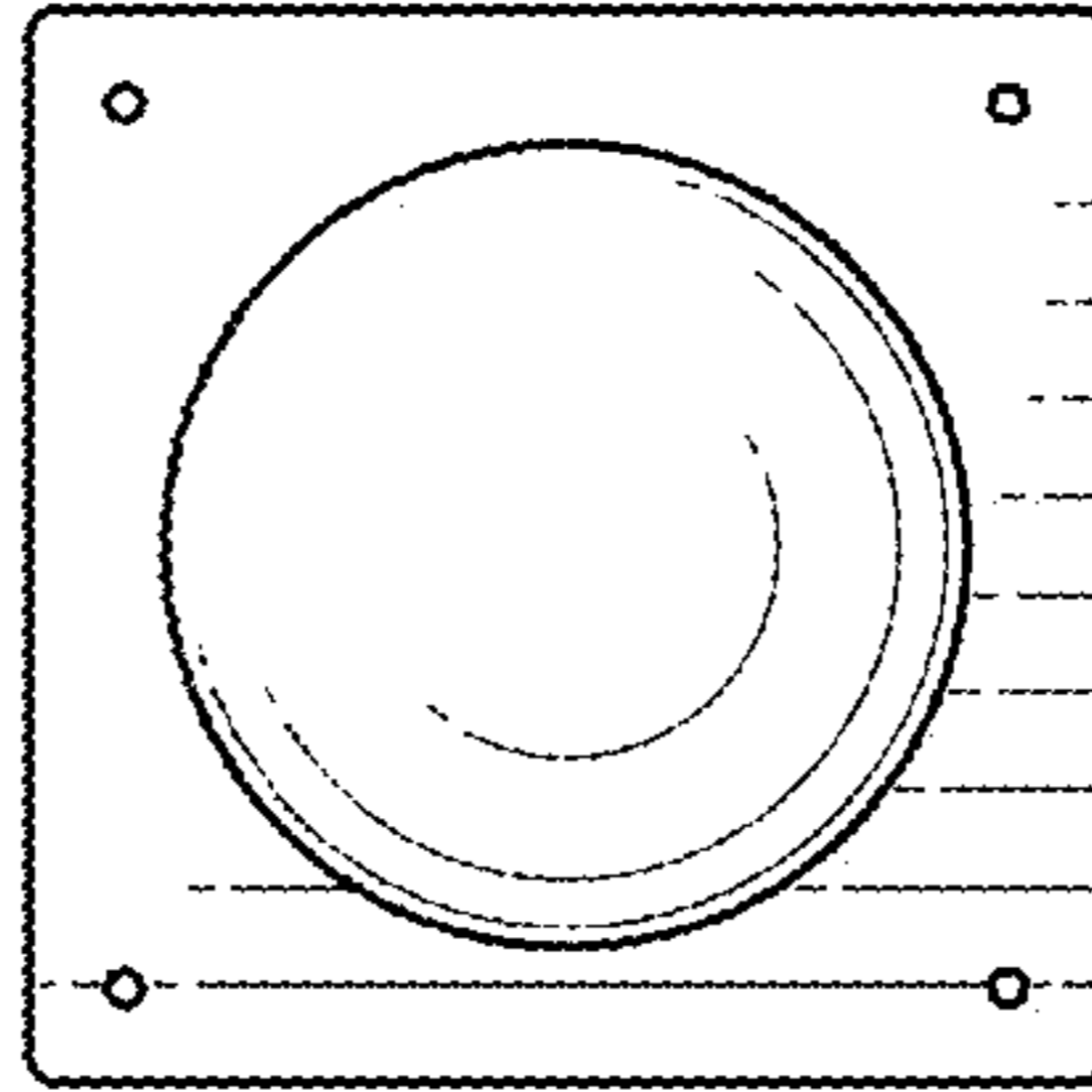


FIG. 6

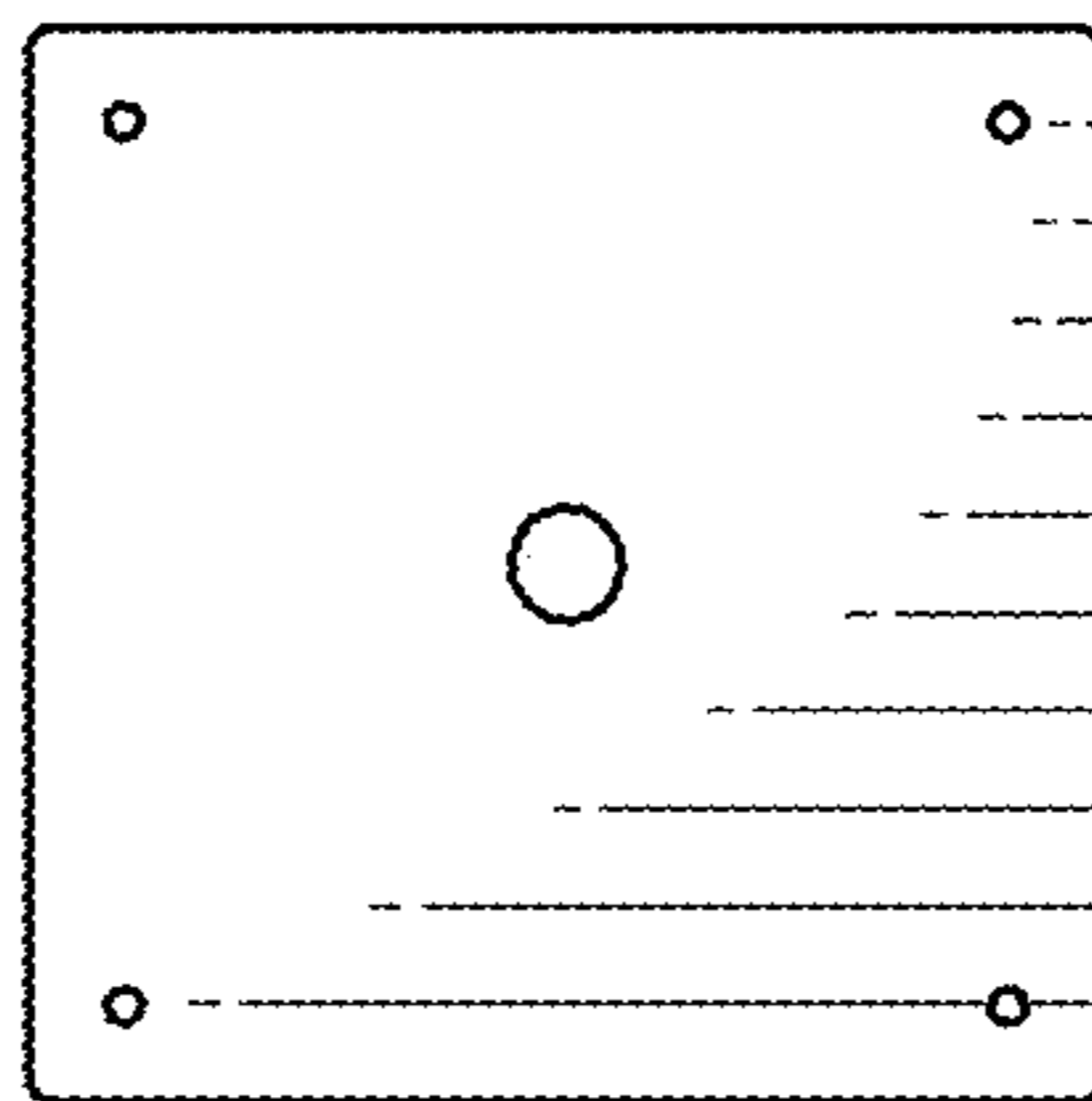


FIG. 7