



US00D922506S

(12) **United States Design Patent** (10) **Patent No.:** **US D922,506 S**  
**Parsons et al.** (45) **Date of Patent:** **\*\* Jun. 15, 2021**

(54) **GOLF CLUB HEAD**

OTHER PUBLICATIONS

(71) Applicant: **PARSONS XTREME GOLF, LLC**,  
Scottsdale, AZ (US)  
(72) Inventors: **Robert R. Parsons**, Scottsdale, AZ  
(US); **Michael R. Nicolette**, Scottsdale,  
AZ (US); **Bradley D. Schweigert**, Cave  
Creek, AZ (US); **Caleb S. Kroloff**,  
Phoenix, AZ (US); **Daniel C. Kirtley**,  
Scottsdale, AZ (US); **William N.**  
**Knopka, III**, Scottsdale, AZ (US)

International Search Report and Written Opinion issued in connec-  
tion with corresponding application No. PCT/US2015/016666, dated  
May 14, 2015 (8 pages).

(Continued)

*Primary Examiner* — Mitchell I. Siegel

(57) **CLAIM**

The ornamental design for a golf club head, as shown and  
described.

**DESCRIPTION**

(73) Assignee: **PARSONS XTREME GOLF, LLC**,  
Scottsdale, AZ (US)

FIG. 1 is a top perspective view of a golf club head;  
FIG. 2 is a bottom perspective view of the golf club head of  
FIG. 1;  
FIG. 3 is a front elevational view of the golf club head of  
FIG. 1;  
FIG. 4 is a rear elevational view of the golf club head of FIG.  
1;  
FIG. 5 is a top view of the golf club head of FIG. 1;  
FIG. 6 is a bottom view of the golf club head of FIG. 1;  
FIG. 7 is a left side view of the golf club head of FIG. 1;  
FIG. 8 is a right side view of the golf club head of FIG. 1;  
FIG. 9 is a top perspective view of a golf club head;  
FIG. 10 is a bottom perspective view of the golf club head  
of FIG. 9;  
FIG. 11 is a front elevational view of the golf club head of  
FIG. 9;  
FIG. 12 is a rear elevational view of the golf club head of  
FIG. 9;  
FIG. 13 is a top view of the golf club head of FIG. 9;  
FIG. 14 is a bottom view of the golf club head of FIG. 9;  
FIG. 15 is a left side view of the golf club head of FIG. 9;  
and,  
FIG. 16 is a right side view of the golf club head of FIG. 9.  
The broken lines shown on the drawings form no part of the  
claimed design.

(\*\*) Term: **15 Years**

(21) Appl. No.: **29/767,421**

(22) Filed: **Jan. 22, 2021**

**Related U.S. Application Data**

(63) Continuation-in-part of application No. 29/745,151,  
filed on Aug. 4, 2020.

(51) **LOC (13) Cl.** ..... **21-02**

(52) **U.S. Cl.**  
USPC ..... **D21/747**

(58) **Field of Classification Search**  
USPC ..... D21/747-751, 759

(Continued)

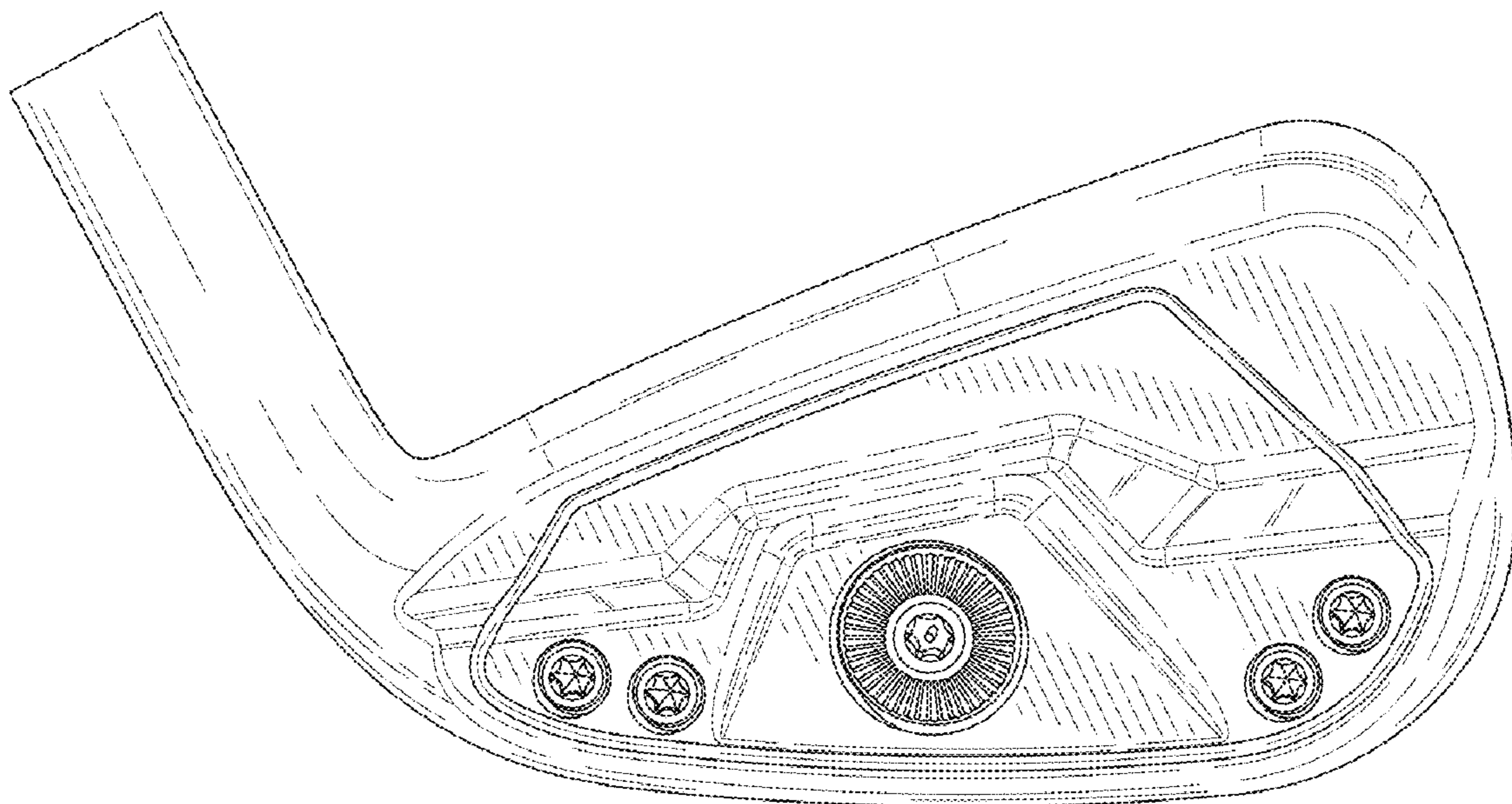
(56) **References Cited**

**U.S. PATENT DOCUMENTS**

1,133,129 A 3/1915 Govan  
D164,469 S 9/1951 Behrendt

(Continued)

**1 Claim, 8 Drawing Sheets**



(58) **Field of Classification Search**  
 CPC ..... A63B 53/00; A63B 53/02; A63B 53/04;  
 A63B 53/047; A63B 53/0475; A63B  
 2053/0479; A63B 60/00; A63B 60/46;  
 A63B 2053/0483; A63B 2053/0445  
 See application file for complete search history.

(56) **References Cited**

U.S. PATENT DOCUMENTS

D175,107	S	7/1955	Gordon	
3,020,048	A	2/1962	Carroll	
D203,936	S	3/1966	Long	
D215,101	S	9/1969	Sabat	
D234,963	S	4/1975	Hirata	
D239,550	S	4/1976	Timbrook	
D240,054	S	5/1976	Meissler	
D244,792	S	6/1977	Gelinas	
D250,136	S	10/1978	Gelinas	
D261,167	S	10/1981	Swanson	
D294,617	S	3/1988	Perkins	
4,754,977	A *	7/1988	Sahm	A63B 53/047 473/337
4,824,116	A	4/1989	Nagamoto et al.	
4,988,104	A	1/1991	Shiotani et al.	
5,158,296	A	10/1992	Lee	
5,176,384	A	1/1993	Sata et al.	
5,213,328	A	5/1993	Long et al.	
D336,672	S	6/1993	Gorman	
D353,862	S	12/1994	Saito	
D357,520	S	4/1995	Helmstetter et al.	
5,419,560	A	5/1995	Bamber	
5,425,535	A	6/1995	Gee	
D361,358	S	8/1995	Simmons	
5,447,311	A	9/1995	Viollaz et al.	
5,451,056	A	9/1995	Manning	
D362,884	S	10/1995	Blough et al.	
D362,885	S	10/1995	Blough et al.	
D362,887	S	10/1995	Blough et al.	
D370,514	S	6/1996	Blough et al.	
5,540,437	A	7/1996	Bamber	
D379,106	S	5/1997	Maltby	
5,637,045	A	6/1997	Igarashi	
5,669,830	A	9/1997	Bamber	
D389,540	S	1/1998	Mendenhall	
D389,541	S	1/1998	Huan-Chiang	
D395,476	S	6/1998	Pond et al.	
5,766,091	A	6/1998	Humphrey et al.	
5,766,092	A	6/1998	Mimeur et al.	
D399,277	S	10/1998	Ezaki	
5,827,132	A	10/1998	Bamber	
D408,485	S	4/1999	Takahashi et al.	
5,899,821	A	5/1999	Hsu et al.	
5,935,016	A	8/1999	Antonious	
D414,535	S	9/1999	Mertens	
D421,080	S *	2/2000	Chen	D21/747
D426,276	S	6/2000	Besnard et al.	
D426,476	S	6/2000	Goss	
6,077,171	A *	6/2000	Yoneyama	A63B 60/00 473/291
D442,659	S	5/2001	Kubica et al.	
D443,008	S	5/2001	Kubica et al.	
D445,862	S	7/2001	Ford	
6,290,609	B1	9/2001	Takeda	
D449,866	S	10/2001	Miller	
D457,211	S	5/2002	Bakke	
D458,328	S	6/2002	Solheim et al.	
D469,833	S	2/2003	Roberts et al.	
D473,605	S	4/2003	Petersen et al.	
D476,048	S	6/2003	Cleveland et al.	
D478,949	S	8/2003	DeLaCruz	
6,638,182	B2	10/2003	Kosmatka	
6,695,714	B1	2/2004	Bliss et al.	
6,702,693	B2	3/2004	Bamber	
D488,201	S	4/2004	Wahl et al.	
D492,376	S	6/2004	Nicolette et al.	
D494,240	S	8/2004	Schweigert	

D494,648	S	8/2004	Schweigert et al.	
6,780,123	B2	8/2004	Hasebe	
D497,963	S	11/2004	Toulon et al.	
6,811,496	B2	11/2004	Wahl et al.	
D499,779	S	12/2004	Mahaffey et al.	
D500,350	S	12/2004	Schweigert et al.	
D500,351	S	12/2004	Schweigert et al.	
D502,237	S	2/2005	Schweigert et al.	
D502,975	S	3/2005	Schweigert et al.	
D503,204	S	3/2005	Nicolette et al.	
D504,925	S	5/2005	Schweigert et al.	
D505,171	S	5/2005	Schweigert et al.	
D507,320	S	7/2005	Roberts et al.	
D507,614	S	7/2005	Schweigert et al.	
D508,099	S	8/2005	Schweigert et al.	
D508,545	S	8/2005	Roberts et al.	
6,923,733	B2	8/2005	Chen	
D514,183	S	1/2006	Schweigert et al.	
D516,650	S	3/2006	Wolfe et al.	
D518,863	S	4/2006	Motoyoshi et al.	
D523,501	S	6/2006	Nicolette et al.	
D523,917	S	6/2006	Wolfe et al.	
D524,889	S	7/2006	Yu et al.	
D530,759	S	10/2006	Nicolette et al.	
D530,760	S	10/2006	Schweigert et al.	
7,121,956	B2	10/2006	Lo	
7,128,663	B2	10/2006	Bamber	
D531,688	S	11/2006	Frame et al.	
D532,849	S	11/2006	Nicolette et al.	
D534,228	S	12/2006	Nicolette et al.	
D534,595	S *	1/2007	Hasebe	D21/747
D534,597	S	1/2007	Nicolette et al.	
7,156,751	B2	1/2007	Wahl et al.	
D536,759	S	2/2007	Schweigert et al.	
D537,494	S	2/2007	Jertson et al.	
7,182,698	B2	2/2007	Tseng	
D538,366	S	3/2007	Nicolette et al.	
D539,864	S	4/2007	Nicolette et al.	
D540,898	S	4/2007	Solheim et al.	
D541,360	S	4/2007	Schweigert et al.	
7,207,900	B2	4/2007	Nicolette et al.	
D543,601	S *	5/2007	Kawami	D21/759
D544,056	S	6/2007	Nicolette et al.	
D547,410	S	7/2007	Nicolette et al.	
D555,219	S *	11/2007	Lin	D21/759
7,303,486	B2	12/2007	Imamoto	
D559,932	S	1/2008	Belmont	
D561,855	S	2/2008	Schweigert et al.	
D562,925	S	2/2008	Schweigert et al.	
7,351,164	B2	4/2008	Schweigert et al.	
D570,435	S	6/2008	Sanchez et al.	
D570,935	S	6/2008	Nicolette et al.	
D570,936	S	6/2008	Schweigert et al.	
D570,942	S	6/2008	Chen et al.	
D571,422	S	6/2008	Schweigert et al.	
D571,425	S	6/2008	Chen et al.	
D571,427	S	6/2008	Schweigert et al.	
D571,881	S	6/2008	Nicolette et al.	
D572,326	S	7/2008	Schweigert et al.	
D572,329	S	7/2008	Nicolette et al.	
D573,219	S	7/2008	Schweigert et al.	
7,396,299	B2	7/2008	Nicolette et al.	
7,413,518	B2	8/2008	Cole et al.	
D577,783	S	9/2008	Schweigert et al.	
D578,590	S	10/2008	Schweigert et al.	
D581,000	S	11/2008	Nicolette et al.	
D581,004	S	11/2008	Schweigert et al.	
D584,370	S	1/2009	Cleveland et al.	
D585,103	S	1/2009	Foster et al.	
D586,414	S	2/2009	Foster et al.	
D587,327	S	2/2009	Ines et al.	
D594,518	S	6/2009	Schweigert	
D596,256	S	7/2009	Schweigert et al.	
D596,257	S	7/2009	Jertson et al.	
D596,258	S	7/2009	Jertson et al.	
D596,688	S	7/2009	Schweigert et al.	
D597,158	S	7/2009	Schweigert et al.	
D601,216	S	9/2009	Jertson et al.	
7,588,502	B2	9/2009	Nishino	

(56)

References Cited

U.S. PATENT DOCUMENTS

7,601,075 B2	10/2009	Cole et al.	D746,926 S	1/2016	Parsons et al.
D604,783 S	11/2009	Nicolette et al.	D748,214 S *	1/2016	Nicolette ..... D21/747
7,611,424 B2	11/2009	Nagai et al.	D748,749 S *	2/2016	Nicolette ..... D21/759
D606,605 S	12/2009	Wada et al.	D756,471 S *	5/2016	Nicolette ..... D21/747
D607,070 S	12/2009	Wada et al.	9,346,203 B2 *	5/2016	Parsons ..... A63B 53/0475
D607,071 S	12/2009	Wada et al.	D764,610 S	8/2016	Parsons et al.
7,658,686 B2	2/2010	Soracco	9,421,437 B2	8/2016	Parsons et al.
D612,438 S	3/2010	Carlyle et al.	9,427,634 B2	8/2016	Parsons et al.
D612,439 S	3/2010	Carlyle et al.	9,468,821 B2 *	10/2016	Parsons ..... A63B 60/02
D617,406 S	6/2010	Carlyle et al.	D773,575 S *	12/2016	Nicolette ..... D21/747
D618,293 S	6/2010	Foster et al.	9,533,201 B2 *	1/2017	Parsons ..... A63B 60/54
7,736,243 B2	6/2010	Sanchez et al.	9,649,542 B2 *	5/2017	Nicolette ..... A63B 53/0475
7,744,484 B1	6/2010	Chao	D802,068 S *	11/2017	Parsons ..... D21/747
D621,893 S	8/2010	Nicolette et al.	9,814,952 B2 *	11/2017	Parsons ..... A63B 60/02
D621,894 S	8/2010	Schweigert	D816,787 S *	5/2018	Nicolette ..... D21/747
D621,895 S	8/2010	Schweigert et al.	D825,891 S *	8/2018	Parsons ..... D2/747
7,798,917 B2	9/2010	Nguyen et al.	D827,065 S *	8/2018	Nicolette ..... D21/747
7,815,521 B2	10/2010	Ban et al.	D835,737 S *	12/2018	Parsons ..... D21/747
D627,409 S	11/2010	Schweigert et al.	D852,302 S *	6/2019	Parsons ..... D21/747
D627,410 S	11/2010	Nicolette et al.	D856,451 S *	8/2019	Parsons ..... D21/747
7,846,040 B2	12/2010	Ban	D863,478 S *	10/2019	Parsons ..... D21/747
D633,159 S	2/2011	Holt et al.	10,632,349 B2 *	4/2020	Parsons ..... A63B 53/04
D633,967 S	3/2011	Carlyle et al.	D893,647 S *	8/2020	Parsons ..... D21/747
D635,627 S	4/2011	Nicolette	D893,648 S *	8/2020	Parsons ..... D21/747
7,938,738 B2	5/2011	Roach	D894,302 S *	8/2020	Parsons ..... D21/747
D642,642 S	8/2011	Jertson et al.	10,729,948 B2 *	8/2020	Parsons ..... A63B 53/047
D643,488 S	8/2011	Holt et al.	10,729,949 B2 *	8/2020	Parsons ..... A63B 60/54
D643,490 S	8/2011	Wada et al.	D898,143 S *	10/2020	Parsons ..... D21/747
D643,491 S	8/2011	Stokke et al.	D898,144 S *	10/2020	Parsons ..... D21/747
D643,492 S	8/2011	Nicolette et al.	D898,145 S *	10/2020	Parsons ..... D21/747
D643,895 S	8/2011	Wieland	10,874,919 B2 *	12/2020	Parsons ..... A63B 53/04
D643,896 S	8/2011	Jertson et al.	2002/0107087 A1	8/2002	Fagot
D647,582 S	10/2011	Nicolette et al.	2003/0139226 A1	7/2003	Cheng et al.
D649,211 S	11/2011	Jertson et al.	2003/0176231 A1	9/2003	Hasebe
8,062,150 B2	11/2011	Gilbert et al.	2004/0204263 A1	10/2004	Fagot et al.
D651,268 S	12/2011	Nicolette et al.	2005/0009632 A1	1/2005	Schweigert et al.
8,088,025 B2	1/2012	Wahl et al.	2005/0014573 A1	1/2005	Lee
8,092,319 B1	1/2012	Cackett et al.	2005/0096148 A1	5/2005	Noble et al.
8,105,180 B1	1/2012	Cackett et al.	2005/0119066 A1	6/2005	Stites et al.
8,142,307 B2	3/2012	Sanchez et al.	2005/0239569 A1	10/2005	Best et al.
D658,248 S	4/2012	Nunez et al.	2005/0277485 A1	12/2005	Hou et al.
8,221,262 B1	7/2012	Cackett et al.	2006/0111200 A1	5/2006	Poynor
8,246,487 B1	8/2012	Cackett et al.	2007/0032308 A1	2/2007	Fagot et al.
D670,775 S	11/2012	Jertson et al.	2007/0225084 A1	9/2007	Schweigert et al.
D672,417 S	12/2012	Jertson et al.	2008/0058113 A1	3/2008	Nicolette et al.
8,328,662 B2	12/2012	Nakamura et al.	2008/0188322 A1	8/2008	Anderson et al.
D673,633 S	1/2013	Jertson et al.	2008/0300065 A1	12/2008	Schweigert
D673,634 S	1/2013	Jertson et al.	2009/0029790 A1	1/2009	Nicolette et al.
8,376,878 B2	2/2013	Bennett et al.	2010/0130306 A1	5/2010	Schweigert
D680,603 S	4/2013	Nicolette et al.	2010/0178999 A1	7/2010	Nicolette et al.
D681,142 S	4/2013	Fossum et al.	2011/0111883 A1	5/2011	Cackett
D681,143 S	4/2013	Nicolette et al.	2011/0165963 A1	7/2011	Cackett et al.
8,414,422 B2	4/2013	Peralta et al.	2011/0269567 A1	11/2011	Ban et al.
8,506,420 B2	8/2013	Hocknell et al.	2011/0294596 A1	12/2011	Ban
8,545,343 B2	10/2013	Boyd et al.	2013/0137532 A1	5/2013	Deshmukh et al.
8,574,094 B2	11/2013	Nicolette et al.	2013/0225319 A1	8/2013	Kato
8,657,700 B2	2/2014	Nicolette et al.	2013/0281226 A1	10/2013	Ban
8,663,026 B2	3/2014	Blowers et al.	2013/0288823 A1	10/2013	Hebreo
8,690,710 B2	4/2014	Nicolette et al.	2013/0303303 A1	11/2013	Ban
D707,316 S	6/2014	Aguayo et al.	2013/0310192 A1	11/2013	Wahl et al.
D707,317 S	6/2014	Aguayo et al.	2014/0080621 A1	3/2014	Nicolette et al.
8,753,230 B2	6/2014	Stokke et al.	2014/0128175 A1	5/2014	Jertson et al.
D708,688 S	7/2014	Nicolette et al.	2014/0274441 A1	9/2014	Greer
8,827,832 B2	9/2014	Breier et al.	2014/0274451 A1	9/2014	Knight et al.
8,827,833 B2	9/2014	Amano et al.	2015/0231454 A1	8/2015	Parsons et al.
8,845,455 B2	9/2014	Ban et al.	2015/0231806 A1	8/2015	Parsons et al.
D716,387 S	10/2014	Aguayo et al.	2015/0328508 A1 *	11/2015	Parsons ..... A63B 53/0475
D716,388 S	10/2014	Aguayo et al.			473/350
D716,391 S	10/2014	Roche et al.	2017/0368429 A1 *	12/2017	Parsons ..... A63B 60/02
D722,352 S *	2/2015	Nicolette ..... D21/747	2018/0104551 A1 *	4/2018	Parsons ..... A63B 53/047
D723,120 S *	2/2015	Nicolette ..... D21/747	2018/0140910 A1 *	5/2018	Parsons ..... A63B 53/0466
8,961,336 B1 *	2/2015	Parsons ..... A63B 60/02	2018/0169488 A1 *	6/2018	Parsons ..... A63B 53/047
		473/332	2018/0207494 A1 *	7/2018	Parsons ..... A63B 53/0466
D726,265 S *	4/2015	Nicolette ..... D21/747	2018/0221727 A1 *	8/2018	Parsons ..... A63B 53/047
9,199,143 B1	12/2015	Parsons et al.	2018/0236325 A1 *	8/2018	Parsons ..... A63B 53/0466
			2018/0318673 A1 *	11/2018	Parsons ..... A63B 53/0487
			2019/0143183 A1 *	5/2019	Parsons ..... A63B 60/02
					473/346
			2019/0201758 A1 *	7/2019	Parsons ..... A63B 53/0487

(56)

**References Cited**

U.S. PATENT DOCUMENTS

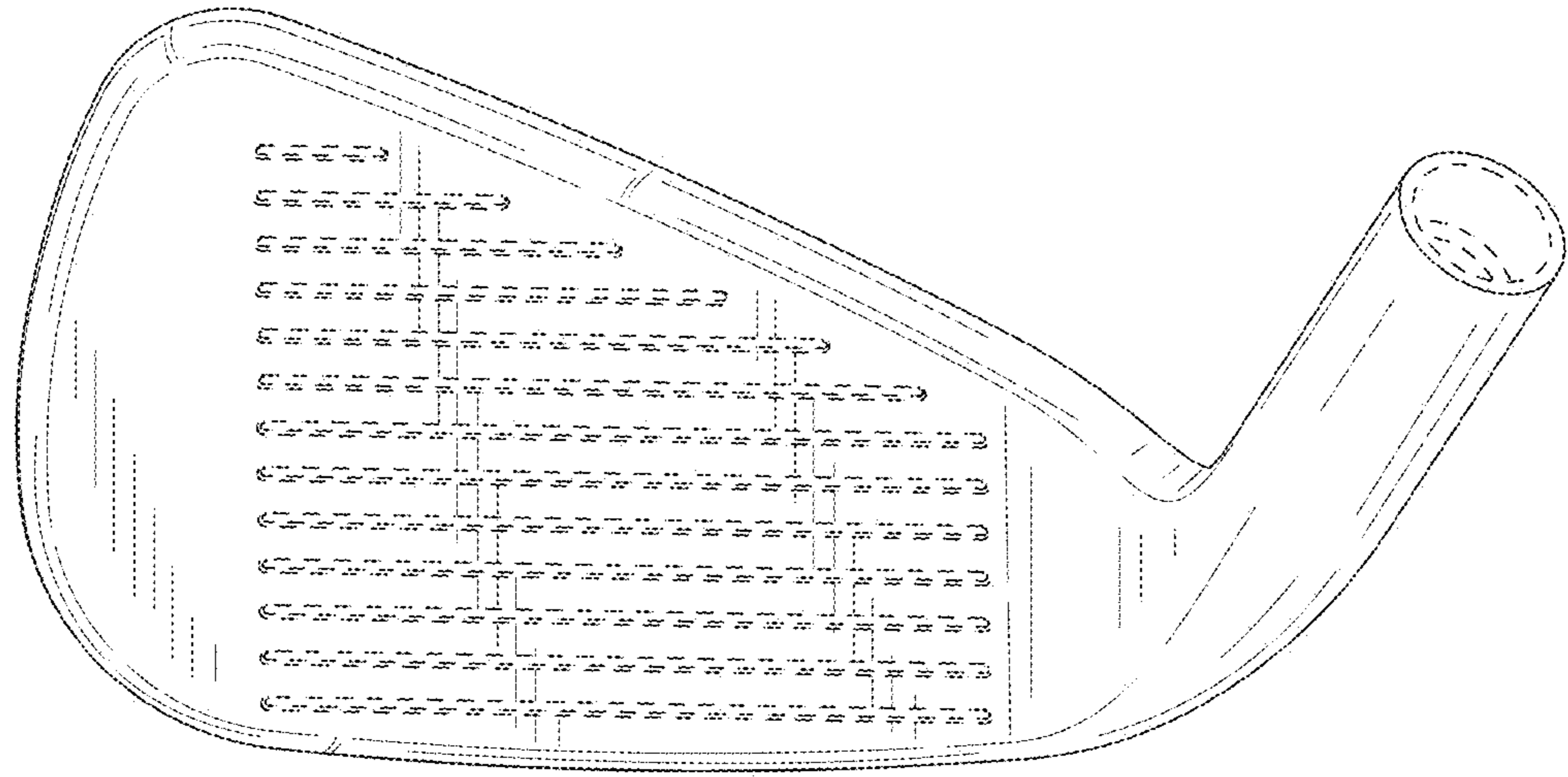
2019/0232124 A1\* 8/2019 Parsons ..... A63B 53/0487  
2019/0232125 A1\* 8/2019 Parsons ..... A63B 60/02  
2019/0232126 A1\* 8/2019 Nicolette ..... A63B 53/0475  
2019/0240549 A1\* 8/2019 Parsons ..... A63B 53/047  
2019/0247726 A1\* 8/2019 Parsons ..... A63B 53/0408  
2019/0247727 A1\* 8/2019 Parsons ..... A63B 53/0475  
2020/0047038 A1\* 2/2020 Parsons ..... A63B 53/0475  
2020/0070018 A1\* 3/2020 Parsons ..... A63B 53/0466  
2020/0346082 A1\* 11/2020 Parsons ..... A63B 53/0475  
2020/0353326 A1\* 11/2020 Parsons ..... A63B 53/0487  
2020/0376353 A1\* 12/2020 Parsons ..... A63B 53/047  
2021/0008420 A1\* 1/2021 Parsons ..... A63B 53/0466  
2021/0016141 A1\* 1/2021 Parsons ..... A63B 60/02

OTHER PUBLICATIONS

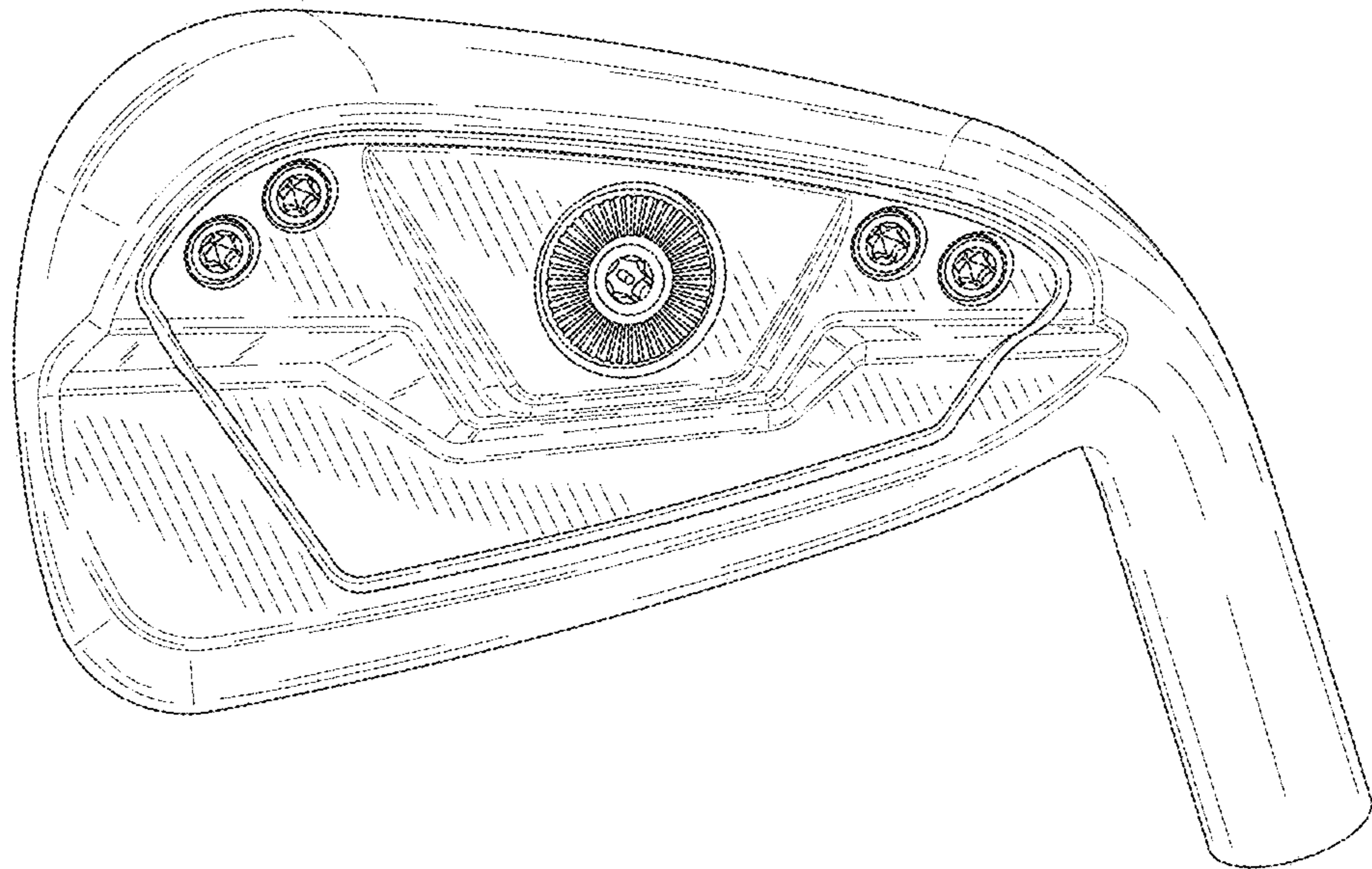
Kozuchowski, Zak. "Callaway Mack Daddy 2 PM Grind Wedges" (<http://www.golfwrx.com/276203/callaway-mack-daddy-2-pm-grind-wedges/>), www.golfwrx.com, GolfWRX Holdings, LLC, published Jan. 21, 2015.

Wall, Jonathan, "Details: Phil's Prototype Mack Daddy PM-Grind Wedge," (<http://www.pgatour.com/equipmentreport/2015/01/21/callaway-wedge.html>), www.pgatour.com, PGA Tour, Inc., Published Jan. 21, 2015.

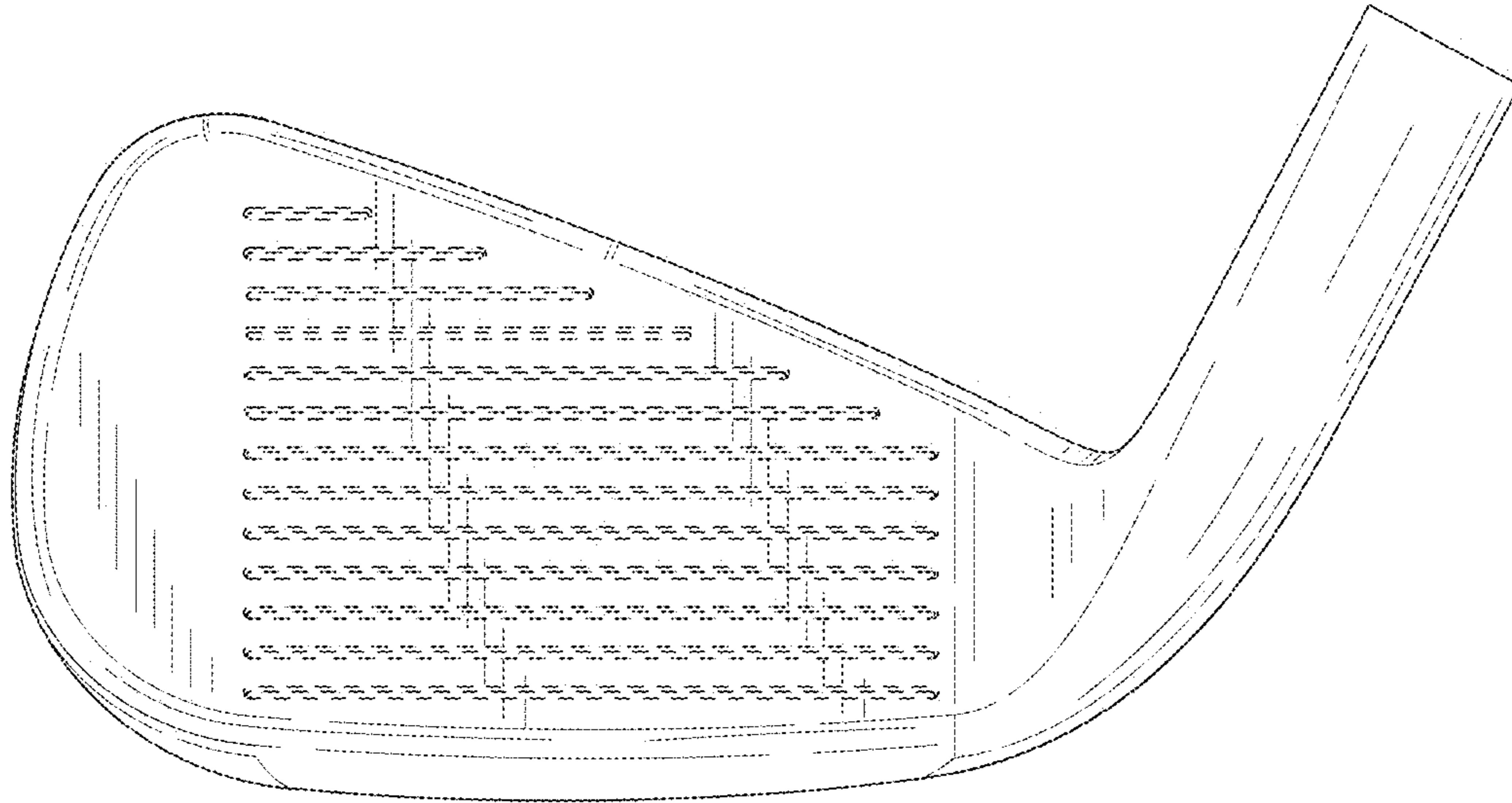
\* cited by examiner



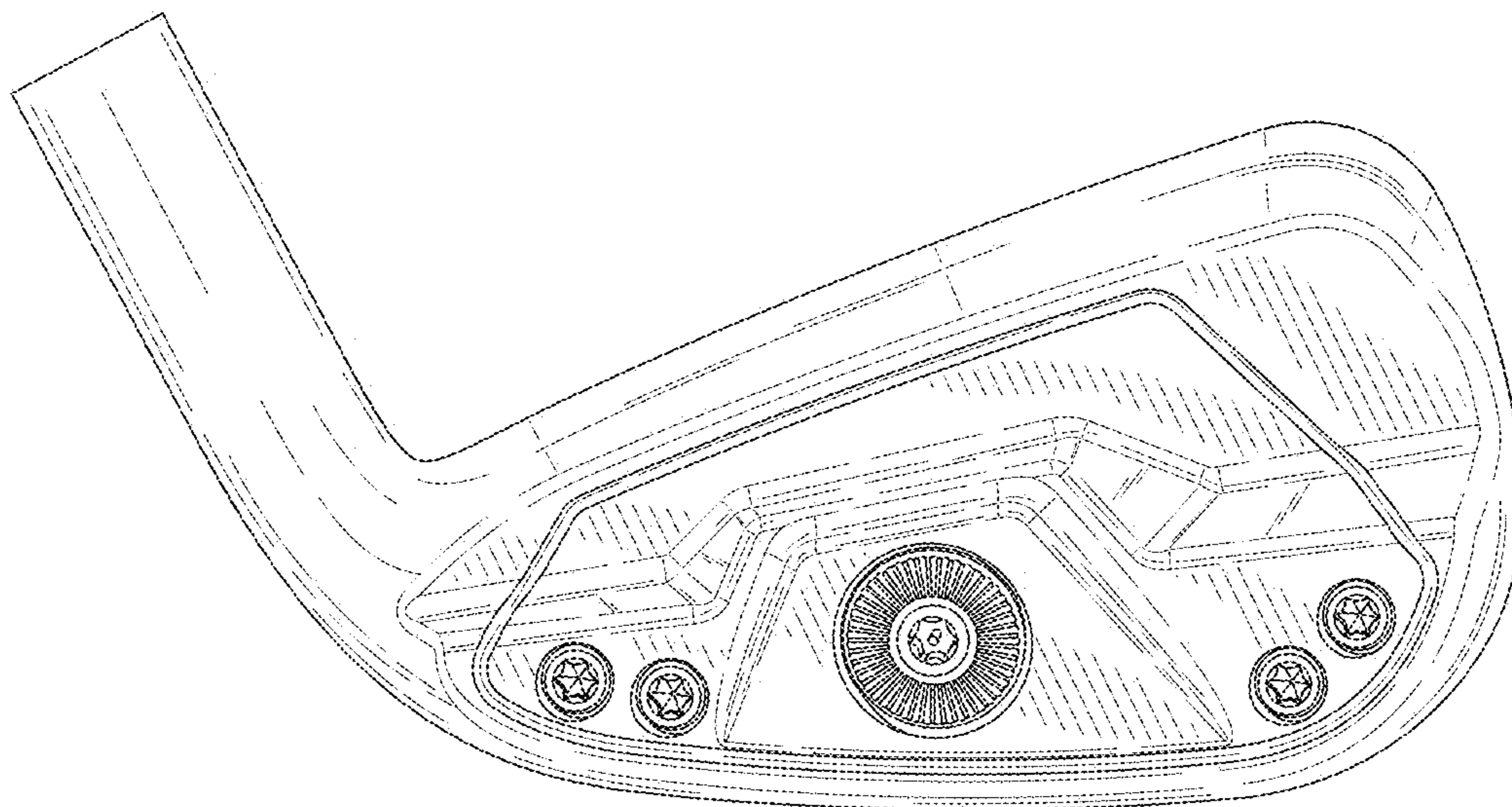
**FIG. 1**



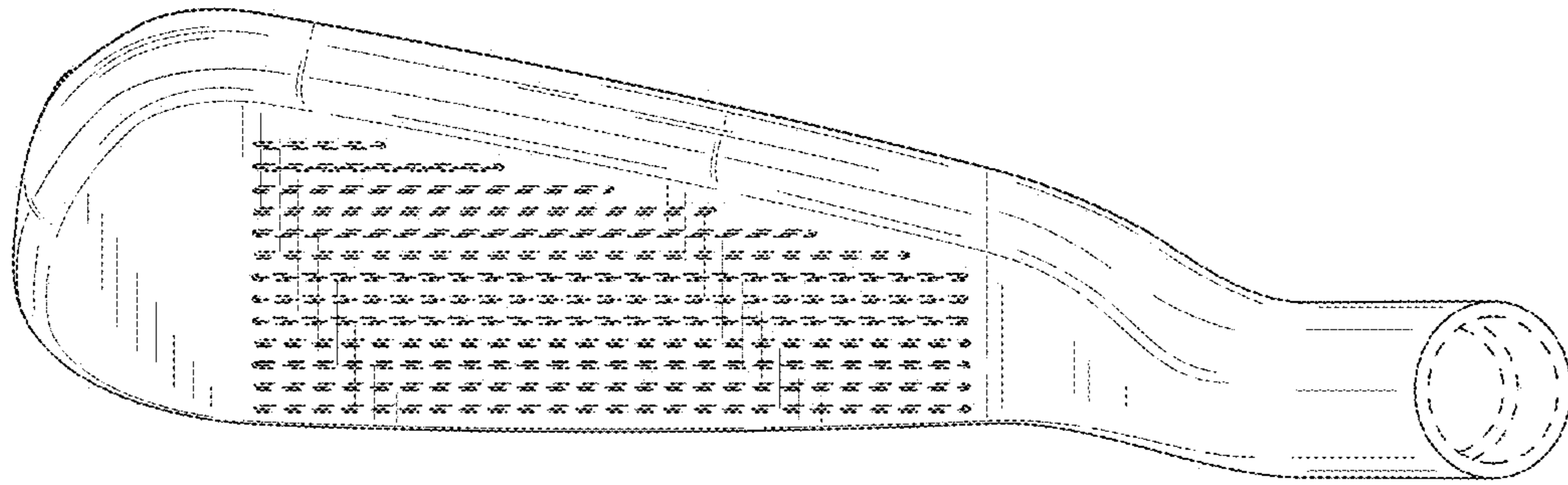
**FIG. 2**



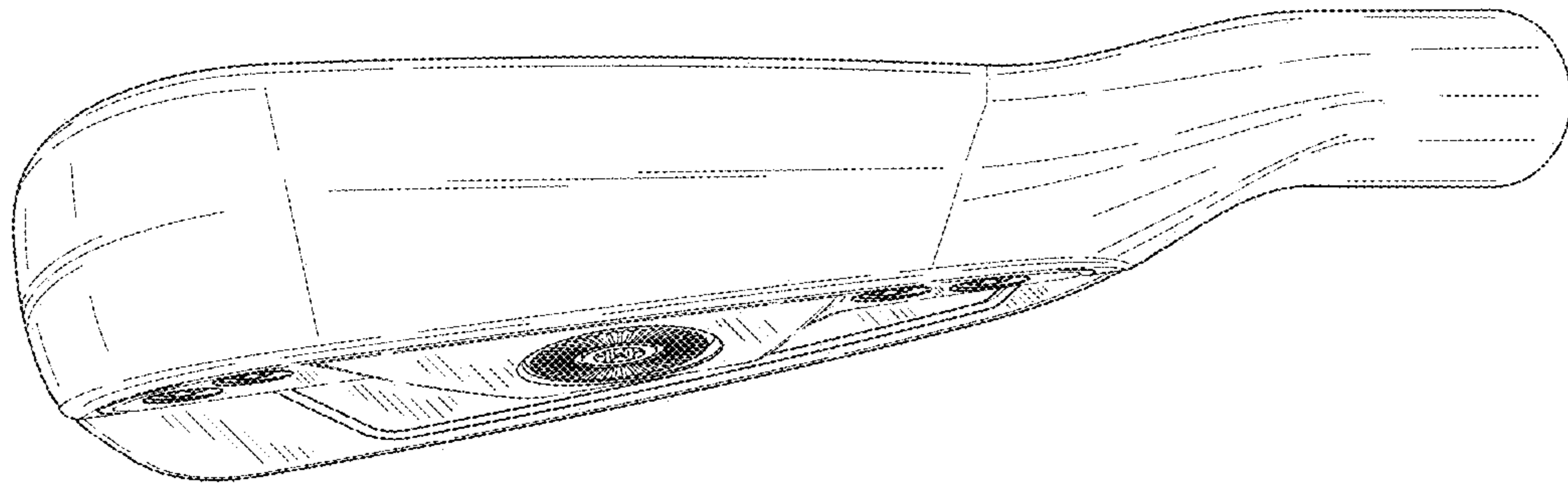
**FIG. 3**



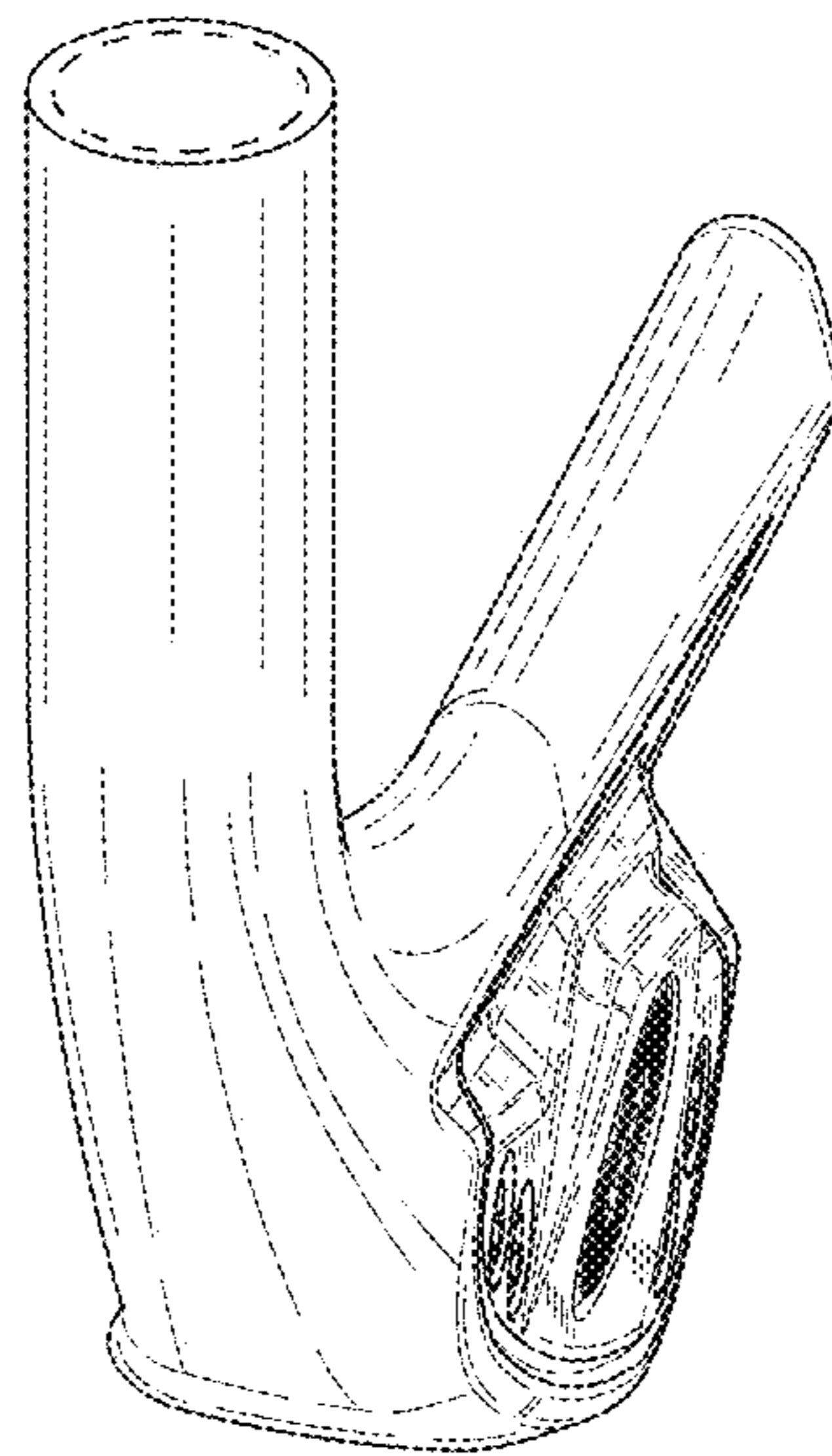
**FIG. 4**



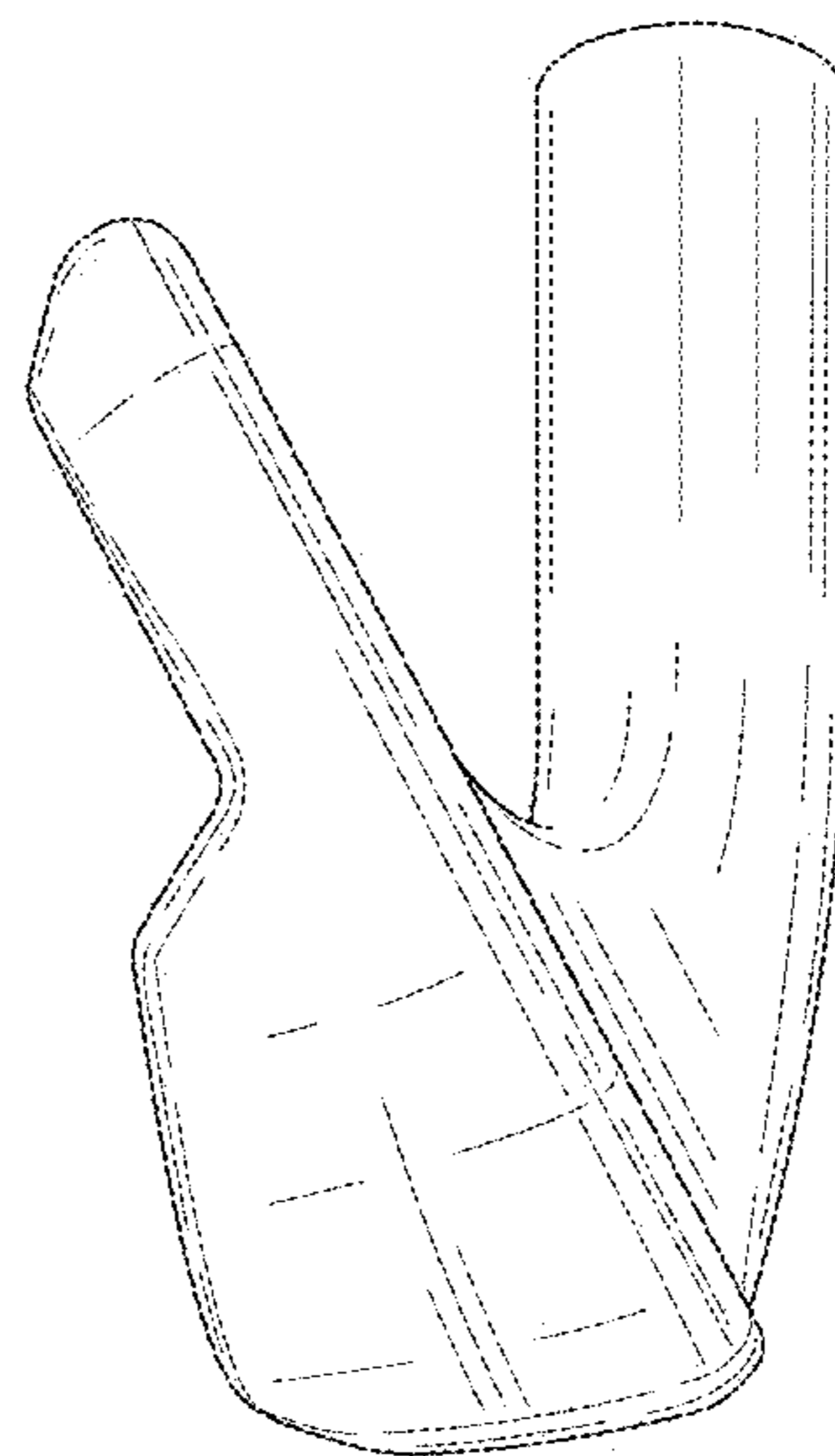
**FIG. 5**



**FIG. 6**

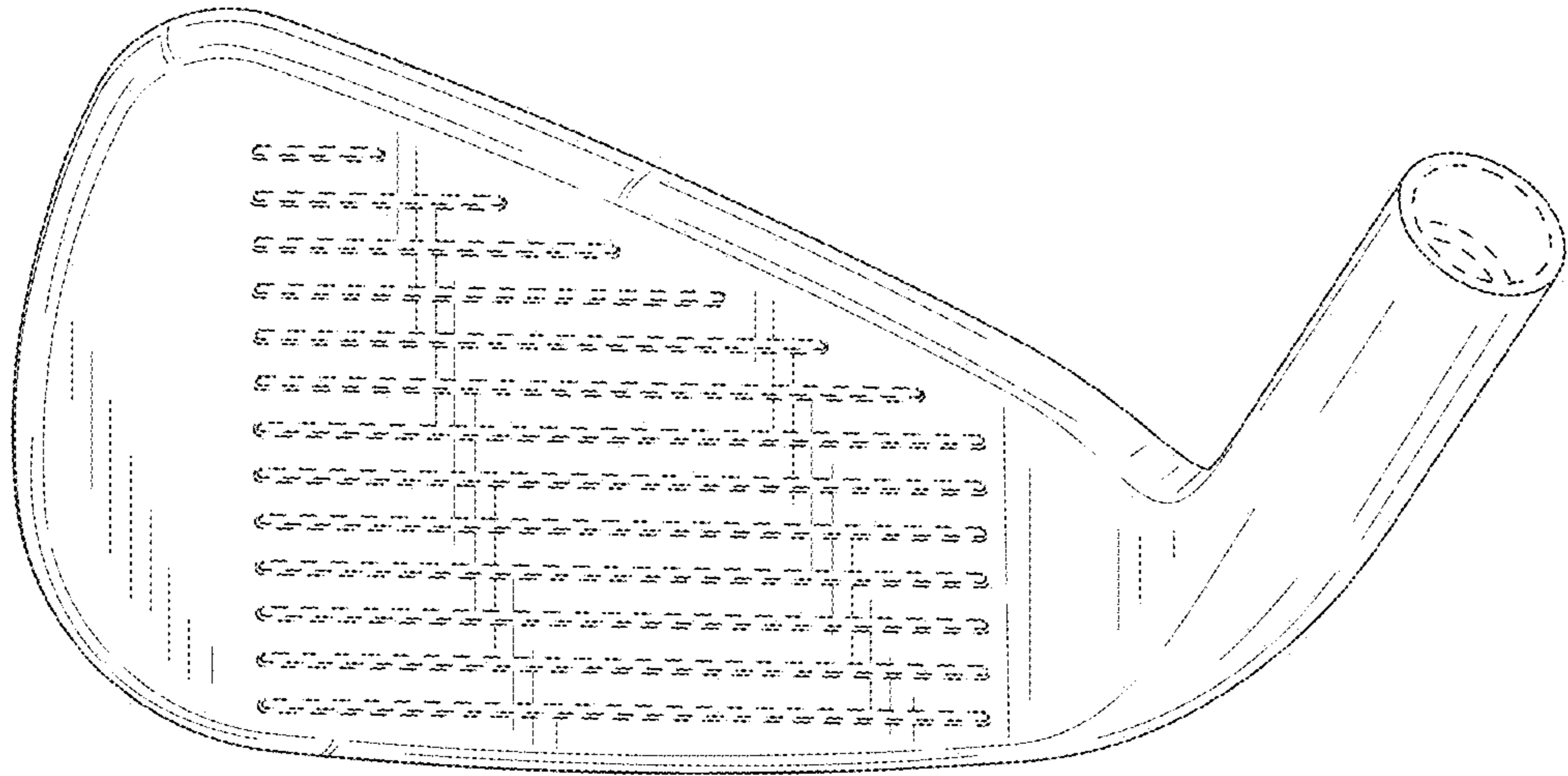


**FIG. 7**

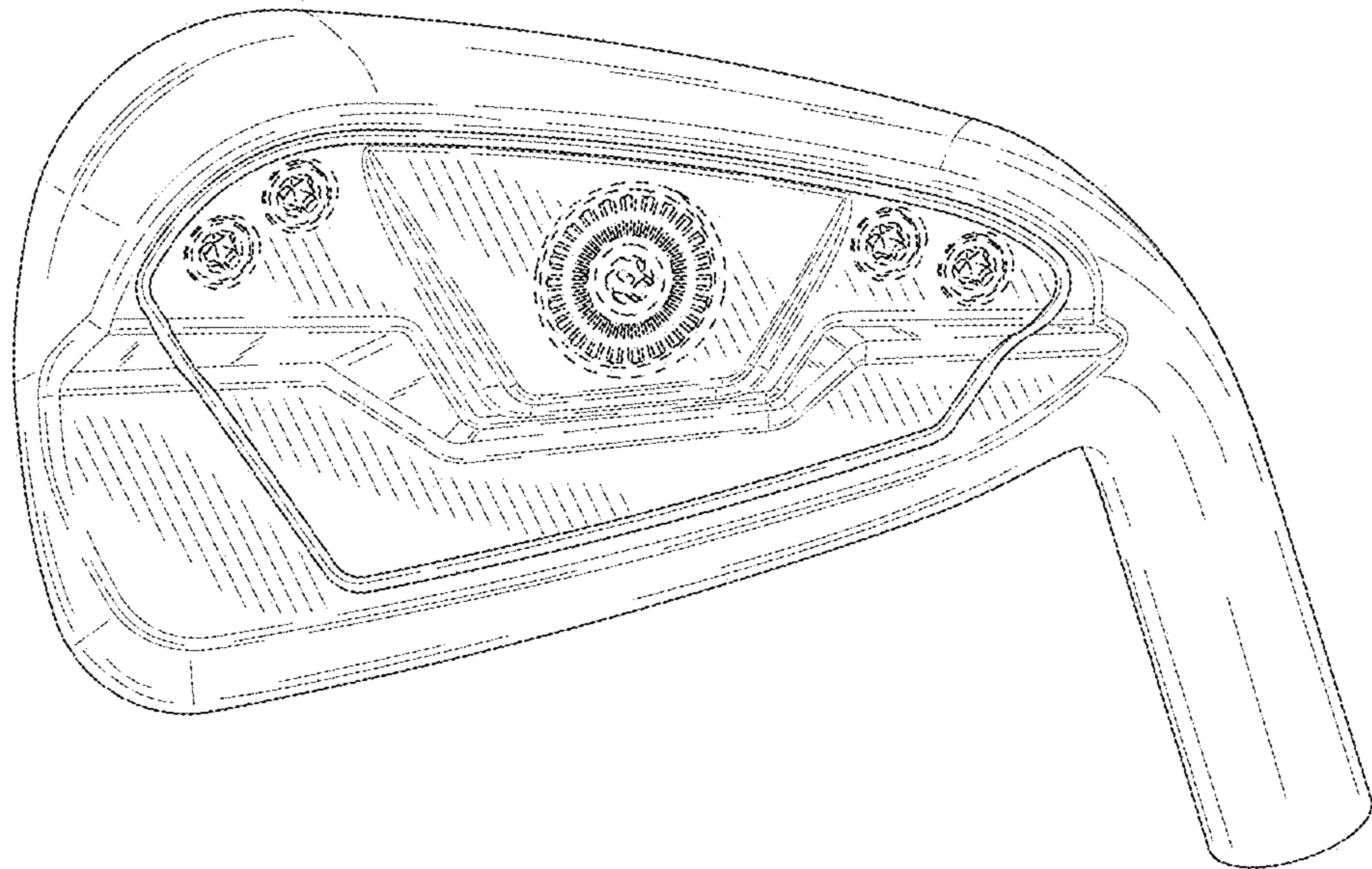


**FIG. 8**

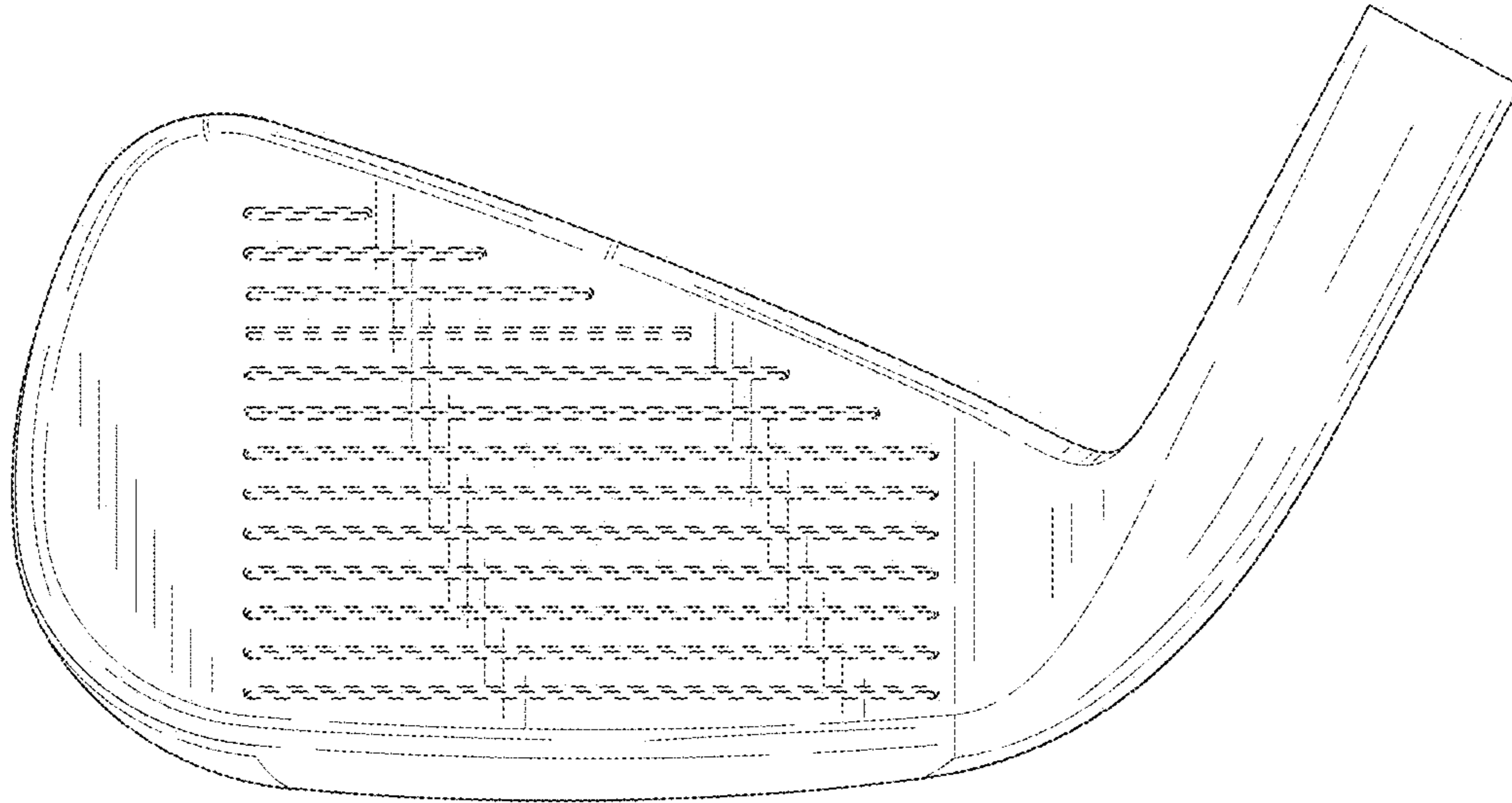




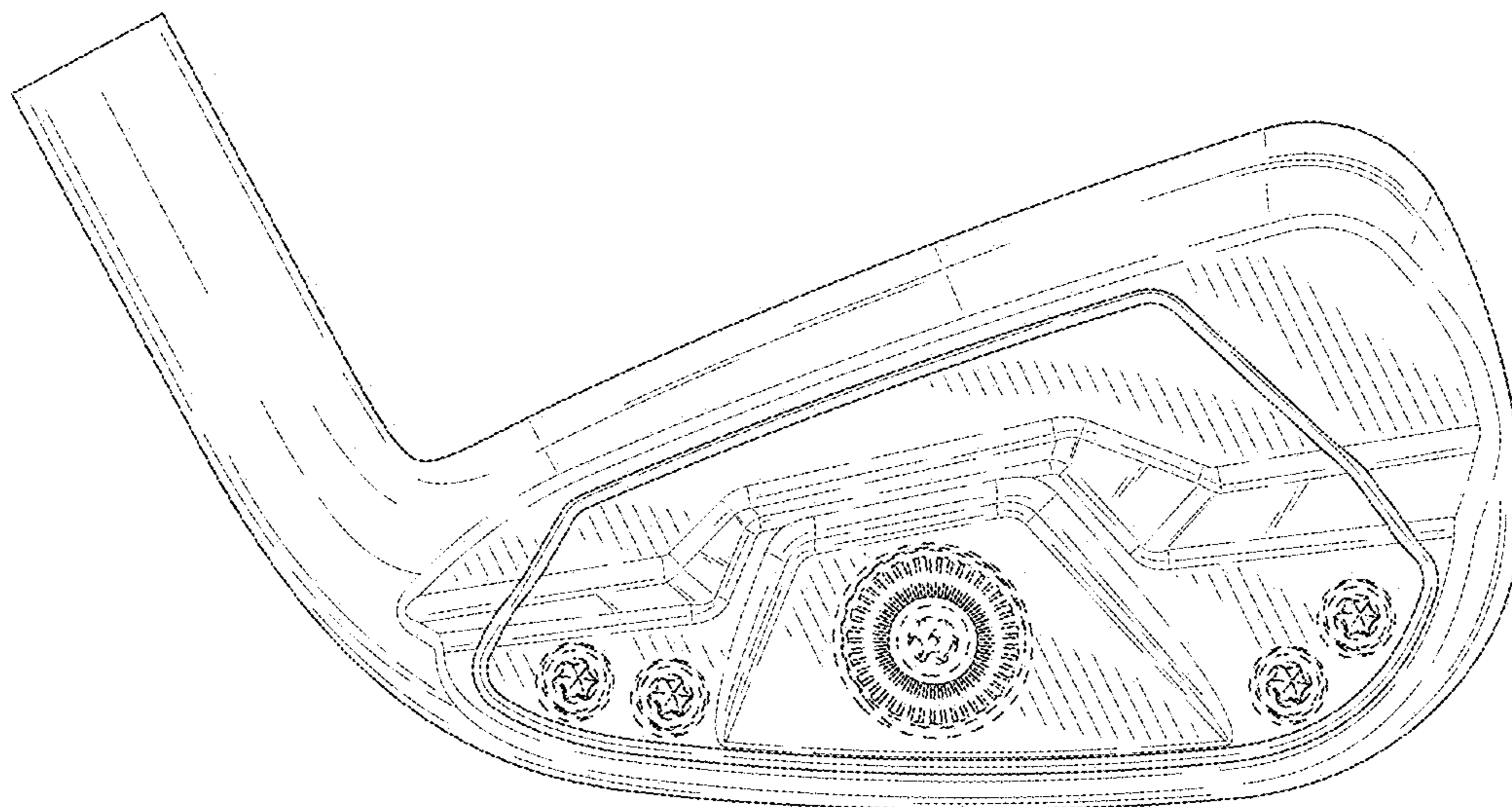
**FIG. 9**



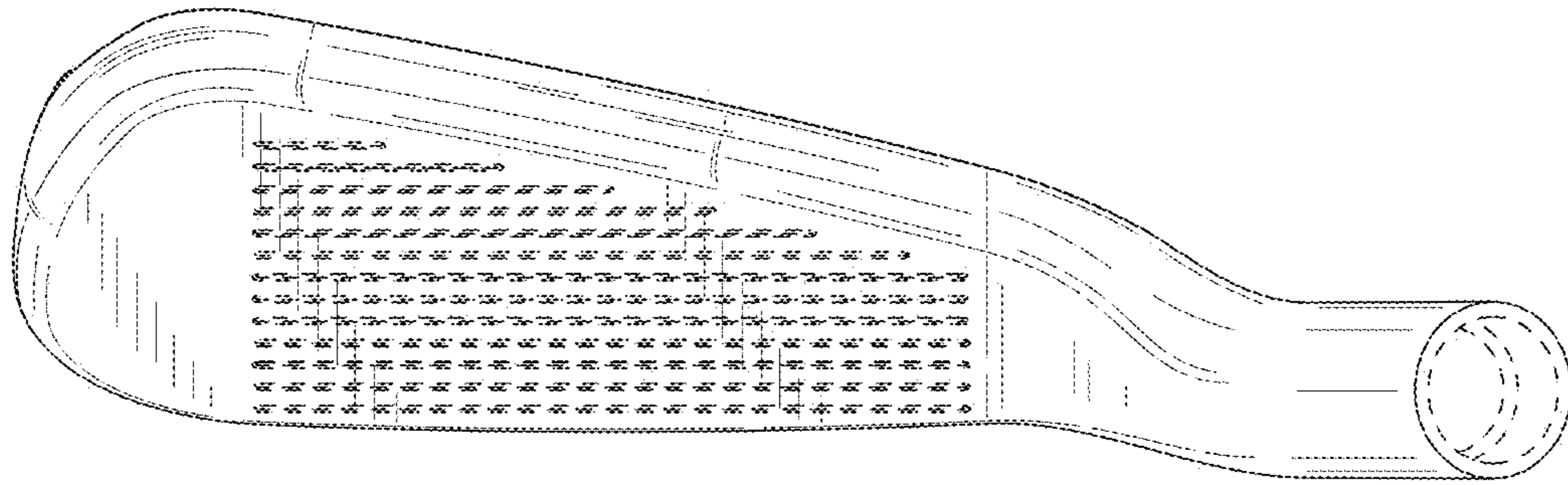
**FIG. 10**



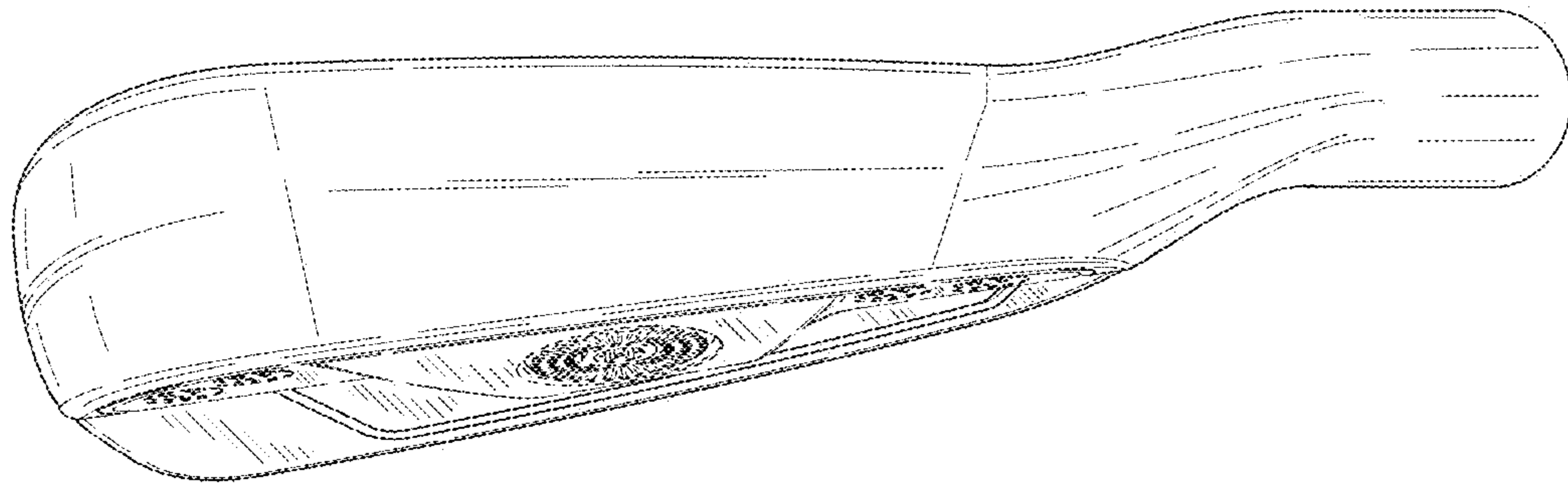
**FIG. 11**



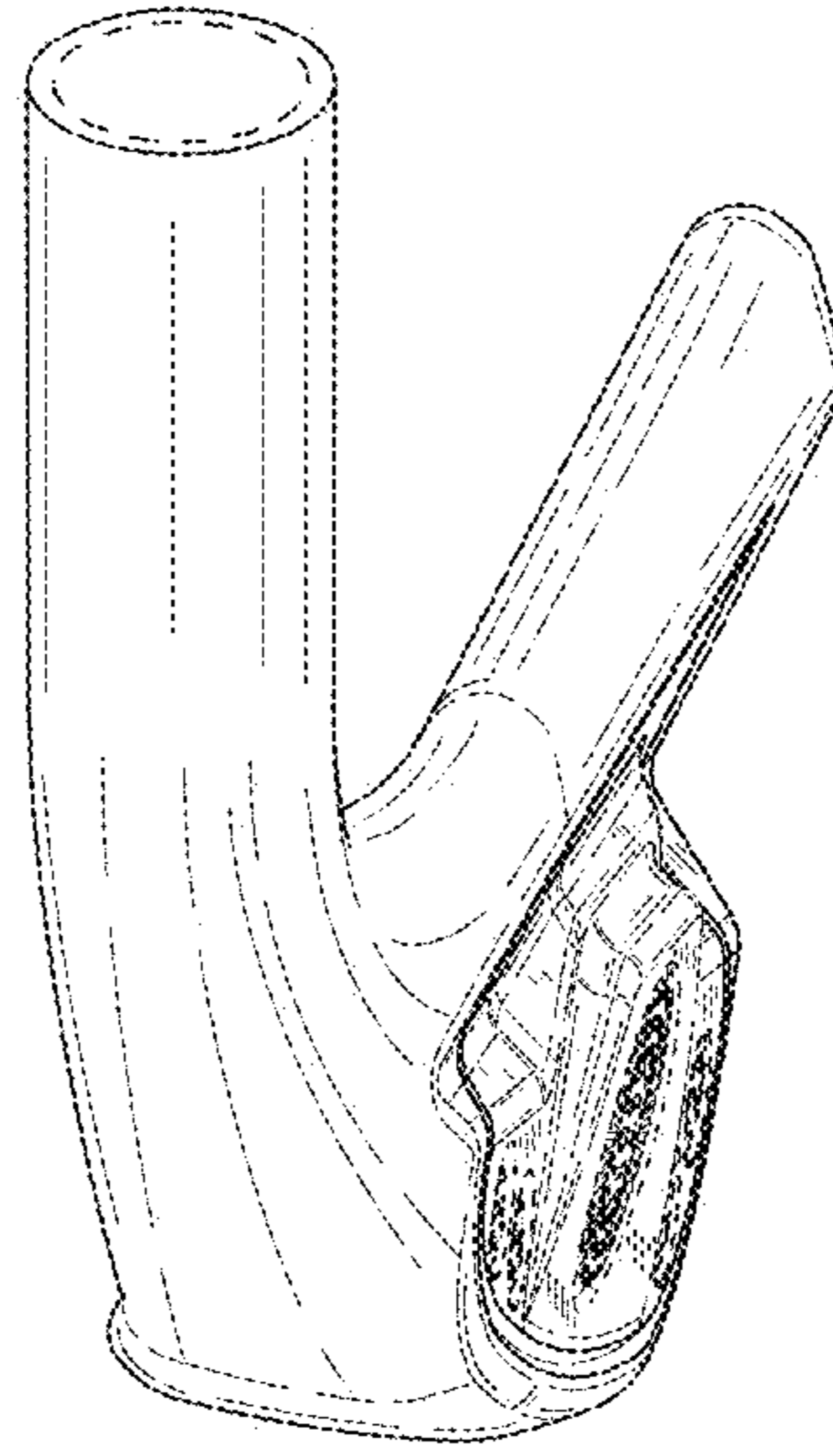
**FIG. 12**



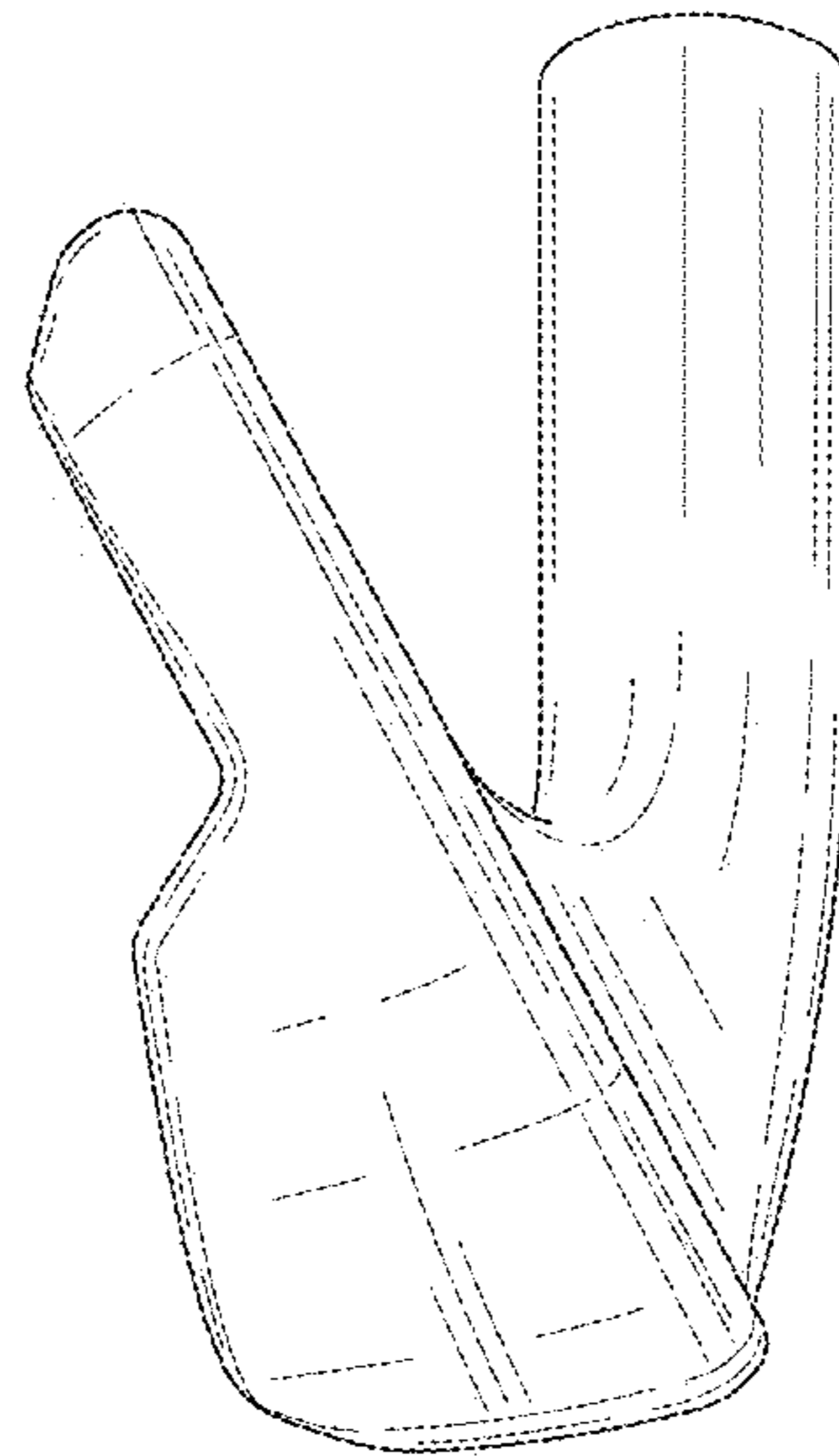
**FIG. 13**



**FIG. 14**



**FIG. 15**



**FIG. 16**