



US00D922502S

(12) **United States Design Patent** (10) **Patent No.:** **US D922,502 S**
Bearsch et al. (45) **Date of Patent:** **** Jun. 15, 2021**

(54) **CHILDREN'S TOY**

FOREIGN PATENT DOCUMENTS

(71) Applicant: **Skip Hop, Inc.**, New York, NY (US)

CA 2995555 A1 * 11/2017 B25J 11/0015
CA 2995556 A1 * 12/2017 B25J 11/0005

(72) Inventors: **Benjamin Bearsch**, Brooklyn, NY (US); **Hui Jin**, New York, NY (US); **Janet Villano**, Jersey City, NJ (US)

Primary Examiner — Catherine A Tuttle
(74) *Attorney, Agent, or Firm* — Stephen J. Weyer, Esq.; James R. Hayne, Esq.; Stites & Harbison, PLLC

(73) Assignee: **SKIP HOP, INC.**, New York, NY (US)

(57) **CLAIM**

The ornamental design for the children's toy, as shown and described.

(**) Term: **15 Years**

DESCRIPTION

(21) Appl. No.: **29/609,766**

FIG. 1 is a top, front, and left side perspective view of the children's toy showing our new design.

(22) Filed: **Jul. 5, 2017**

FIG. 2 is a left side view thereof.

(51) **LOC (13) Cl.** **21-01**

FIG. 3 is a front elevational view of the base element of the children's toy shown in isolation for a clear and complete disclosure thereof.

(52) **U.S. Cl.**

USPC **D21/578**; D21/585; D21/592; D21/658; D21/659

FIG. 4 is a rear elevational view thereof.

(58) **Field of Classification Search**

USPC D21/398, 400, 404, 405–407, 461, 466, D21/468, 493, 576–661, 455, 456, 473, D21/547, 560, 714; D14/388, 403, 405, D14/412, 413, 417; D30/160; 446/3, 69, 446/175, 227, 236, 237, 238, 242, 265, 446/268–270, 275, 279, 280, 297, 303, 446/321, 353, 359, 404, 409, 431, 436, 446/437, 438, 439, 454–456, 457, 460, 446/470, 471, 484, 485

FIG. 5 is a right side view thereof.

FIG. 6 is a left side view thereof.

FIG. 7 is a top plan view thereof.

FIG. 8 is a bottom plan view thereof.

FIG. 9 is a bottom, rear, and right side perspective view thereof.

FIG. 10 is a top, front, and left side perspective view of the removable character element of the children's toy shown in isolation for a clear and complete disclosure thereof.

FIG. 11 is a front elevational view thereof.

FIG. 12 is a rear elevational view thereof.

FIG. 13 is a left side view thereof, with the right side being a mirror image thereof.

FIG. 14 is a top plan view thereof.

FIG. 15 is a bottom plan view thereof; and,

FIG. 16 is a top, front, and left side perspective view showing the base element of the children's toy in association with an alternate character.

The broken lines showing the alternate character and portions of the base are for illustrative purposes only.

CPC .. A63H 33/005; A63H 33/006; A63H 33/007; A63H 3/006; A63H 3/28; A63H 11/00; A63H 7/04

See application file for complete search history.

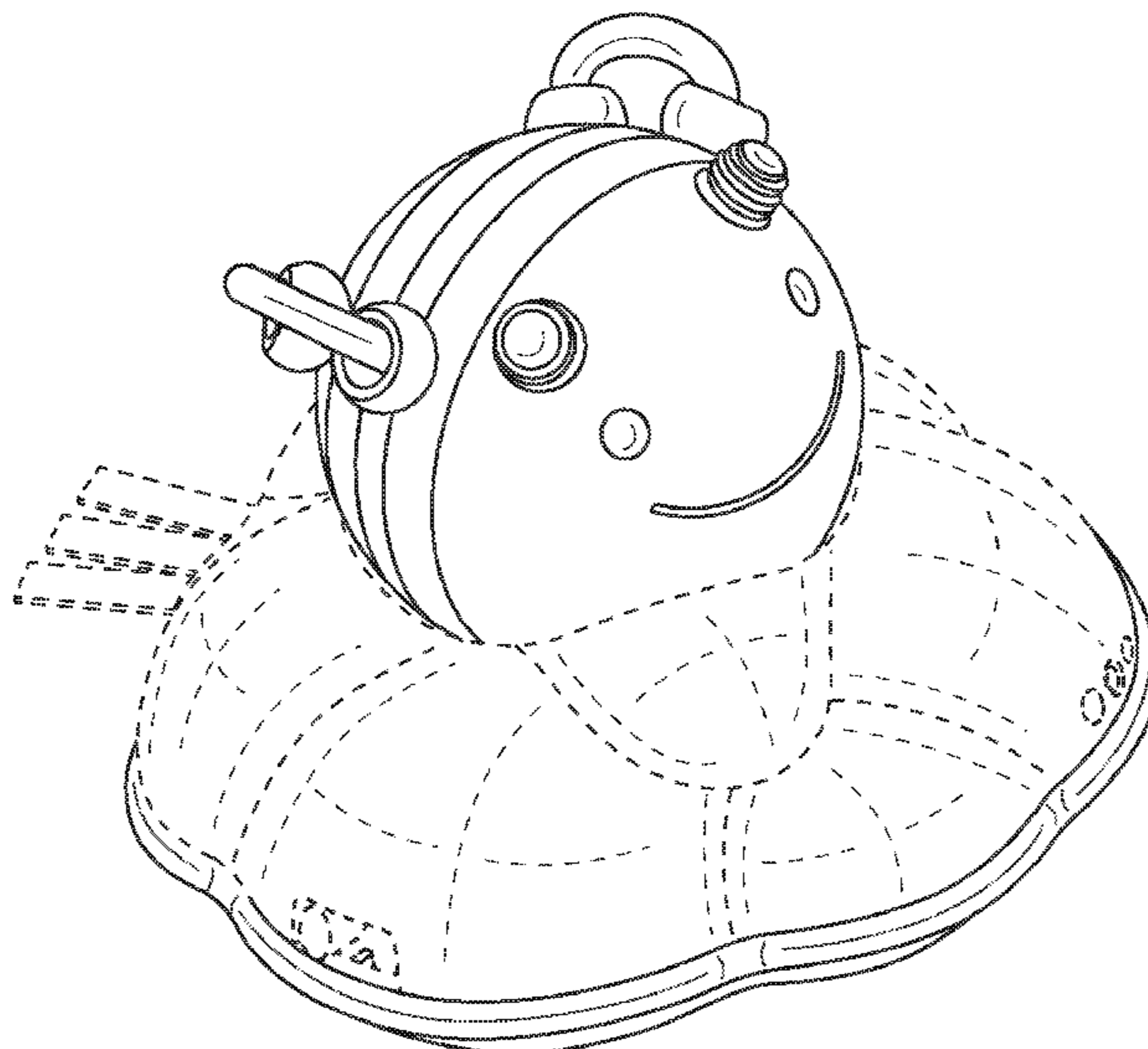
(56) **References Cited**

U.S. PATENT DOCUMENTS

D51,097 S * 7/1917 Morse D21/592
D250,788 S * 1/1979 Nakao D21/595

(Continued)

1 Claim, 13 Drawing Sheets



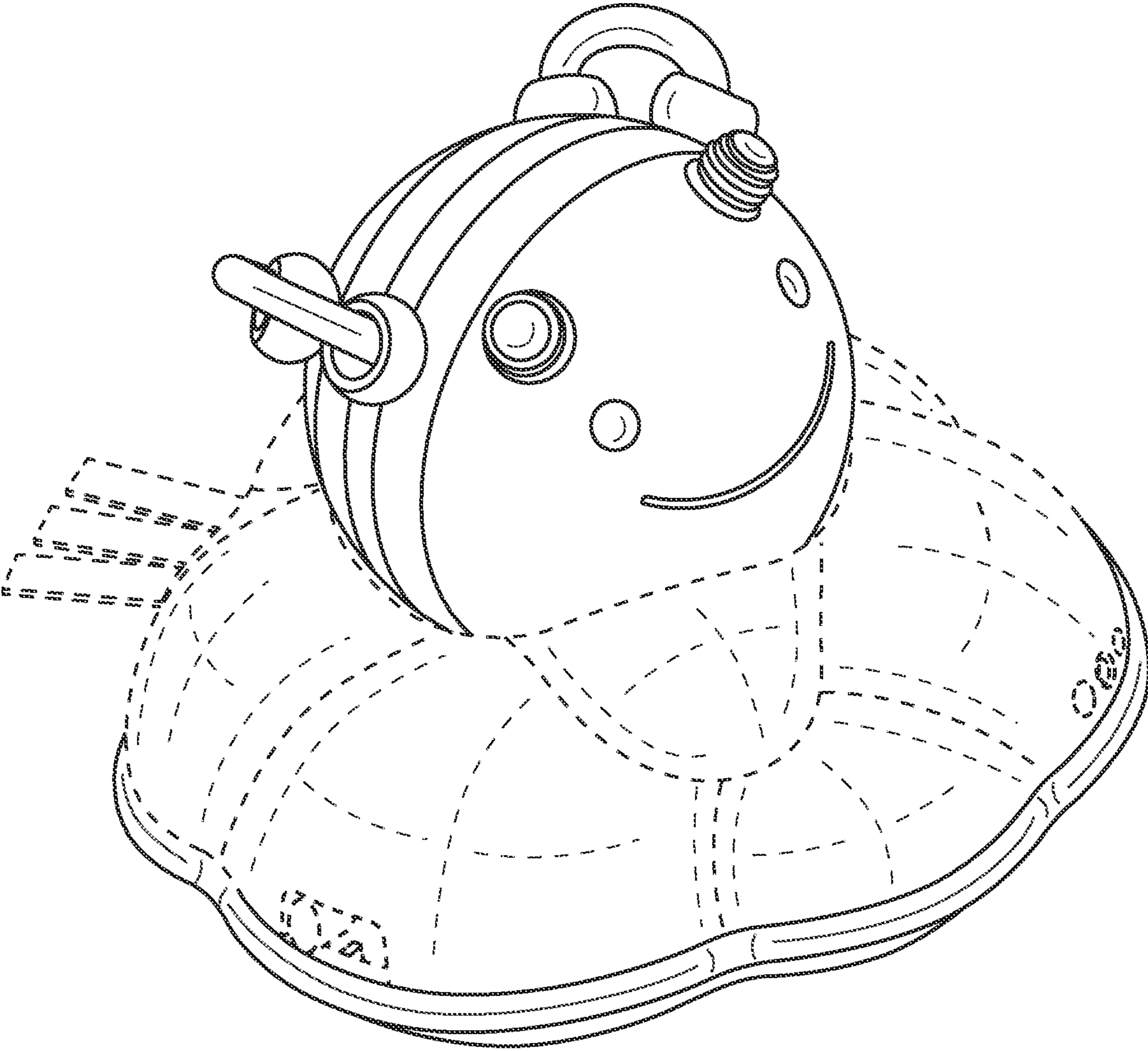


FIG. 1

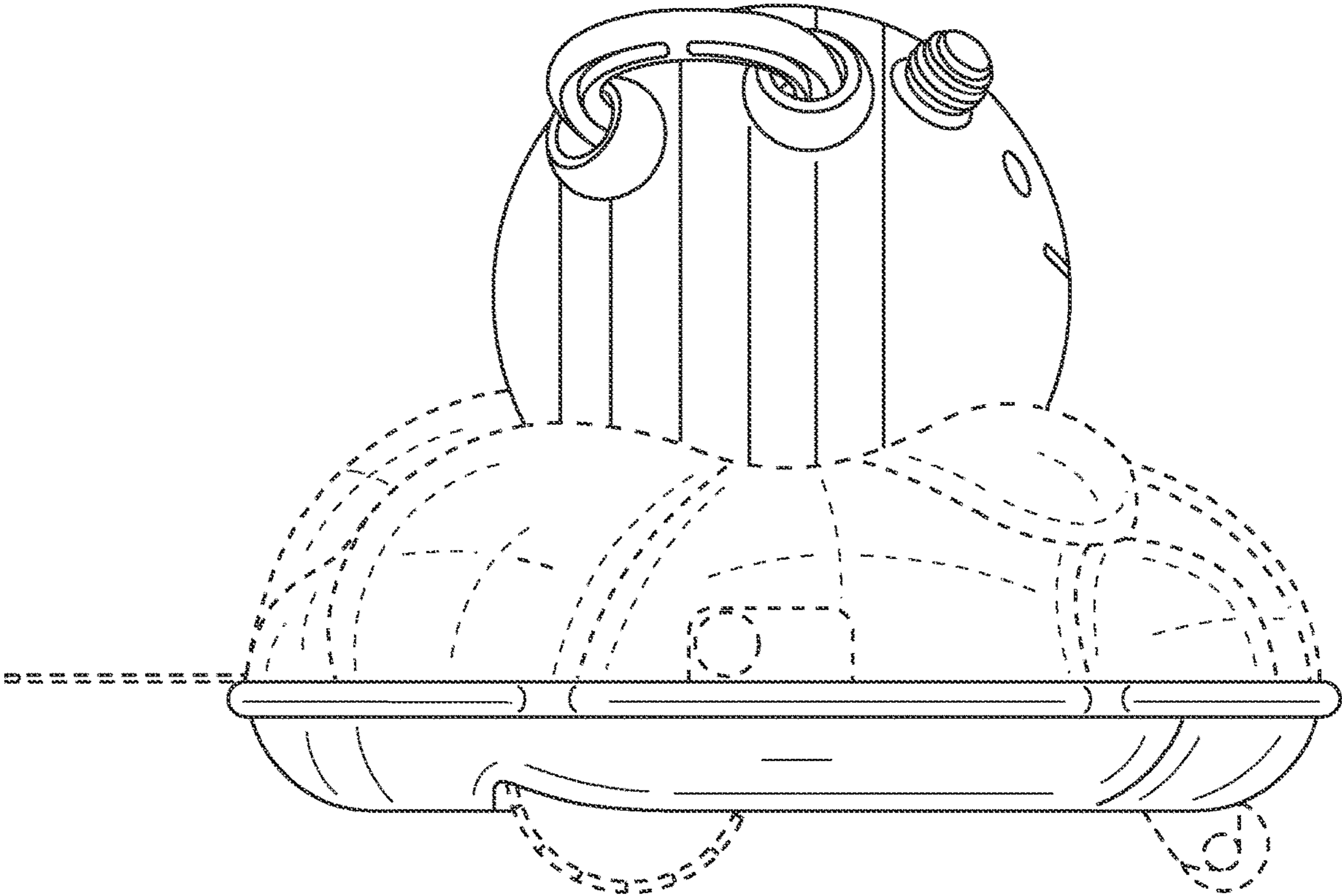


FIG. 2

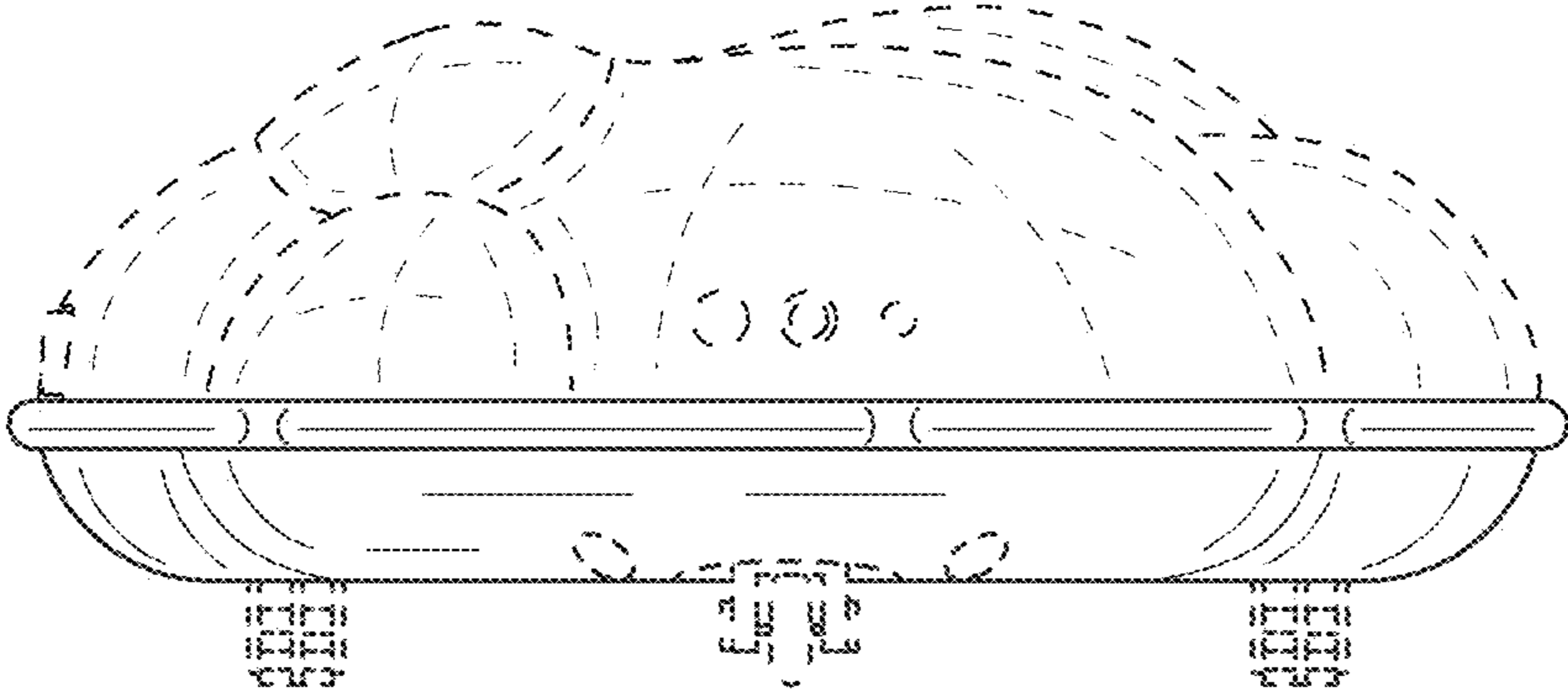


FIG. 3

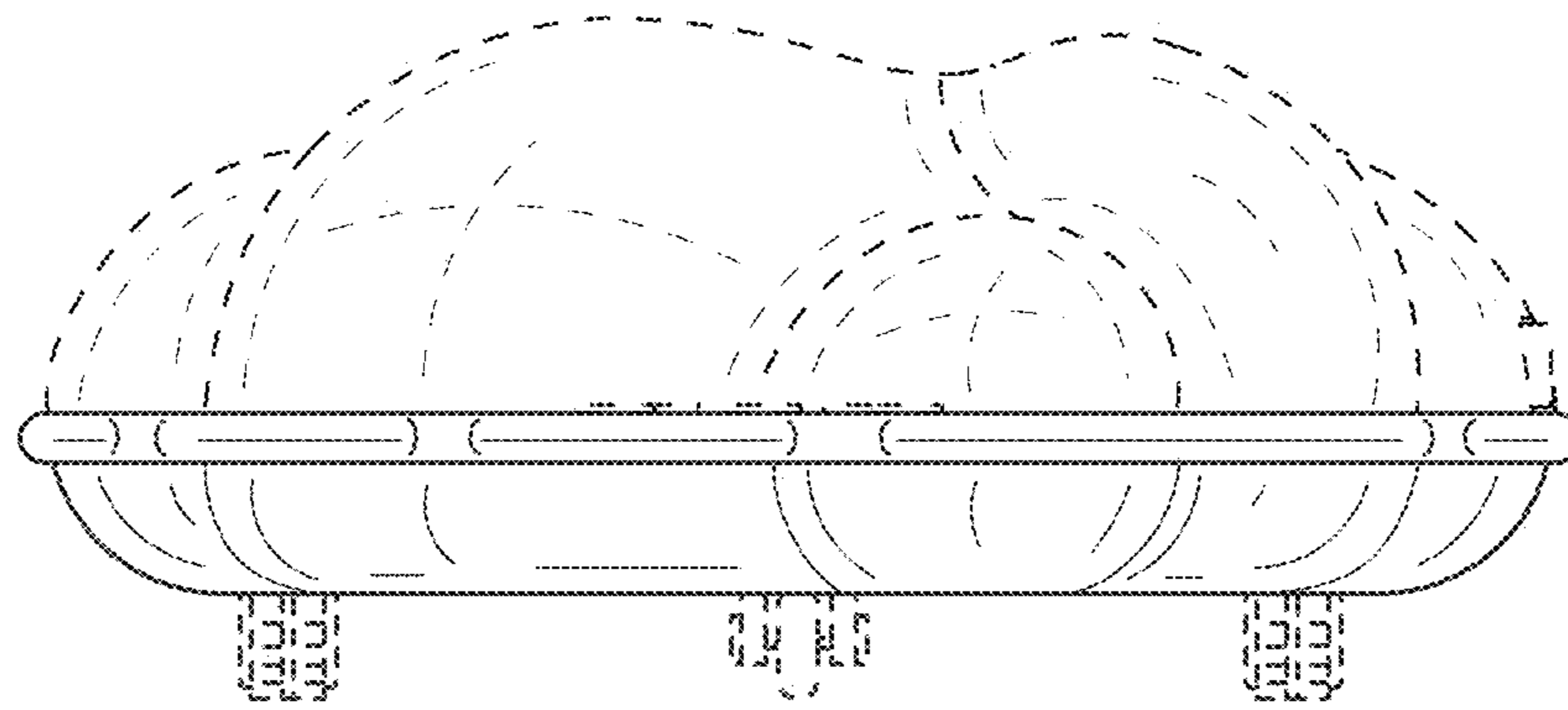


FIG. 4

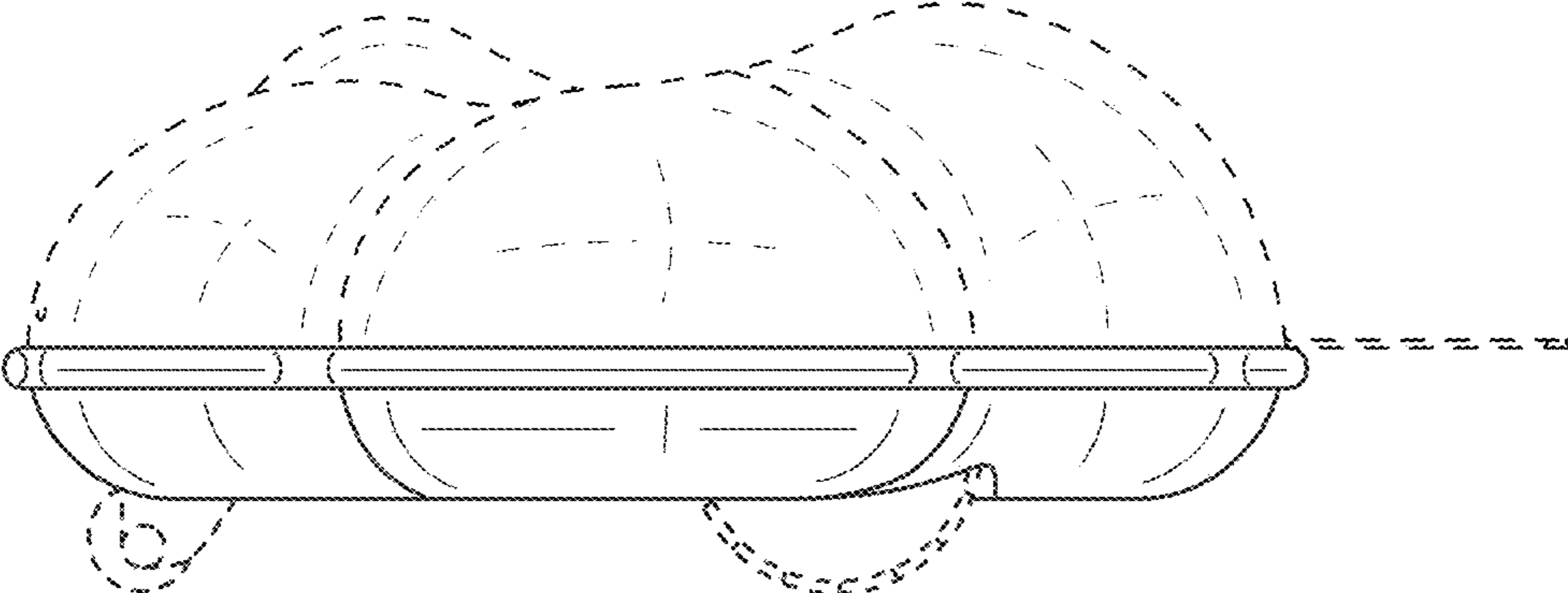


FIG. 5

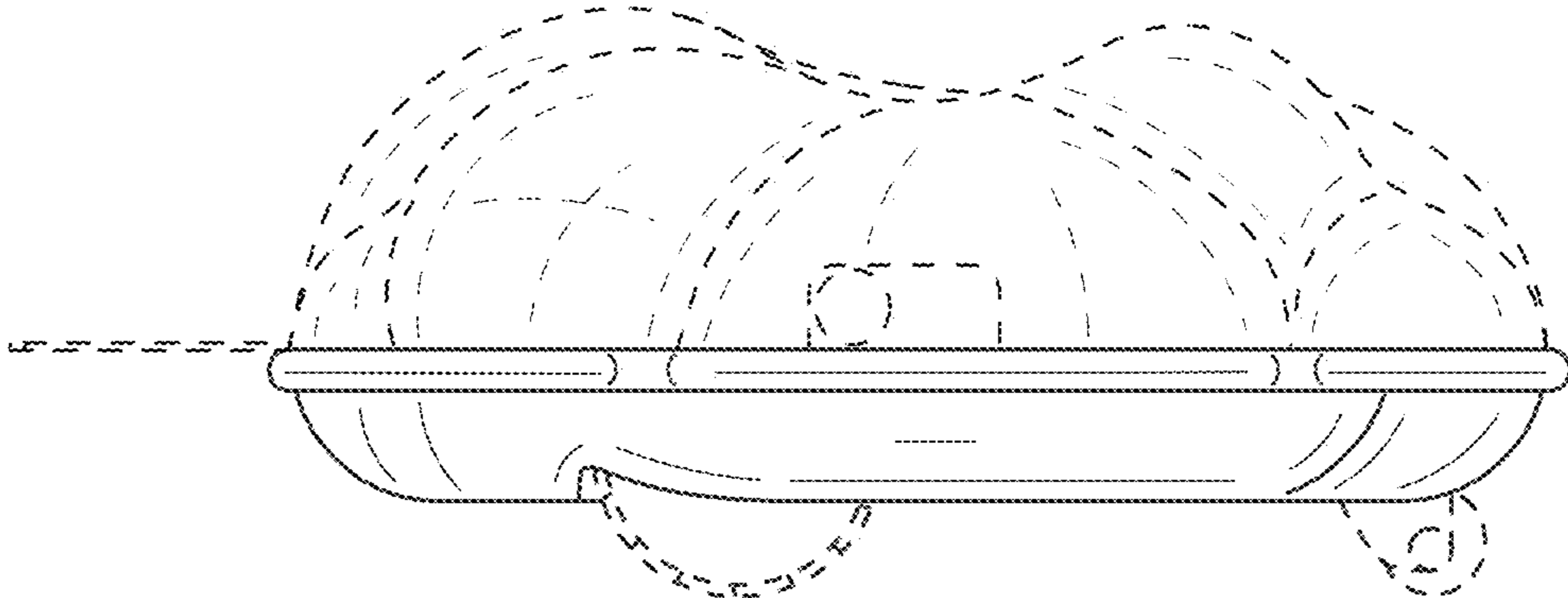


FIG. 6

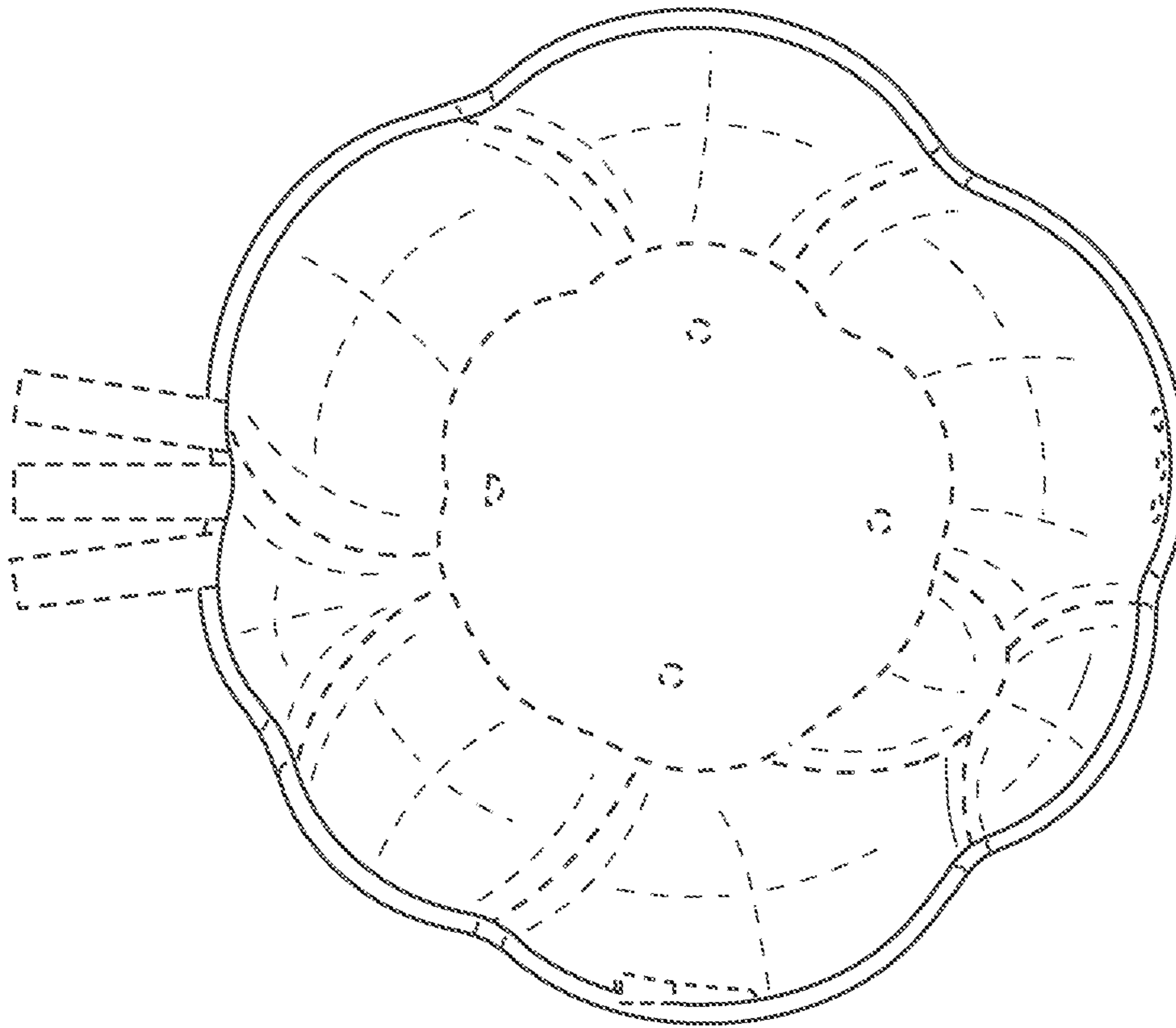


FIG. 7

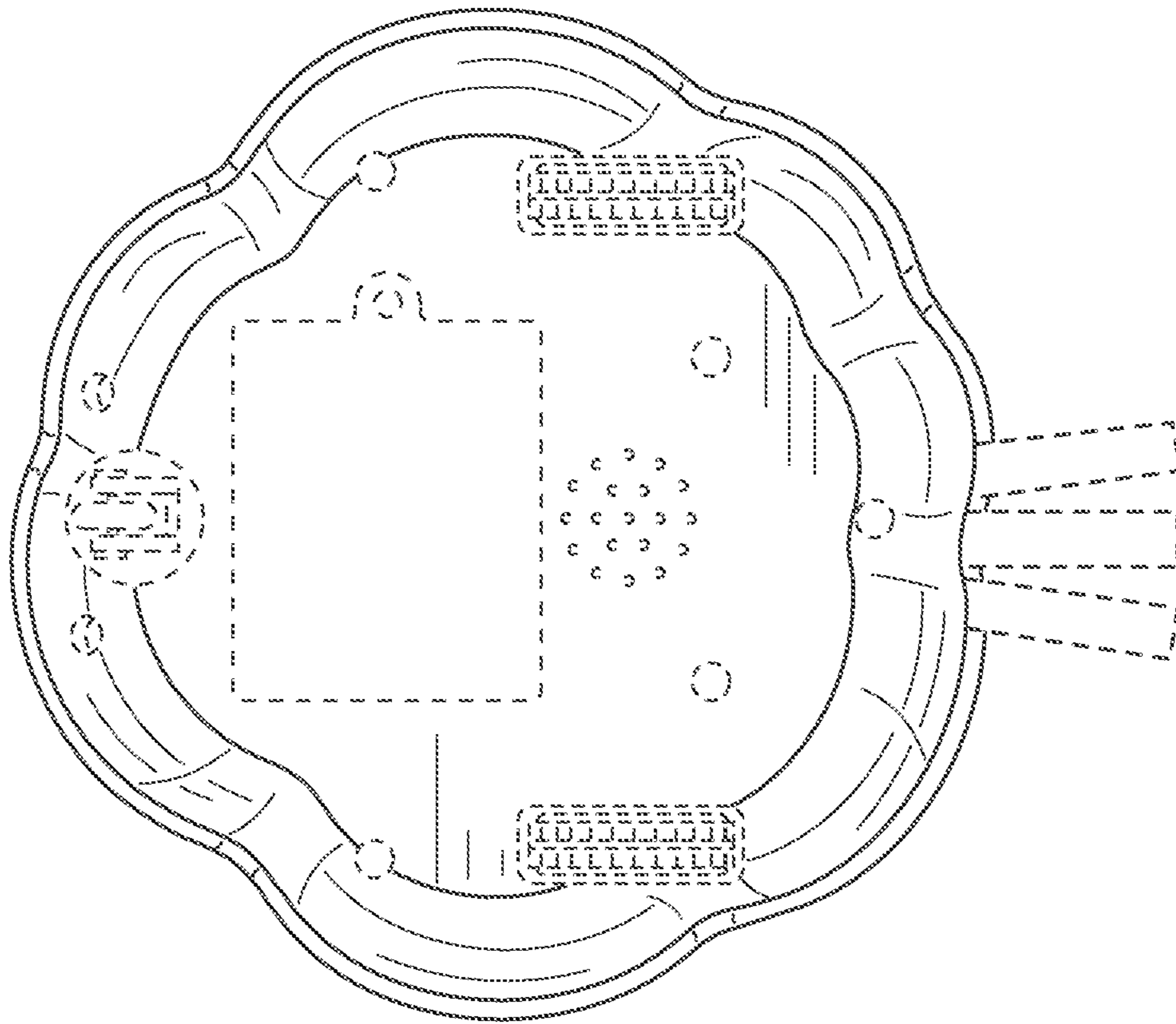


FIG. 8

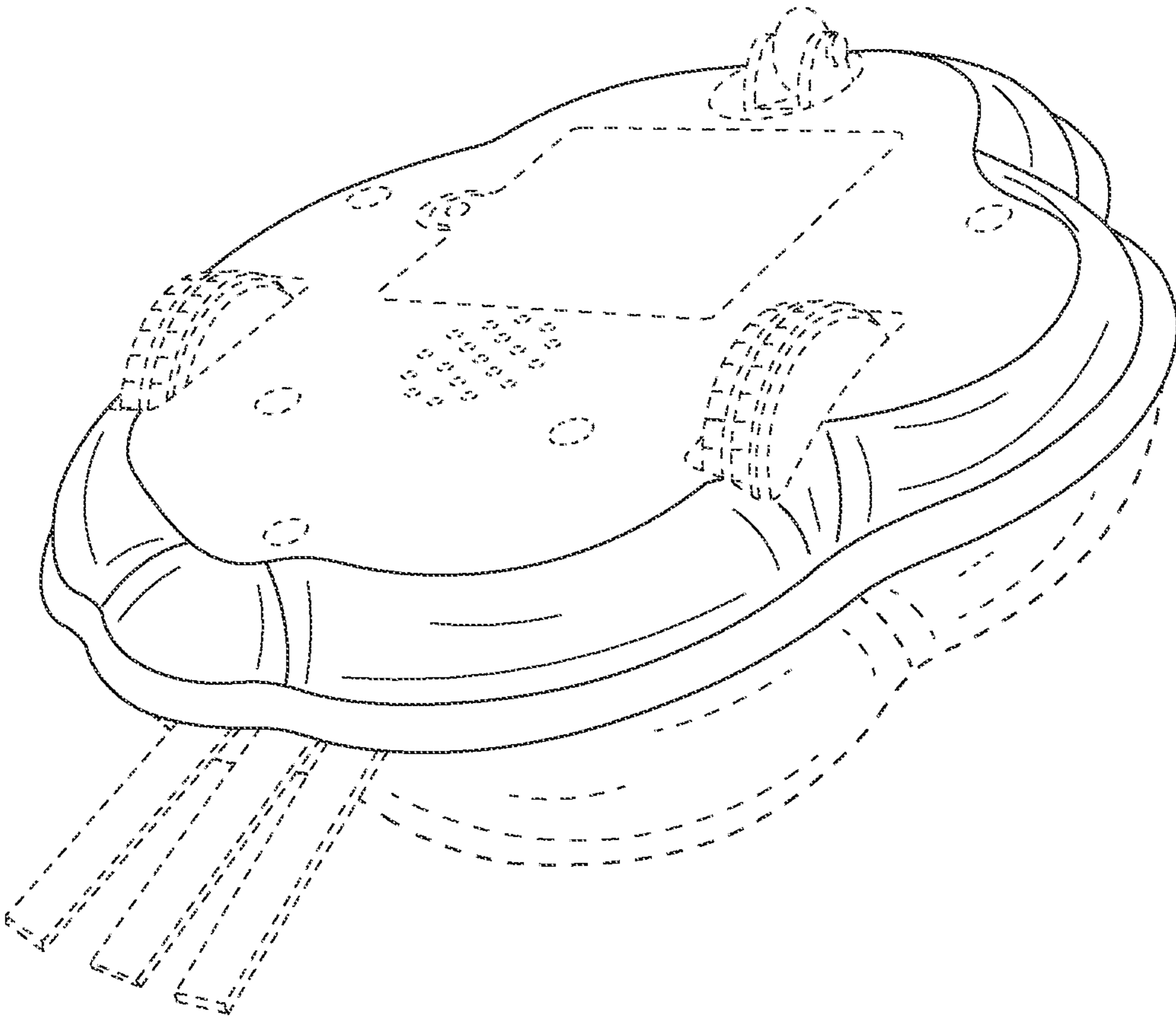


FIG. 9

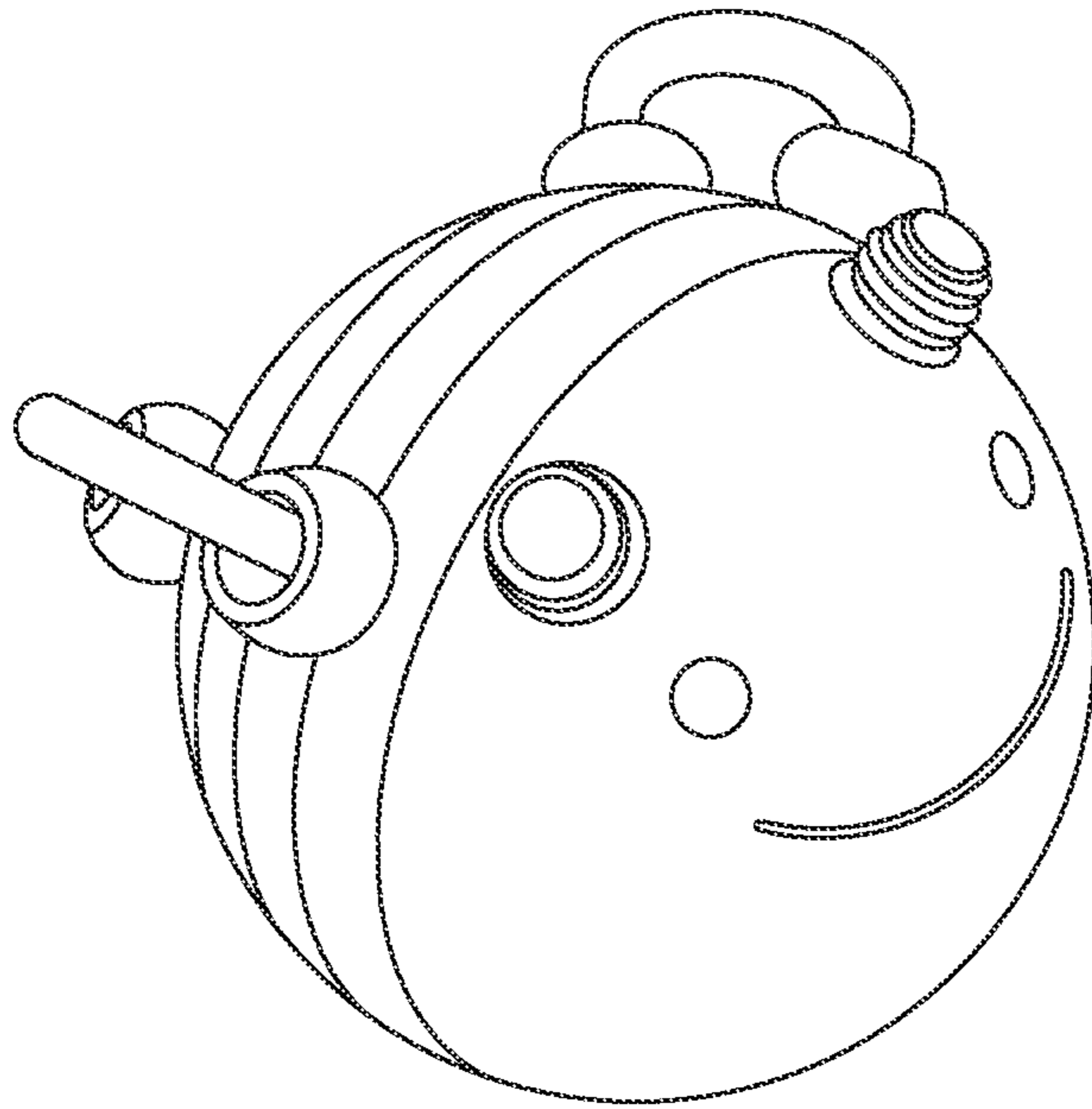


FIG. 10

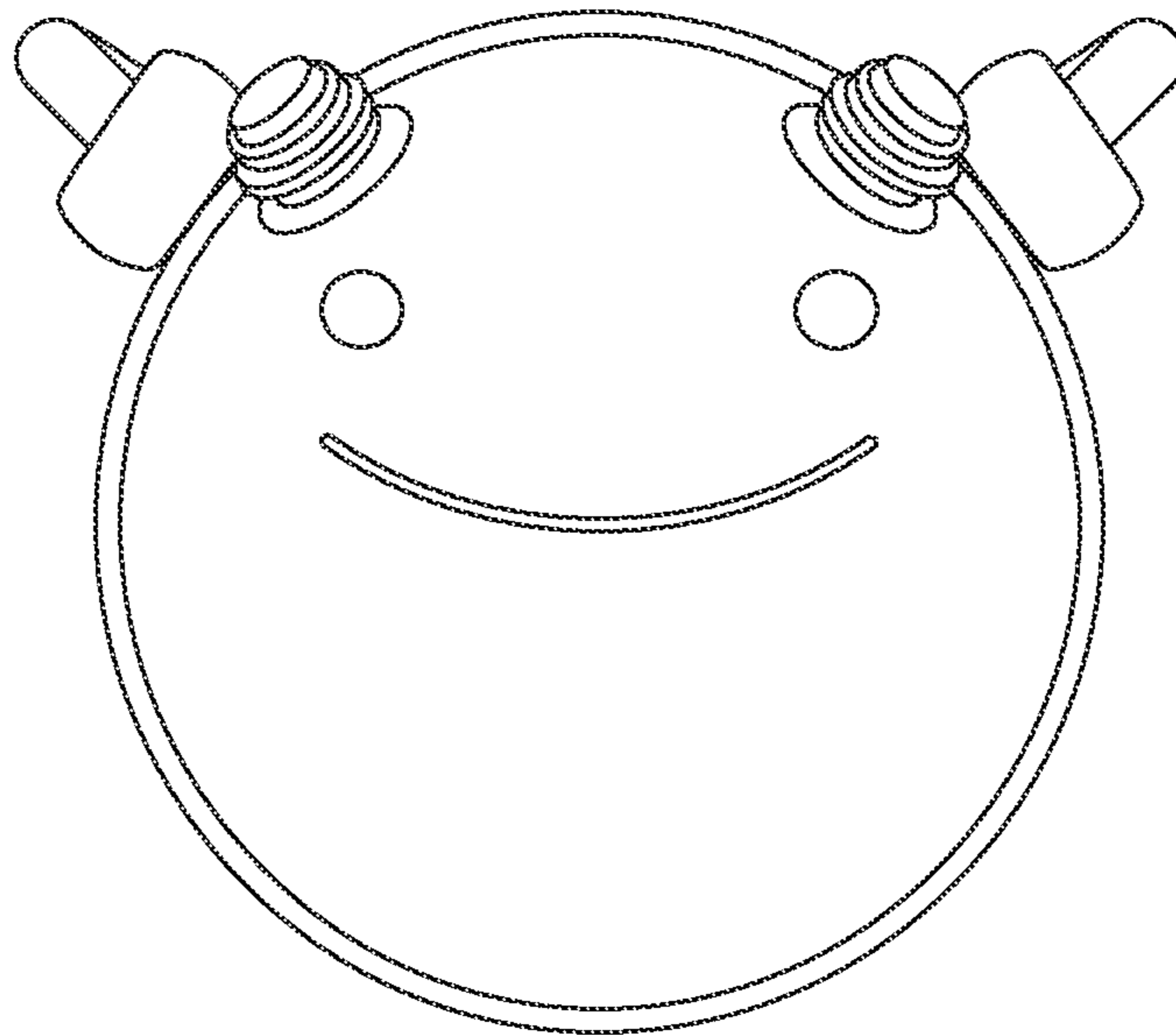


FIG. 11

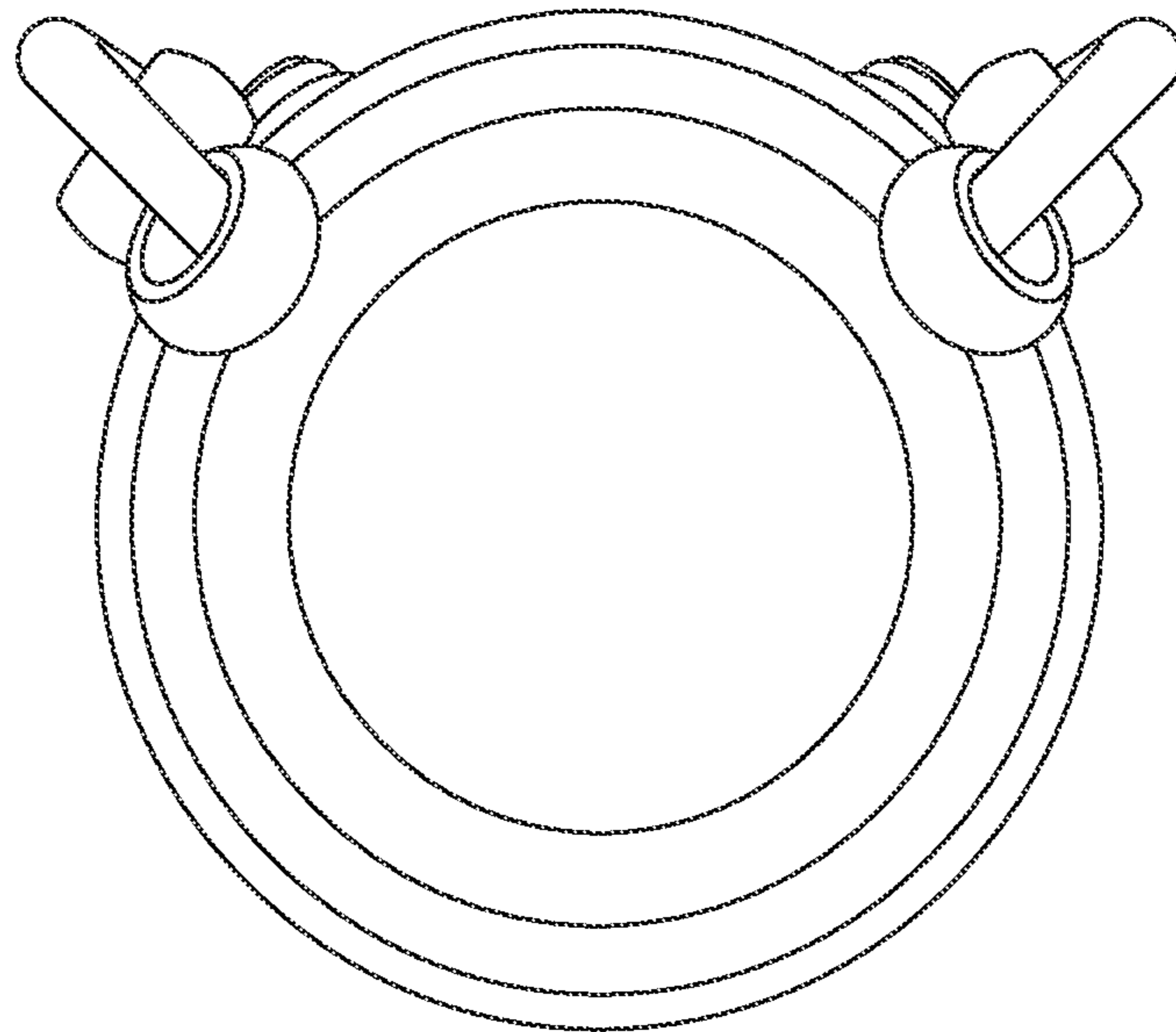


FIG. 12

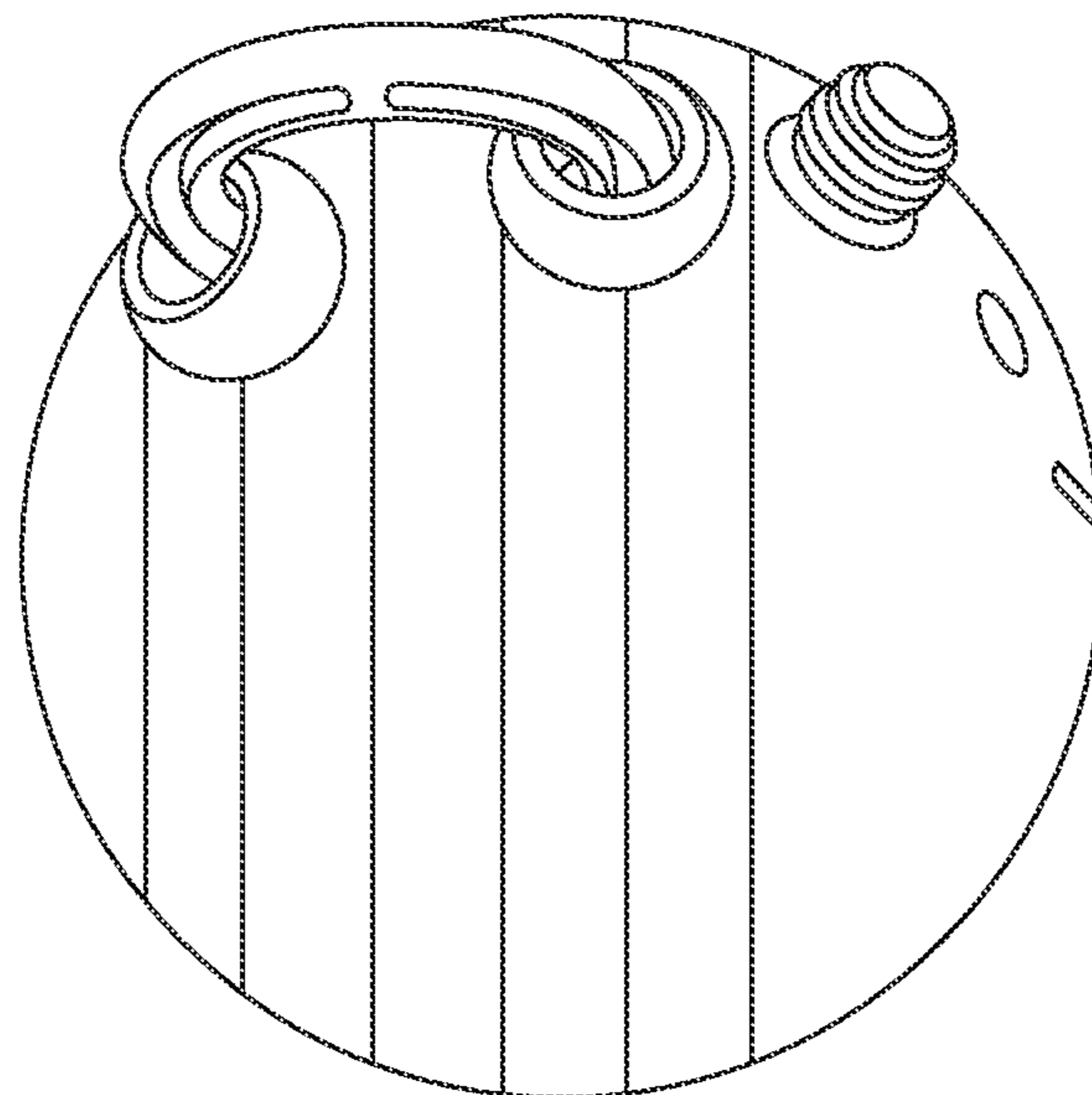


FIG. 13

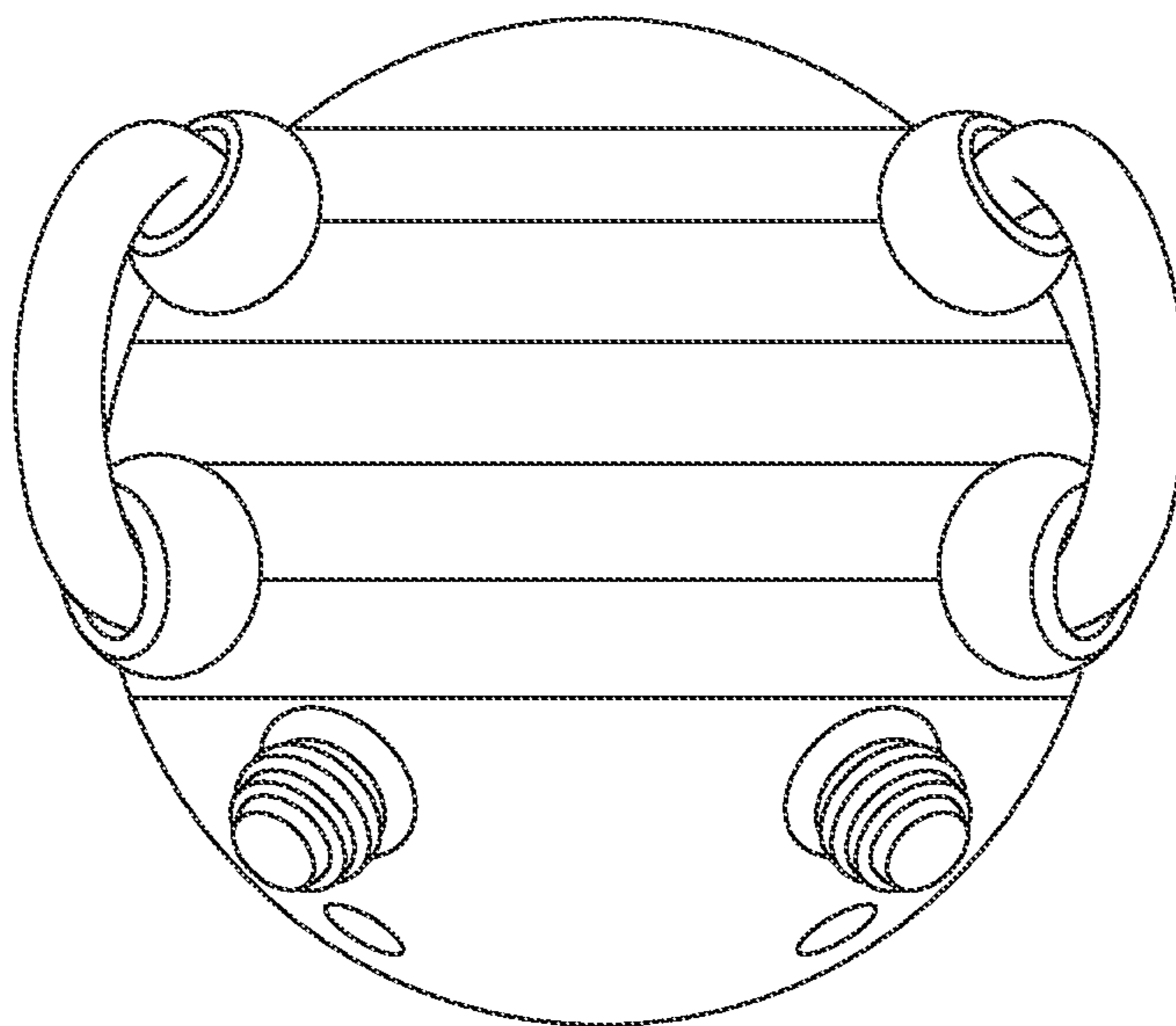


FIG. 14

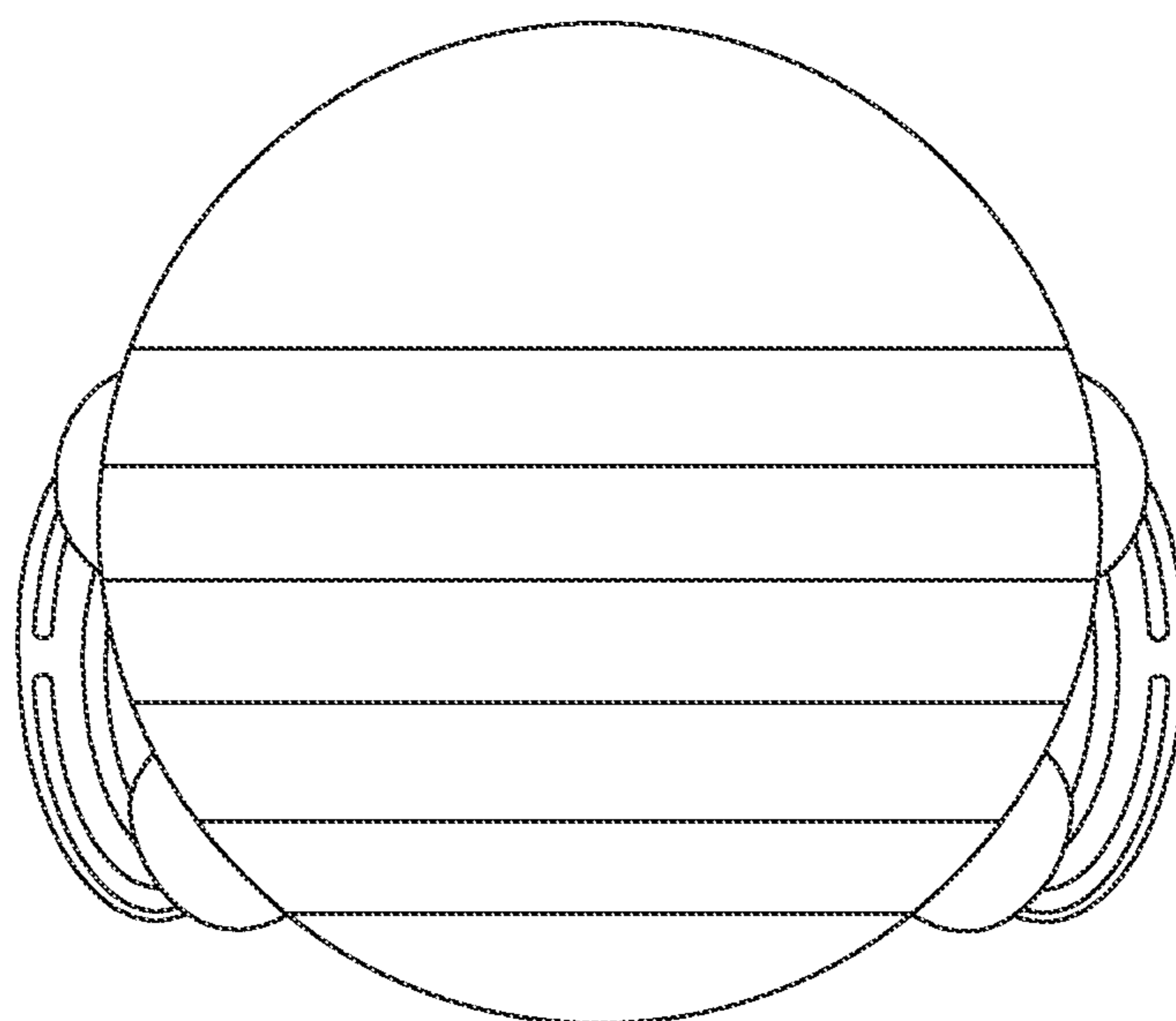


FIG. 15

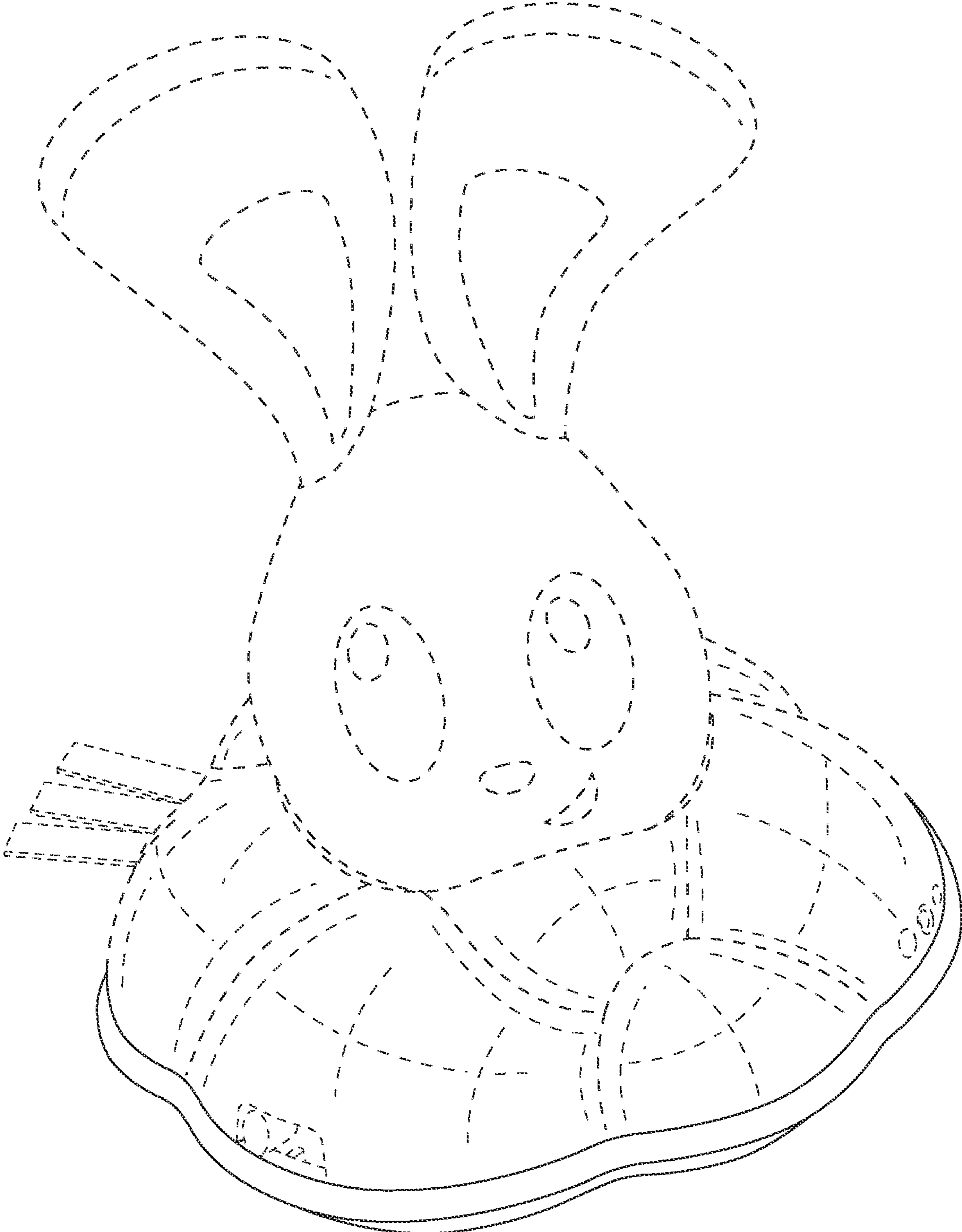


FIG. 16