



US00D922500S

(12) **United States Design Patent**
Chen

(10) **Patent No.:** **US D922,500 S**

(45) **Date of Patent:** **** Jun. 15, 2021**

(54) **3D PUZZLE TOY**

(71) Applicant: **SHENZHEN HONGYUHAO TRADING CO., LTD.**, Shenzhen (CN)

(72) Inventor: **Yi Chen**, Nanyang (CN)

(73) Assignee: **SHENZHEN HONGYUHAO TRADING CO., LTD.**, Shenzhen (CN)

(**) Term: **15 Years**

(21) Appl. No.: **29/768,377**

(22) Filed: **Jan. 29, 2021**

(51) **LOC (13) Cl.** **21-01**

(52) **U.S. Cl.**
USPC **D21/479**

(58) **Field of Classification Search**
USPC D21/478-479, 650, 592, 620, 615-616;
D11/83, 159
CPC A63H 3/16; A63H 13/02
See application file for complete search history.

(56) **References Cited**

U.S. PATENT DOCUMENTS

1,697,351 A * 1/1929 Feddersen A63H 13/02
446/339
D141,036 S * 5/1945 Ridley D21/479

D223,936 S * 6/1972 Meth et al. D21/616
D257,369 S * 10/1980 Kodaka D21/615
D269,028 S * 5/1983 Gardner D21/616
D373,802 S * 9/1996 Doi D21/592
D599,416 S 9/2009 Turco-Rivas
D885,496 S 5/2020 Xianxin

* cited by examiner

Primary Examiner — George D. Kirschbaum

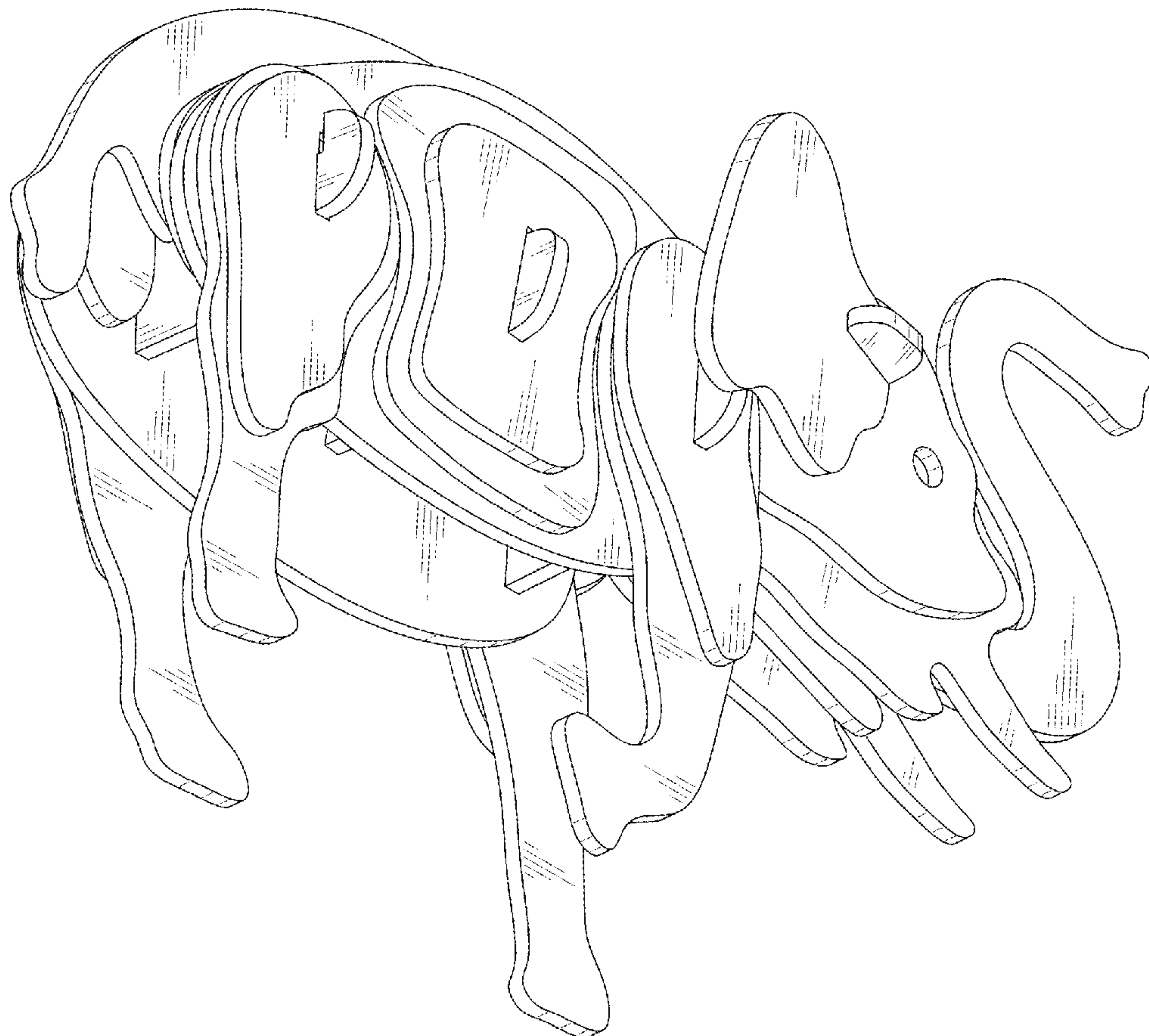
(57) **CLAIM**

The ornamental design for a 3D puzzle toy, as shown and described.

DESCRIPTION

FIG. 1 is a perspective view of a 3D puzzle toy showing my new design;
FIG. 2 is another perspective view thereof;
FIG. 3 is a front elevational view thereof;
FIG. 4 is a rear elevational view thereof;
FIG. 5 is a left side elevational view thereof;
FIG. 6 is a right side elevational view thereof;
FIG. 7 is a top plan view thereof;
FIG. 8 is a bottom plan view thereof; and,
FIG. 9 is an exploded perspective view of the 3D puzzle toy.

1 Claim, 9 Drawing Sheets



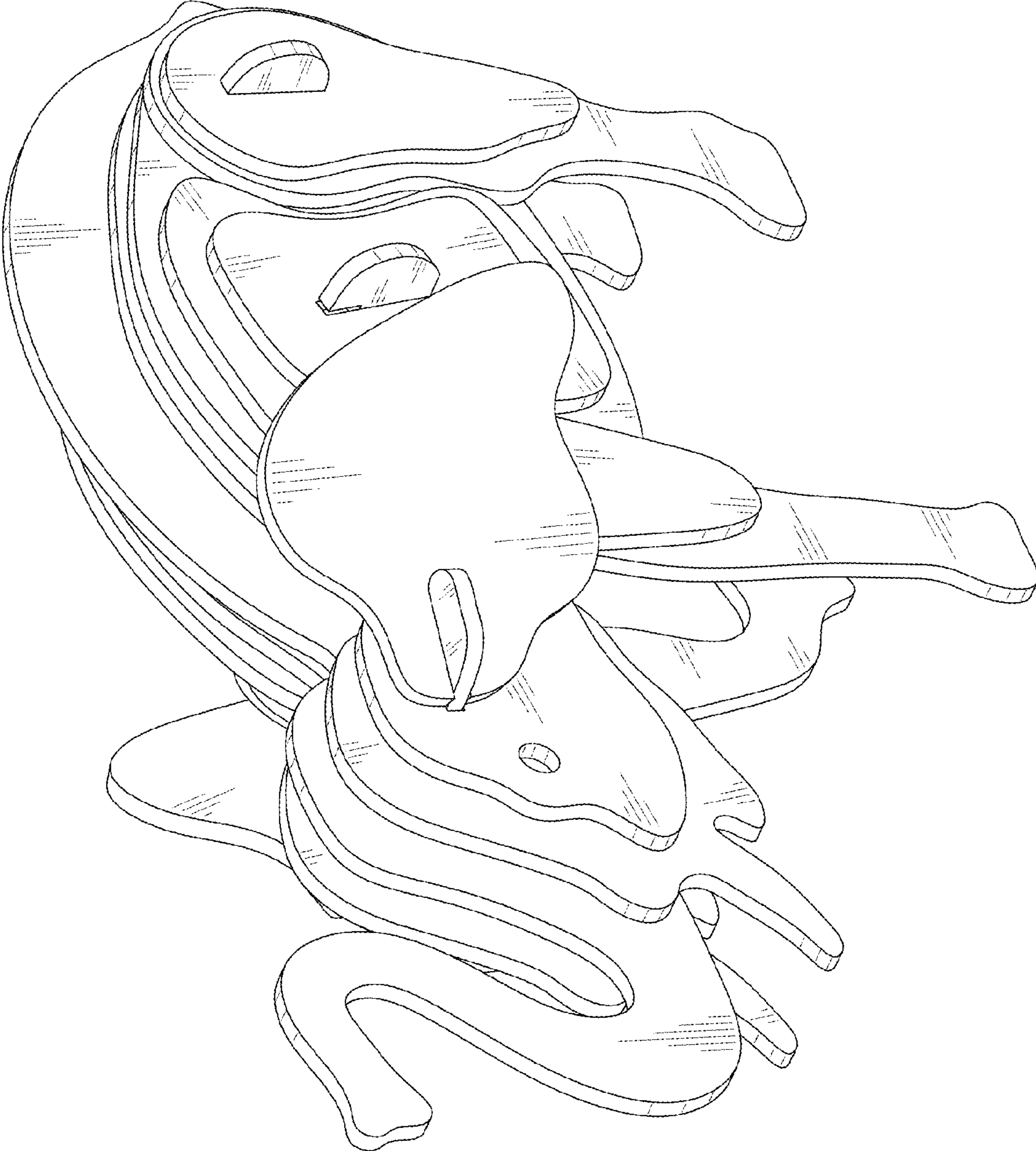


FIG. 1

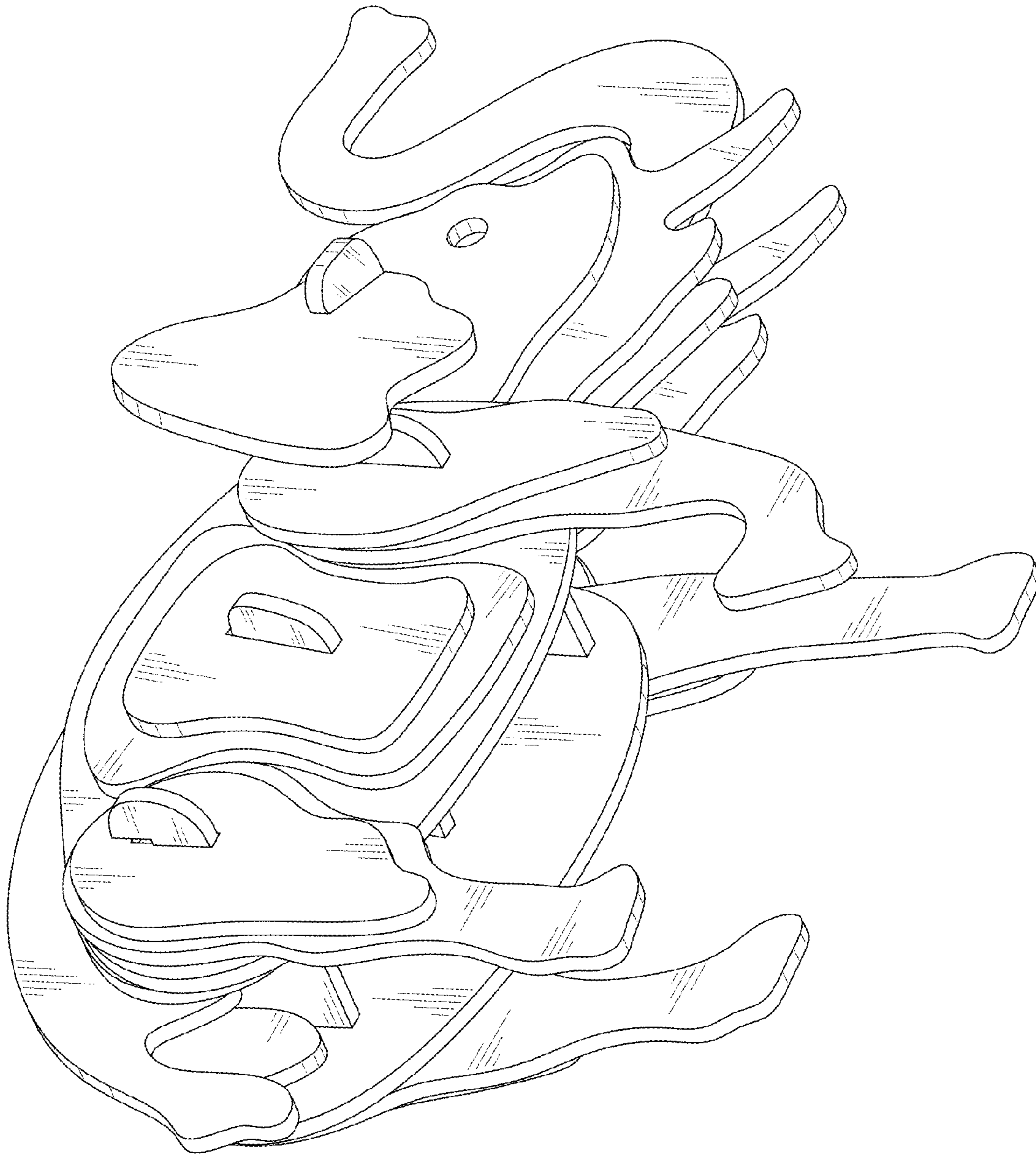


FIG. 2

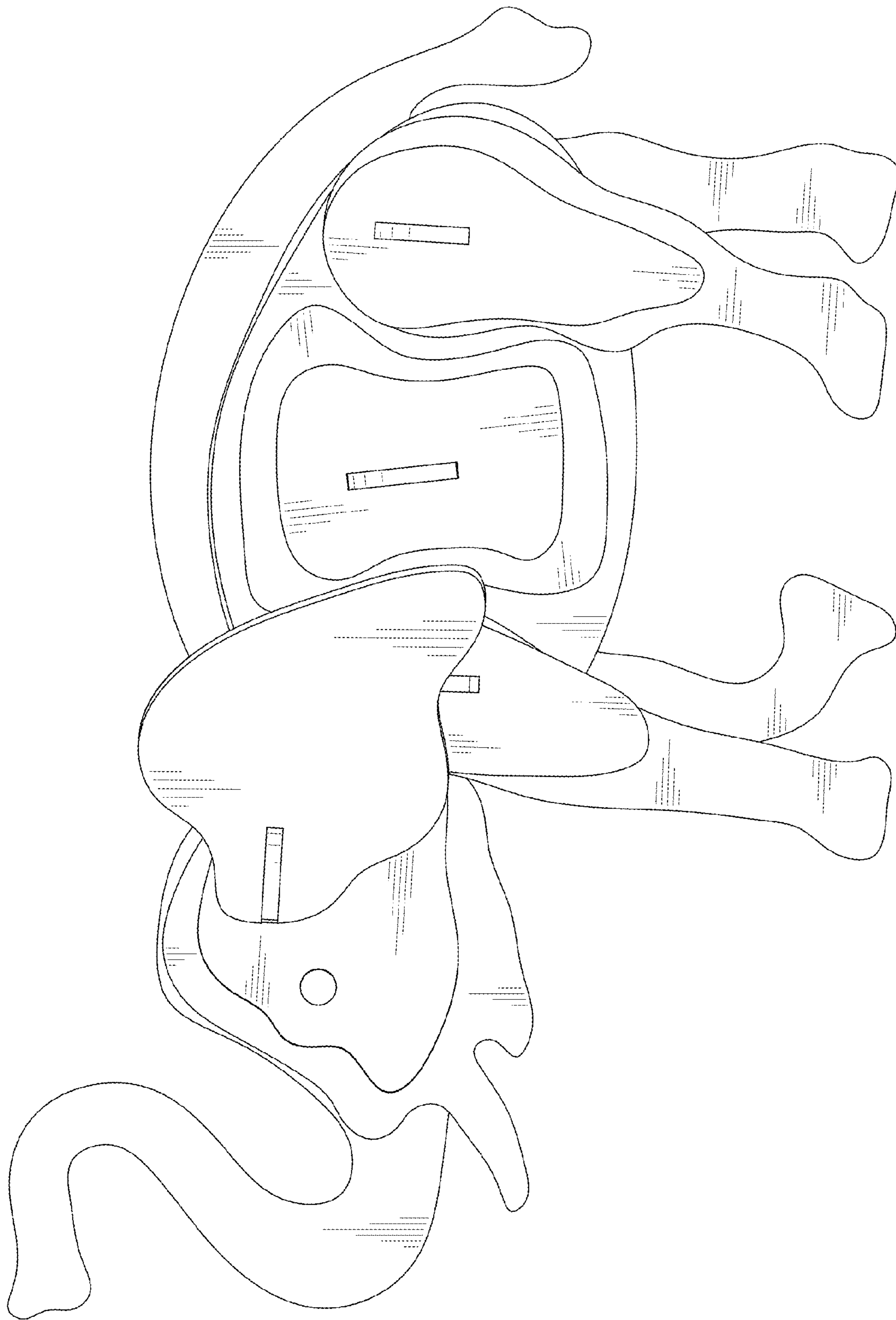


FIG. 3

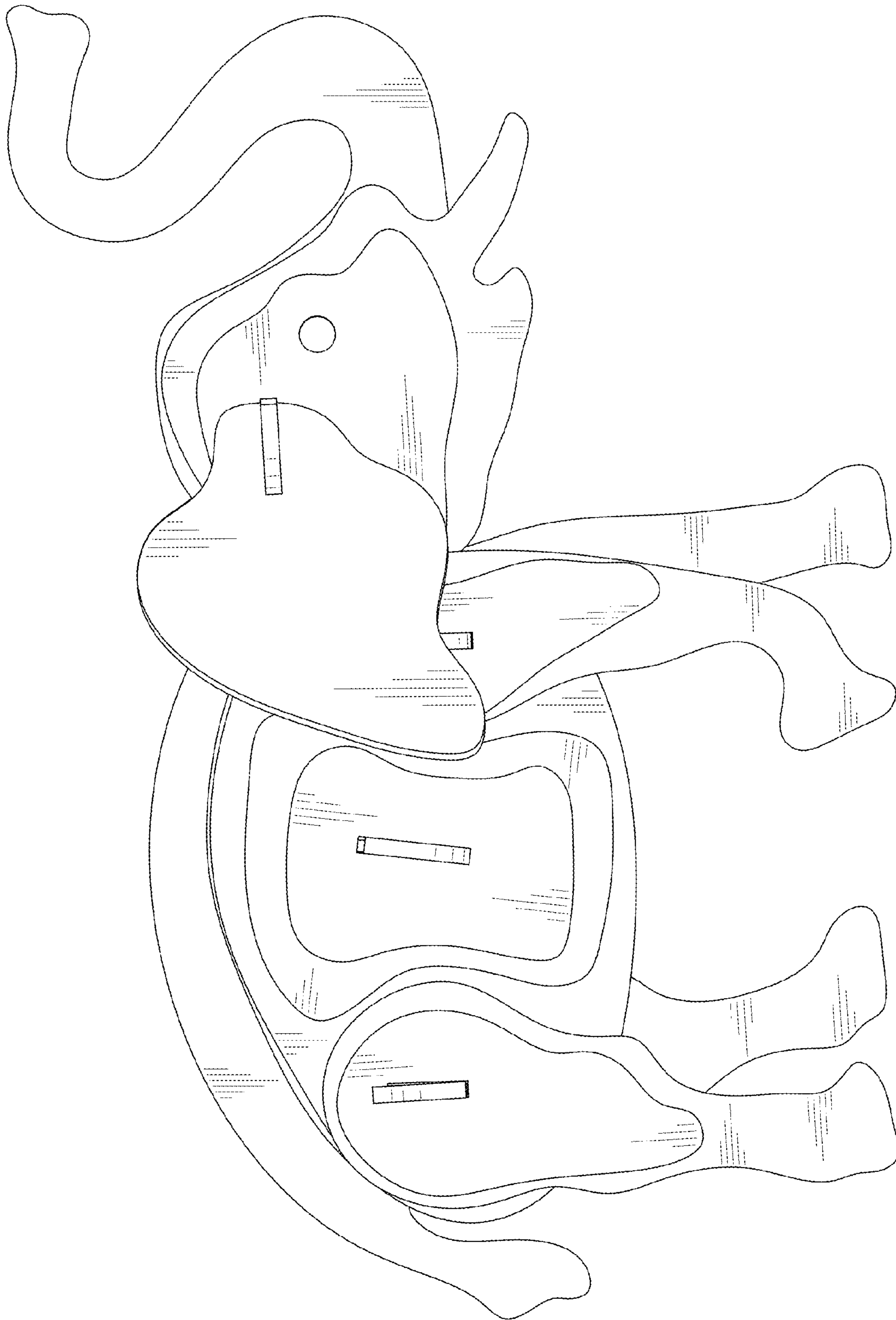


FIG. 4

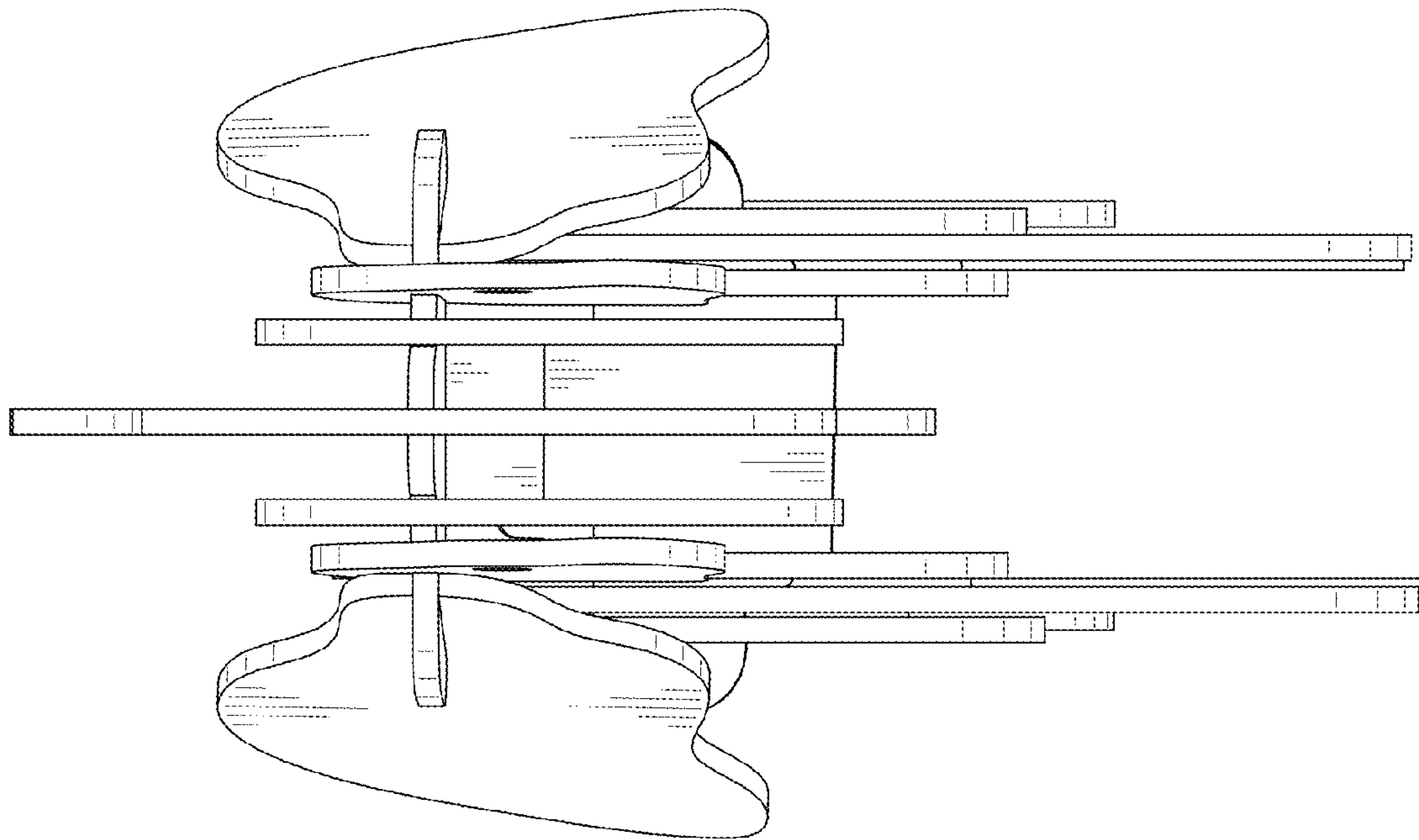


FIG. 5

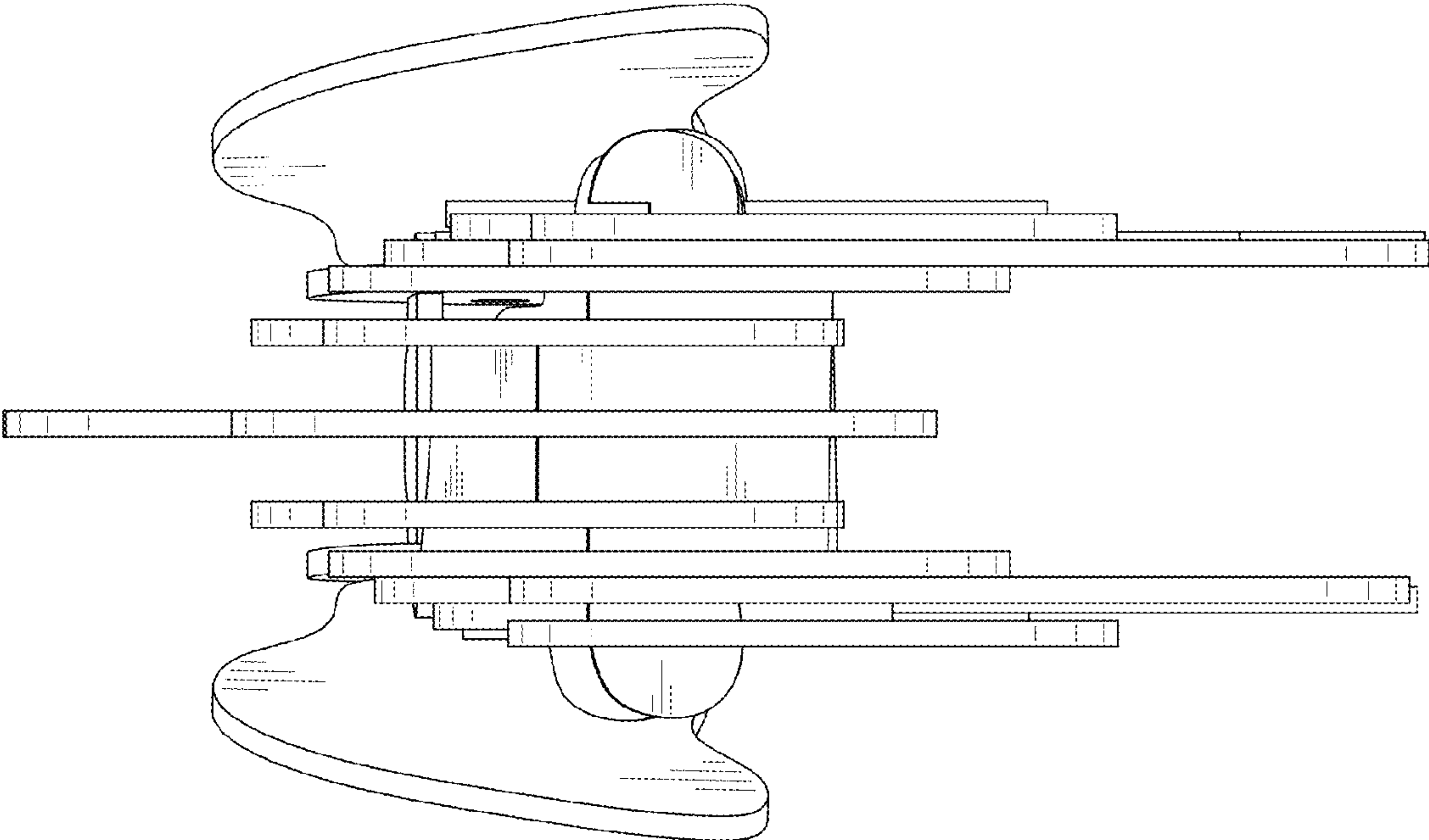


FIG. 6

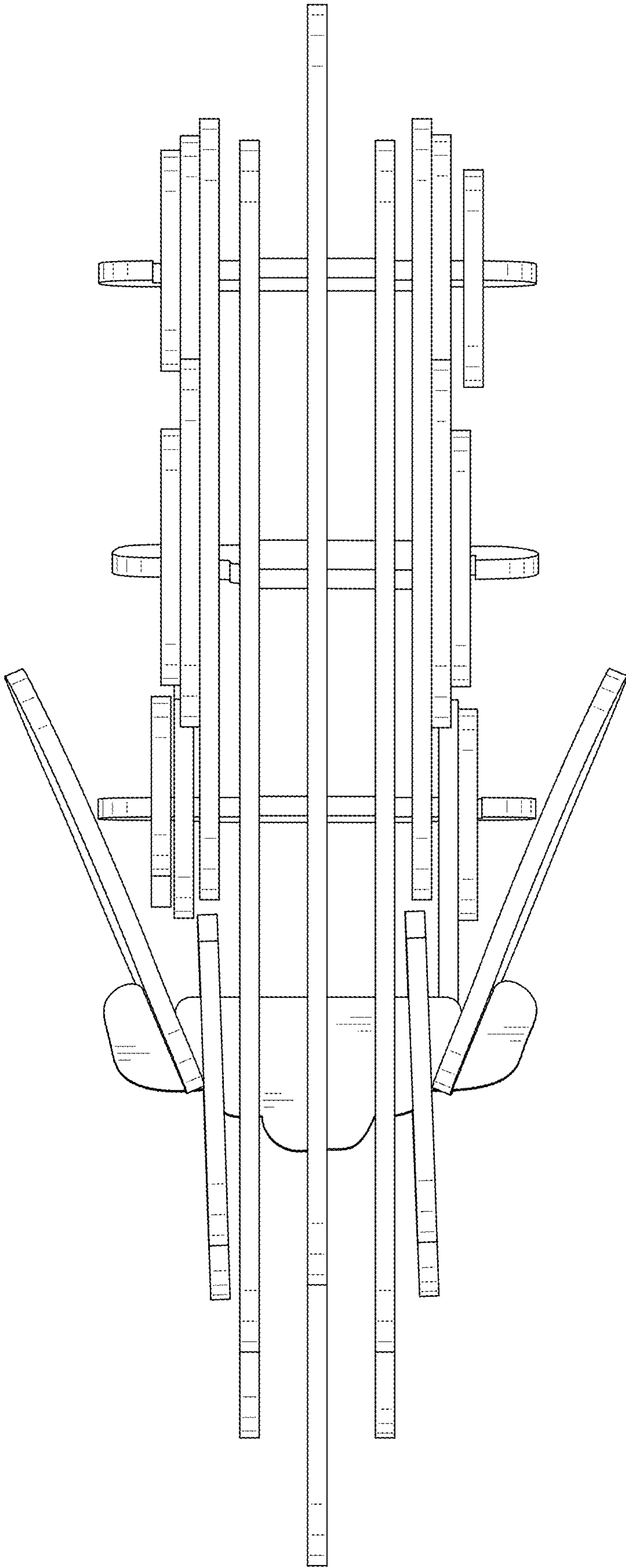


FIG. 7

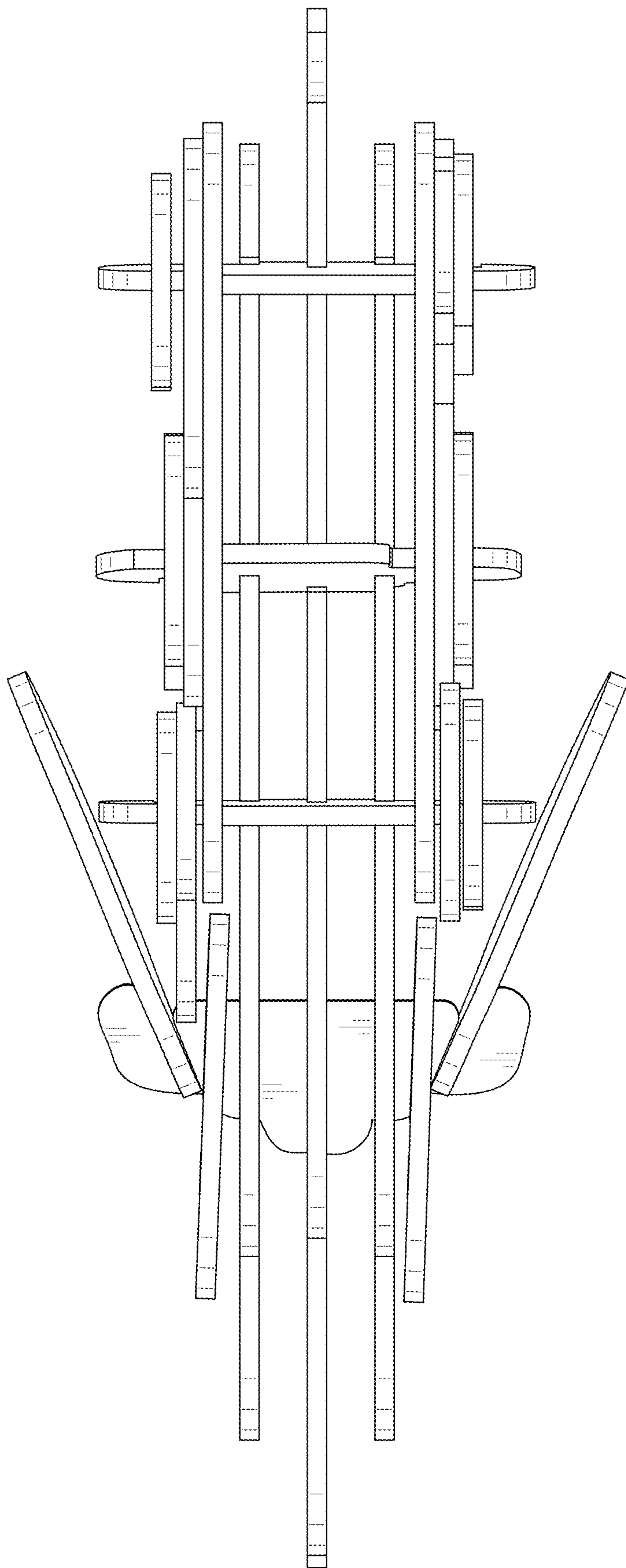


FIG. 8



FIG. 9